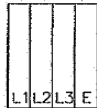
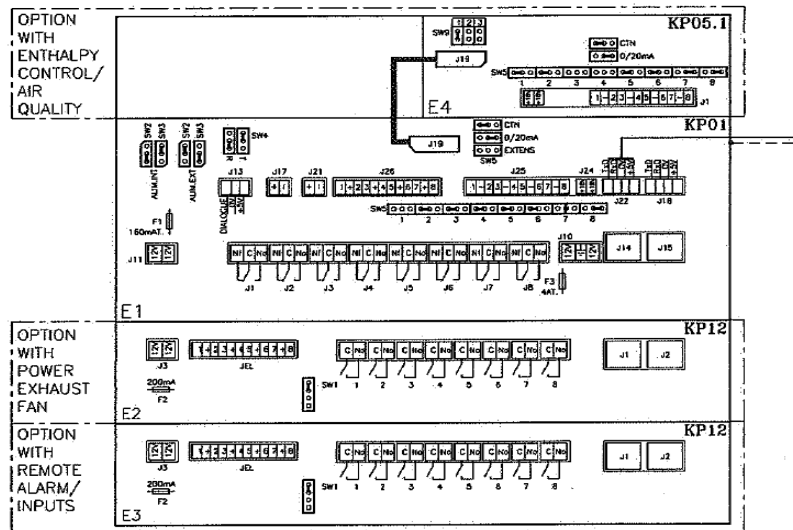
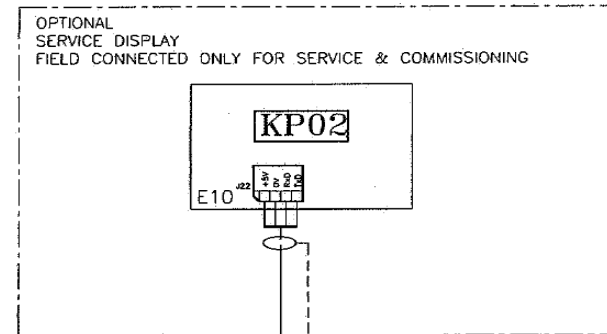
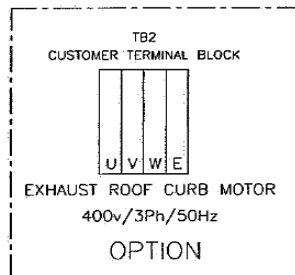
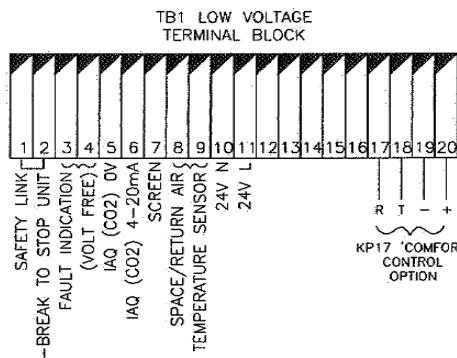


S48
DISCONNECT SWITCH



400v/3Ph/50Hz SUPPLY
MINIMUM SUPPLY RATING:-
30 AMPS/PHASE LG 035
35 AMPS/PHASE LG 040
40 AMPS/PHASE LG 045

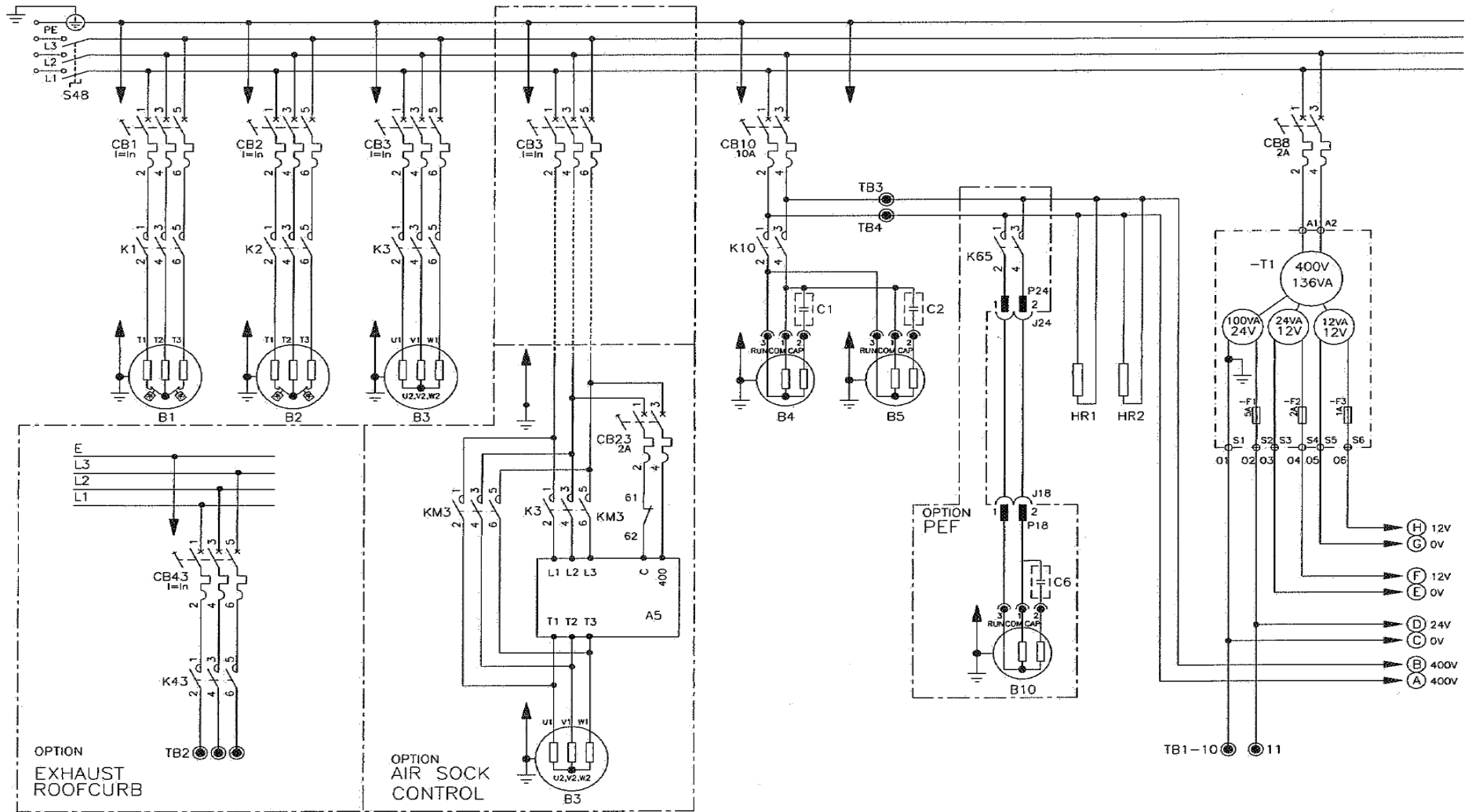


DESCRIPTION- INSTALLER WIRING
LGA/LGK 035/040/045

LENNOX Industries Ltd.
NORTHAMPTON (01604) 599400

MODIFICATIONS-	DRAWN-	APP'V'D-	DATE-
4] EXHUST R/C STARTER	UK01295	A.S.	11-10-02
3] GAS BURNER RESET	UK01227	A.S.	28-05-02
2] LINEA II	UK01115	A.S.	29-04-02

DRG.No. Z803573
1/9



DESCRIPTION- 3 ϕ COMPRESSORS & FANS
LGA/LGK 035/040/045

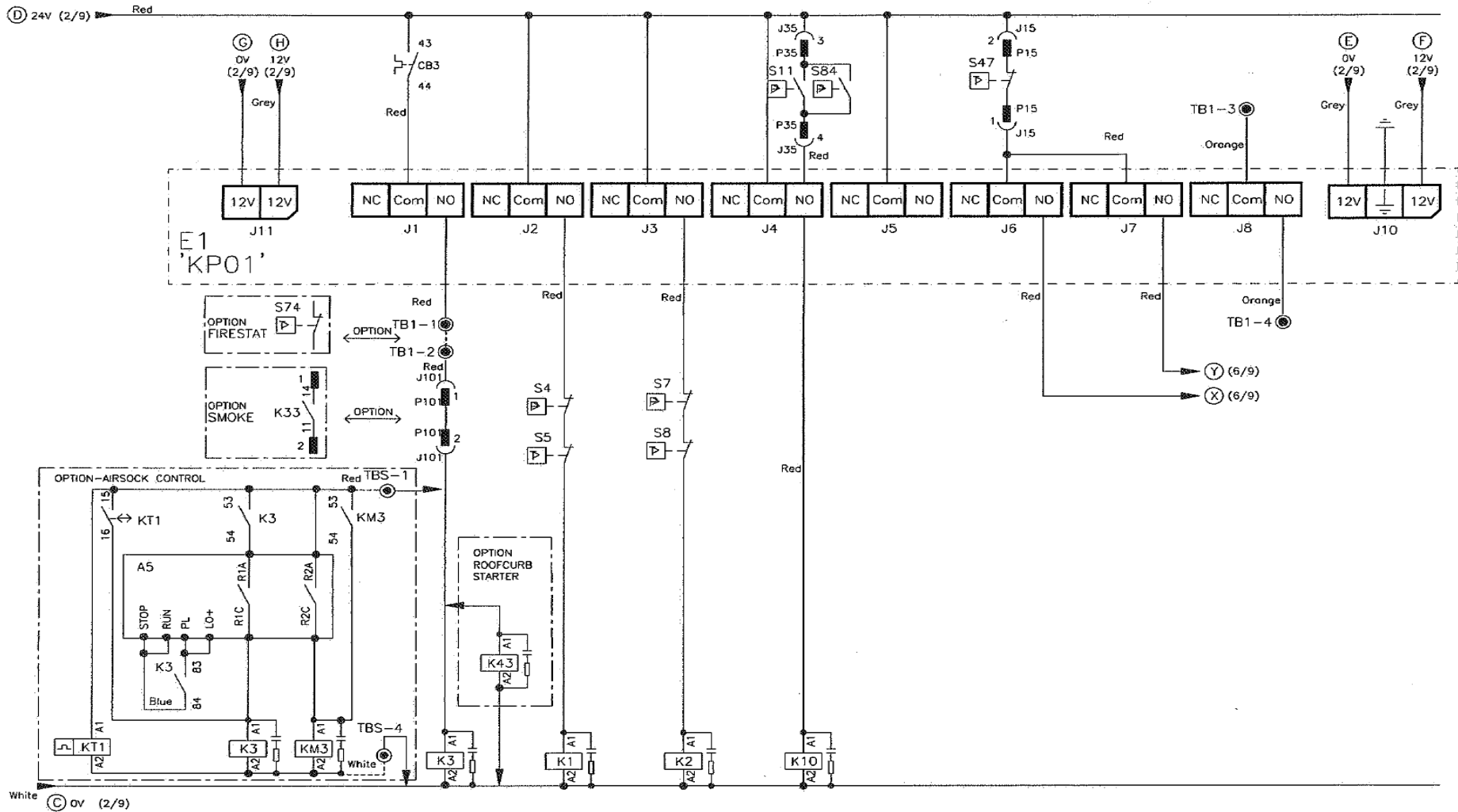
LENNOX Industries Ltd.
NORTHAMPTON (01604) 599400

MODIFICATIONS-

- 4] EXHUST R/C STARTER
- 3] GAS BURNER RESET
- 2] LINEA II

DRAWN-	APP'V'D-	DATE-
A.S.		11-10-02
A.S.		28-05-02
A.S.		29-04-02

DRG.No. Z803573



DESCRIPTION- HEATING AND COOLING CONTROL
LGA/LGK 035/040/045

LENNOX Industries Ltd.
NORTHAMPTON (01604) 599400

MODIFICATIONS-

4] EX-HUST R/C STARTER	UK01295
3] GAS BURNER RESET	UK01227
2] LINEA II	UK0115

DRAWN-

A.S.

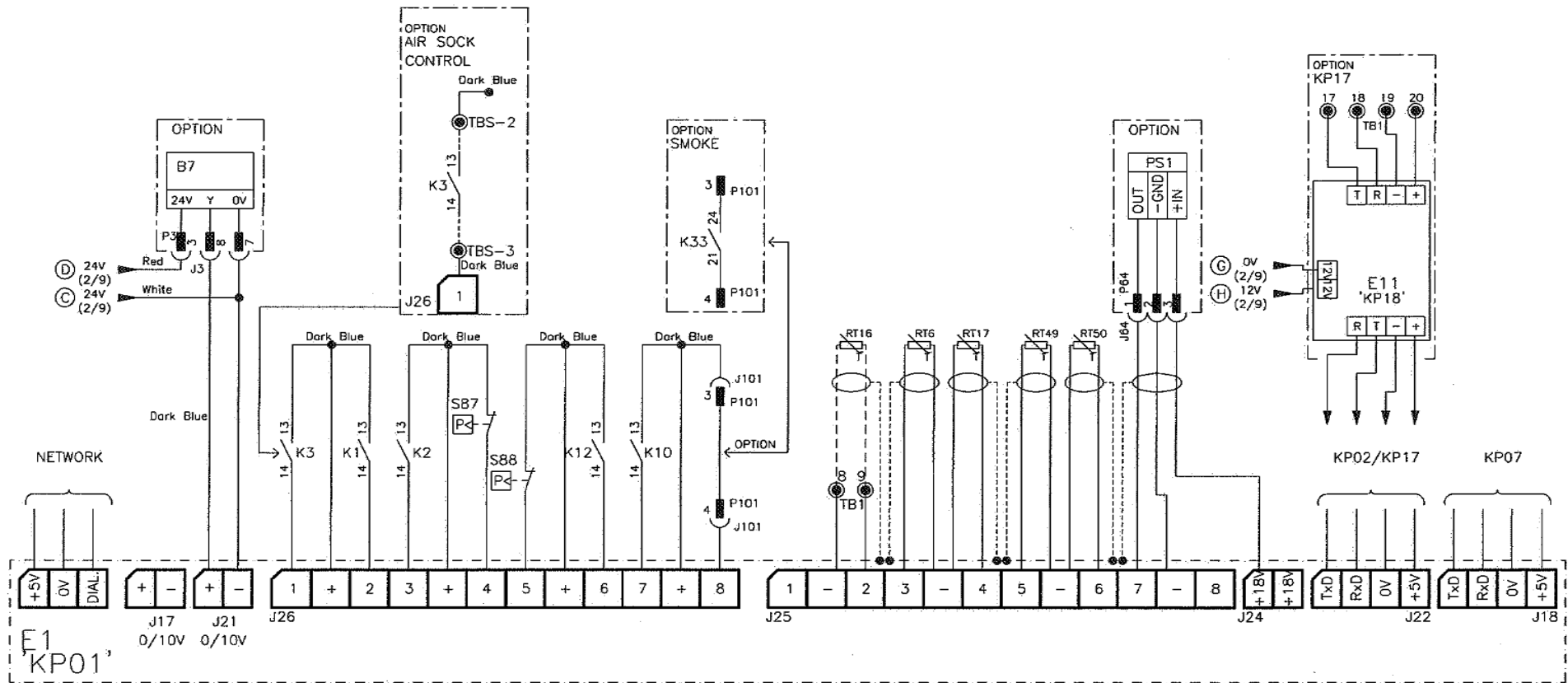
APP'VD-

A.S.

DATE-

11-10-02
28-05-02
29-04-02

DRG.No. Z803573



DESCRIPTION- THERMOSTAT / SENSOR INPUTS
LGA/LGK 035/040/045

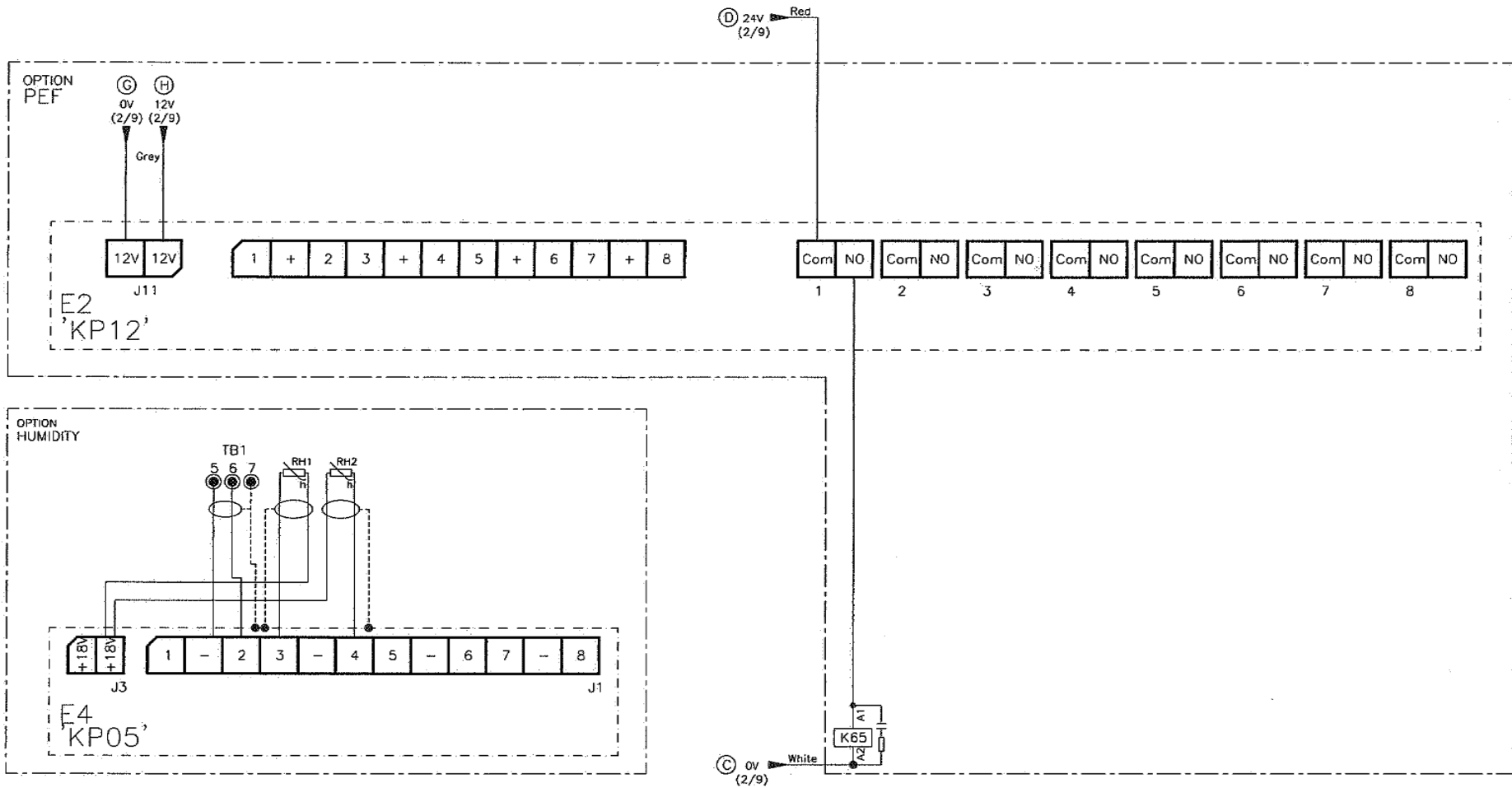
LENNOX Industries Ltd.
NORTHAMPTON (01604) 599400

MODIFICATIONS-

4] EXHUST R/C STARTER	UK01295	A.S.
3] GAS BURNER RESET	UK01227	A.S.
2] LINEA II	UK0115	A.S.

DRAWN-	APP'V'D-	DATE-
		11-10-02
		28-05-02
		29-04-02

DRG.No. Z803573



DESCRIPTION - AUX. CONTROL INPUTS & OUTPUTS
LGA/LGX 035/040/045

LENNOX Industries Ltd.
NORTHAMPTON (01604) 599400

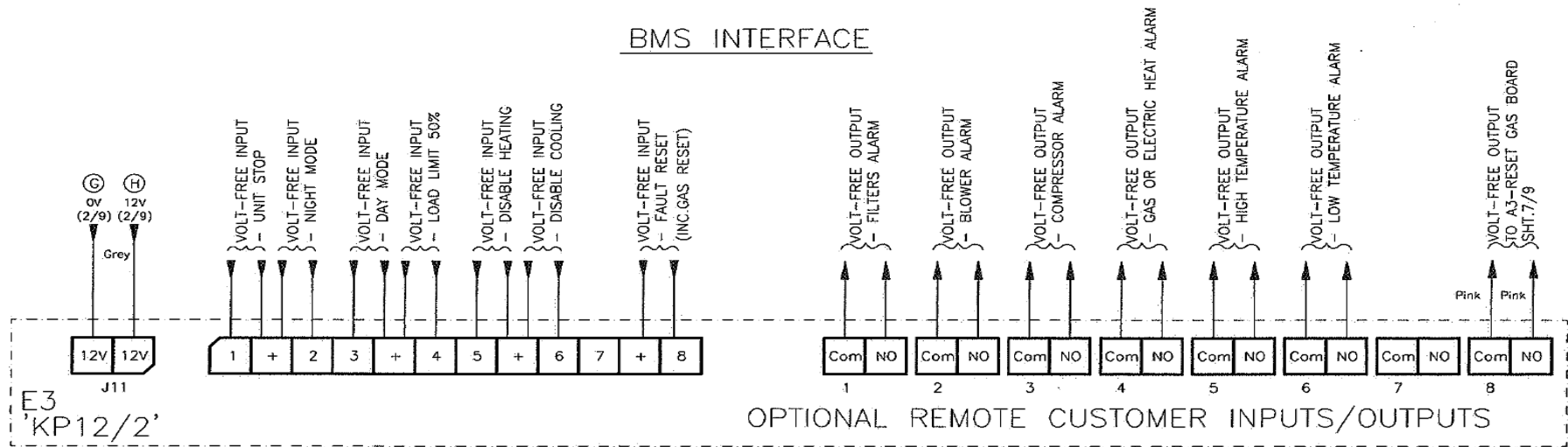
MODIFICATIONS -

4] EXHUST R/C STARTER	UK01295	A.S.
3] GAS BURNER RESET	UK01227	A.S.
2] LINEA II	UK0115	A.S.

DRAWN -	APP'V'D -	DATE -
		11-10-02
		28-05-02
		29-04-02

DRG.No. Z803573

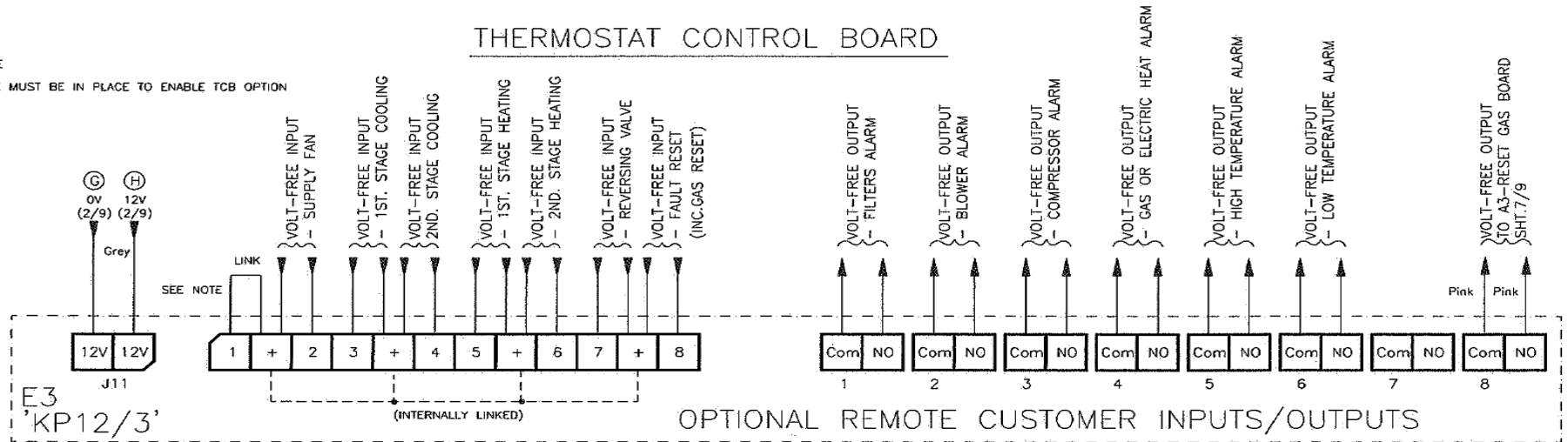
BMS INTERFACE



THERMOSTAT CONTROL BOARD

NOTE

LINK MUST BE IN PLACE TO ENABLE TCB OPTION



DESCRIPTION-
LGA/LGK 035/040/045
KP12-2 BMS & KP12-3 THERMOSTAT
CONTROL BOARDS
INPUTS AND OUTPUTS

LENNOX Industries Ltd.
NORTHAMPTON (01604) 599400

MODIFICATIONS-

- 4] EXHUST R/C STARTER
- 3] GAS BURNER RESET
- 2] LINEA II

DRAWN-

- UK01295
- UK01227
- UK01115

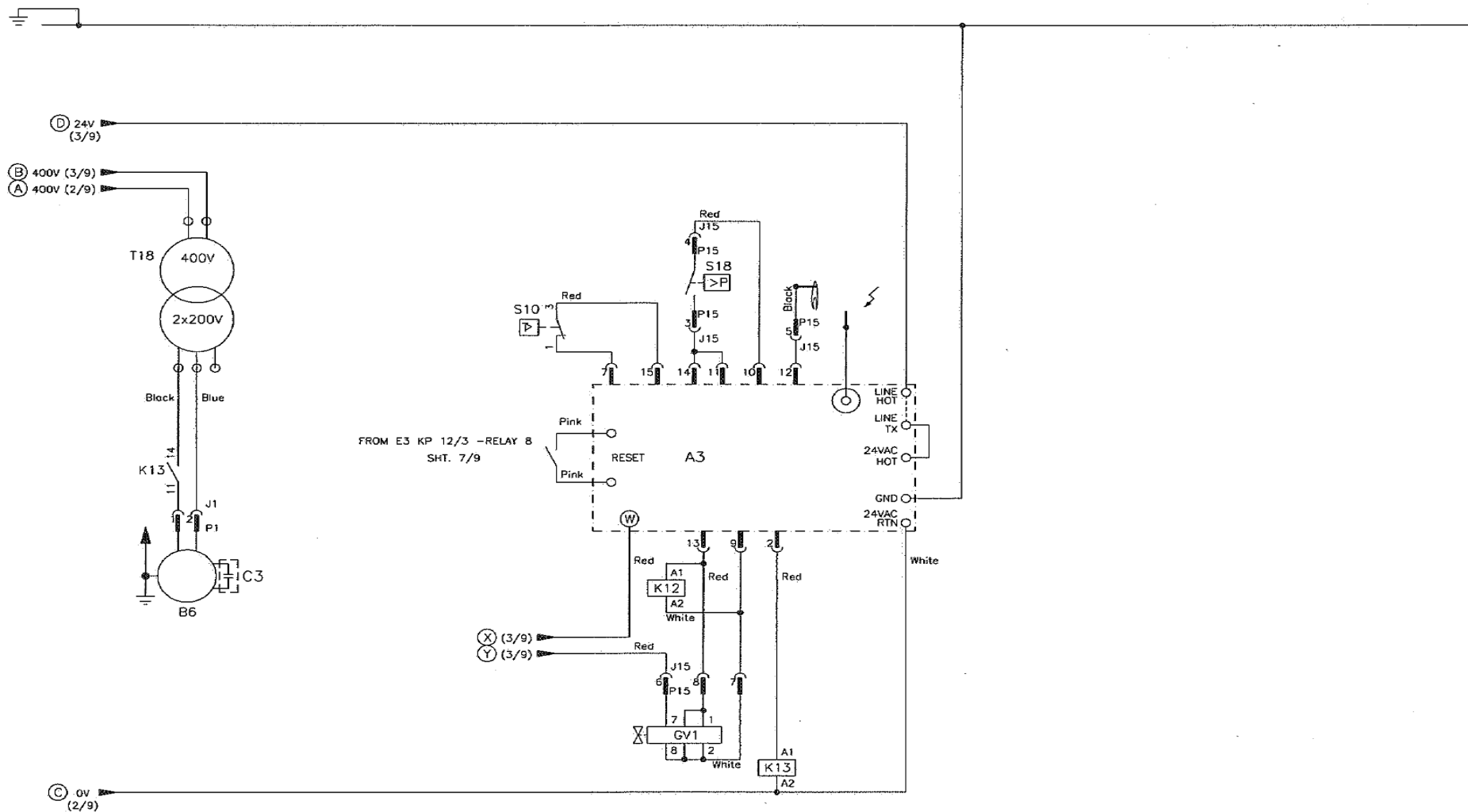
APP'VD-

- A.S.
- A.S.
- A.S.

DATE-

- 11-10-02
- 28-05-02
- 29-04-02

DRG.No. Z803573



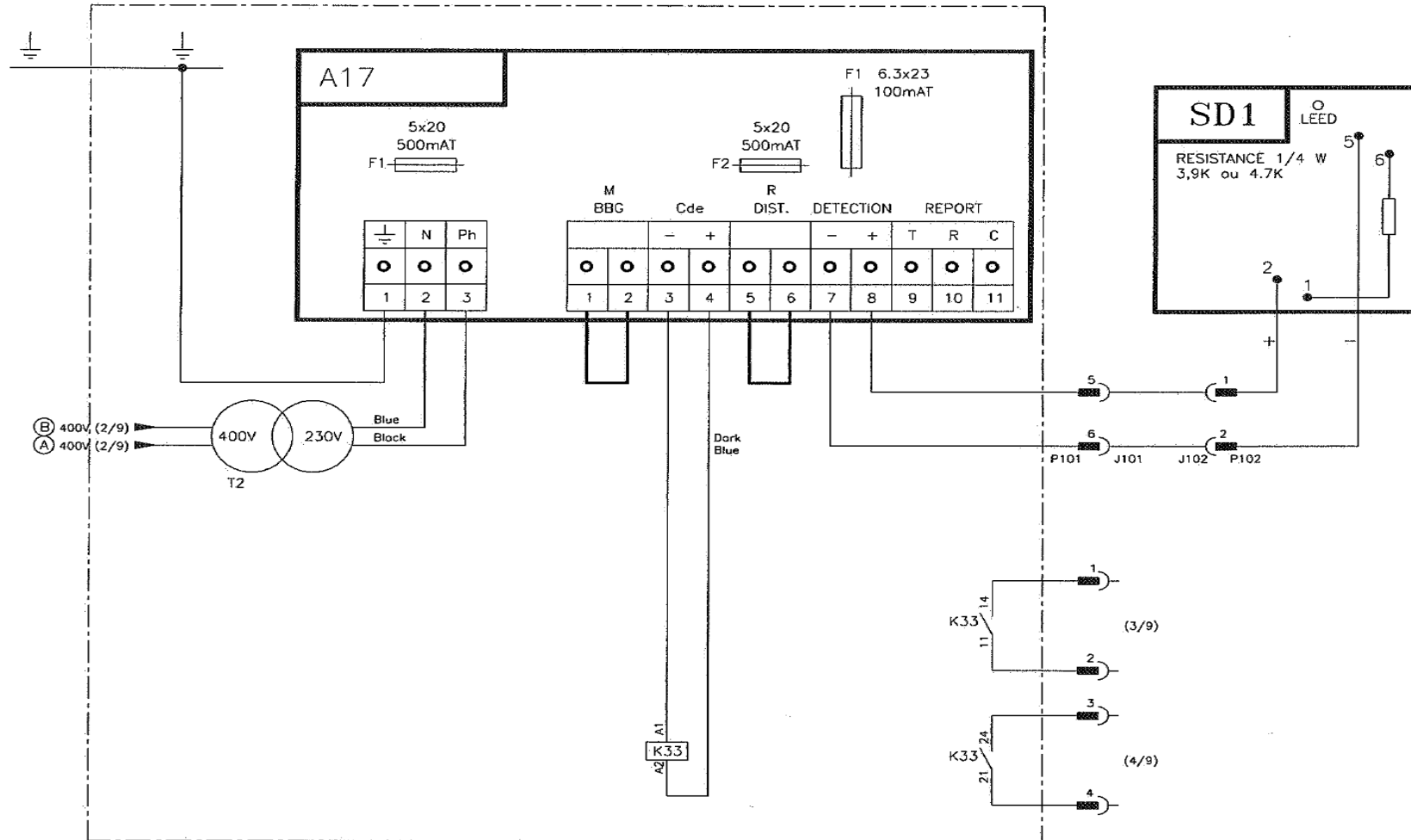
DESCRIPTION - GAS HEAT
LGA/LGK 035/040/045

LENNOX Industries Ltd.
NORTHAMPTON (01604) 599400

MODIFICATIONS-	
4] EXHUST R/C STARTER	UK01295
3] GAS BURNER RESET	UK01227
2] LINEA II	UK0115

DRAWN-	APP'VD-	DATE-
A.S.		11-10-02
A.S.		28-05-02
A.S.		29-04-02

DRG.No. Z803573
7/9



DESCRIPTION- SMOKE OPTION
LGA/LGK 035/040/045

LENNOX Industries Ltd.
NORTHAMPTON (01604) 599400

MODIFICATIONS-		
4] EXHUST R/C STARTER	UK01295	A.S.
3] GAS BURNER RESET	UK01227	A.S.
2] LINEA II	UK0115	A.S.

DRAWN-	APP'V'D-	DATE-
		11-10-02
		28-05-02
		29-04-02

DRG.No. Z803573
8/9