

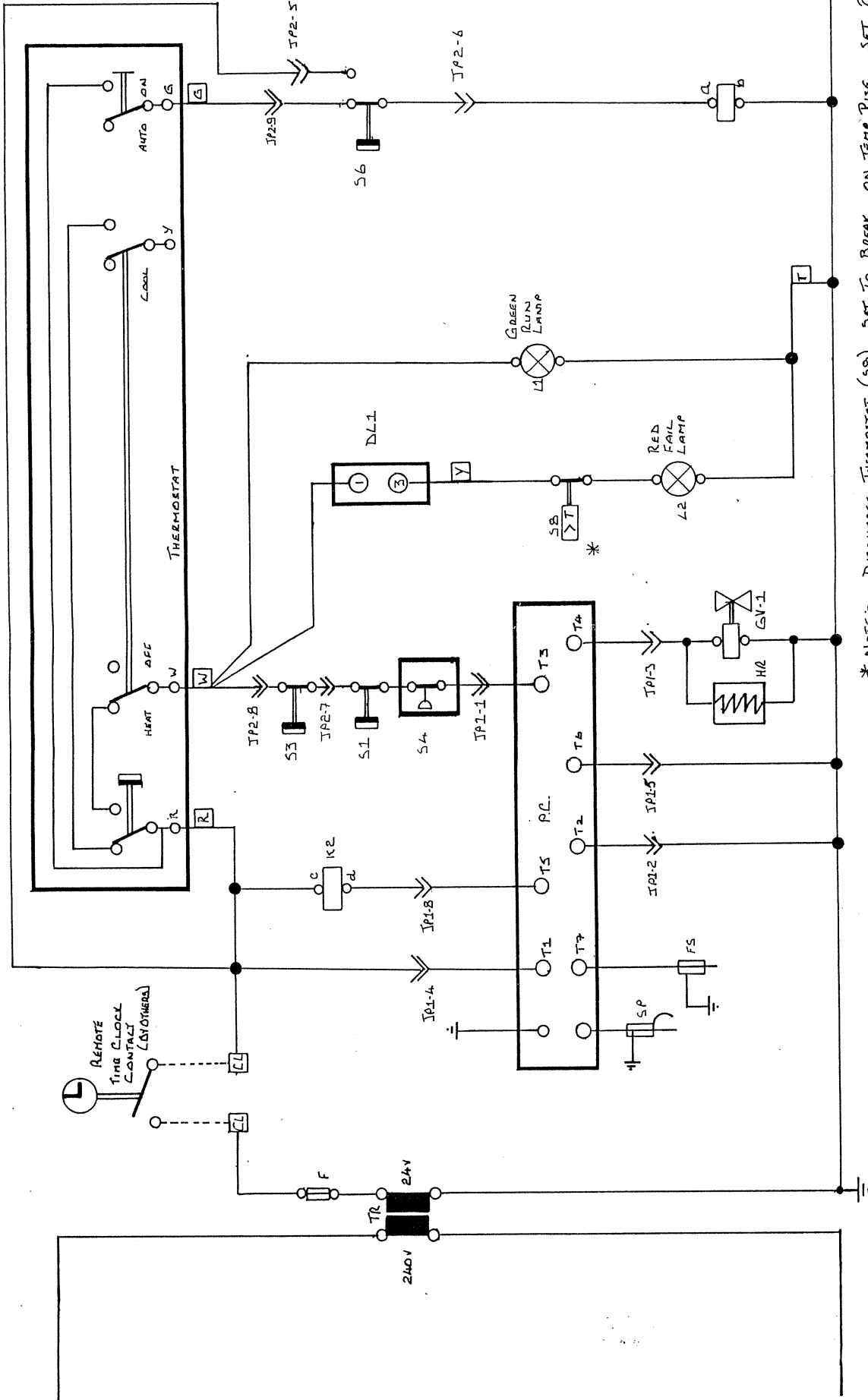
* SEE SHEET 3

G - GREEN RUN LAMP
R - RED FAIL LAMP

LOWERS
LOWERS

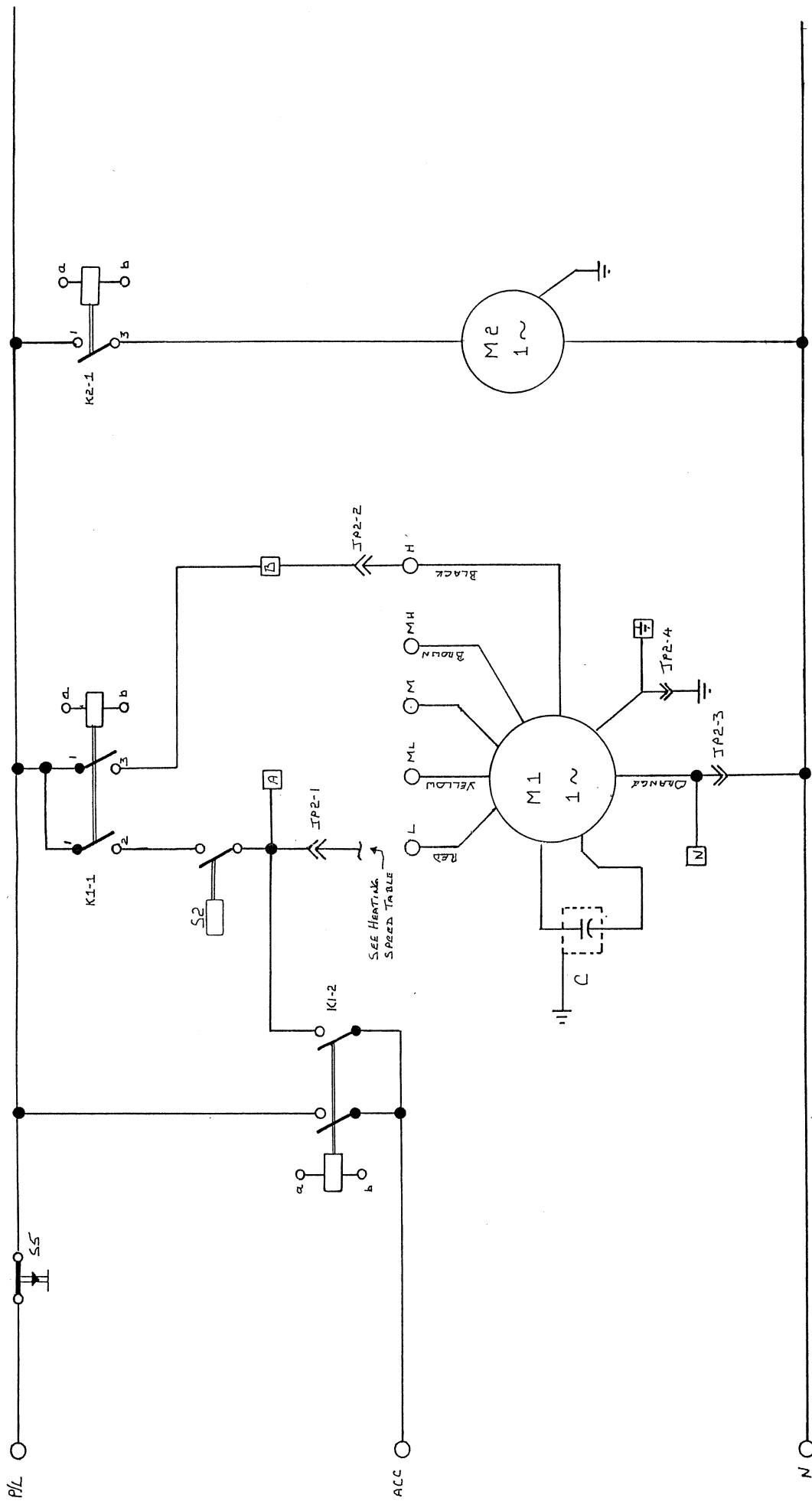
DESCRIPTION - INSTALLED WIRING GSR14 - Q3 - 50 GSR14 - Q4 - 80 GSR14 - Q4 - 100	DRAWN - RS	CH'KD - A.M.	DRG. No. L B W D 2008
	APP'VD - A.M.	DATE - 5-2-87	

LENNOX Industries Ltd.
BASINGSTOKE 461261



* NOTE: DISCHARGE THERMOSTAT (S6) SET TO BREAK ON TEMP RISE. SET @ 30°C.

DESCRIPTION- LOW VOLTAGE CONTROL	DRAWN-R.S.	CHK'D - J.W.	DRG. No. L.B.W.D 200 B BASINGSTOKE 461261 LENNOX Industries Ltd. SUBSET 2 of 4 5556-1085
	APP'VD - J.W.	DATE-5-2-57	



HEATING SPEED TABLE	
LIMIT	MOTOR TAP
65014-03-50	YELLOW
65014-04-80	RED
65014-04-100	RED

DESCRIPTION-
LINE VOLTAGE DOWNER CONTROL.

DRAWN - RS
APPV'D - J.M.

CHK'D - J.M.
DATE - 5-2-57

LENNOX Industries Ltd.
BASINGSTOKE 461261
DRG. NO. LBWD 2008
SHEET 2 OF 4
5556-108

PARTS LIST FOR LBWD 2008

C	Capacitor blower motor	59C9201
DL1	Delay relay	51A9901
F	Fuse 1.5A	216.4601
GV1	Gas valve	28G1401
HR	Heater (Blower thermostat)	
K1	Relay main blower	P-8-10283
K2	Relay purge blower	P-8-10283
L1	Lamp - indicator (Green)	P-8-66137
L2	Lamp - indicator (Red)	P-8-66136
M1	Motor - main blower	79A5201
M2	Motor - purge blower	80C9301
PC	Primary control	41F4601
S1	Limit - thermostat	28G4601
S2	Blower - thermostat	
S3	Limit - auxiliary	28G4501
S4	Switch - pressure	28G1201
S5	Switch - blower interlock	28G1301
S6	Thermostat - auxiliary blower	
S8	Thermostat - discharge set at 30°C	P-8-5837
SP	Spark plug	LB.50569D
TR	Transformer	P-8-649

DESCRIPTION - FUNCTION LISTING	DRAWN - DS	CHK'D -
	APP'VD - JM	DATE - 9-2-87
LENNOX Industries Ltd. BASINGSTOKE 461261		DRG. No. LBWD 2008