

DESCRIPTION -
INSTALLER WIRING
GC516-2753-470-3M
U.K. STANDARD REWORK

LENNOX Industries Ltd.
NORTHAMPTON (0604) 591159

MODIFICATIONS -

I] NEW DRAWING

E.C. 94259 A.W.

DRAWN -

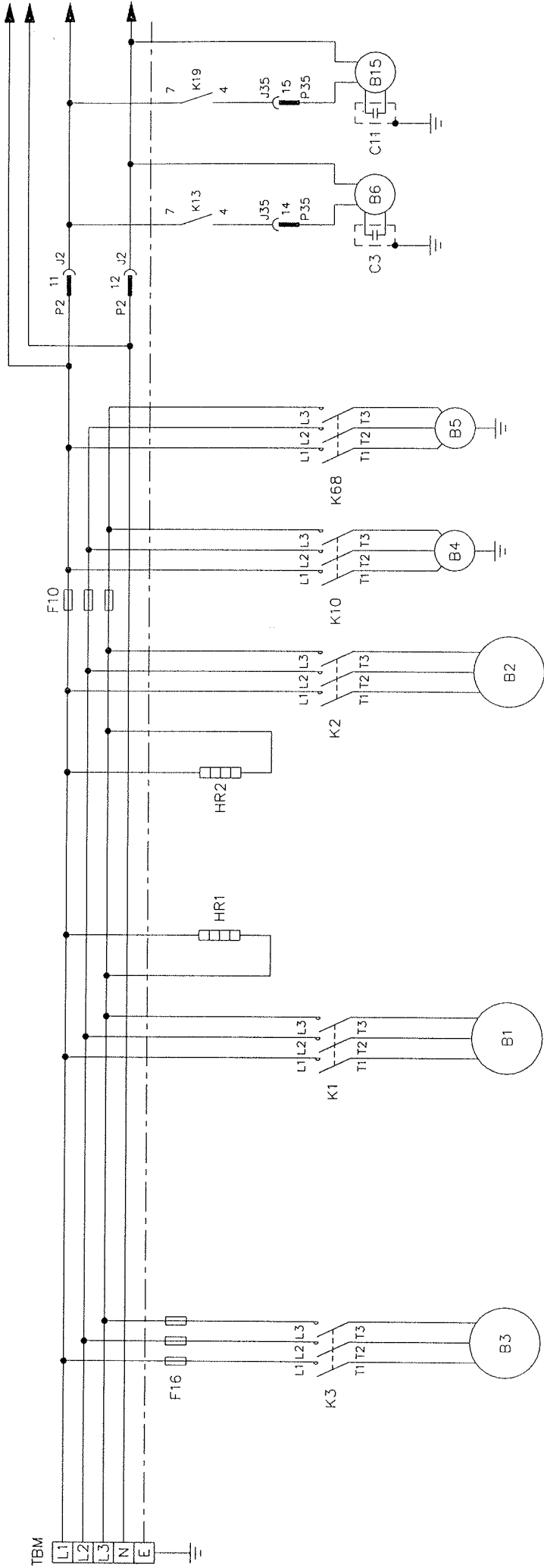
APP'VD -

DATE -

01-07-94
sheet 1 of 6

DRG.No. WD

3080



DESCRIPTION-
 3 Ø COMPRESSORS & FANS
 CCS16-2753-470-3M
 U.K. STANDARD REWORK

LENNOX Industries Ltd.
 NORTHAMPTON (0604) 591159

MODIFICATIONS-

1] NEW DRAWING

DRAWN-

A.W.

APP'VD-

ANN

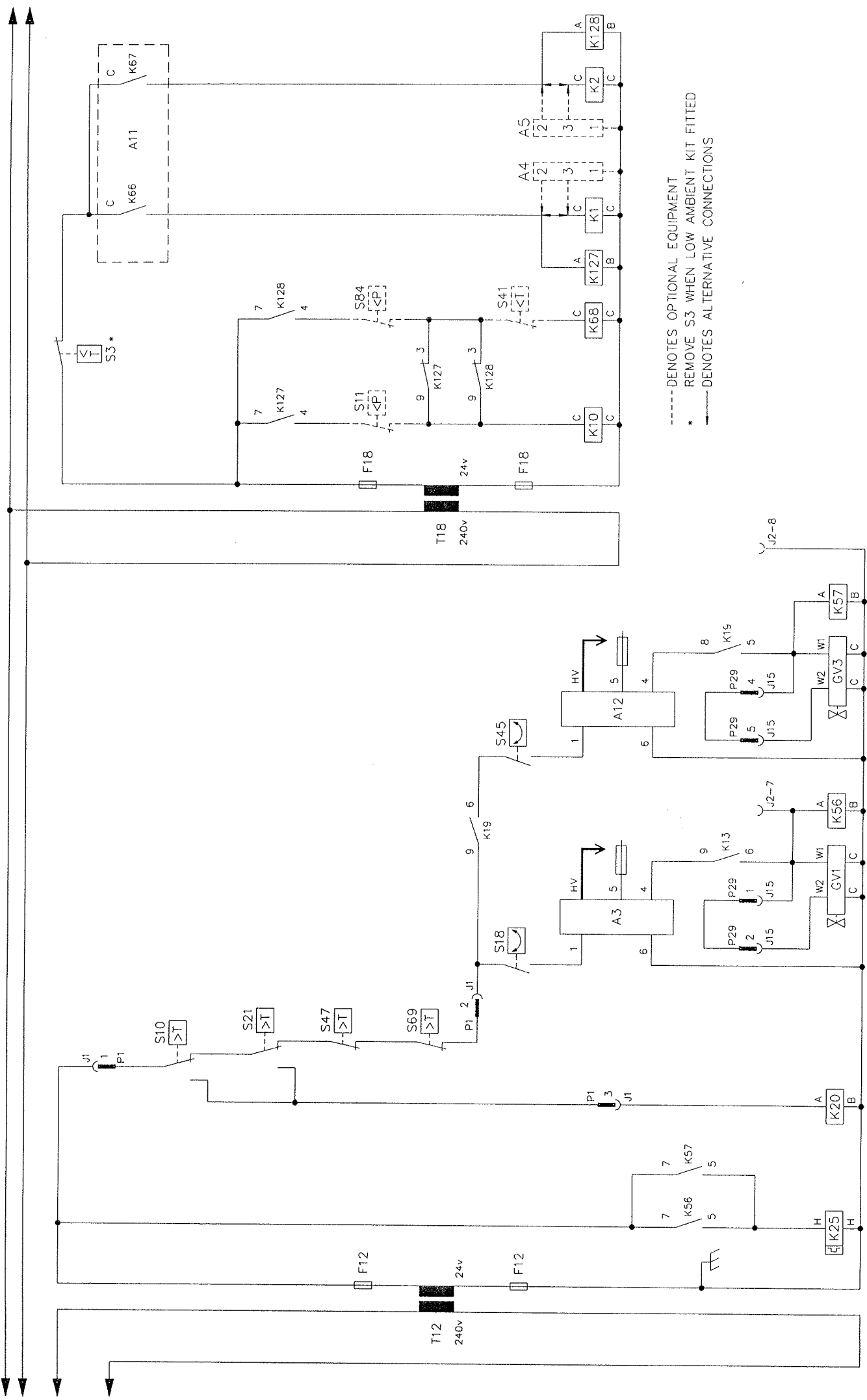
DATE-

01-07-94

DRG.No. WD

3080

sheet 2 of 6



----- DENOTES OPTIONAL EQUIPMENT
 * REMOVE S3 WHEN LOW AMBIENT KIT FITTED
 ----- DENOTES ALTERNATIVE CONNECTIONS

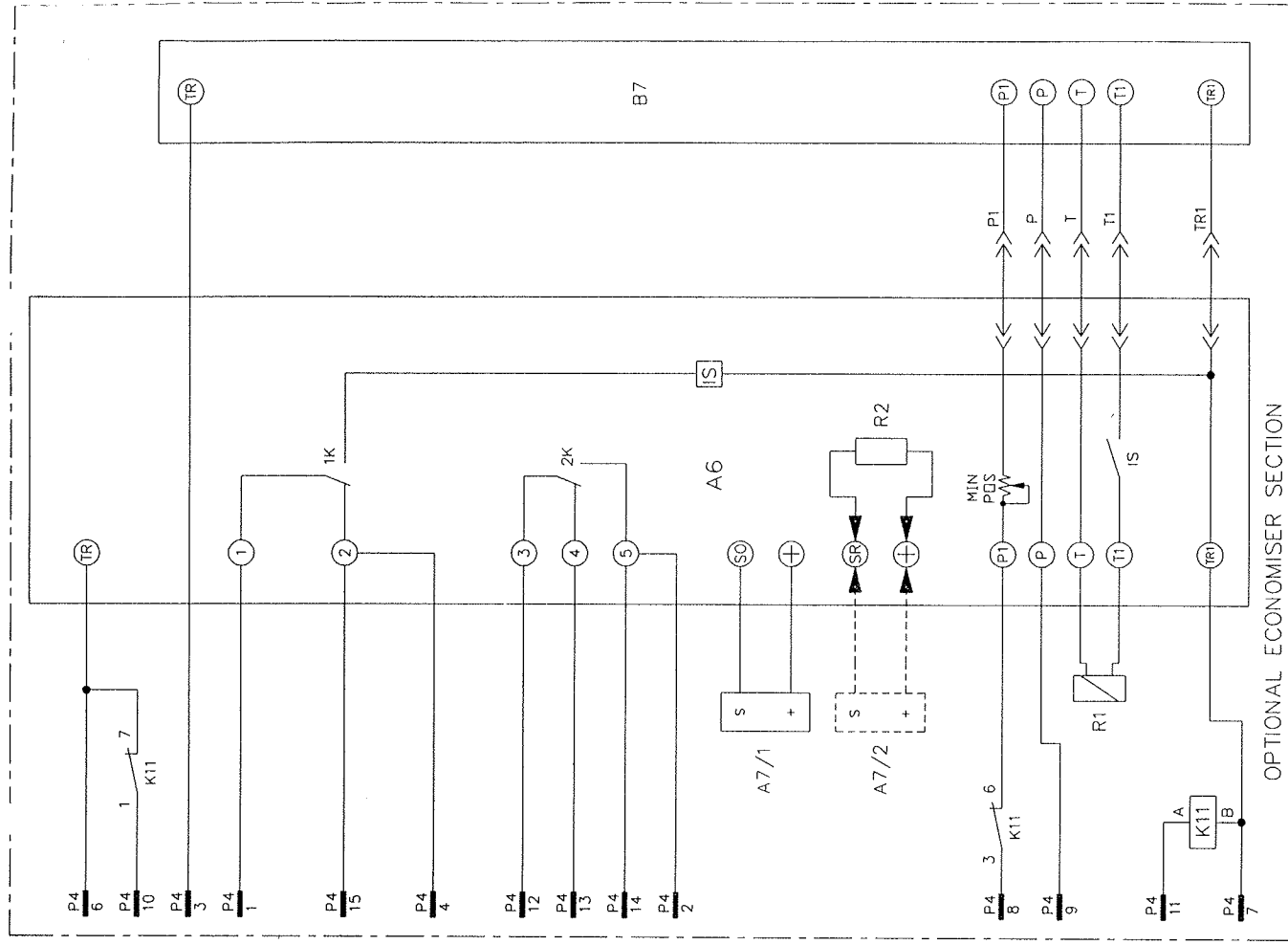
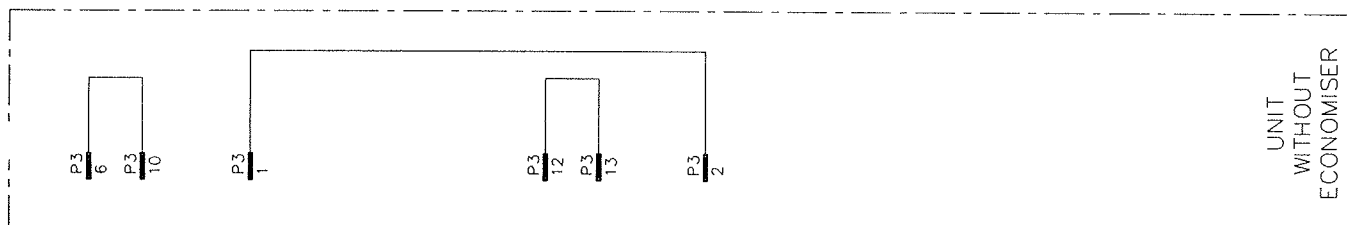
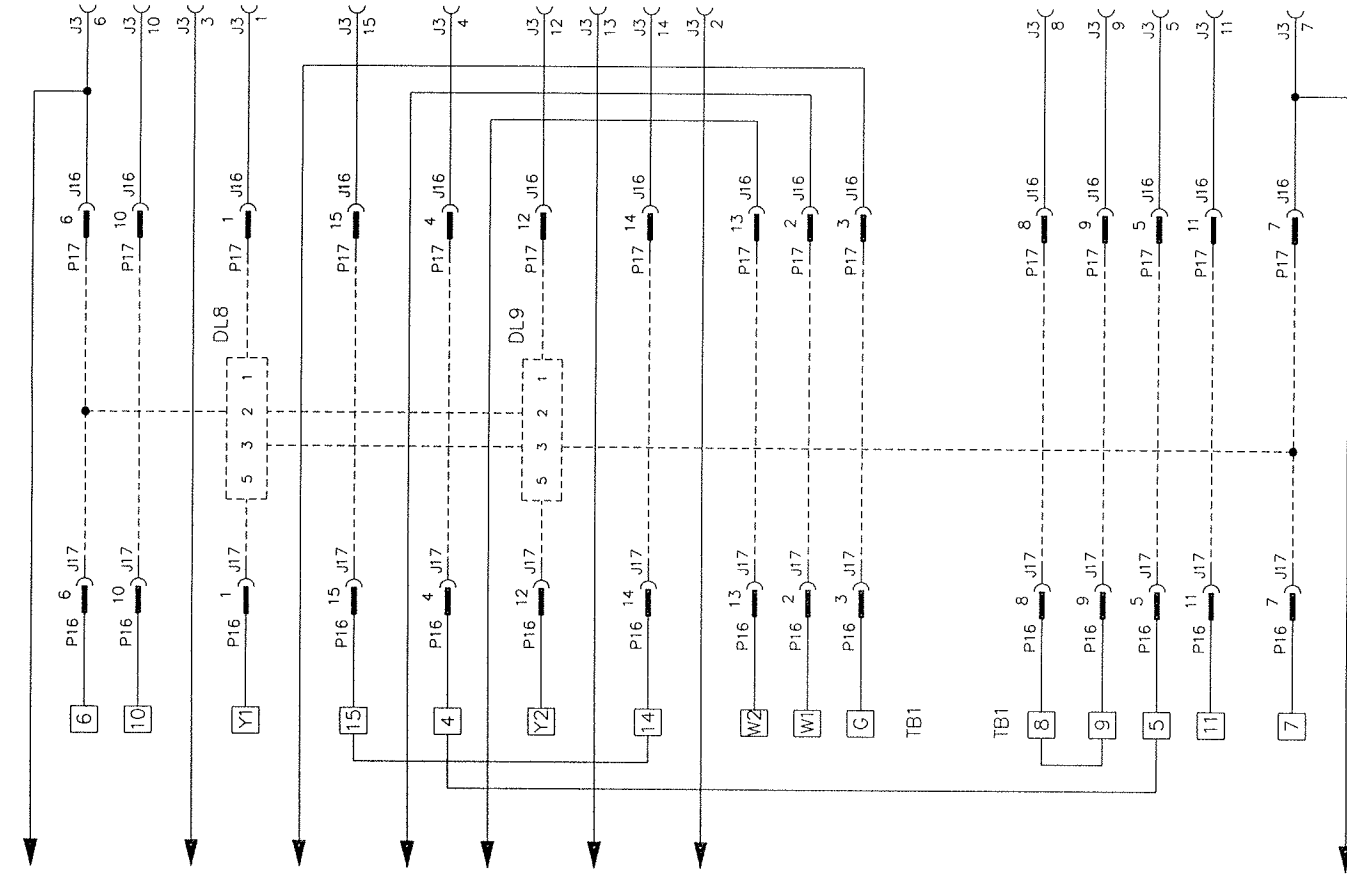
DESCRIPTION-
 BURNER & COMPRESSOR CONTROL
 GC516-2753-470-3M
 U.K. STANDARD REWORK

LENNOX Industries Ltd.
 NORTHAMPTON (0604) 591159

MODIFICATIONS-
 1] NEW DRAWING

DRAWN-	APP'VD-	DATE-
E.C.94259	A.W.	01-07-94

DRG.No. WD 3080
 sheet 3 of 6



DESCRIPTION - CONTROL/ECONOMISER OPTIONS
 GCS16-2753-470-3M
 U.K. STANDARD REWORK

LENNOX Industries Ltd.
 NORTHAMPTON (0604) 591159

MODIFICATIONS-	DRAWN-	APP'VD-	DATE-
1] NEW DRAWING	E.C.94259 J.A.W.		01-07-94

A3	CONTROL BURNER 1st STAGE	36G5701	* S3	THERMOSTAT COMPRESSOR MONITOR	43C3601
A11	RELAY PANEL	LB-61601CA	S4	SWITCH LIMIT HIGH PRESSURE COMP 1	85C8701
A12	CONTROL BURNER 2nd STAGE	36G5701	S7	SWITCH LIMIT HIGH PRESSURE COMP 2	85C8701
B1	COMPRESSOR No 1	58H4201	S10	SWITCH LIMIT PRIMARY GAS	53J3301
B2	COMPRESSOR No 2	58H4201	S18	SWITCH COMBUSTION AIR PROVE No 1	PART OF B6
B3	MOTOR SUPPLY AIR FAN	24C2101	S21	SWITCH LIMIT SECONDARY GAS	98G4601
B4	MOTOR CONDENSER FAN MOTOR No 1	94G0001	S24	SWITCH LOSS OF CHARGE COMP 1	85C2301
B5	MOTOR CONDENSER FAN MOTOR No 2	94G0001	S25	SWITCH LOSS OF CHARGE COMP 2	85C2301
B6	MOTOR COMBUSTION AIR BLOWER No 1	98G4201	S42	OVERLOAD SUPPLY AIR MOTOR	58H5001
B15	MOTOR COMBUSTION AIR BLOWER No 2	98G4201	S45	SWITCH COMBUSTION AIR PROVE No 2	PART OF B15
C3	CAPACITOR COMBUSTION AIR MOTOR No1	PART OF B6	S47	SWITCH LIMIT FLAME ROLLOUT 1st STAGE	98G4701
C11	CAPACITOR COMBUSTION AIR MOTOR No2	PART OF B15	S49	SWITCH FREEZESTAT COMP 1	93G3501
			S50	SWITCH FREEZESTAT COMP 2	93G3501
DL3	DELAY GAS No 2	51A9601	S69	SWITCH LIMIT FLAME ROLLOUT 2nd STAGE	98G4701

F1	FUSE 24v CONTROL (T1)	P-8-65240	T1	TRANSFORMER 24v CONTROL	P-8-65235
F10	FUSES OUTDOOR FAN MOTORS	P-8-65240	T12	TRANSFORMER BURNER CONTROL	P-8-65235
F12	FUSE TRANSFORMER (T12) BURNER CONT	45H0601	T18	TRANSFORMER MOTOR CONTACTORS	P-8-65235
F16	FUSES STAR DELTA STARTER	P-8-65240	TBM	TERMINAL BLOCK MAINS	BE-18078
F18	FUSE TRANSFORMER CONTROL (T18)	45H0701			
		P-8-65240			

G1	VALVE GAS 1st STAGE HEAT	28G2601			
G3	VALVE GAS 2nd STAGE HEAT	28G2601			
HR1	HEATER CRANKCASE COMPRESSOR No 1	72H6701			
HR2	HEATER CRANKCASE COMPRESSOR No 1	72H6701			
K1	CONTACTOR COMPRESSOR No 1	P-8-7736			
K2	CONTACTOR COMPRESSOR No 2	P-8-7736			
K3	CONTACTOR SUPPLY AIR FAN	P-8-7716			
K10	CONTACTOR CONDENSER FAN MOTOR No 1	P-8-7736			
K13	RELAY COMBUSTION AIR BLOWER	37H9601			
K19	RELAY 2nd STAGE HEAT	37H9701			
K20	RELAY LIMIT BLOWER	39H9901			
K25	RELAY DELAY BLOWER	28G2701			
K46	RELAY BLOWER	PART OF A11			
K49	RELAY 2nd STAGE HEAT	PART OF A11			
K56	RELAY HEAT BLOWER 1	39H9901			
K57	RELAY HEAT BLOWER 2	39H9901			
K66	RELAY 1st STAGE COOL	PART OF A11			
K67	RELAY 2nd STAGE COOL	PART OF A11			
K68	CONTACTOR CONDENSER FAN MOTOR No 2	P-8-7736			
K77	RELAY 1st STAGE HEAT	PART OF A11			
K127	RELAY CONDENSER FAN No 1 START	39H9801			
K128	RELAY CONDENSER FAN No 2 START	39H9801			

OPTIONAL ECONOMISER SECTION: --

A6	CONTROL ENTHALPY	54G4301
A7/1	SENSOR ENTHALPY (OUTDOOR)	54G4401
A7/2	SENSOR ENTHALPY (RETURN) - OPTIONAL	54G4401
B7	ACTUATOR DAMPER	54G4601
K11	RELAY NIGHT SHUTDOWN	20G5201
R1	SENSOR MIXED AIR TEMPERATURE	48G6301
R2	RESISTOR (REMOVE IF A7/2 FITTED)	PART OF A6

CYCLE CONTROL, REMOVE IF TIMED-OFF CONTROL FITTED: --

DL8	CYCLE DELAY COMPRESSOR 1	76C8501
DL9	CYCLE DELAY COMPRESSOR 2	65G7001
K52	RELAY CYCLE CONTROL FAN	13H7801

OPTIONAL TIMED-OFF CONTROLS: --

A4	CONTROL TIMED-OFF COMPRESSOR 1	LB-507098A
A5	CONTROL TIMED-OFF COMPRESSOR 2	LB-507098A

OPTIONAL LOW AMBIENT CONTROL KIT: --

S11	SWITCH PRESSURE LOW AMBIENT 1	P-8-6383
S41	THERMOSTAT LOW AMBIENT	43C7801
S84	SWITCH PRESSURE LOW AMBIENT 2	P-8-6383

* NOTE: REMOVE S3 IF LOW AMBIENT KIT FITTED