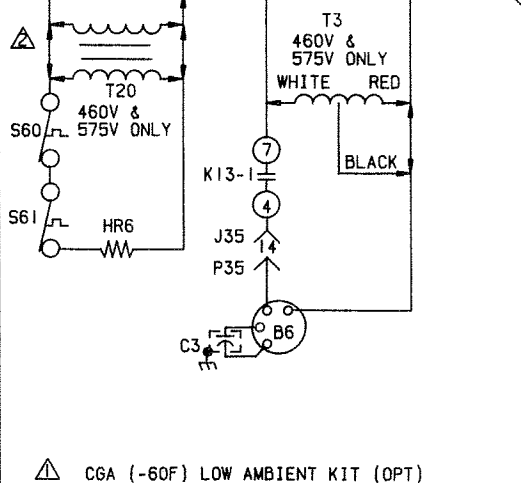


KEY	DESCRIPTION	COMPONENT
A3	CONTROL-BURNER	
B6	MOTOR-COMBUSTION AIR BLOWER	
C3	CAPACITOR-MOTOR, COMB AIR BLOWER	
DL3	DELAY-GAS 2 (180 SEC)	
F12	FUSE-TRANSFORMER, T12	
GV1	VALVE-GAS	
HR6	HEATER-KIT (-60°F)	
J1	JACK-GAS LIMIT	
J2	JACK-ELECTRIC HEAT	
J15	JACK-GAS	
J35	JACK-TEST, HEAT	
J58	JACK-BURNER CONTROL	
K13, -1, 2	RELAY-COMBUSTION AIR BLOWER	
K19, -1	RELAY-STAGE 2, HEAT	
K20, -1	RELAY-LIMIT, BLOWER	
K25, -1	RELAY-BLOWER DELAY	
P1	PLUG-GAS LIMIT	
P15	PLUG-GAS	
P35	PLUG-TEST, HEAT	
P58	PLUG-BURNER CONTROL	
S10	SWITCH-LIMIT, PRIMARY GAS	
S18	SWITCH-COMB AIR BLOWER PROVE	
S21	SWITCH-LIMIT, SEC GAS HEAT	
S47	SWITCH-FLAME ROLLOUT	
S59	SWITCH-LIMIT, LO AMB OFF	
S60	THERMO, -10CL, +20 OP, -60 LOW AMB CONT	
S61	THERMO, +75 OP, -60 LOW AMB CONTROL	
T3	TRANSFORMER-COMBUSTION AIR BLOWER	
T12	TRANSFORMER-GAS CONTROL	
T20	TRANSFORMER-LOW AMBIENT KIT	



△ CGA (-60F) LOW AMBIENT KIT (OPT)

LENNOX Industries Inc.		WIRING DIAGRAM	5/91
COMBINATION UNIT-ROOFTOP			
GAS HEAT FOR GCS16-1853, 2553, 2753, 3003			
HEAT, COOL SECTION AB			
Supersedes Form No. 529,065W		New Form No. 529,211W	
Litho U.S.A.			