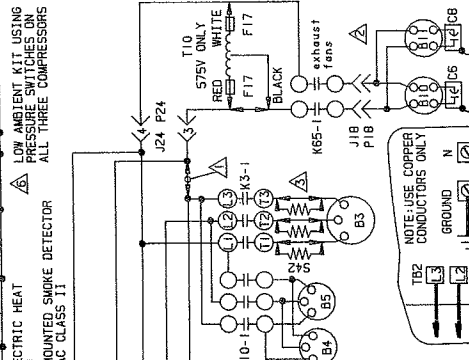
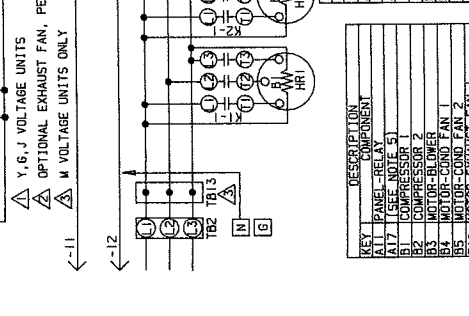


KEY	DESCRIPTION
P2	JACK-RELAY
A11	PANEL-RELAY
A17	FUSE-UNIT
B1	COMPRESSOR 1
B2	COMPRESSOR 2
B3	MOTOR-BLOWER FAN 1
B4	MOTOR-COND FAN 1
B5	MOTOR-EXHAUST FAN 1
B10	MOTOR-EXHAUST FAN 2
B11	MOTOR-EXHAUST FAN 3
B13	COMPRESSOR 3
C6	RELAY-EXHAUST FAN 1
C7	RELAY-EXHAUST FAN 2
DL6	DELAY-READOUT KIT
DL15	RELAY-COMPRESSOR 1
F1	FUSE-TRANSFORMER T1
F16	FUSE-UNIT
F17	FUSE-TRANSFORMER T10
HR2	HEATER-COMPRESSOR 1
HR3	HEATER-COMPRESSOR 2
J18	HEATER-COMPRESSOR 3
J19	RELAY-LOW AMBIENT KIT
P2	PLUG-PED16
P24	PLUG-EXHAUST FAN PED16
P25	PLUG-SP11 (OPTIONAL)
P33	PLUG
P36	PLUG-TEST, COOL
P57	PLUG-FILTER SWITCH
P58	PLUG-NOVA F1W LOW COMP
P59	PLUG-NOVA F1W LOW COMP
S4	SWITCH-LIMIT HI PRESS COMP 1
S7	SWITCH-LIMIT HI PRESS COMP 2
S11	SWITCH-LOSS OF CHARGE FAN
S25	SWITCH-LOSS OF CHARGE COMP 2
S27	SWITCH-FILTER (OPTIONAL)
S28	SWITCH-LIMIT HI PRESS COMP 3
S34	SWITCH-LOSS OF CHARGE COMP 3
S39	SWITCH-EXHAUST FAN, MERCURY
S42	SWITCH-EXHAUST FAN, MERCURY
S43	SWITCH-EXHAUST FAN, MERCURY
S50	SWITCH-FREEZE/STAT COMP 1
S53	SWITCH-FREEZE/STAT COMP 3
S74	SWITCH-FREEZE/STAT 1
S75	SWITCH-FREEZE/STAT 2
S76	SWITCH-FREEZE/STAT 3
S77	SWITCH-FREEZE/STAT 4
S78	SWITCH-FREEZE/STAT 5
T10	TRANSFORMER-CONTROL
T15	TRANSFORMER-EXHAUST FAN
T16	TERMINAL STRIP-UNIT
T17	TERMINAL STRIP-UNIT (OPTIONAL)
T18	TERMINAL STRIP-POWER-DISTIB



KEY	DESCRIPTION
J24	JACK-EXHAUST FAN, PED16
J25	JACK-SP11
J33	JACK-NO HEAT, CHA
J34	JACK-TEST, COOL
J36	JACK-TEST, COOL
J37	CONTACTOR-COMPRESSOR 1
K2-1, 2	CONTACTOR-COMPRESSOR 2
K3-1	CONTACTOR-BLOWER
K10-1	CONTACTOR-COND FAN
K14-1	CONTACTOR-COMPRESSOR 3
K28-1	RELAY-CURRENT SENSING (OPT)
K48-1	RELAY-BLOWER
K49-1	RELAY-HEAT 2
K59-1	RELAY-LOW AMBIENT KIT
K65-1	RELAY-EXHAUST FAN
K66-1	RELAY-STAGE 2, COOL
K77-1	RELAY-HEAT 1
K118-1	RELAY-LOW AMBIENT KIT
K119-1	RELAY-LOW AMBIENT KIT
P2	PLUG-HEAT



LENNOX Manufacturing Inc.

WIRING DIAGRAM 7/92

COMBINATION-PACKAGED/ROOFTOP

GCS16-1853-1, 2, 3-Y, 6, J

CHA16-1853-1, 2, 3-Y, 6, J, M

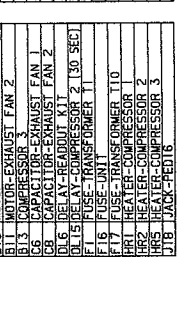
COOLING SECTION B9

Sheet No. 529, 423W

© 1982 Lennox Industries Inc. Litho U.S.A.

LETTER	VOLTAGE
Y	208-230/60/3
6	460/575/60/3
J	460/575/60/3
M	380-420/50/3

KEY	DESCRIPTION
J24	JACK-EXHAUST FAN, PED16
J25	JACK-SP11
J33	JACK-NO HEAT, CHA
J34	JACK-TEST, COOL
J36	JACK-TEST, COOL
J37	CONTACTOR-COMPRESSOR 1
K2-1, 2	CONTACTOR-COMPRESSOR 2
K3-1	CONTACTOR-BLOWER
K10-1	CONTACTOR-COND FAN
K14-1	CONTACTOR-COMPRESSOR 3
K28-1	RELAY-CURRENT SENSING (OPT)
K48-1	RELAY-BLOWER
K49-1	RELAY-HEAT 2
K59-1	RELAY-LOW AMBIENT KIT
K65-1	RELAY-EXHAUST FAN
K66-1	RELAY-STAGE 2, COOL
K77-1	RELAY-HEAT 1
K118-1	RELAY-LOW AMBIENT KIT
K119-1	RELAY-LOW AMBIENT KIT
P2	PLUG-HEAT



WARNING-ELECTRIC SHOCK HAZARD. CAN CAUSE INJURY OR DEATH. UNIT MUST BE GROUNDED IN ACCORDANCE WITH NATIONAL AND LOCAL CODES.

IF ANY WIRE IN THIS APPLIANCE IS REPLACED, IT MUST BE REPLACED WITH WIRE OF LIKE SIZE, RATING AND INSULATION THICKNESS.

REFER TO UNIT RATING PLATE FOR MINIMUM CIRCUIT CAPACITY AND MAXIMUM OVERCURRENT PROTECTION SIZE.

DISCONNECT ALL POWER BEFORE SERVICING.

ADJUSTABLE HEAT ANTICIPATION
1ST STAGE HEAT 0.1 AMP
2ND STAGE HEAT 0.4 AMP

--- DENOTES OPTIONAL COMPONENTS

REMOVE JACK J24 WHEN ELECTRIC HEAT IS USED (CHA UNITS ONLY)

CONNECTIONS FOR RELOCATED SMOKE DETECTOR
A17, MAX LOAD 0.1VA 24VAC CLASS 11

LOW AMBIENT KIT USING PRESSURE SWITCHES ON ALL THREE COMPRESSORS

1.6 J VOLTAGE UNITS

OPTIONAL EXHAUST FAN, PED16

M VOLTAGE UNITS ONLY

NOTE-USE COPPER CONDUCTORS ONLY

LINE VOLTAGE FIELD INSTALLED POWER SUPPLY