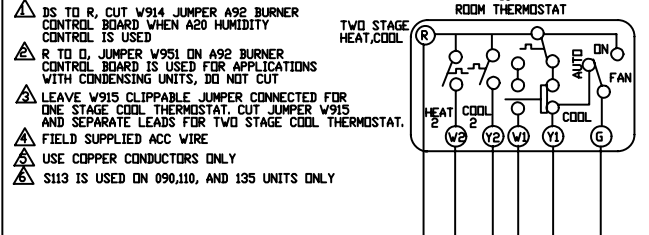


| BLOWER SPEED CHART |                          |      |        |
|--------------------|--------------------------|------|--------|
| UNIT               | FACTORY SHIPPED SETTINGS |      |        |
|                    | HEAT                     | COOL | ADJUST |
| 36B-070            | 2                        | 4    | NORM   |
| 60C-090            | 2                        | 4    | NORM   |
| 60C-110            | 2                        | 4    | NORM   |
| 60D-135            | 2                        | 4    | NORM   |

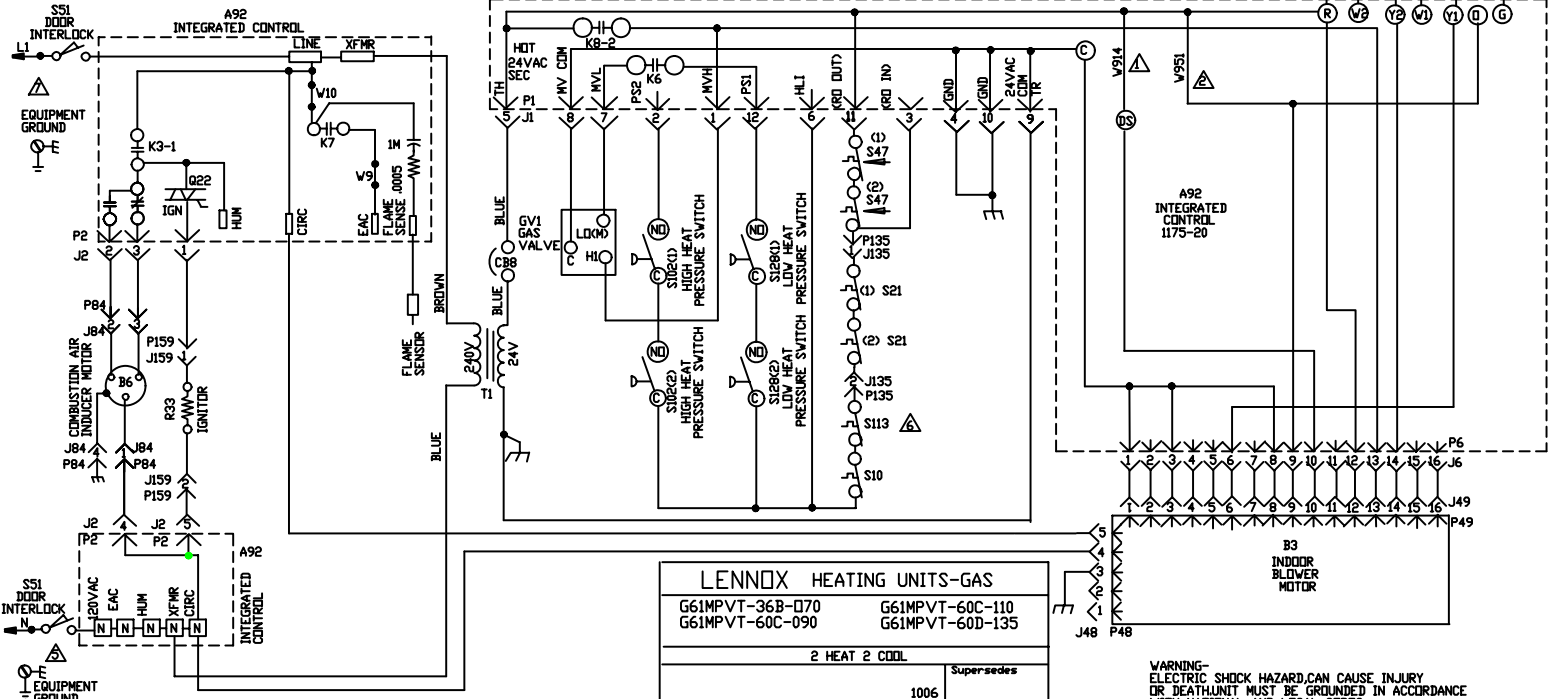
NOTE: SEE INSTALLATION INSTRUCTIONS FOR PROCEDURE TO SET CORRECT BLOWER SPEED FOR SPECIFIC COOLING TONNAGE BEING APPLIED, AND HEATING TEMPERATURE RISE DESIRED.

| JACKPLUG CHART |                                |
|----------------|--------------------------------|
| J.P6           | JACK/PLUG-OUTPUT               |
| J.P48          | JACK/PLUG-MOTOR VARIABLE SPEED |
| J.P49          | JACK/PLUG-MOTOR VARIABLE SPEED |
| J.P1           | JACK/PLUG-BURNER CONTROL       |
| J.P84          | JACK/PLUG-COMB. AIR INDUCER    |
| J.P135         | JACK/PLUG-SECONDARY LIMIT      |
| J.P2           | JACK/PLUG-INDUCER/IGNITOR      |
| J.P159         | JACK/PLUG-IGNITOR              |

THERMOSTAT HEAT ANTICIPATION SETTING  
.65 AMP HONEYWELL VALVE



- ⚠ IS TO R, CUT W914 JUMPER A92 BURNER CONTROL BOARD WHEN A20 HUMIDITY CONTROL IS USED
- ⚠ R TO D, JUMPER W951 ON A92 BURNER CONTROL BOARD IS USED FOR APPLICATIONS WITH CONDENSING UNITS. DO NOT CUT
- ⚠ LEAVE W915 CLIPPABLE JUMPER CONNECTED FOR ONE STAGE COOL THERMOSTAT. CUT JUMPER W915 AND SEPARATE LEADS FOR TWO STAGE COOL THERMOSTAT. FIELD SUPPLIED ACC WIRE
- ⚠ USE COPPER CONDUCTORS ONLY
- ⚠ S113 IS USED ON 090,110, AND 135 UNITS ONLY



**LENNOX HEATING UNITS-GAS**

|                 |                 |
|-----------------|-----------------|
| G61MPVT-36B-070 | G61MPVT-60C-110 |
| G61MPVT-60C-090 | G61MPVT-60D-135 |

**2 HEAT 2 COOL**

|              |            |
|--------------|------------|
| 1006         | Supersedes |
| New Form No. | 535,333W   |

© 2006 Lennox Industries Inc. Litho U.S.A.

**WARNING-**  
ELECTRIC SHOCK HAZARD, CAN CAUSE INJURY OR DEATH. UNIT MUST BE GROUNDED IN ACCORDANCE WITH NATIONAL AND LOCAL CODES.

**NOTE-**  
IF ANY WIRE IN THIS APPLIANCE IS REPLACED, IT MUST BE REPLACED WITH WIRE OF LIKE SIZE, RATING, INSULATION THICKNESS, AND TERMINATION.

— LINE VOLTAGE FIELD INSTALLED  
- - - CLASS II VOLTAGE FIELD WIRING  
← DENOTES OPTIONAL COMPONENTS