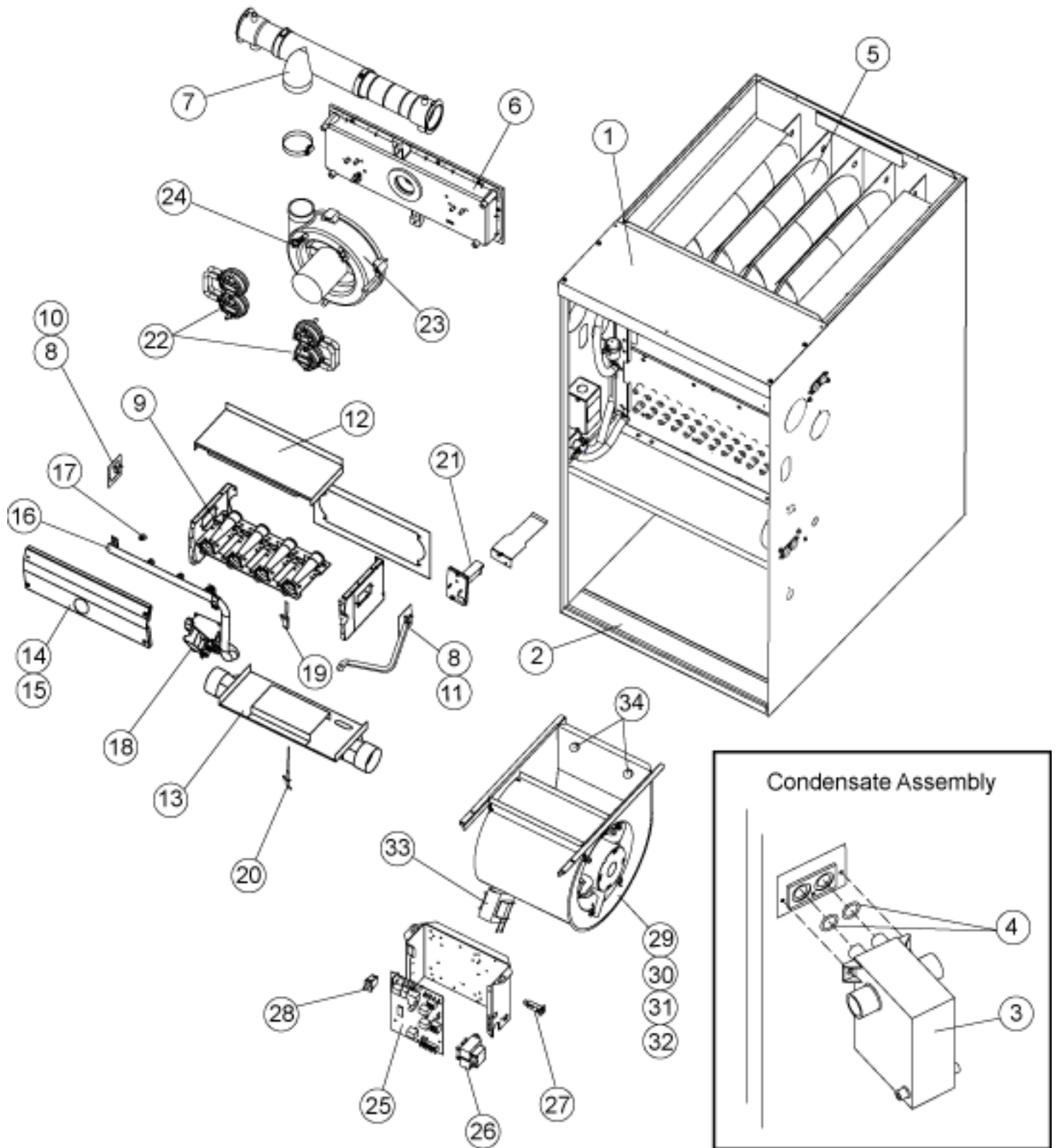


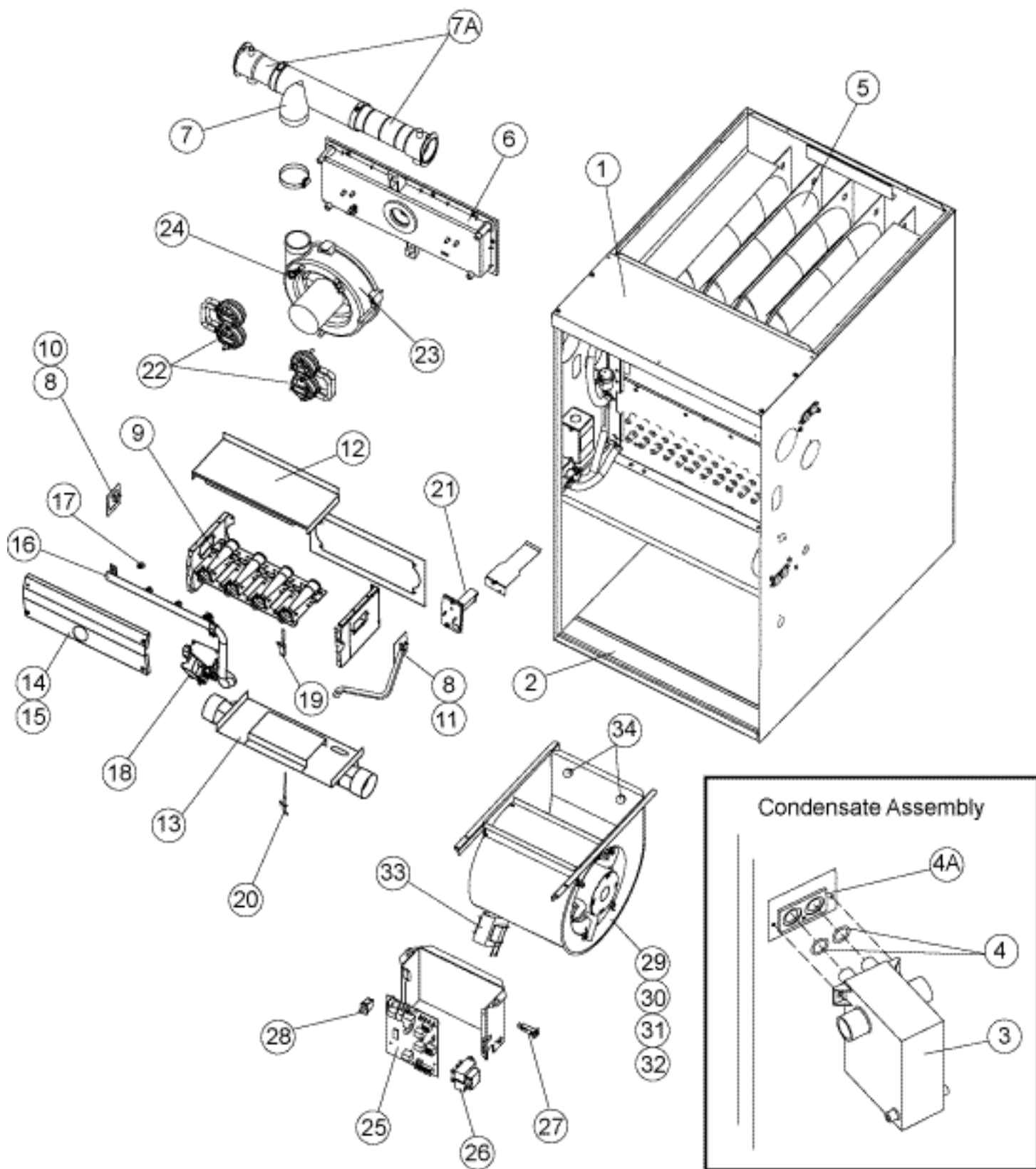
HEATING-GAS
JUNE 25, 2003

G61MPV SERIES



HEATING-GAS
NOVEMBER 25, 2003

G61MPV SERIES



G61MPV-60D-135				DASH/Revision # with Qty					
Key	Part Name	Part Number	Description	1	6	7	10	11	12
Category:CABINET PARTS									
	HANDLE-DOOR	100296-01	DOOR-HEAT ACCESS		1	1	1	1	1
	HANDLE-DOOR	77C1501	DOOR-HEAT ACCESS	1					
	PANEL-SET	LB-100740AS	"HEAT & BLOWER ACCESS SET IN		1	1	1	1	1
	PANEL-SET	LB-100740J	CL HANDLE" "HEAT & BLOWER ACCESS SET IN	1					
	SIGHT GLASS	100008-01	CL HANDLE" BLOWER ACCESS PANEL	1	1	1	1	1	1
1	PANEL	LB-94948	CAP TOP	1					
1	PANEL	LB-94948G	CAP TOP		1	1	1	1	1
2	PANEL	LB-91487	CAP BOTTOM	1	1	1	1	1	1
3	CONDENSATE TRAP AS SY	LB-96382A	REPLACEMENT CONDENSATE ASSY	1	1	1	1	1	1
	KIT-CLEANOUT CAP	603260-01	"PACKAGE OF 10 ""A"" CAPS"	1	1	1	1	1	1
4	KIT-O-RING-CONDENS ATE TRAP	LB-101508A	CONDENSATE TRAP	1	1	1	1	1	1
	ELBOW	101591-01	"REDUCER-3"" TO 2"" 90 DEGREE ELL"			1	1	1	1
	ELBOW	101695-01	"REDUCER-3"" TO 2"" 90 DEGREE ELL	1	1	1	1	1	1
	ELBOW	51M1501	(CANA "REDUCER-3"" TO 2"" 90 DEGREE ELL"	1	1				
	FILTER	97H0701	"25"" X 25"" X 1"", WASHABLE"	1	1	1	1	1	1
Category:HEATING PARTS									
10	PLATE-PATCH	LB-96414A	BURNER BOX -LEFT	1	1	1	1	1	1
11	PLATE-PATCH	LB-96414B	BURNER BOX-RIGHT	1	1	1	1	1	1
	FITTING-BARB	51M1601	RIGHT PATCH PLATE	1	1	1	1	1	1
	GASKET	56M1001	PATCH PLATE	2	2	2	2	2	2
12	PLATE-BURNER BOX	LB-100667E	TOP	1	1	1	1	1	1
13	PLATE-BURNER BOX	LB-100712E	BOTTOM ASSY W/AIR INTAKE COUPL INGS	1	1	1	1	1	1
	COUPLING	LB-100674A	AIR INTAKE W/GASKET	2	2	2	2	2	2
	GASKET	56M0801	AIR INTAKE COUPLING	2	2	2	2	2	2

G61MPV-60D-135				DASH/Revision # with Qty					
Key	Part Name	Part Number	Description	1	6	7	10	11	12
	GASKET	LB-100683E	"BOTTOM ASSY AIR INLET (19.34	2	2	2	2	2	2
14	COVER	LB-100684E	4" LENGTH FRONT-BURNER BOX W/SIGHT GLASS	1	1	1	1	1	1
15	SIGHT GLASS	100008-01	BURNER BOX COVER	1	1	1	1	1	1
16	MANIFOLD-GAS	83L5101	LESS ORIFICES	1	1	1	1	1	1
17	ORIFICE-BURNER	LB-94568	NAT(DRILL SIZE .089)	6	6	6	6	6	6
17	ORIFICE-BURNER	LB-94569	LP(DRILL SIZE .055)	6	6	6	6	6	6
18	VALVE-GAS	56M4001	"NAT-1/2" (HONEYWELL 2 STAGE)"	1	1	1	1	1	1
	KIT- REGULATOR	10M8201	FOR HONEYWELL GAS VALVE(LP)	1	1	1	1	1	1
19	IGNITOR	41K5601	SURELIGHT	1	1				
19	IGNITOR	LB-112237A	KIT-IGNITOR 2 STAGE VARIABLE SPEED			1	1	1	1
	BRACKET	LB-94557	IGNITOR	1	1	1	1	1	1
20	SENSOR-FLAME	31L7101	SENSOR	1	1	1	1	1	1
	WIRE-FLAME SENSOR	LB-95959W1	JUMPER WIRE	1	1	1	1	1	1
21	CONTROL-LIMIT	86H7201	"PRI- OUT 190F,IN 160F,SPST"	1	1	1	1	1	1
	SHIELD	LB-94995	SHIELD - LIMIT	1	1	1	1	1	1
22	SWITCH-PRESS	101126-01	"RIGHT-.35/.60 WC,SPST,N.O. (2 STAGE)"					1	1
22	SWITCH-PRESS	56M2101	".35/.60 WC,SPST,N.O. (2 STAGE)"	2	2	2	2	1	1
22	SWITCH-PRESS	56M9301	"HIGH ALTITUDE 4501 TO 7500 FT		2	2	2	2	2
	TUBING	LB-96015B	2 STAGE, PRESSURE SWITCH	1	1	1	1	1	1
5	HEAT EXCHANGER	LB-101518S	HEAT EXCHANGER REPLACEMENT	1	1	1	1	1	1
	GASKET	LB-96427	BURNER BOX / VEST PANEL	1	1	1	1	1	1
6	BOX-COLLECTOR	102110-02	W/GASKETS					1	1
6	COLLECTOR BOX	56M2701	W/GASKETS	1	1	1	1		
	GASKET	83L2401	COLLECTOR BOX	1	1	1	1	1	1
	KIT-HI-LO SCREW	LB-109301A	"REPLACEMENT SCREWS (FOOTNOT E 1)"	1	1	1	1	1	1

G61MPV-60D-135				DASH/Revision # with Qty					
Key	Part Name	Part Number	Description	1	6	7	10	11	12
	KIT-PORT INSERT	LB-115562A	"4 EACH REPLACEMENT TEFLON T	1	1	1	1	1	1
7	TEE-EXHAUST	LB-100741C	UBE INSERT FLUE ASSY	1	1	1	1	1	1
7A	COLLAR-FLUE	32M6501	COLLAR - FLUE (10.148)	2	2	2	2	2	2
4A	COLLAR-CONDENSATE	78L3301	L/HOSES (UP FLOW)	2	2	2	2	2	2
4A	COLLAR-CONDENSATE	78L3401	L/HOSES (HORZ / DOWN FLOW)	2	2	2	2	2	2
	COLLAR-CONDENSATE	LB-96380A	ASSY-RIGHT (UP FLOW) W/HOSES	1	1	1	1	1	1
	COLLAR-CONDENSATE	LB-96381A	ASSY-LEFT (UP FLOW) W/HOSES	1	1	1	1	1	1
	COLLAR-CONDENSATE	LB-96383A	"ASSY-RIGHT (HORZ / DOWN FLOW)	1	1	1	1	1	1
	COLLAR-CONDENSATE	LB-96384A	W/HOSES" "ASSY-LEFT (HORZ / DOWN FLOW)	1	1	1	1	1	1
	PLUG-FLUE 2"	29K1201	W/HOSES" 2 in. FLUE PLUG	1	1	1	1	1	1
8	SWITCH-ROLLOUT	78L2901	"250 DEGREE, MANUAL RESET"	2	2	2	2	2	2
	GASKET	56M0901	ROLLOUT SWITCH	2	2	2	2	2	2
9	BURNER-MAIN	LB-94731E	CLUSTER ASSY	1	1	1	1	1	1
	BRACKET-MOUNTING	LB-100675A	BURNER-LEFT	1	1	1	1	1	1
	BRACKET-MOUNTING	LB-100676A	BURNER-RIGHT	1	1	1	1	1	1
Category:INDUCED DRAFT ASSEMBLY									
23	BLOWER-COMB AIR	LB-94724E	COMPLETE ASSY ONLY	1	1	1	1	1	1
	CAPACITOR	39H8901	7.5MFD/370VAC	1	1	1	1	1	1
	GASKET	LB-101510A	COMB AIR	1	1	1	1	1	1
24	CONTROL-LIMIT	56M6601	I.D. HOUSING-CUTOUT 142F	1	1	1	1	1	1
Category:CONTROL PANEL PARTS									
	BOX-CONTROL	LB-108340	BOX-CONTROL		1	1	1	1	1
25	BOARD-CIRCUIT	100870-01	24V CIRCUIT BOARD (2 STAGE)			1	1		
25	BOARD-CIRCUIT	100870-02	24V CIRCUIT BOARD (2 STAGE)					1	
25	BOARD-CIRCUIT	100870-03	CONTROL-IGNITION 2 STAGE VARIABLE SPEED						1

G61MPV-60D-135				DASH/Revision # with Qty					
Key	Part Name	Part Number	Description	1	6	7	10	11	12
25	BOARD-CIRCUIT	49M5901	24V CIRCUIT BOARD (2 STAGE)	1	1				
	KIT-STANDOFF	LB-101753A	INCLUDES (12 EA) SPACERS & STANDOFFS FOR	1	1	1	1	1	1
26	TRANSFORMER	100972-01	"120V PRI,24V SEC,40VA,L/FUSE"			1	1		
26	TRANSFORMER	29M7101	"120V PRI,24V SEC,40VA,L/FUSE"	1	1				
26	TRANSFORMER	42J3201	"120V PRI,24V SEC,40VA,L/FUSE"					1	1
27	BREAKER-CIRCUIT	100597-01	TRANSFORMER-250V/3 AMP			1	1	1	1
27	BREAKER-CIRCUIT	37J5601	TRANSFORMER-250V/3 AMP	1	1				
28	SWITCH	102317-01	SWITCH-INTERLOCK					1	1
28	SWITCH	25J1301	SWITCH, INTERLOCK	1	1	1	1		
	HARNESS - WIRING	LB-94563	SECONDARY LIMIT CONTROLS	1	1	1	1	1	1
	HARNESS-WIRING	27M1101	16 PIN V-SPEED	1	1	1	1	1	1
	HARNESS-WIRING	LB-100694	5 PIN-IGN CONTROL	1	1				
	HARNESS-WIRING	LB-100797	5 PIN-MOTOR POWER	1	1	1	1	1	
	HARNESS-WIRING	LB-102065	HARNESS-WIRING (POWER)						1
	HARNESS-WIRING	LB-111861	5 PIN-IGN CONTROL			1	1	1	1
	HARNESS-WIRING	LB-111867	12-PIN PLUG			1	1	1	1
	HARNESS-WIRING	LB-74735	12-PIN PLUG	1	1				
Category:BLOWER PARTS FOR 60D BLOWER									
29	HOUSING-BLOWER	LB-94726L	ASSY-BLOWER (REPAIR PARTS)	1	1	1	1	1	1
30	PLATE-CUTOFF	LB-94537	PLATE-CUTOFF	1	1	1	1	1	1
31	MOTOR-BLOWER	605263-03	ASSY - MOTOR (REPLACEMENT)						1
31	MOTOR-BLOWER	LB-101945R	"1HP, 1200RPM, 120/60/1 INCL	1	1	1	1	1	
	ARM-MOTOR MTG	49L9701	MOTOR & MOTOR MOUNT	4	4	4	4	4	4
	ASSY-MOTOR REPLACEMENT CONTROL	102993-03	ASSY-MOTOR REPLACEMENT CONTROL						1
	GROMMET	43H8101	GROMMET	4	4	4	4	4	4

G61MPV-60D-135				DASH/Revision # with Qty					
Key	Part Name	Part Number	Description	1	6	7	10	11	12
	MODULE	LB-90745S	MODULE LESS MOTOR	1	1	1	1	1	
	MOUNT-MOTOR	32M1701	4 LEG BAND	1	1	1	1	1	1
	SCREW	101520-01	1/4-20 X 1.75 TAP-R		4	4			
	SLEEVE	49L9801	SLEEVE	4	4	4	4	4	4
32	WHEEL-BLOWER	LB-29333BCW	"1/2"" BORE, 11.5 X 10"	1	1	1	1	1	1
33	CHOKE-POWER	69H1201	BLOWER	1	1	1	1	1	1
34	CONTROL-LIMIT	51M7501	"SEC, OUT 125F, IN 95F, SPST"	2	2	2	2	2	2

NOTE

THE LB-109301A HI-LO REPLACEMENT SCREW KIT CONTAINS SCREWS TO ATTACH DRAIN TRAP TO CONDENSATE COLLAR, CAI TO COLD HEADER BOX, PRESSURE SWITCHES TO CAI, AND FLUE COLLARS TO CABINET