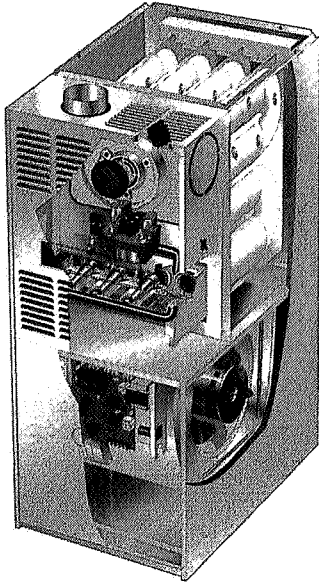


LENNOX

ENGINEERING DATA



UP-FLOW
POSITION



Typical Applications

GAS FURNACES G50UH

ELITE 80™ SERIES Up-Flow/Horizontal

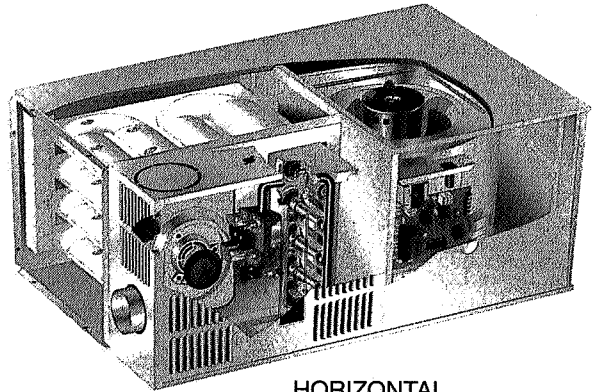
AFUE - 80.0%

Input - 44,000 to 110,000 Btuh (12.9 to 32.2 kW)

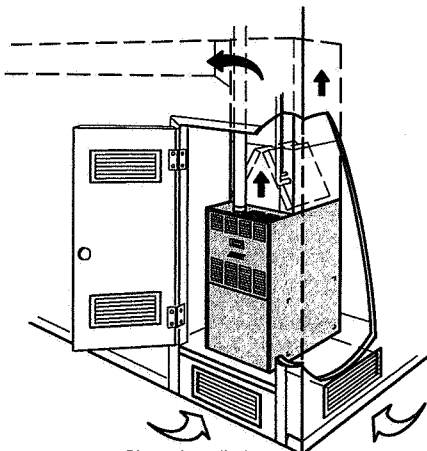
Add-on Cooling - 1 to 4 Tons (3.5 to 14.1 kW)

Bulletin No. 210279

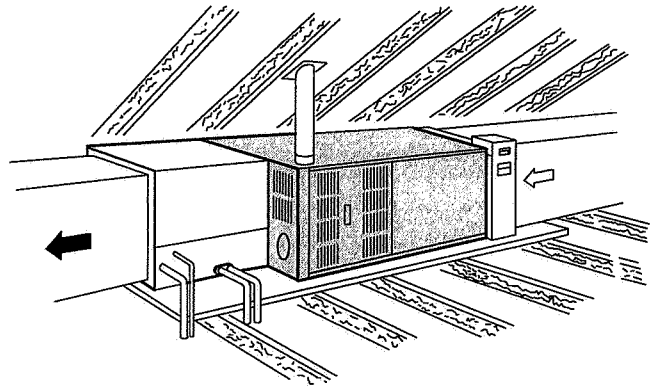
June 2000



HORIZONTAL
POSITION



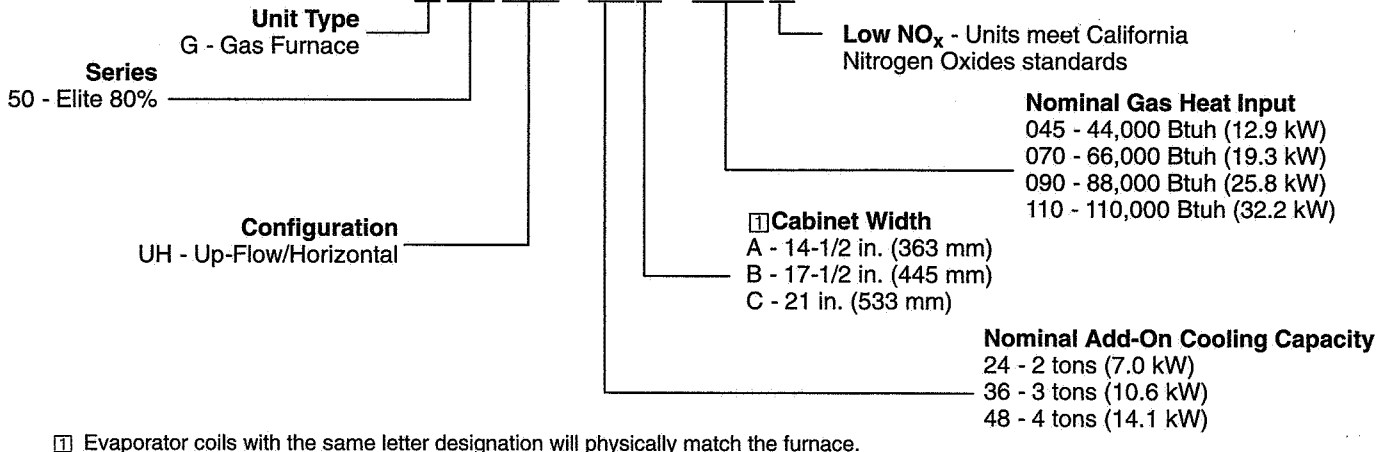
Closet Installation
With cooling coil



Attic Installation
With cooling coil and electronic air cleaner

MODEL NUMBER IDENTIFICATION

G 50 UH - 24 A - 045 X



NOTE - Due to Lennox' ongoing commitment to quality, Specifications, Ratings and Dimensions subject to change without notice and without incurring liability. Improper installation, adjustment, alteration, service or maintenance can cause property damage or personal injury. Installation and service must be performed by a qualified installer and servicing agency.

FEATURES

Applications

- Five models (natural gas or LPG/propane).
- Input capacities of 44,000, 66,000, 88,000 and 110,000 Btuh (12.9, 19.3, 25.8 and 32.2 kW).
- Energy efficiency (AFUE) of 80.0%.
- Utility room, alcove, closet, crawl space or attic installation.
- Lennox add-on evaporator coils, electronic air cleaners and power humidifiers can easily be added to furnace.
- Shipped factory assembled with all controls installed and wired.
- Shipped in up-flow or horizontal left or right hand position. Removeable bottom seal panel shipped in place for side return air is easily removed for bottom/end return air applications.
- Each unit factory test operated to insure proper operation.

Approvals

- Units certified by CSA International (formerly AGA/CGA) and ratings are certified by GAMA.
- Units tested and rated according to US DOE test procedures and FTC labeling regulations.
- Approved by California Energy Commission and meet California Seasonal Efficiency requirements and California Nitrogen Oxides (NO_x) Standards.
- "X" models meet California Nitrogen Oxides (NO_x) Standards.
- Blower data from unit tests conducted in Lennox Laboratory air test chamber.
- Developed in accordance with ISO 9000 quality standards.

Equipment Warranty

- "Duralok™" Aluminized Steel Heat Exchangers — twenty year limited warranty.
- SureLight ignition control system - five year limited warranty (residential applications) - one year (non-residential applications).
- All other covered components — five year limited warranty (residential applications) - one year (non-residential applications).
- Refer to Lennox Equipment Limited Warranty certificate included with equipment for details.

Lennox Duralok™ Aluminized Steel Heat Exchanger

- Heavy gauge aluminized steel heat exchanger.
- Crimped seam clamshell type design.
- Designed for normal expansion and contraction without metal fatigue.
- Minimum resistance to air flow.
- Heat exchanger has been laboratory life cycle tested.

Inshot Burners

- Aluminized steel inshot burners.
- Burner venturi mixes air and gas in correct proportion for proper combustion.
- Assembly is removeable from the unit as a single component for ease of service.

SureLight™ Hot Surface Ignition

- Tough, reliable, long-life, trouble-free performance.
- Tungsten heater element sandwiched between two plates of silicon nitride.
- Cemented to steatite block for protection against current leakage.
- Ignition leads constructed of nickel plated copper enclosed in high temperature Teflon insulation for dependable operation.
- No electrical noise.

SureLight™ Integrated Furnace Control Board

- Solid-state board contains all necessary controls and relays to operate furnace.
- Induced draft blower is controlled by board. Prior to ignition, a pre-purge cycle for 15 seconds is initiated. After the main burners are turned off, a post-purge cycle for 5 seconds is run.
- Adaptive technology of ignition control board continuously monitors and adjusts the ignitor voltage to operate at minimum ignitor temperature required for ignition, prolonging ignitor life.
- Electronic flame sensor control assures safe and reliable operation.
- Should loss of flame occur, flame sensor controls will initiate 5 attempts at re-ignition before locking out unit operation for 60 minutes.
- Watchguard type circuit automatically resets ignition controls after one hour of continuous thermostat demand after unit lockout, eliminating nuisance calls for service.
- Fan control consists of adjustable blower timed-off delay (60, 90, 120, 180 seconds - factory setting 90 seconds) and fixed blower timed-on delay (45 seconds).
- For air-conditioning applications, blower is automatically energized on thermostat demand for cooling.
- Terminal for continuous low speed blower operation.
- Two accessory terminals furnished for additional power supply requirements for 120 volt (less than 1 amp) power humidifiers and electronic air cleaners.
- Ignition control has two LED's to indicate status and as an aid in troubleshooting.

Gas Control Valve

- 24 volt redundant combination gas control valve combines manual shut off valve (On-Off), automatic electric valve (dual) and gas pressure regulation into a compact combination control.

Combustion Air Inducer

- Shaded pole heavy duty blower prepurges heat exchanger and safely vents flue products.
- Pressure switch proves blower operation before allowing gas valve to open.
- Operates only during heating cycle.
- Direct access allows inducer assembly to be rotated 90° clockwise or counterclockwise to facilitate easy vent attachment in horizontal applications.

Limit Controls

- Automatic reset, primary and secondary limits are accurately located.
- Primary limit factory installed on vestibule panel, secondary limit (all units except G50UH-24A-045) factory installed on blower housing.

Flame Rollout Switches (2)

- Manual reset.
- Factory installed on top of burner box.
- Switches provide protection from abnormal operating conditions.

FEATURES

24 Volt Transformer

- Furnished and factory installed in control box.
- 40VA transformer has circuit breaker wired in series.

Field Wiring Make-up Box

- Furnished for line voltage wiring.
- Factory installed internally on left side of furnace.
- Box may be installed internally or externally on either side of furnace.

Cabinet-

- Low profile, narrow width cabinet allows easy installation.
- Heavy gauge cold rolled steel constructed.
- Pre-painted cabinet finish.
- Flue outlet on top of cabinet for up-flow applications, can be relocated to either side of cabinet for horizontal applications.
- Flanges provided on supply air opening for ease of plenum connection or alignment with evaporator coil.
- Return Air Entry:
 - Bottom/end entry for up-flow/horizontal applications - remove furnished bottom seal panel from cabinet.
 - Side return air entry for up-flow applications - corners are marked on either side of cabinet for return air cut-outs. See dimension drawings.
- Fully insulated cabinet with foil faced insulation on sides and back of heating compartment and mat faced insulation in blower compartment.
- Complete service access.
- Safety interlock switch automatically shuts off power to unit when blower compartment access door is removed.
- Gas piping and electrical inlets are provided in both sides of cabinet.

Blower

- Multi-speed direct drive blower.
- Statically and dynamically balanced.
- Resiliently mounted.
- Blower assembly easily removed for servicing
- Blower speeds are easily changed on the integrated furnace control board. See blower performance tables.

Coil Match-Up

- All furnaces exactly match C33 cased up-flow and CH33 cased horizontal evaporator coils with same letter designation in model no. No adaptor required. Engaging holes furnished on cabinet for alignment. See specifications table and dimension drawings.
- C33 uncased coils match furnaces without any overhang but require an optional adaptor base or field fabricated transition to match furnace opening. See C33 coil bulletin for additional information.

Filter (Not Furnished)

- Filter and provisions for external mounting must be field provided.

OPTIONAL ACCESSORIES - MUST BE ORDERED EXTRA

Furnace Twinning Kit

- Field installed kit (15L38) is required to operate two furnaces simultaneously.
- Kit consists of twinning control and two fan sensors.

High Altitude Pressure Switch Kit

- Required on certain units for proper unit operation on installations above 4,500 ft. (1372 m).
- See Specifications table for applications and catalog numbers.

Horizontal Support Frame Kit

- Provides support of unit in horizontal applications.
- Consists of (2) 1 x 1-1/2 x 32-5/8 in. (25 x 38 x 829 mm) and (2) 1 x 3 x 53-7/8 in. (25 x 76 x 1368 mm) painted heavy gauge cold rolled steel support channels with assembly and suspending holes.
- Bolts and nuts furnished for field assembly.
- Suspending rods must be field provided.
- See Specifications table for catalog no.

LPG/Propane Conversion Kit

- Required for field changeover from natural gas.
- See Specifications table for catalog number.

Side Return Air Filter and Rack Kit

- Washable or vacuum cleanable polyurethane frame type filter and external side return air rack available for field installation.
- Available in single and ten pack kits.
- See Specifications table for order no.
- Rack has filter door for easy filter servicing.
- Flanges on rack allow easy duct connection.
- Field installs on either side of unit cabinet. See dimension drawing.

Thermostat

- See Thermostats bulletin in Thermostats and Controls section and Lennox Price Book for a complete list of thermostats.

SPECIFICATIONS

Model No.	G50UH-24A-045	G50UH-36A-070	G50UH-36B-090	G50UH-48B-090	G50UH-48C-110
Model No. - "X" Models	G50UH-24A-045X	G50UH-36A-070X	----	G50UH-48B-090X	----
Input - Btuh (kW)	44,000 (12.9)	66,000 (19.3)	88,000 (25.8)		110,000 (32.2)
Output - Btuh (kW)	36,000 (10.5)	54,100 (15.6)	72,100 (21.1)		90,200 (26.4)
☆AFUE	80.0%				
California Seasonal Efficiency	74.2%	74.8% _{90°F}	75.7%	75.3%	75.7%
High static (AGA/CGA) - in. w.g. (Pa)	.50 (124)				
Flue connection - in. (mm) round	4 (102)				
Gas pipe size IPS - in. (mm)	1/2 (12.7)				
Temperature rise range - °F (°C)	35 - 65 (19 - 36)	40 - 70 (22 - 39)			
Blower wheel nom. dia. & width - in. (mm)	10 x 7 (254 x 178)	10 x 8 (254 x 203)		10 x 10 (254 x 254)	
Blower motor output - hp (W)	1/5 (149)	1/3 (249)		1/2 (373)	
Tons (kW) of add-on cooling	1 - 2 (3.5 - 7.0)	1 - 3 (3.5 - 10.6)		2 - 4 (7.0 - 14.1)	
Shipping weight - lbs. (kg) 1 package	121 (55)	132 (60)	146 (66)	153 (69)	169 (77)
Electrical characteristics	120 volts - 60 hertz - 1 phase (less than 12 amps)				
① Matching C33 (up-flow cased) / CH33 (horizontal) Coils	C33-18A-F, C33-24A-F, C33-30A-F, C33-36A-F, C33-38A-F, CH33-18A-F, CH33-30A-F, CH33-36A-F		C33-24B-F, C33-30B-F, C33-36B-F, C33-38B-F, C33-42B-F, C33-48B-F, CH33-36B-F, CH33-42B-F, CH33-44B-F,		C33-36C-F, C33-48C-F, C33-50C-F, CH33-36C-F, CH33-48C-F, CH33-50C-F

OPTIONAL ACCESSORIES (MUST BE ORDERED EXTRA)

② High Altitude Pressure Switch Kit	56L32	49L90
Horizontal Support Frame Kit Ship. Wt. - lbs. (kg.)	56J18 — 18 lbs. (8 kg)	
LPG/Propane kit	45L60	
③ Side Return Air Filter and Rack Kit No. and size of filters - in. (mm)	Single 44J22 Ten Pack (66K63) (1) 16 x 25 x 1 (406 x 635 x 25)	
Twinning Kit	15L38	

☆Annual Fuel Utilization Efficiency based on DOE test procedures and according to FTC labeling regulations. Isolated combustion system rating for non-weatherized furnaces.

NOTE - Filters and provisions for mounting are not furnished and must be field provided.

① C33 uncased coils - The same uncased models match the furnaces shown but require an optional adaptor base or field fabricated transition. See C33 coil bulletin for additional information.

② Required for proper operation at altitudes over 4,500 ft. (1370 m).

③ Cleanable polyurethane frame type filter.

INSTALLATION CLEARANCES - INCHES (MM)

UP-FLOW POSITION

Vent Type	Type "B1"	Type "C"
Sides	0 inches (0 mm)	①0 inches (0 mm)
Rear	0 inches (0 mm)	0 inches (0 mm)
Top	1 inch (25 mm)	1 inch (25 mm)
Front	3 inches (76 mm)	3 inches (76 mm)
Front (alcove)	24 inches (610 mm)	24 inches (610 mm)
Front (service)	24 inches (610 mm)	24 inches (610 mm)
Floor	Combustible	Combustible
Flue	1 inch (25 mm)	6 inch (152 mm)

NOTE—Air for combustion and supply air ventilation must conform to the methods outlined in American National Standard (ANSI-Z223.1) National Fuel Gas Code or National Standard of Canada CAN/CGA-149.1, & CAN/CGA-149.2 "Installation Code for Gas Burning Appliances".

NOTE—In the U.S. flue sizing must conform to the methods outlined in current GAMA/A.G.A. venting tables, American National Standard (ANSI-Z223.1) National Fuel Gas Code or applicable provisions of local building codes. In Canada flue sizing must conform to the methods outlined in National Standard of Canada CAN/CGA-149.1 and 2.

① Left side requires 4 in. (102 mm) if single wall vent is used on 14-1/2 in. (368 mm) cabinets, 2 in. (76 mm) on 17-1/2 in. (980 mm) cabinets.

HORIZONTAL POSITION

Vent Type	Type "B1"	Type "C"
①Ends	①2 inches (51 mm)	①2 inches (51 mm)
Rear	0 inches (0 mm)	0 inches (0 mm)
①Top	①0 inches (0 mm)	①0 inches (0 mm)
Front	3 inches (76 mm)	3 inches (76 mm)
Front (service)	24 inches (610 mm)	24 inches (610 mm)
Front (service)	24 inches (610 mm)	24 inches (610 mm)
Floor	0 inches (0 mm)	0 inches (0 mm)
Flue	1 inch (25 mm)	6 inch (152 mm)

NOTE—Air for combustion and supply air ventilation must conform to the methods outlined in American National Standard (ANSI-Z223.1) National Fuel Gas Code or National Standard of Canada CAN/CGA-149.1, & CAN/CGA-149.2 "Installation Code for Gas Burning Appliances".

NOTE—In the U.S. flue sizing must conform to the methods outlined in current GAMA/A.G.A. venting tables, American National Standard (ANSI-Z223.1) National Fuel Gas Code or applicable provisions of local building codes. In Canada flue sizing must conform to the methods outlined in National Standard of Canada CAN/CGA-149.1 and 2.

① Line contact installation permissible between jacket top or sides and building joists.

BLOWER/WATTS DATA

G50UH-24A-045 PERFORMANCE

External Static Pressure		Air Volume / Watts at Various Blower Speeds								
		High			Medium			Low		
in. w.g.	Pa	cfm	L/s	Watts	cfm	L/s	Watts	cfm	L/s	Watts
0.00	0	1090	514	458	905	427	391	725	342	302
0.05	12	1080	510	451	900	425	389	720	340	299
0.10	25	1065	503	444	895	422	386	710	335	296
0.15	37	1050	496	434	893	421	380	700	330	292
0.20	50	1030	486	424	890	420	374	690	326	288
0.25	62	1015	479	417	875	413	370	680	321	284
0.30	75	995	470	409	860	406	363	665	314	280
0.40	100	960	453	394	840	396	349	650	307	271
0.50	125	910	429	378	795	375	333	610	288	259
0.60	150	840	396	356	750	354	317	540	255	247
0.70	175	770	363	339	665	314	295	490	231	237
0.80	200	660	311	314	555	262	276	420	198	224
0.90	225	560	264	297	480	227	260	355	168	208

NOTE - All air data is measured external to unit with 1 in. (25 mm) cleanable filter (not furnished - field provided) in place. Also see Filter Air Resistance table.

G50UH-36A-070 PERFORMANCE

External Static Pressure		Air Volume / Watts at Various Blower Speeds											
		High			Medium-High			Medium-Low			Low		
in. w.g.	Pa	cfm	L/s	Watts	cfm	L/s	Watts	cfm	L/s	Watts	cfm	L/s	Watts
0.00	0	1500	708	707	1290	609	567	985	465	455	830	392	373
0.05	12	1475	696	693	1275	602	556	980	463	447	820	387	367
0.10	25	1450	684	678	1255	592	544	970	458	438	810	382	360
0.15	37	1425	673	668	1240	585	534	965	455	431	805	380	355
0.20	50	1400	661	657	1225	578	523	955	451	424	795	375	349
0.25	62	1370	647	643	1205	569	512	945	446	416	790	373	343
0.30	75	1340	632	628	1180	557	501	930	439	407	780	368	336
0.40	100	1285	606	608	1140	538	476	900	425	391	745	352	324
0.50	125	1215	573	581	1080	510	451	865	408	373	705	333	310
0.60	150	1150	543	561	1015	479	430	810	382	356	655	309	290
0.70	175	1060	500	536	940	444	403	730	345	330	585	276	271
0.80	200	955	451	514	798	377	368	655	309	307	480	227	260
0.90	225	785	370	477	606	286	325	585	276	272	410	193	254

NOTE - All air data is measured external to unit with 1 in. (25 mm) cleanable filter (not furnished - field provided) in place. Also see Filter Air Resistance table.

G50UH-36B-090 PERFORMANCE

External Static Pressure		Air Volume / Watts at Various Blower Speeds											
		High			Medium-High			Medium-Low			Low		
in. w.g.	Pa	cfm	L/s	Watts	cfm	L/s	Watts	cfm	L/s	Watts	cfm	L/s	Watts
0.00	0	1500	708	721	1255	592	593	1040	491	461	900	425	372
0.05	12	1485	701	704	1250	590	582	1038	490	452	895	422	367
0.10	25	1465	691	687	1240	585	570	1035	488	443	890	420	361
0.15	37	1450	684	673	1235	583	557	1033	488	438	885	418	357
0.20	50	1435	677	659	1225	578	543	1030	486	433	880	415	352
0.25	62	1420	670	644	1215	573	531	1025	484	424	875	413	346
0.30	75	1400	661	628	1200	566	519	1020	481	414	870	411	340
0.40	100	1345	635	596	1170	552	495	1000	472	400	855	404	328
0.50	125	1300	614	573	1135	536	474	965	455	382	830	392	298
0.60	150	1235	583	543	1080	510	445	930	439	362	780	368	289
0.70	175	1165	550	511	1020	481	416	870	411	339	740	349	279
0.80	200	1080	510	478	940	444	387	800	378	316	670	316	260
0.90	225	985	465	445	840	396	354	710	335	290	600	283	246

NOTE - All air data is measured external to unit with 1 in. (25 mm) cleanable filter (not furnished - field provided) in place. Also see Filter Air Resistance table.

BLOWER/WATTS DATA

G50UH-48B-090 PERFORMANCE

External Static Pressure		Air Volume / Watts at Various Blower Speeds											
		High			Medium-High			Medium-Low			Low		
in. w.g.	Pa	cfm	L/s	Watts	cfm	L/s	Watts	cfm	L/s	Watts	cfm	L/s	Watts
0.00	0	1970	930	792	1810	854	733	1585	748	670	1340	632	564
0.05	12	1940	916	778	1785	842	714	1580	746	650	1335	630	553
0.10	25	1915	904	763	1760	831	694	1570	741	629	1325	625	541
0.15	37	1880	887	747	1730	816	658	1560	736	616	1323	624	531
0.20	50	1840	868	731	1700	802	622	1545	729	602	1320	623	520
0.25	62	1805	852	713	1670	788	625	1520	717	584	1310	618	511
0.30	75	1765	833	694	1640	774	627	1490	703	566	1295	611	502
0.40	100	1695	800	671	1570	741	595	1440	680	542	1260	595	479
0.50	125	1600	755	633	1490	703	562	1360	642	507	1195	564	450
0.60	150	1505	710	598	1400	661	530	1285	606	479	1140	538	424
0.70	175	1395	658	567	1265	597	483	1170	552	440	990	467	378
0.80	200	1250	590	522	1100	519	443	975	460	390	905	427	355
0.90	225	1005	474	461	870	411	385	900	425	366	810	382	325

NOTE - All air data is measured external to unit with 1 in. (25 mm) cleanable filter (not furnished - field provided) in place. Also see Filter Air Resistance table.

G50UH-48C-110 PERFORMANCE

External Static Pressure		Air Volume / Watts at Various Blower Speeds											
		High			Medium-High			Medium-Low			Low		
in. w.g.	Pa	cfm	L/s	Watts	cfm	L/s	Watts	cfm	L/s	Watts	cfm	L/s	Watts
0.00	0	2015	951	893	1620	765	779	1340	632	640	1150	543	524
0.05	12	1990	939	871	1615	762	762	1340	632	640	1150	543	524
0.10	25	1965	927	849	1610	760	745	1340	632	640	1150	543	524
0.15	37	1930	911	827	1605	757	727	1337	631	630	1150	543	524
0.20	50	1895	894	804	1600	755	708	1335	630	615	1150	543	524
0.25	62	1860	878	784	1590	750	693	1332	629	603	1150	543	519
0.30	75	1820	859	763	1580	746	677	1330	628	590	1145	540	514
0.40	100	1740	821	727	1530	722	636	1320	623	562	1140	538	490
0.50	125	1665	786	697	1475	696	598	1285	606	527	1120	529	470
0.60	150	1575	743	652	1405	663	556	1230	580	491	1075	507	443
0.70	175	1475	696	611	1310	618	514	1165	550	468	1015	479	414
0.80	200	1350	637	562	1210	571	483	1080	510	431	930	439	379
0.90	225	1210	571	521	1070	505	432	870	411	365	740	349	324

NOTE - All air data is measured external to unit with 1 in. (25 mm) cleanable filter (not furnished - field provided) in place. Also see Filter Air Resistance table.

FILTER AIR RESISTANCE

cfm (L/s)	in. w.g. (Pa)
0 (0)	0.00 (0)
200 (95)	0.01 (0)
400 (190)	0.03 (5)
600 (285)	0.04 (10)
800 (380)	0.06 (15)
1000 (470)	0.09 (20)
1200 (565)	0.12 (30)
1400 (660)	0.15 (35)
1600 (755)	0.19 (45)
1800 (850)	0.23 (55)
2000 (945)	0.27 (65)
2200 (1040)	0.33 (80)
2400 (1130)	0.38 (95)
2600 (1225)	0.44 (110)

HIGH ALTITUDE INFORMATION

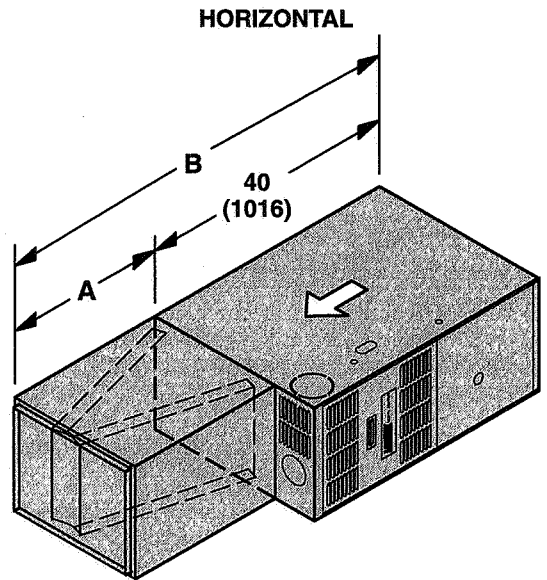
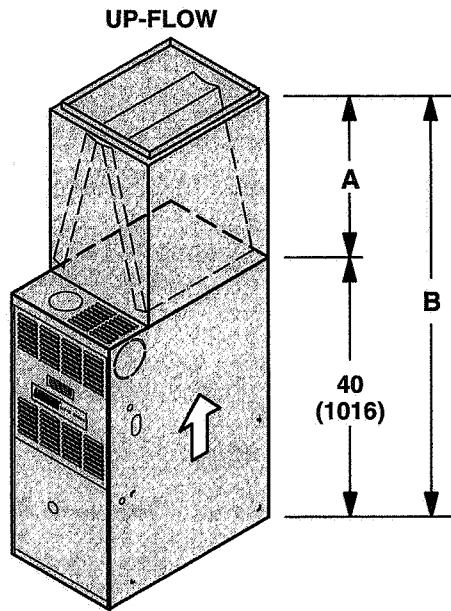
All models - Pressure regulator adjustment may be required depending on altitude. See below for proper pressure regulator setting.

Manifold Pressure (Outlet) in. w.g. (kPa)				
FUEL	ALTITUDE ft. (m)			
	0-4500 (0-1372)	4501-5500 (1373-1676)	5501-6500 (1677-1981)	6501-7500 (1982-2286)
Natural Gas	3.5 (.87)	3.3 (.82)	3.2 (.80)	3.1 (.77)
LPG/Propane	10.0 (2.49)			

Pressure switch is factory set. No adjustment necessary. All models use the factory installed pressure switch from 0-4500 feet (0-1370 m). Units require a High Altitude Pressure Switch kit if installed at altitudes above 4500 feet (1370 m).

Order **56L32** for -045, -070 models.
Order **49L90** for -090, -110 models.

DIMENSIONS - INCHES (MM) - FURNACE/COIL COMBINATIONS



Model No.	A		B	
	in.	mm	in.	mm
C33-18A uncased	10-3/4	273	50-3/4	1289
C33-24A uncased	14-3/4	375	54-3/4	1391
C33-24B uncased	14-3/4	375	54-3/4	1391
C33-30A uncased	18-3/4	476	58-3/4	1492
C33-30B uncased	18-3/4	476	58-3/4	1492
C33-36A uncased	22-3/4	578	62-3/4	1594
C33-36B uncased	22-3/4	578	62-3/4	1594
C33-36C uncased	22-3/4	578	62-3/4	1594
C33-38A uncased	22-3/4	578	62-3/4	1594
C33-38B uncased	22-3/4	578	62-3/4	1594
C33-42B uncased	22-3/4	578	62-3/4	1594
C33-44C uncased	22-3/4	578	62-3/4	1594
C33-48B uncased	22-3/4	578	62-3/4	1594
C33-48C uncased	22-3/4	578	62-3/4	1594
C33-50C uncased	26-3/4	578	66-3/4	1695

Model No.	A		B	
	in.	mm	in.	mm
CH33-18A-F cased	21-1/2	546	41-1/2	1054
CH33-30A-F cased	26-1/2	673	66-1/2	1689
CH33-36A-F cased	26-1/2	673	66-1/2	1689
CH33-36B-F cased	26-1/2	673	66-1/2	1689
CH33-36C-F cased	26-1/2	673	66-1/2	1689
CH33-42B-F cased	26-1/2	673	66-1/2	1689
CH33-44B-F cased	31-1/2	800	71-1/2	1816
CH33-48C-F cased	26-1/2	673	66-1/2	1689
CH33-50C-F cased	31-1/2	800	71-1/2	1816

Model No.	A		B	
	in.	mm	in.	mm
C33-18A-F cased	16-1/2	419	56-1/2	1435
C33-24A-F cased	16-1/2	419	56-1/2	1435
C33-24B-F cased	16-1/2	419	56-1/2	1435
C33-30A-F cased	20-1/2	521	60-1/2	1537
C33-30B-F cased	20-1/2	521	60-1/2	1537
C33-36A-F cased	24-1/2	622	64-1/2	1638
C33-36B-F cased	24-1/2	622	64-1/2	1638
C33-36C-F cased	24-1/2	622	64-1/2	1638
C33-38A-F cased	24-1/2	622	64-1/2	1638
C33-38B-F cased	24-1/2	622	64-1/2	1638
C33-42B-F cased	24-1/2	622	64-1/2	1638
C33-44C-F cased	24-1/2	622	64-1/2	1638
C33-48B-F cased	24-1/2	622	64-1/2	1638
C33-48C-F cased	24-1/2	622	64-1/2	1638
C33-50C-F cased	31-1/2	800	71-1/2	1816

