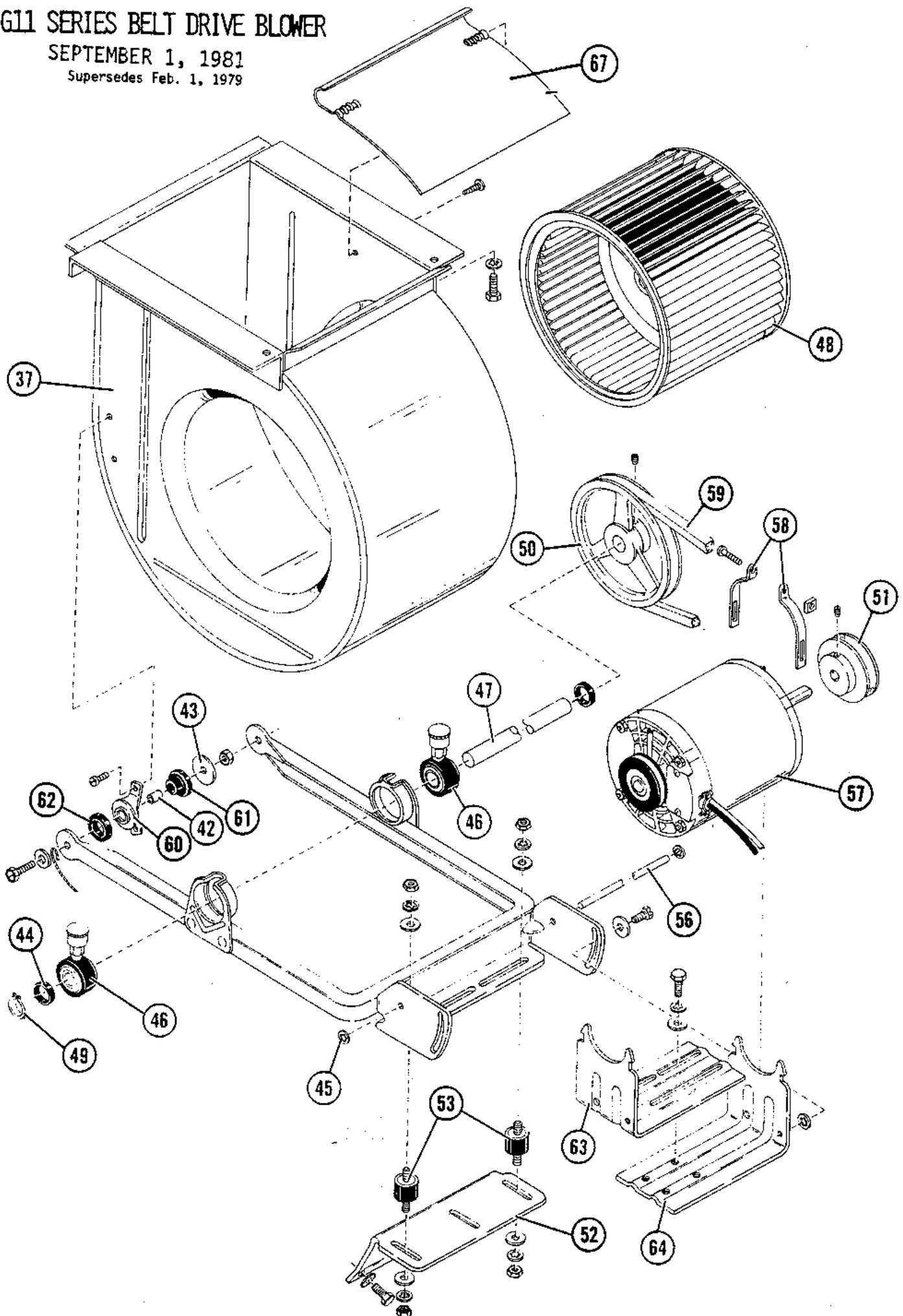


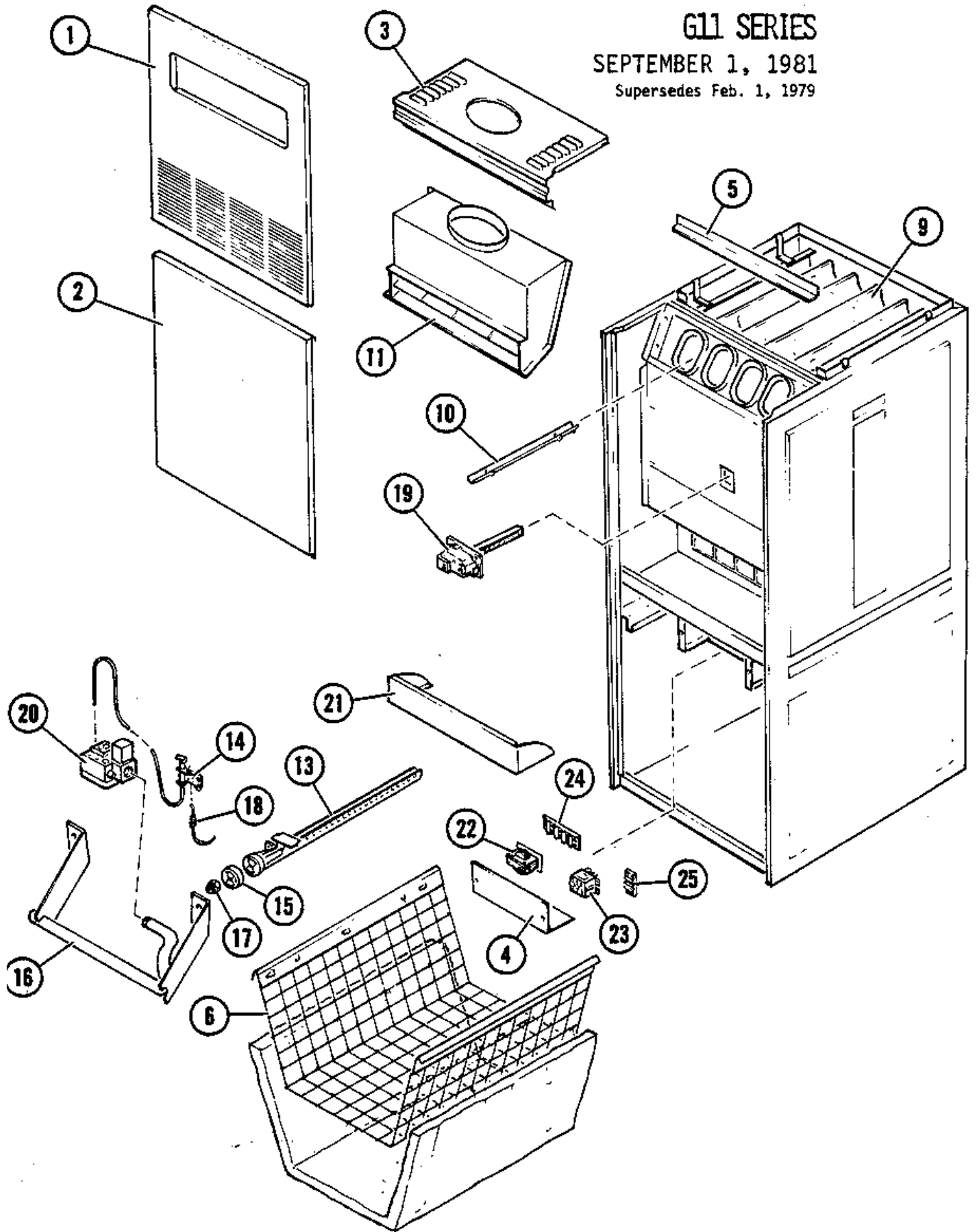
# G11 SERIES BELT DRIVE BLOWER

SEPTEMBER 1, 1981

Supersedes Feb. 1, 1979



**G11 SERIES**  
SEPTEMBER 1, 1981  
Supersedes Feb. 1, 1979



G11-200				DASH/Revision # with Qty		
Key	Part Name	Part Number	Description	1	2	3
Category:CABINET PARTS						
1	PANEL	LB-16387D	LOUVER	1	1	
1	PANEL	LB-32589	LOUVER(LATE PROD-8/7/78 ON)		1	
1	PANEL	LB-32589D	LOUVER(INTL UNITS)			1
2	PANEL	LB-34190C	BLOWER(LATE PROD-8/7/78 ON)		1	
2	PANEL	LB-38720BD	BLOWER(INTL UNITS)			1
2	PANEL	LB-80124CB	BLOWER	1	1	
	STRIP-TOP	LB-38417BM	(INTL UNITS)			1
21	COVER-POUCH	LB-17299C	POUCH COVER	1	1	
21	COVER-POUCH	LB-38492CF	(INTL UNITS)			1
3	CAP-CABINET	LB-17423A	CAB-CABINET	1	1	
5	PANEL	LB-19320C	VEST TOP	1	1	1
6	RACK-FILTER	LB-18459B	"USES 28" X 58" MEDIA(FULL)"	1	1	1
Category:HEATING PARTS						
10	BAFFLE-FLUE	LB-17313B	BAFFLE-FLUE	7	7	7
	SUPPORT	LB-38691C	FLUE(INTL UNITS)			1
11	DIVERTER	LB-80989D	DIVERTER	1	1	1
	GASKET	LB-17737C	DIVERTER	1	1	1
13	BURNER-MAIN	LB-17431CB	GAS BURNER SA L/BRKT	6	6	6
	BURNER-MAIN	LB-53471B	W/PILOT MTG BRKT	1	1	1
14	BURNER-PILOT	40C9701	ROBERTSHAW(INTL UNITS)			1
14	BURNER-PILOT	P-8-10191	BASO(ALTERNATE)	1	1	
14	BURNER-PILOT	P-8-9370	ROBERTSHAW	1	1	
	ORIFICE-PILOT	P-8-10192	BASO-LP	1	1	
	ORIFICE-PILOT (LPG )	P-8-9372	ROBERTSHAW-LP	1	1	1

G11-200				DASH/Revision # with Qty		
Key	Part Name	Part Number	Description	1	2	3
15	SHUTTER-AIR	LB-1000	LP ONLY	7	7	7
16	MANIFOLD-GAS	LB-17304C	LESS ORIFICES	1	1	1
17	ORIFICE-BURNER	LB-3345	NATURAL(DRILL # 39)	7	7	7
17	ORIFICE-BURNER	LB-3346	LP(DRILL # 53)	7	7	7
18	LEAD	P-8-9371	LEAD-THERMOCOUPLE	1	1	
18	THERMOCOUPLE	23C6701	(INTL UNITS)			1
19	CONTROL-F&L	85A2901	"93 LIMIT,8""INS(INTL UNITS)"			1
19	CONTROL-F&L	P-8-8638	"190 LIMIT,90 FAN,8""INS"		1	
19	CONTROL-F&L	P-8-9441	"100-210 LIMIT,50-220 FAN, 8""INS"	1		
20	VALVE-GAS	87A6401	"ROBERTSHAW,3/4""(INTL UNITS)"			1
20	VALVE-GAS	P-8-9818	"ROBERTSHAW,3/4""	1	1	
20	VALVE-GAS Nat/LP	PR-148	"ROBERTSHAW-LP,3/4""	1	1	1
9	HEAT EXCHANGER	LB-17315A	HEAT EXCHANGER	1	1	1
Category:CONTROL PANEL PARTS						
22	TRANSFORMER	55C3301	"240VPRI,24VSEC,38VA,NO FUSE (EARLY PROD			1
22	TRANSFORMER	96C7901	"240VPRI,24VSEC,30VA,NO FUSE (LATE PROD-			1
22	TRANSFORMER	P-8-9490	"120VPRI,24VSEC,30VA,NO FUSE"	1	1	
	CARRIER-FUSE	96C7701	(LATE PROD-INTL UNITS)			1
	FUSE	59C6801	"1-1/2AMP,TYPE AGC,250V (EARLY PROD)"			2
	FUSE	96C7801	"1.6AMP,250V,TYPE GMA (LATE PROD-INTL UN			1
	HOLDER-FUSE	96C7601	(LATE PROD-INTL UNITS)			1
	HOLDER-FUSE	P-8-6237	(EARLY PROD)			1
23	RELAY	59C7001	"I.D.BLO-SPDT,24V(INTL UNITS)"			1
23	RELAY	P-8-4384	"I.D.BLO-DPDT,24V"	1	1	
24	BLOCK-TERMINAL	59C2601	12 TERMINALS(EARLY PROD- INTL UNITS)			1

G11-200				DASH/Revision # with Qty		
Key	Part Name	Part Number	Description	1	2	3
24	BLOCK-TERMINAL	89C2301	16 TERMINALS(LATE PROD- INTL U NITS)			1
24	STRIP-TERMINAL	P-8-92	5 TERMINALS	1	1	
25	STRIP TERMINAL	P-8-4708	3 TERMINALS	1	1	
	BUSHING-SNAP	P-8-7101	"5/8""I.D.,FOR 7/8""OPENING"	1	1	
Category:BELT DRIVE BLOWER PARTS						
	FRAME-BLOWER	LB-14708	SULKY FRAME SA	1	1	1
37	HOUSING-BLOWER	LB-17330C	BLOWER HSG ASSY	1	1	1
42	SLEEVE	P-8-9232	RUBBER MOUNT	2	2	2
43	MOUNT	P-8-3957	FLAT	2	2	2
44	WASHER-THRUST	P-5-57	THRUST	2	2	2
45	WASHER	P-8-1337	GRIP	2	2	2
46	BEARING	P-5-91	"ASSY-1"" ,BALL"	2	2	2
47	SHAFT-BLOWER	P-5-203	"1""DIA,20-1/2""LONG"	1	1	1
48	WHEEL - BLOWER	P-5-19	"1""BORE,12"" X 12""	1	1	1
49	RING-RETAINING	P-5-201	1 IN EXT RETAIN RING	1	1	1
50	PULLEY-BLOWER	P-8-1670	"1""BORE,7""OD,""A""GROOVE"	1	1	1
52	BRACKET	LB-14711	LOWER CUSHION CONNECTOR	1	1	1
53	CONNECTOR	P-8-44	CUSHION	2	2	2
56	ROD-HINGE	LB-0009	ROD-HINGE	1	1	1
58	CLAMP	P-8-1232	MOTOR-SECURING	4	4	4
60	MOUNT	LB-0007	RUBBER SOCKET	2	2	2
61	BASE-BLOWER MOUNT	P-5-48	RUBBER BASE	2	2	2
62	MOUNT-BLOWER	P-5-49	RUBBER RING	2	2	2
63	MOUNT-BLOWER	LB-0068	FRAME(INSIDE)	1	1	1
64	MOUNT-MOTOR	LB-0067	FRAME(OUTSIDE)	1	1	1

G11-200				DASH/Revision # with Qty		
Key	Part Name	Part Number	Description	1	2	3
67	PLATE-CUTOFF	LB-0301	CUTOFF PLATE	1	1	1
Category:DRIVE KIT FOR 5 TON COOLING 1 HP						
51	PULLEY-MOTOR	P-8-944	"5/8"BORE,4-3/4"OD,""A" GROOVE"	1	1	
57	MOTOR-BLOWER	P-8-6072	"1HP,1725RPM,115-230/60/1"	1	1	
59	BELT	P-8-123	"42",""A"SECTION"	1	1	
	RELAY	P-8-7495	"CONDUIT-120V,SPST"	1	1	
	RELAY	P-8-9415	"24V,DPDT"	1	1	
Category:DRIVE KIT FOR 5 TON COOLING 3/4 HP						
51	PULLEY-MOTOR	P-8-926	"5/8"BORE,4-1/8"OD,""A" GROOVE"	1	1	
57	MOTOR-BLOWER	P-8-4702	"3/4HP,1725RPM,115-230/60/1"	1	1	
59	BELT	P-8-122	"41",""A"SECTION"	1	1	

NOTE