
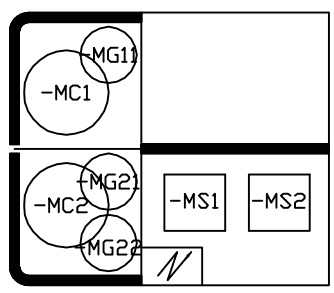
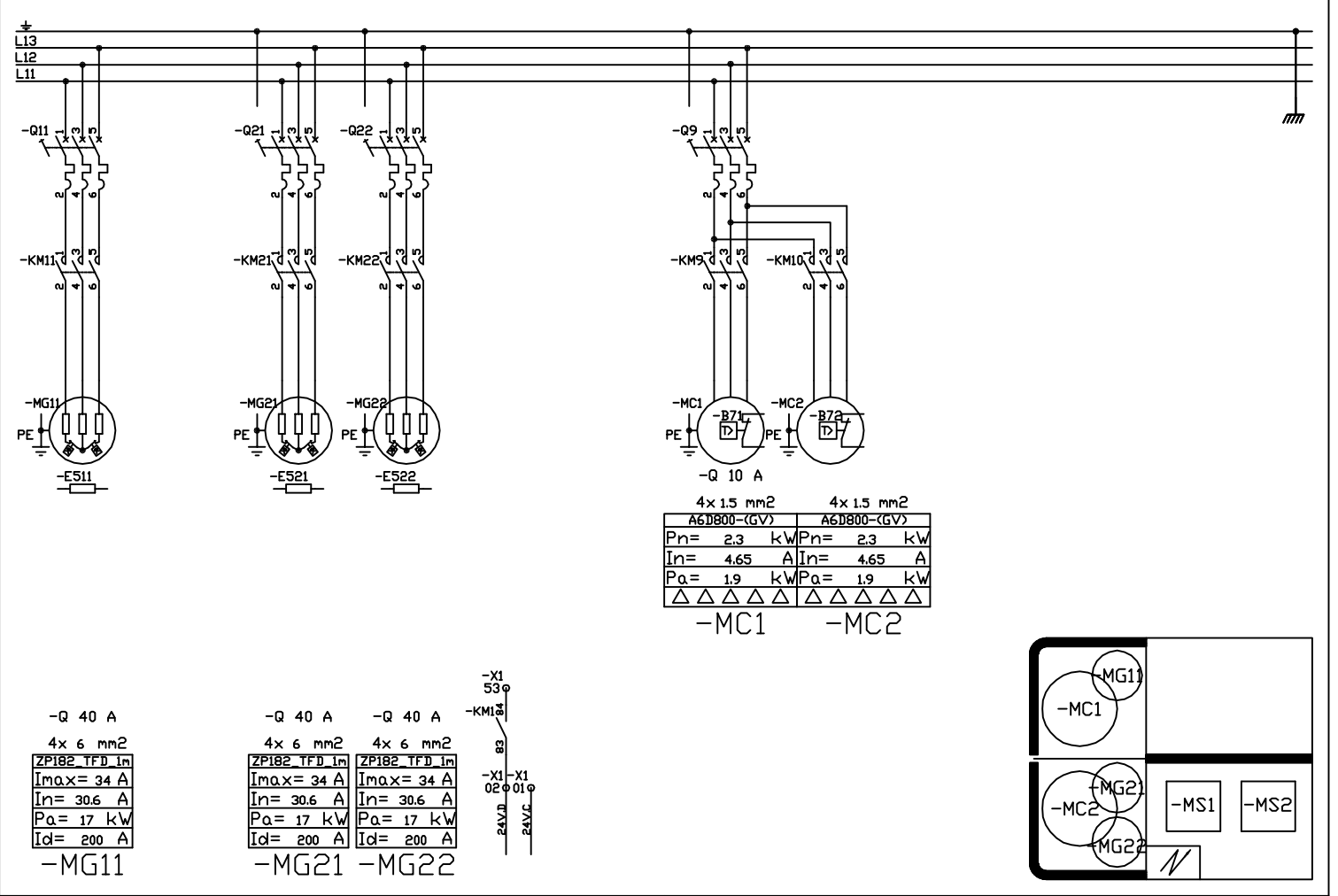
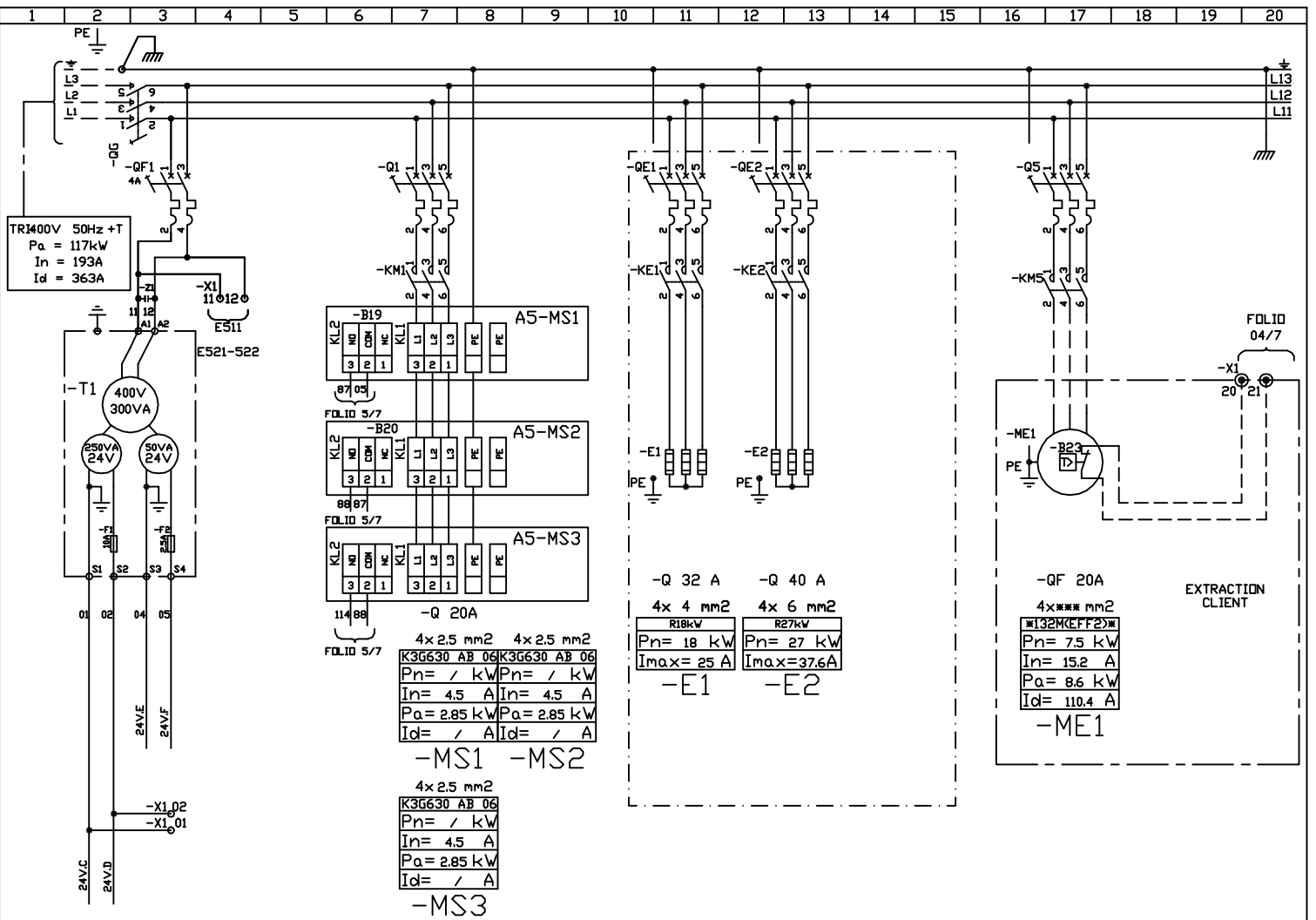
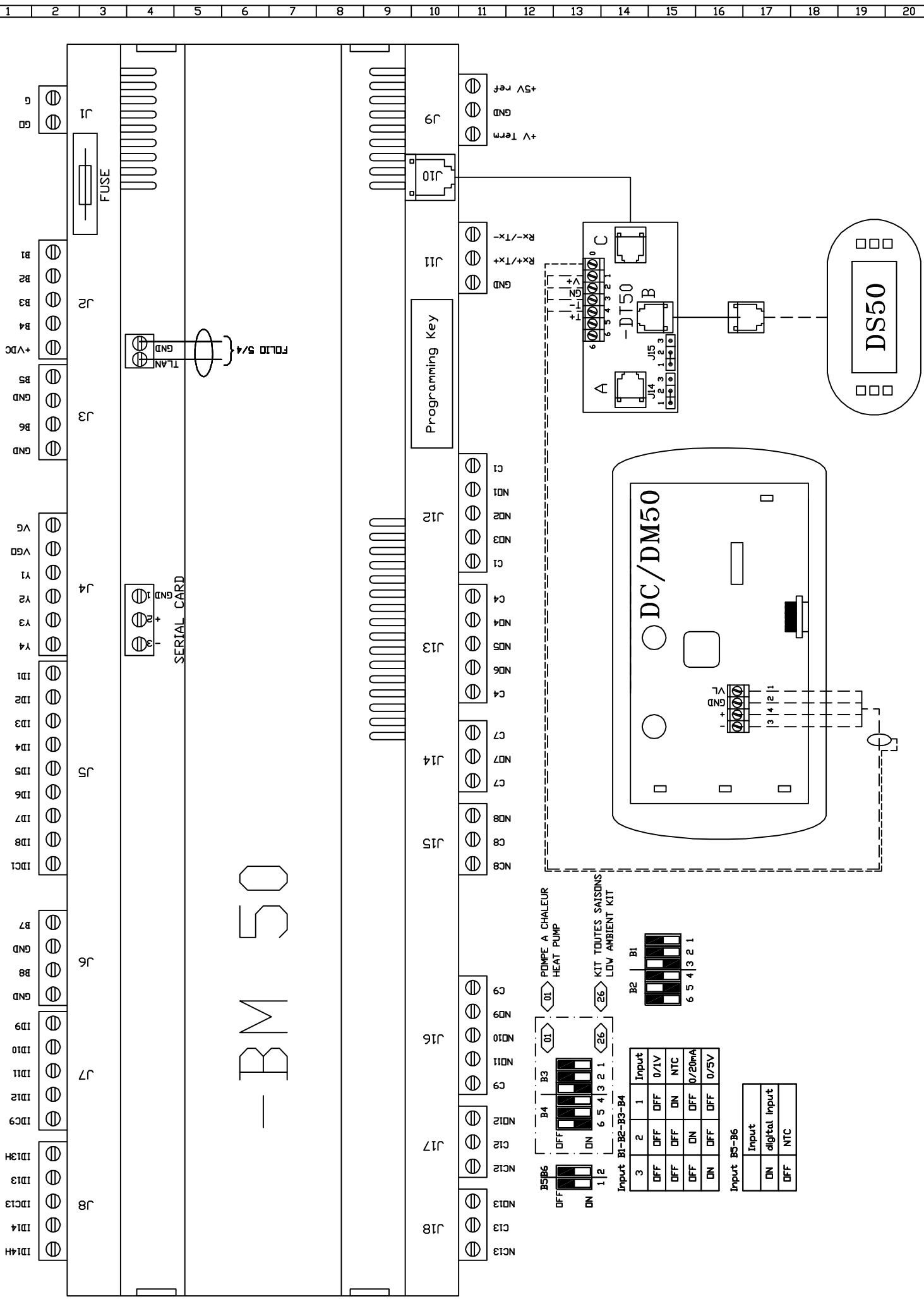


Indice	DATE	NOM	MODIFICATIONS
			
<i>Debenhams Store Ashford</i>			
(1) FHM 150 N	Dessine: T/Y	PAGE DE GARDE	257351 0/11
LENNOX UK	Date: 09.10.07		





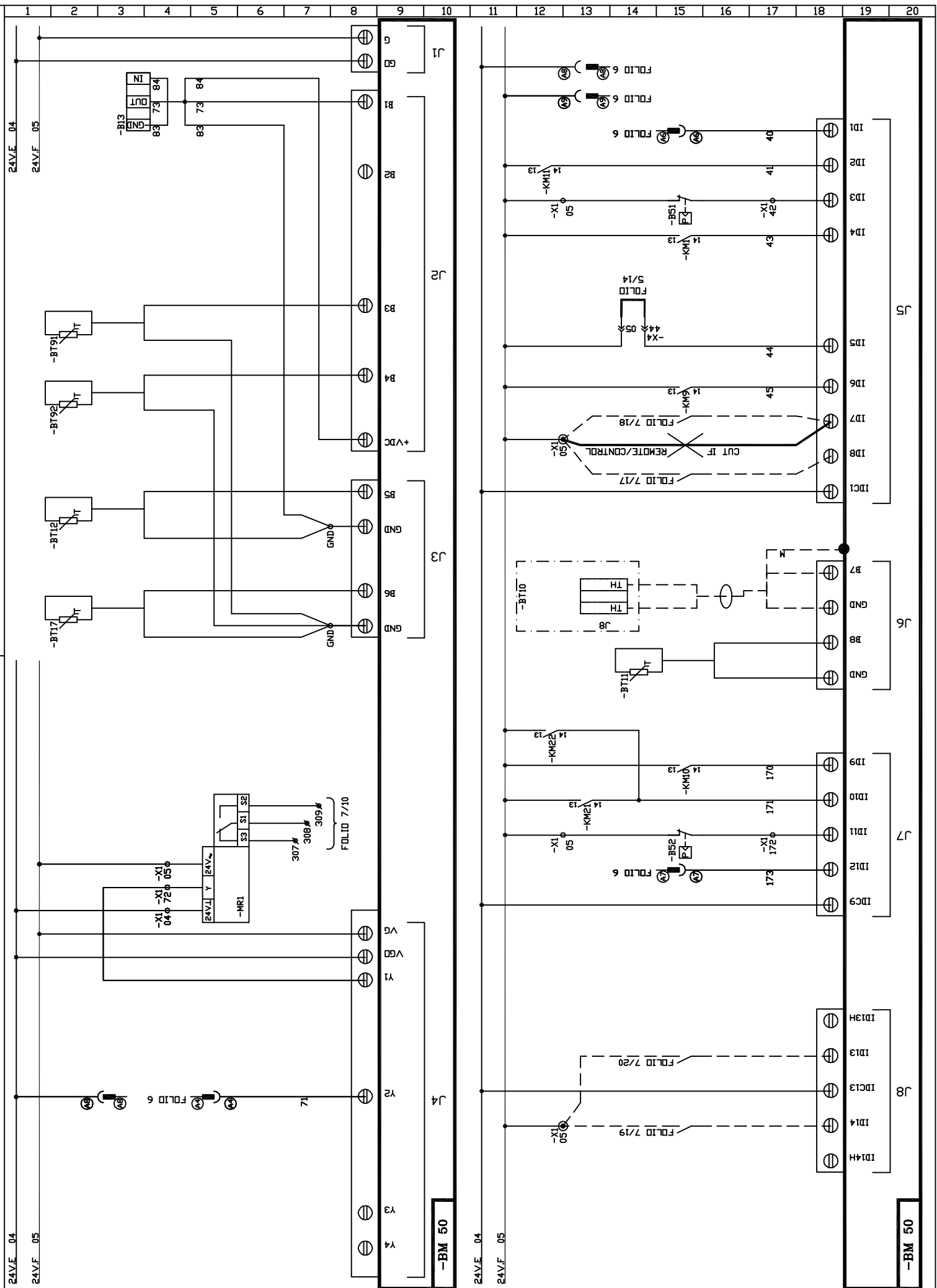
Indice	DATE	NOM	MODIFICATIONS

(1) FHM 150 N
Automate CLIMATIC 50
Climatic 50 Controller

Dessine: T/Y
Date: 09.10.07



257351 2/11



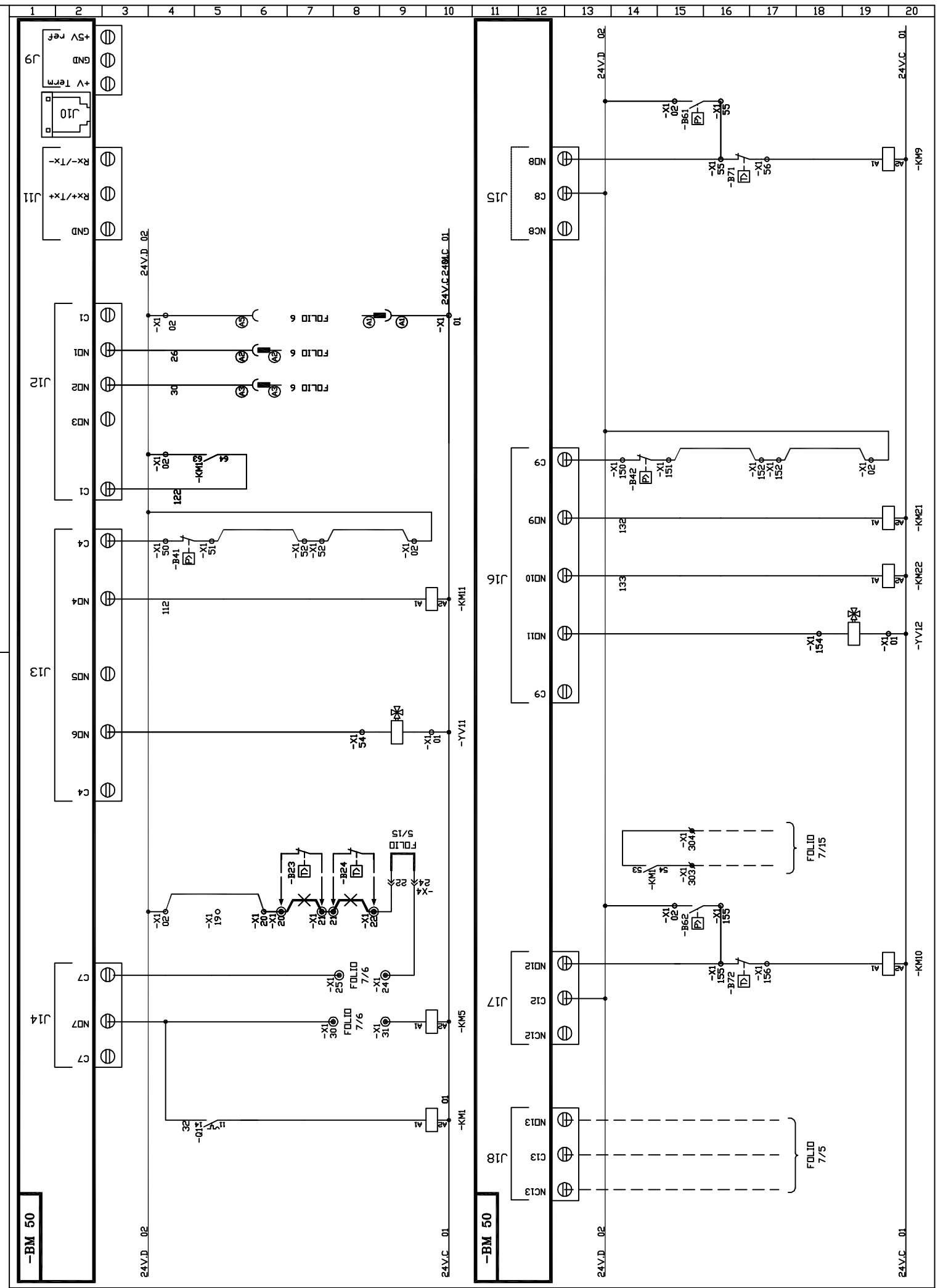
Indice	DATE	NOM	MODIFICATIONS

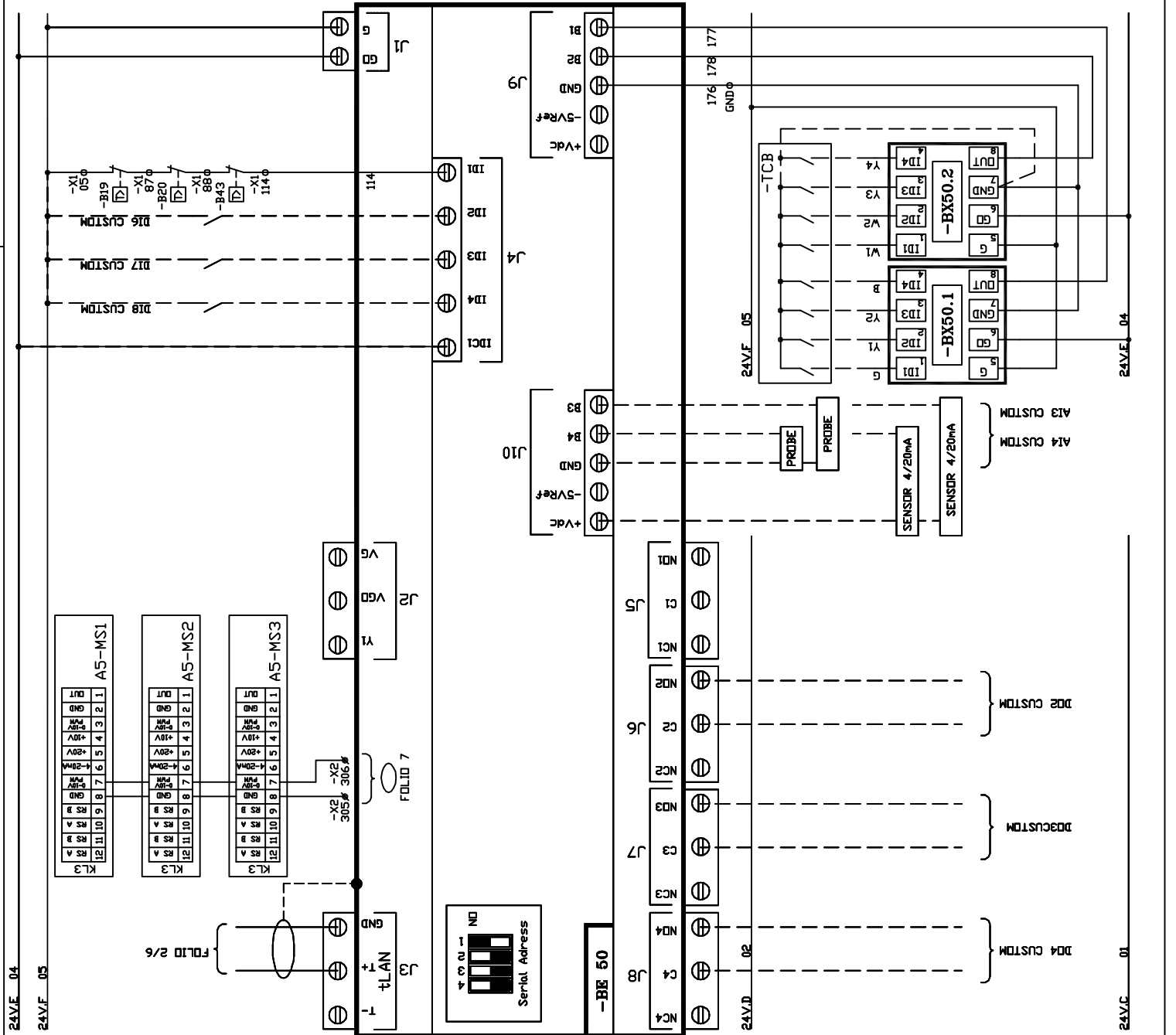
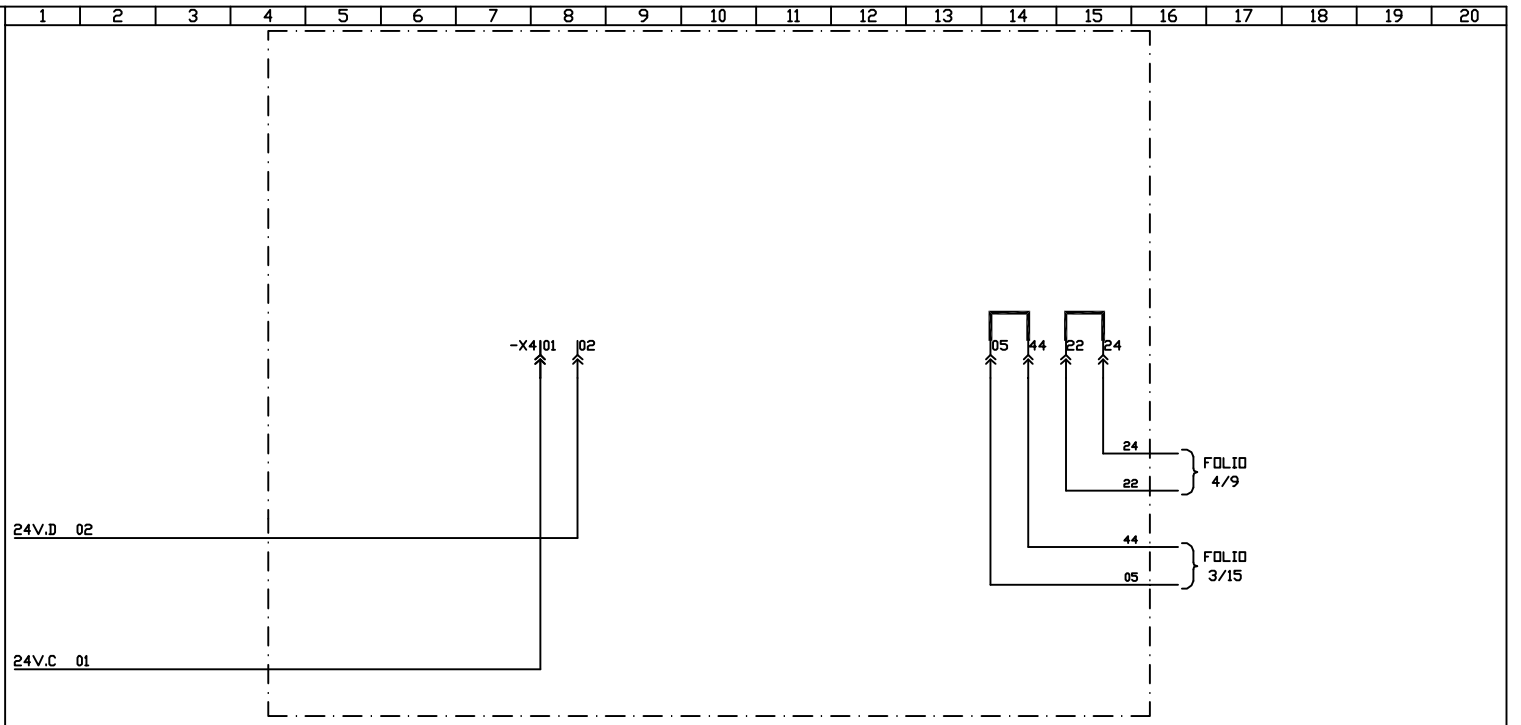
(1) FHM 150 N
Entrées Automate CLIMATIC 50
Climatic 50 Controller Input

Dessine: T/Y
Date: 09.10.07



257351 3/11





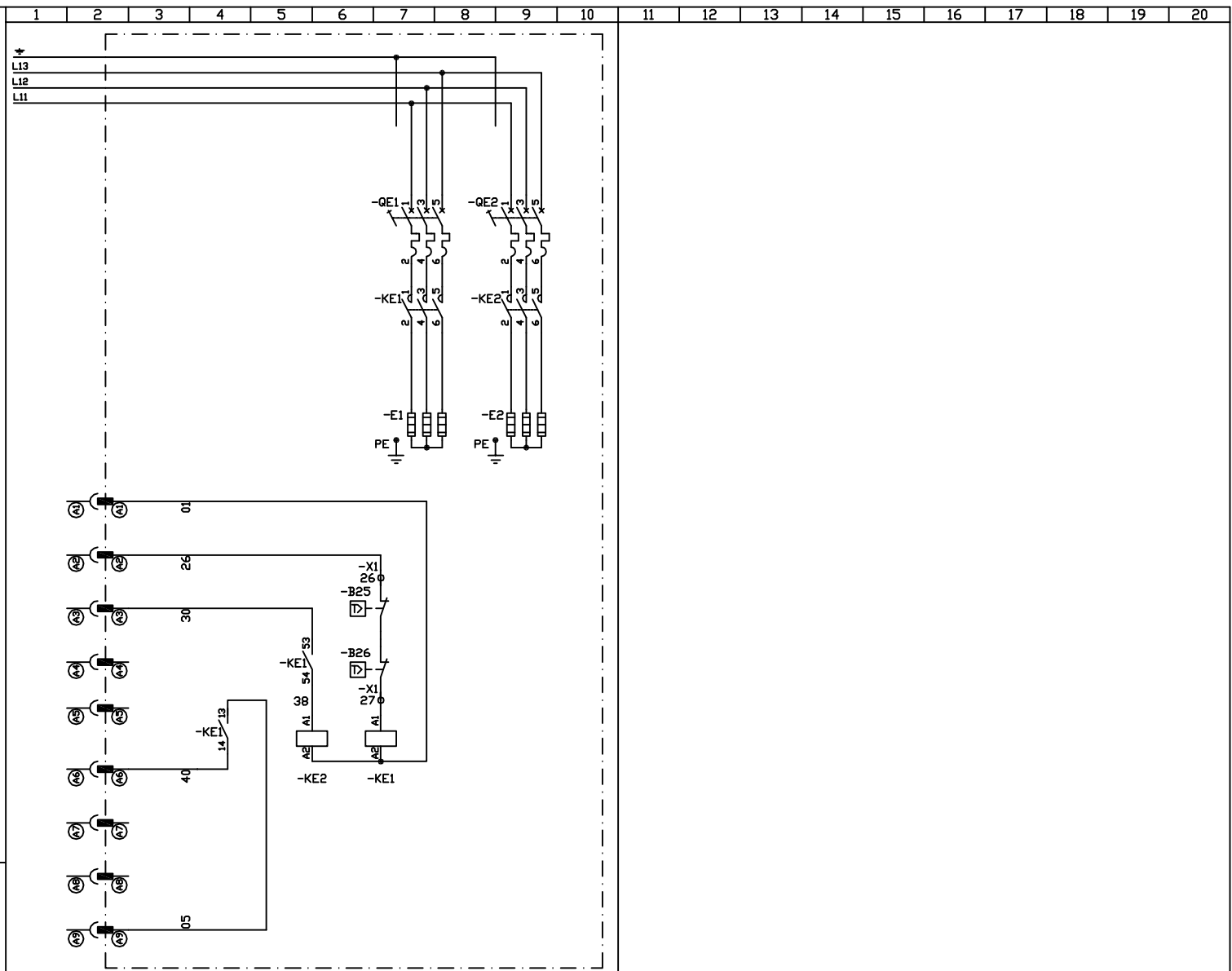
Indice	DATE	NOM	MODIFICATIONS

(1) FHM 150 N
 DAD \ BE50
 DAD \ BE50

Dessine: T/Y
 Date: 09.10.07



257351 5/11



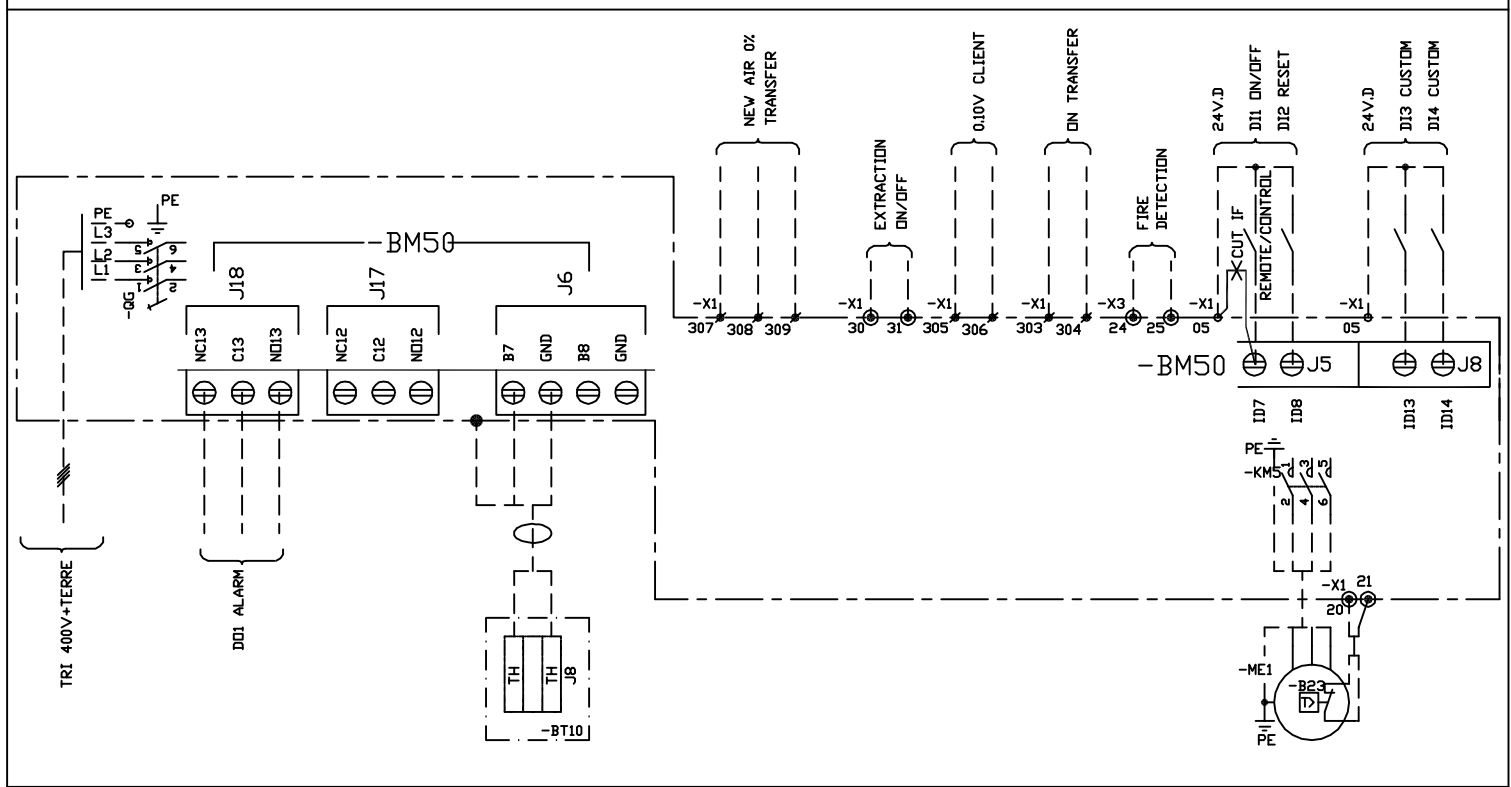
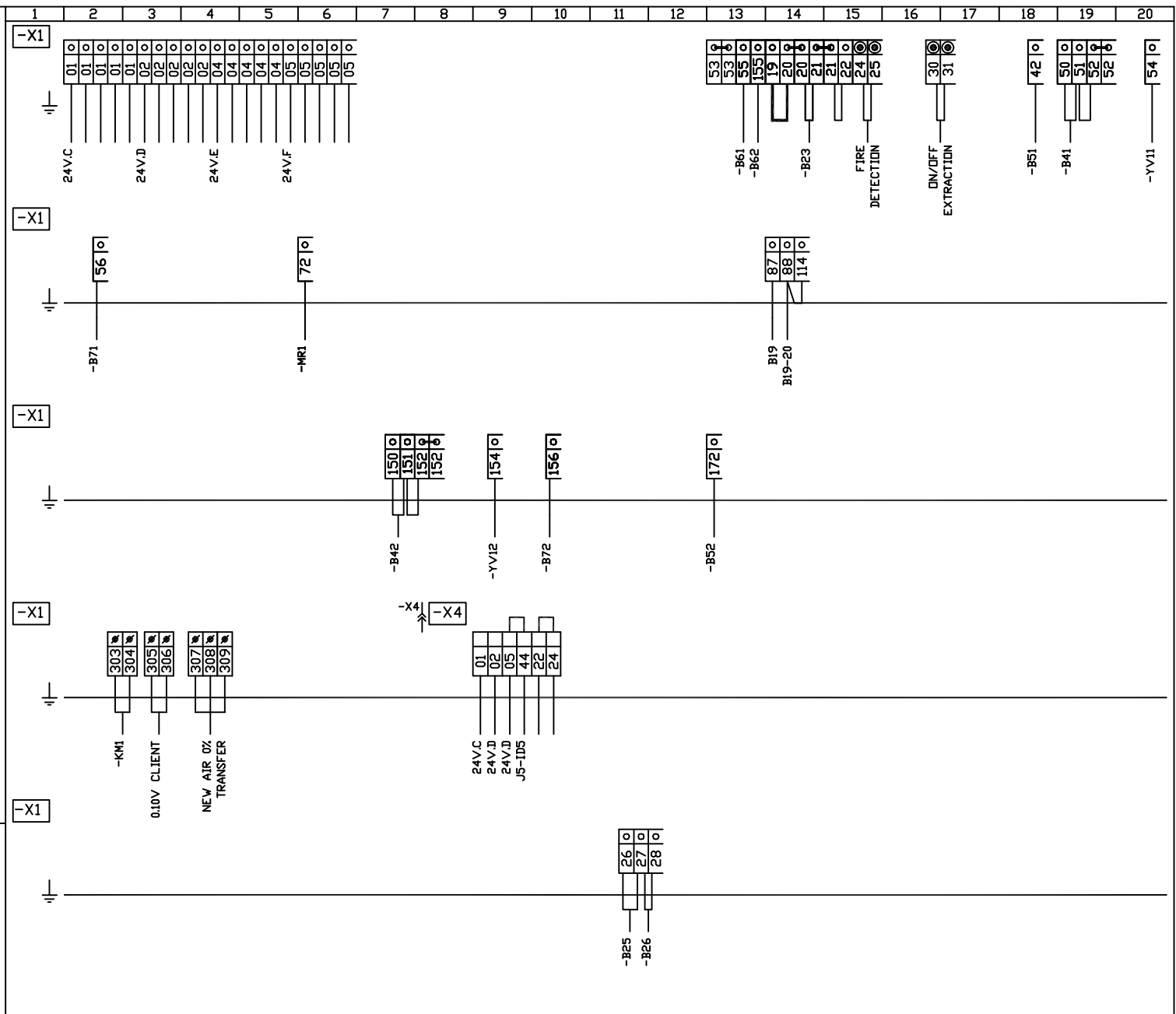
Indice	DATE	NOM	MODIFICATIONS

(1) FHM 150 N
 Kit chauffage
 GAS

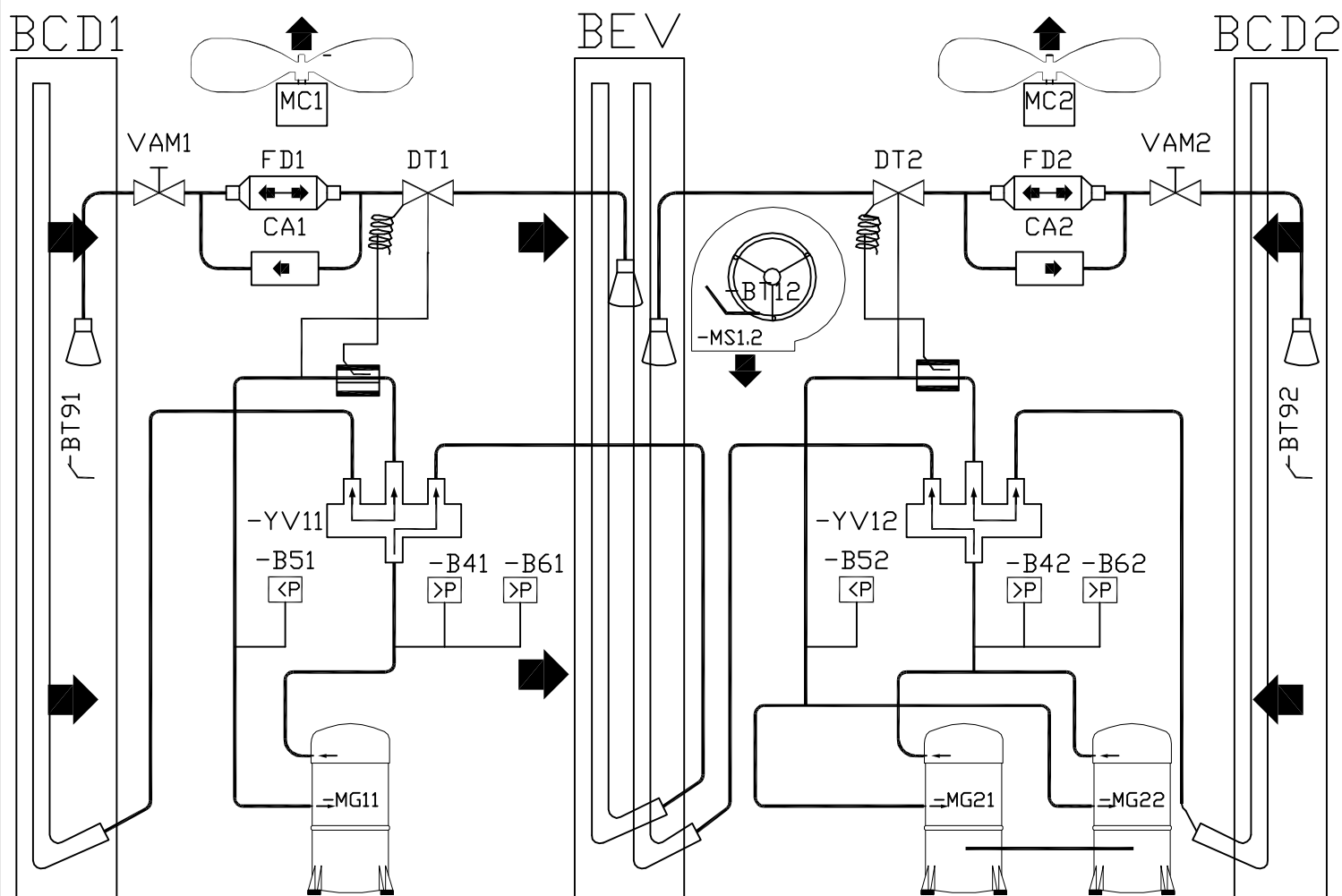
Dessine: T/Y
 Date: 09.10.07



257351 6/11



1	2	3	4	5	6	7	8	9	10	11	12	13	14	15	16	17	18	19	20																																																																																																							
													<table border="1"> <thead> <tr> <th>REPÈRE</th><th>REFERENCE</th><th>CODE</th><th>Nb</th></tr> </thead> <tbody> <tr> <td>-QG</td><td>INTER DT 250 E03</td><td>4480683R</td><td>1</td></tr> <tr> <td>-QG</td><td>POIGNEE</td><td>4480668W</td><td>1</td></tr> <tr> <td>-QG</td><td>CACHE BORNES DTS 250 GIL/3</td><td>4480699P</td><td>1</td></tr> <tr> <td>-QG</td><td>AXE DXP6x210</td><td>4480686W</td><td>1</td></tr> <tr> <td>-QG</td><td>ISOLATEUR ISD 30 M6 REF:551440</td><td>5480311J</td><td>4</td></tr> <tr> <td>-QG</td><td>PLAT CU 25x5 LONG:220mm</td><td>5480307Z</td><td>1</td></tr> <tr> <td>-QG</td><td>PLAT CU 25x5 LONG:220mm</td><td>5480307Z</td><td>3</td></tr> <tr> <td>-QG</td><td>ISOLATEUR ISD 30 M6 REF:551440</td><td>5480311J</td><td>6</td></tr> <tr> <td>-QG</td><td>Plexi de protection</td><td>77570134</td><td>1</td></tr> </tbody> </table>		REPÈRE	REFERENCE	CODE	Nb	-QG	INTER DT 250 E03	4480683R	1	-QG	POIGNEE	4480668W	1	-QG	CACHE BORNES DTS 250 GIL/3	4480699P	1	-QG	AXE DXP6x210	4480686W	1	-QG	ISOLATEUR ISD 30 M6 REF:551440	5480311J	4	-QG	PLAT CU 25x5 LONG:220mm	5480307Z	1	-QG	PLAT CU 25x5 LONG:220mm	5480307Z	3	-QG	ISOLATEUR ISD 30 M6 REF:551440	5480311J	6	-QG	Plexi de protection	77570134	1																																																																				
REPÈRE	REFERENCE	CODE	Nb																																																																																																																							
-QG	INTER DT 250 E03	4480683R	1																																																																																																																							
-QG	POIGNEE	4480668W	1																																																																																																																							
-QG	CACHE BORNES DTS 250 GIL/3	4480699P	1																																																																																																																							
-QG	AXE DXP6x210	4480686W	1																																																																																																																							
-QG	ISOLATEUR ISD 30 M6 REF:551440	5480311J	4																																																																																																																							
-QG	PLAT CU 25x5 LONG:220mm	5480307Z	1																																																																																																																							
-QG	PLAT CU 25x5 LONG:220mm	5480307Z	3																																																																																																																							
-QG	ISOLATEUR ISD 30 M6 REF:551440	5480311J	6																																																																																																																							
-QG	Plexi de protection	77570134	1																																																																																																																							
<table border="1"> <thead> <tr> <th>REPÈRE</th><th>REFERENCE</th><th>CODE</th><th>Nb</th></tr> </thead> <tbody> <tr> <td>-Q1</td><td>C60N 3P3D 20A D REF:24603</td><td>4480497T</td><td>1</td></tr> <tr> <td>-Q1</td><td>CONTACT AUX. D/F REF:26924</td><td>5480156F</td><td>1</td></tr> <tr> <td>-KM1</td><td>LC1 D1810 B7</td><td>4410652F</td><td>1</td></tr> <tr> <td>-KM1</td><td>LA DN40</td><td>5410087M</td><td>1</td></tr> <tr> <td>-QE1</td><td>C60N 32A TRIPOL COURBE C</td><td>4480515V</td><td>1</td></tr> <tr> <td>-KE1</td><td>LAD 8N20</td><td>5410089P</td><td>1</td></tr> <tr> <td>-KE1</td><td>LC1 D18 B7</td><td>4410652F</td><td>1</td></tr> <tr> <td>-QE2</td><td>C60N 40A TRIPOL COURBE C</td><td>4480516W</td><td>1</td></tr> <tr> <td>-KE2</td><td>LC1 D25 B7</td><td>4410653H</td><td>1</td></tr> <tr> <td>-B13</td><td>697 9500010A</td><td>4730097A</td><td>1</td></tr> <tr> <td>-B13</td><td>SUPPORT PLAN N 3172211</td><td>4148197R</td><td>1</td></tr> <tr> <td>-QF1</td><td>C60N 24583 4A BIPOL COURBE D</td><td>4480591H</td><td>1</td></tr> <tr> <td>-T1</td><td>300VA 400V/24V/24V</td><td>4430136J</td><td>1</td></tr> <tr> <td>-Z1</td><td>LRC V2-022-220/400V</td><td>4770010X</td><td>1</td></tr> </tbody> </table>													REPÈRE	REFERENCE	CODE	Nb	-Q1	C60N 3P3D 20A D REF:24603	4480497T	1	-Q1	CONTACT AUX. D/F REF:26924	5480156F	1	-KM1	LC1 D1810 B7	4410652F	1	-KM1	LA DN40	5410087M	1	-QE1	C60N 32A TRIPOL COURBE C	4480515V	1	-KE1	LAD 8N20	5410089P	1	-KE1	LC1 D18 B7	4410652F	1	-QE2	C60N 40A TRIPOL COURBE C	4480516W	1	-KE2	LC1 D25 B7	4410653H	1	-B13	697 9500010A	4730097A	1	-B13	SUPPORT PLAN N 3172211	4148197R	1	-QF1	C60N 24583 4A BIPOL COURBE D	4480591H	1	-T1	300VA 400V/24V/24V	4430136J	1	-Z1	LRC V2-022-220/400V	4770010X	1	<table border="1"> <thead> <tr> <th>REPÈRE</th><th>REFERENCE</th><th>CODE</th><th>Nb</th></tr> </thead> <tbody> <tr> <td>-BMS0</td><td>CLIMATIC 50</td><td>4770607Z</td><td>1</td></tr> <tr> <td>-BE50</td><td>Extension CLIMATIC 50</td><td>4770615M</td><td>1</td></tr> <tr> <td>-BX50.1.2</td><td>MULTIPLIXEUR TCB</td><td>4770616N</td><td>2</td></tr> <tr> <td>-DT50</td><td>-DT50</td><td>4770623Y</td><td>1</td></tr> <tr> <td>BORNIER</td><td>D2.5/5.SNBT.2L DRANGE</td><td>5470163K</td><td>2</td></tr> <tr> <td></td><td>PLAQUE DE FERMETURE FED5.2L</td><td>5470512X</td><td>1</td></tr> <tr> <td></td><td>D2.5/5.2L GRISE</td><td>5470200N</td><td>1</td></tr> <tr> <td></td><td>PLAQUE DE FERMETURE FED5.2L</td><td>5470235P</td><td>1</td></tr> <tr> <td></td><td>D2.5/5.4L GRISE 24V.C.D</td><td>5470270R</td><td>16</td></tr> <tr> <td></td><td>PLAQUE DE FERMETURE FED5.4L</td><td>5470273V</td><td>1</td></tr> <tr> <td></td><td>LIAISON 4 POLES BJDLS.4</td><td>5470275Y</td><td>2</td></tr> </tbody> </table>		REPÈRE	REFERENCE	CODE	Nb	-BMS0	CLIMATIC 50	4770607Z	1	-BE50	Extension CLIMATIC 50	4770615M	1	-BX50.1.2	MULTIPLIXEUR TCB	4770616N	2	-DT50	-DT50	4770623Y	1	BORNIER	D2.5/5.SNBT.2L DRANGE	5470163K	2		PLAQUE DE FERMETURE FED5.2L	5470512X	1		D2.5/5.2L GRISE	5470200N	1		PLAQUE DE FERMETURE FED5.2L	5470235P	1		D2.5/5.4L GRISE 24V.C.D	5470270R	16		PLAQUE DE FERMETURE FED5.4L	5470273V	1		LIAISON 4 POLES BJDLS.4	5470275Y	2
REPÈRE	REFERENCE	CODE	Nb																																																																																																																							
-Q1	C60N 3P3D 20A D REF:24603	4480497T	1																																																																																																																							
-Q1	CONTACT AUX. D/F REF:26924	5480156F	1																																																																																																																							
-KM1	LC1 D1810 B7	4410652F	1																																																																																																																							
-KM1	LA DN40	5410087M	1																																																																																																																							
-QE1	C60N 32A TRIPOL COURBE C	4480515V	1																																																																																																																							
-KE1	LAD 8N20	5410089P	1																																																																																																																							
-KE1	LC1 D18 B7	4410652F	1																																																																																																																							
-QE2	C60N 40A TRIPOL COURBE C	4480516W	1																																																																																																																							
-KE2	LC1 D25 B7	4410653H	1																																																																																																																							
-B13	697 9500010A	4730097A	1																																																																																																																							
-B13	SUPPORT PLAN N 3172211	4148197R	1																																																																																																																							
-QF1	C60N 24583 4A BIPOL COURBE D	4480591H	1																																																																																																																							
-T1	300VA 400V/24V/24V	4430136J	1																																																																																																																							
-Z1	LRC V2-022-220/400V	4770010X	1																																																																																																																							
REPÈRE	REFERENCE	CODE	Nb																																																																																																																							
-BMS0	CLIMATIC 50	4770607Z	1																																																																																																																							
-BE50	Extension CLIMATIC 50	4770615M	1																																																																																																																							
-BX50.1.2	MULTIPLIXEUR TCB	4770616N	2																																																																																																																							
-DT50	-DT50	4770623Y	1																																																																																																																							
BORNIER	D2.5/5.SNBT.2L DRANGE	5470163K	2																																																																																																																							
	PLAQUE DE FERMETURE FED5.2L	5470512X	1																																																																																																																							
	D2.5/5.2L GRISE	5470200N	1																																																																																																																							
	PLAQUE DE FERMETURE FED5.2L	5470235P	1																																																																																																																							
	D2.5/5.4L GRISE 24V.C.D	5470270R	16																																																																																																																							
	PLAQUE DE FERMETURE FED5.4L	5470273V	1																																																																																																																							
	LIAISON 4 POLES BJDLS.4	5470275Y	2																																																																																																																							
<table border="1"> <thead> <tr> <th>REPÈRE</th><th>REFERENCE</th><th>CODE</th><th>Nb</th></tr> </thead> <tbody> <tr> <td></td><td>REPARTITEUR DE PHASES</td><td>4480175V</td><td>2</td></tr> <tr> <td>BARRETTE</td><td>TYPE MG 14979</td><td>5470186T</td><td>1</td></tr> <tr> <td>-Q5</td><td>C60N 3P3D 20A D REF:24603</td><td>4480497T</td><td>1</td></tr> <tr> <td>-KM5</td><td>LC1 D18 B7</td><td>4410652F</td><td>1</td></tr> </tbody> </table>													REPÈRE	REFERENCE	CODE	Nb		REPARTITEUR DE PHASES	4480175V	2	BARRETTE	TYPE MG 14979	5470186T	1	-Q5	C60N 3P3D 20A D REF:24603	4480497T	1	-KM5	LC1 D18 B7	4410652F	1																																																																																										
REPÈRE	REFERENCE	CODE	Nb																																																																																																																							
	REPARTITEUR DE PHASES	4480175V	2																																																																																																																							
BARRETTE	TYPE MG 14979	5470186T	1																																																																																																																							
-Q5	C60N 3P3D 20A D REF:24603	4480497T	1																																																																																																																							
-KM5	LC1 D18 B7	4410652F	1																																																																																																																							



Indice	DATE	NOM	MODIFICATIONS

(1) FHM 150 N
 Schéma Frigorifique \ Hydraulique
 Cooling \ Hydraulic Diagram

Dessine: T/Y
 Date: 09.10.07



257351 9/11

