

- BM 50

Input B1-B2-B3-B4

Input	1	2	3
0/1V	OFF	OFF	OFF
NTC	DN	OFF	OFF
0/20mA	OFF	DN	OFF
0/5V	OFF	OFF	DN

Input B5-B6

Input	digital input	NTC
DN	OFF	OFF

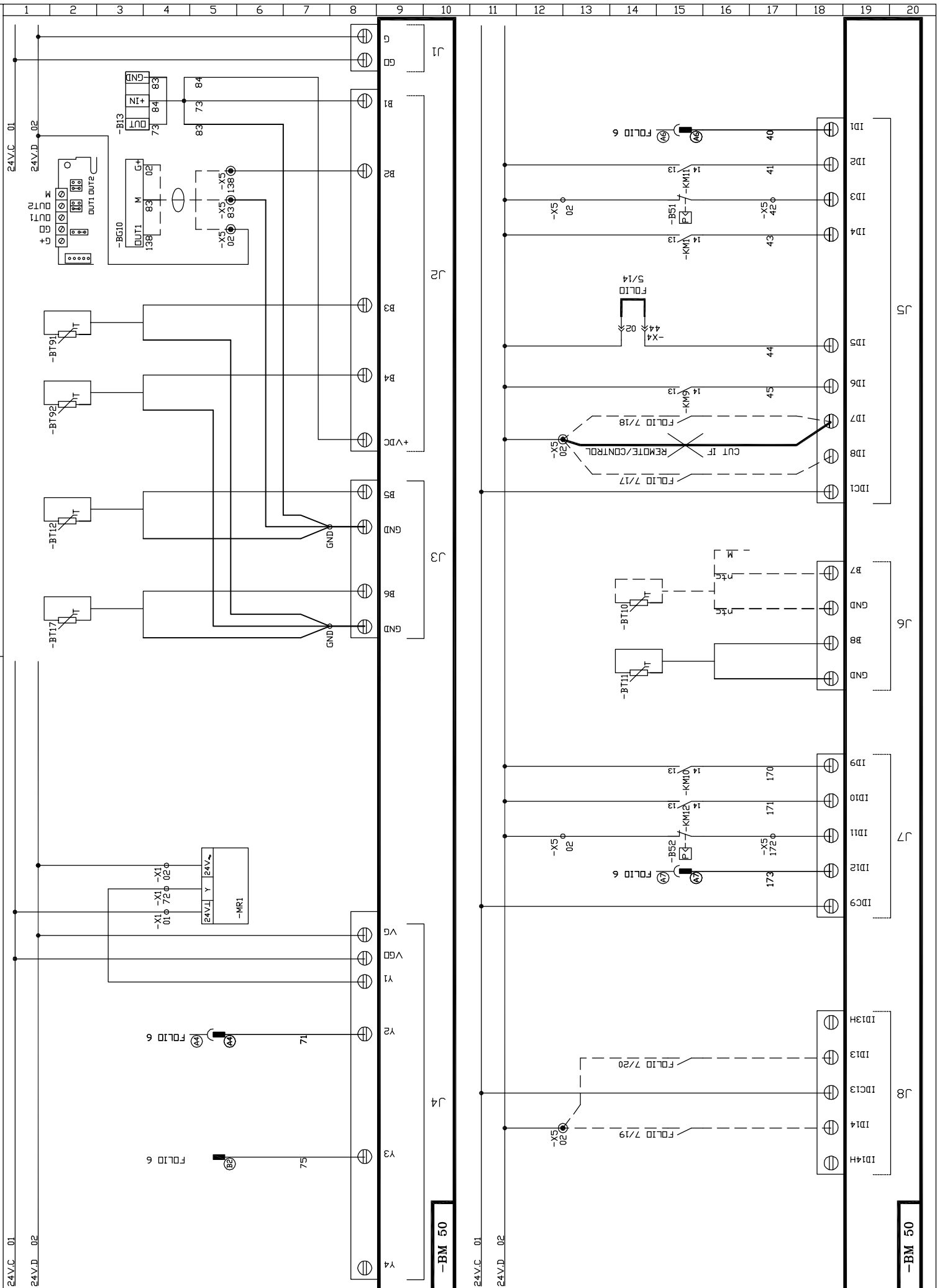
Input B1-B2-B3-B4

Input	1	2	3
0/1V	OFF	OFF	OFF
NTC	DN	OFF	OFF
0/20mA	OFF	DN	OFF
0/5V	OFF	OFF	DN

Input B5-B6

Input	digital input	NTC
DN	OFF	OFF

AVEC TCB SANS CARTE EXTENSION
WITHOUT EXTENSIONBOARD BE50



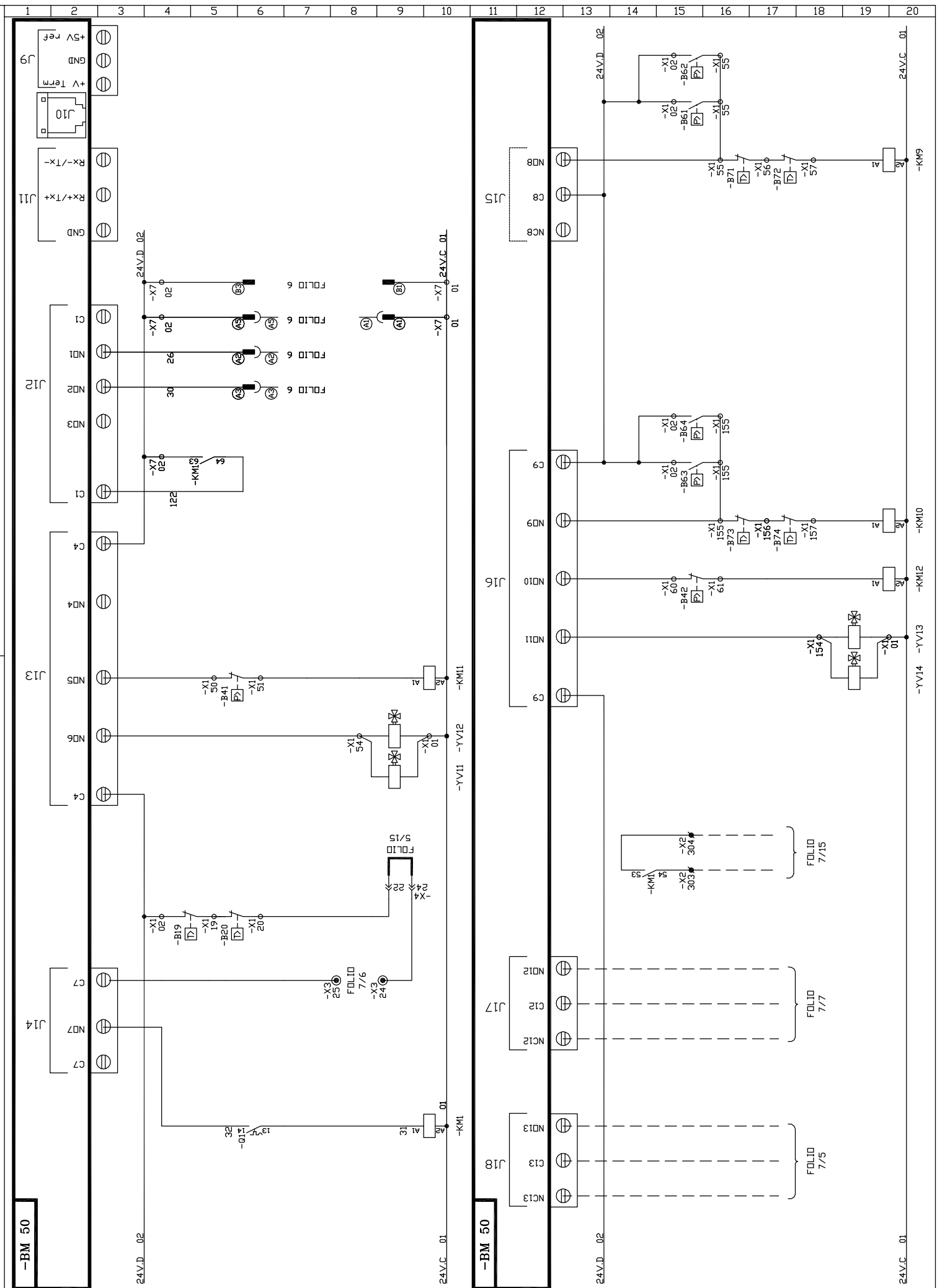
Indice	DATE	NOM	MODIFICATIONS

(1) FHK 160 N
Entrées Automate CLIMATIC 50
Climatic 50 Controller Input

Dessine: CTO
Date: 16.08.05



243805 3/11



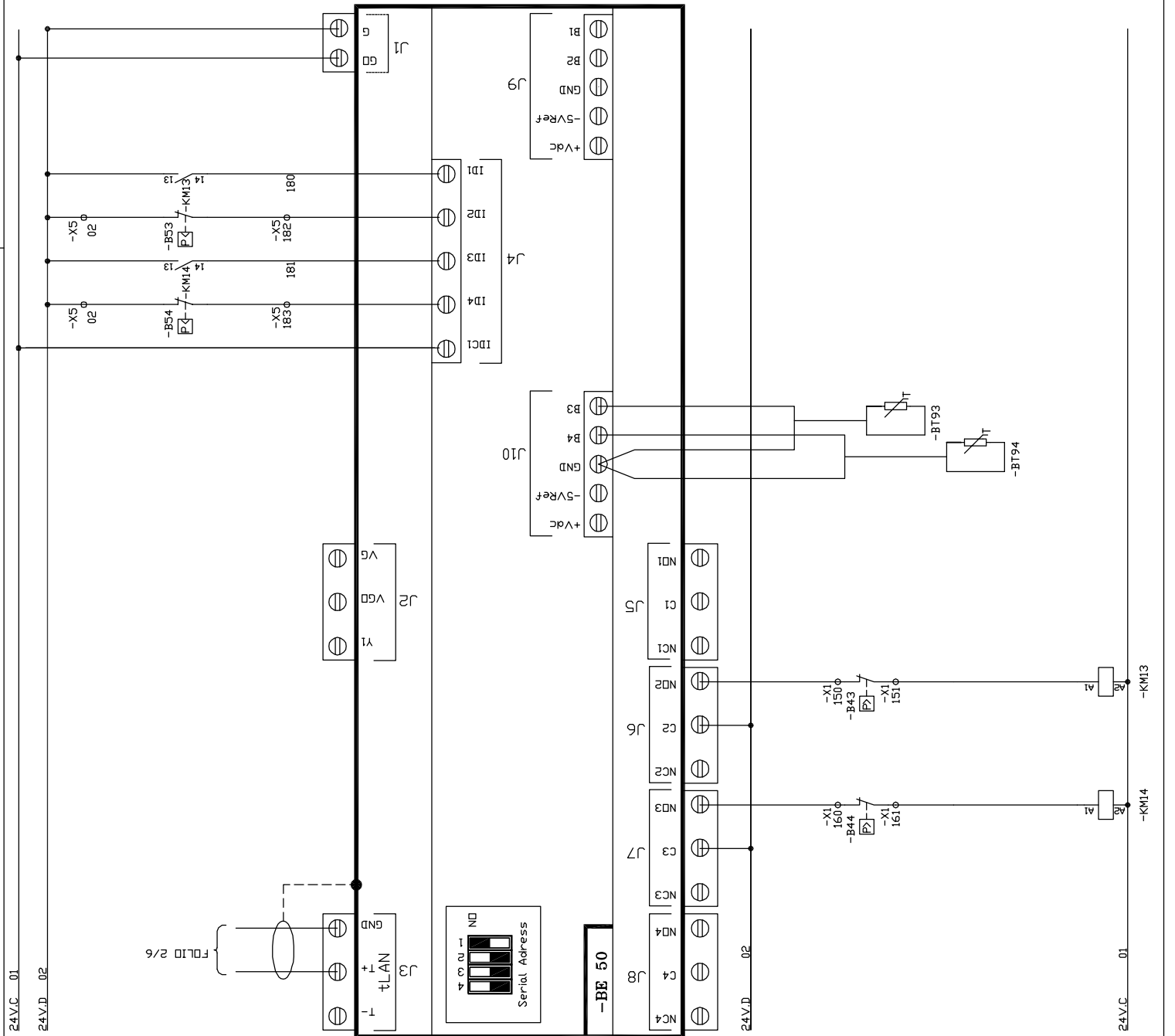
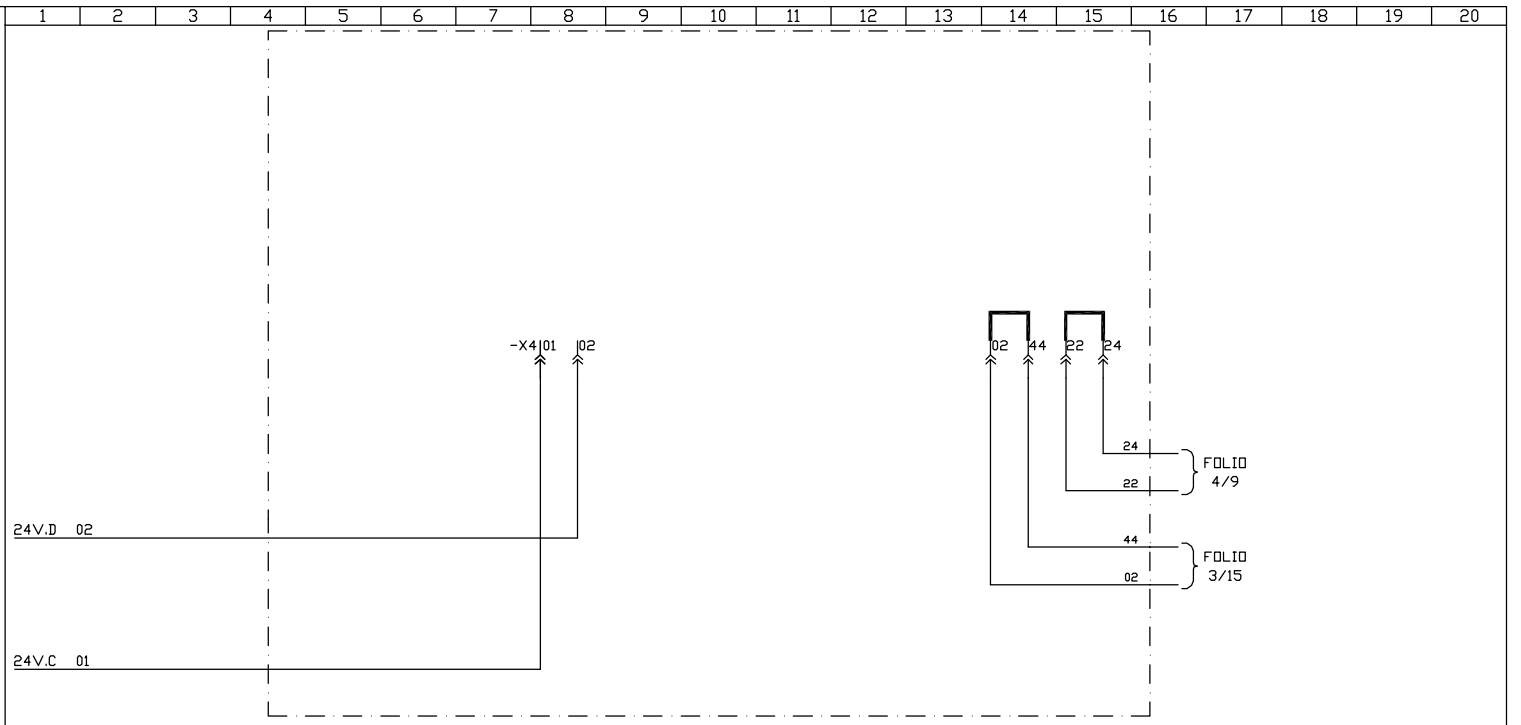
Indice	DATE	NOM	MODIFICATIONS

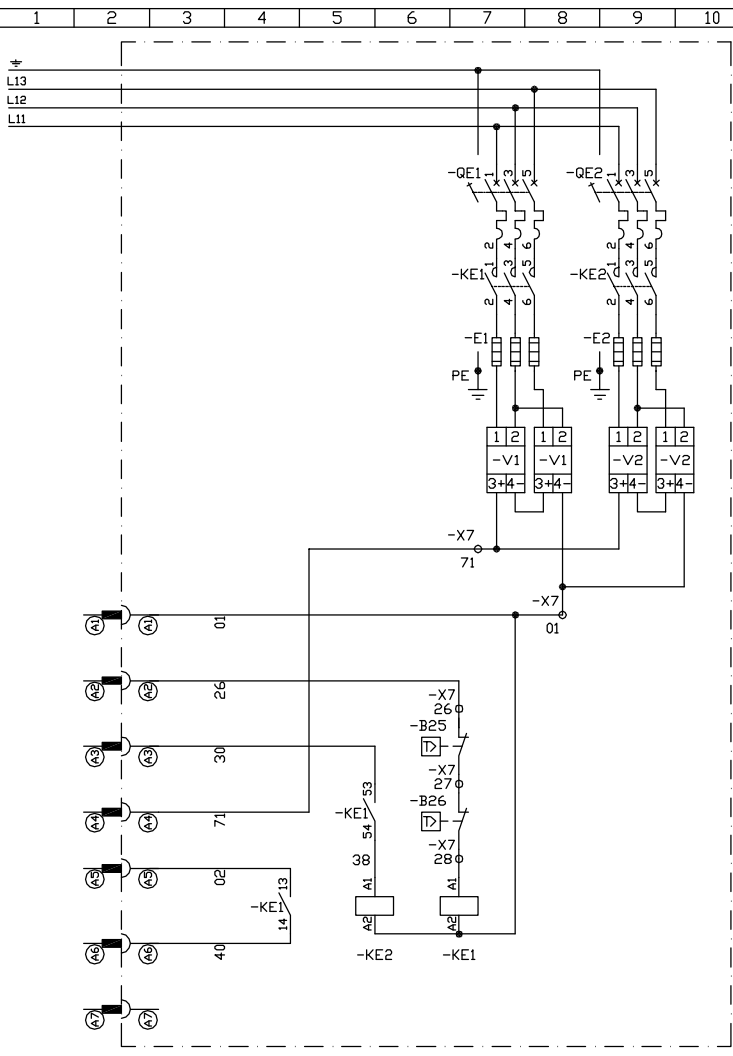
(1) FHK 160 N
Sorties Automate CLIMATIC 50
CLIMATIC 50 Controller Outputs

Dessine: CTO
Date: 16.08.05



243805 4/11





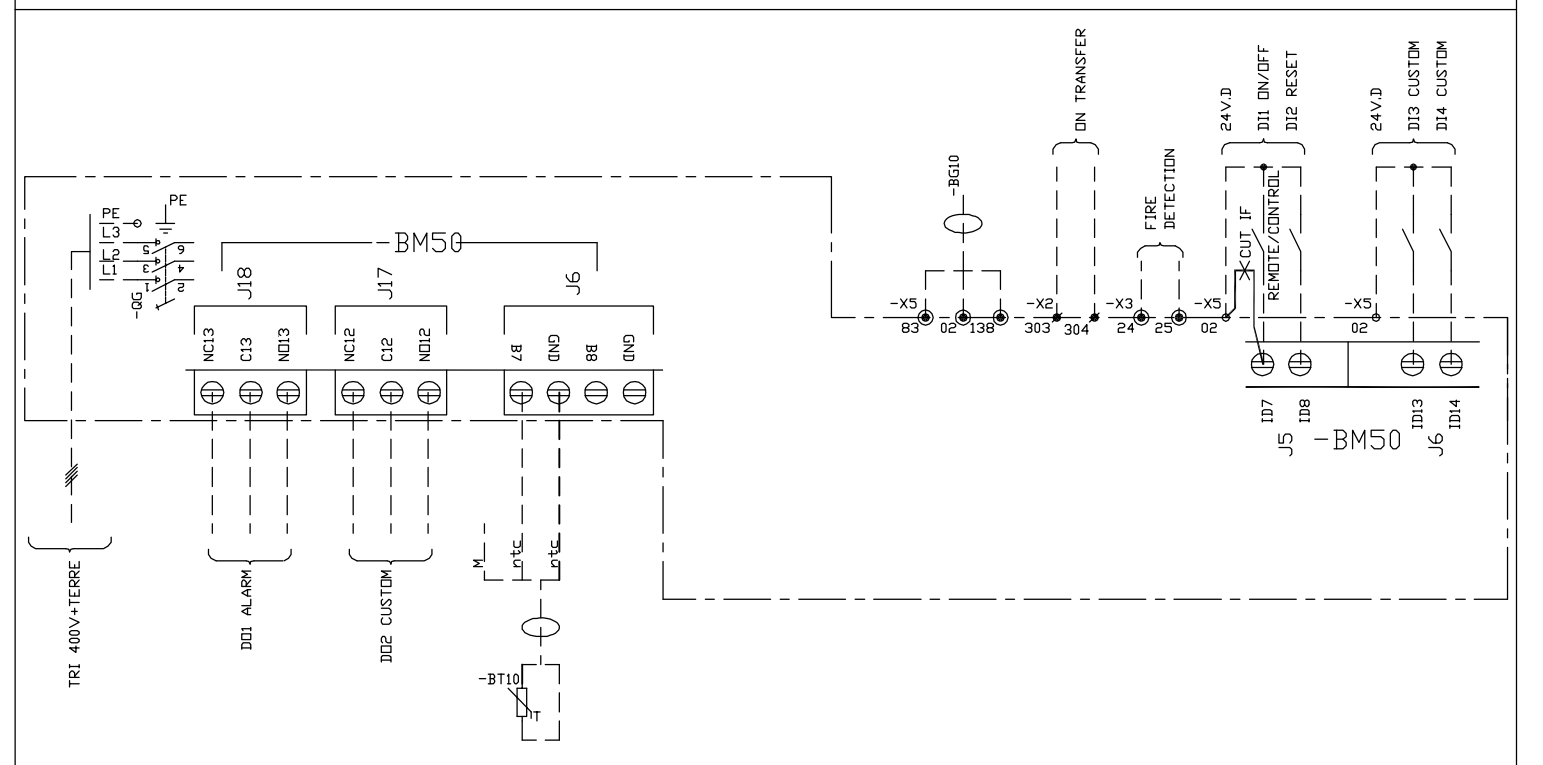
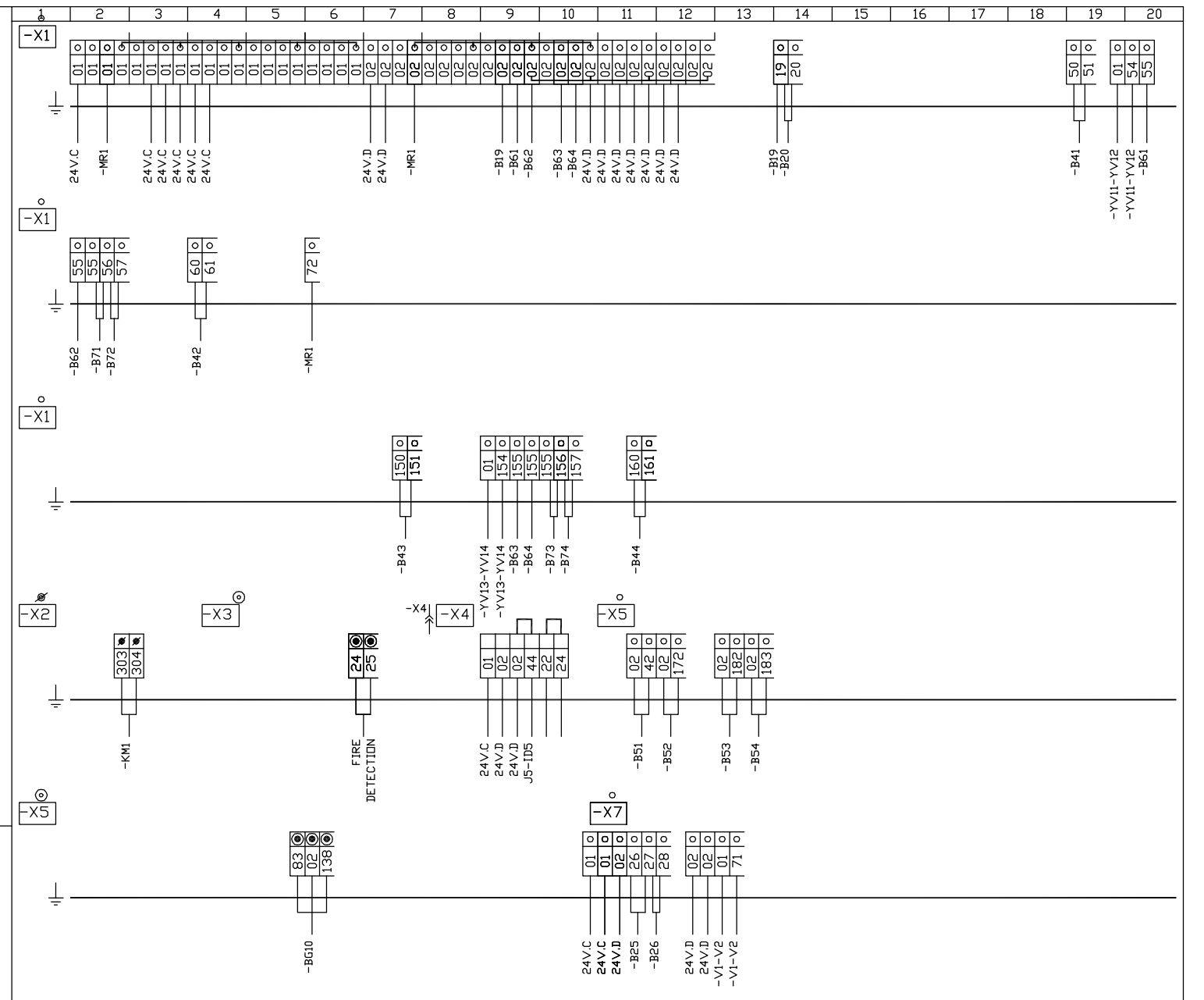
REPÈRE	REFERENCE	CODE	Nb
-QE1	C60N 63A TRIPOL COURBE C	4480518Y	1
-QE2	C60N 63A TRIPOL COURBE C	4480518Y	1
-KE1	LC1 D40 B7	4410655K	1
-KE1	LA1 DN11	5410082F	1
-KE2	LC1 D40 B7	4410655K	1
DISSIPATEUR	REF:26532762	4781303F	2
-V1-V2	G75A REF:84060841	4781301A	4

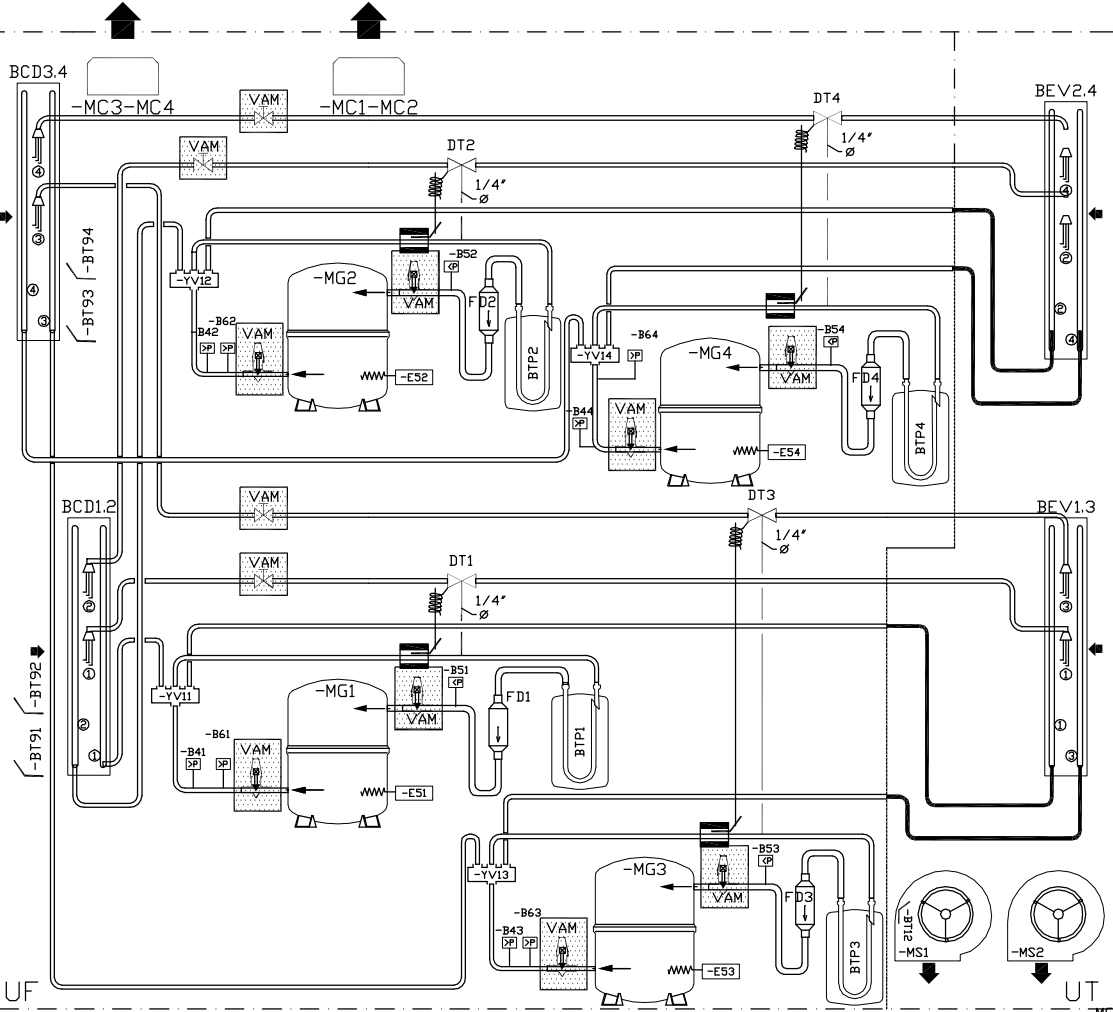
Indice	DATE	NOM	MODIFICATIONS

(1) FHK 160 N
Kit chauffage
GAS

Dessine: CTO
Date: 16.08.05



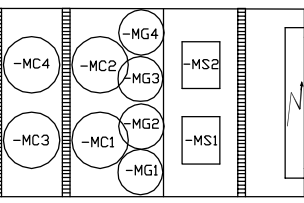
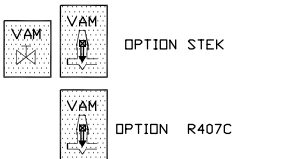




DIAMETRE TUYAUTERIES

REFOULEMENT	7/8"
ASPIRATION	1"1/8"
LIGNE LIQUIDE	5/8"

— TUYAUTERIE CALDRIFUGEE
 — TUYAUTERIE NON CALDRIFUGEE



Indice	DATE	NOM	MODIFICATIONS

(1) FHK 160 N
 Schéma Frigorifique \ Hydraulique
 Cooling \ Hydraulic Diagram

Dessine: CTO
 Date: 16.08.05



243805 9/11
 USINE DE LONGVIC

