
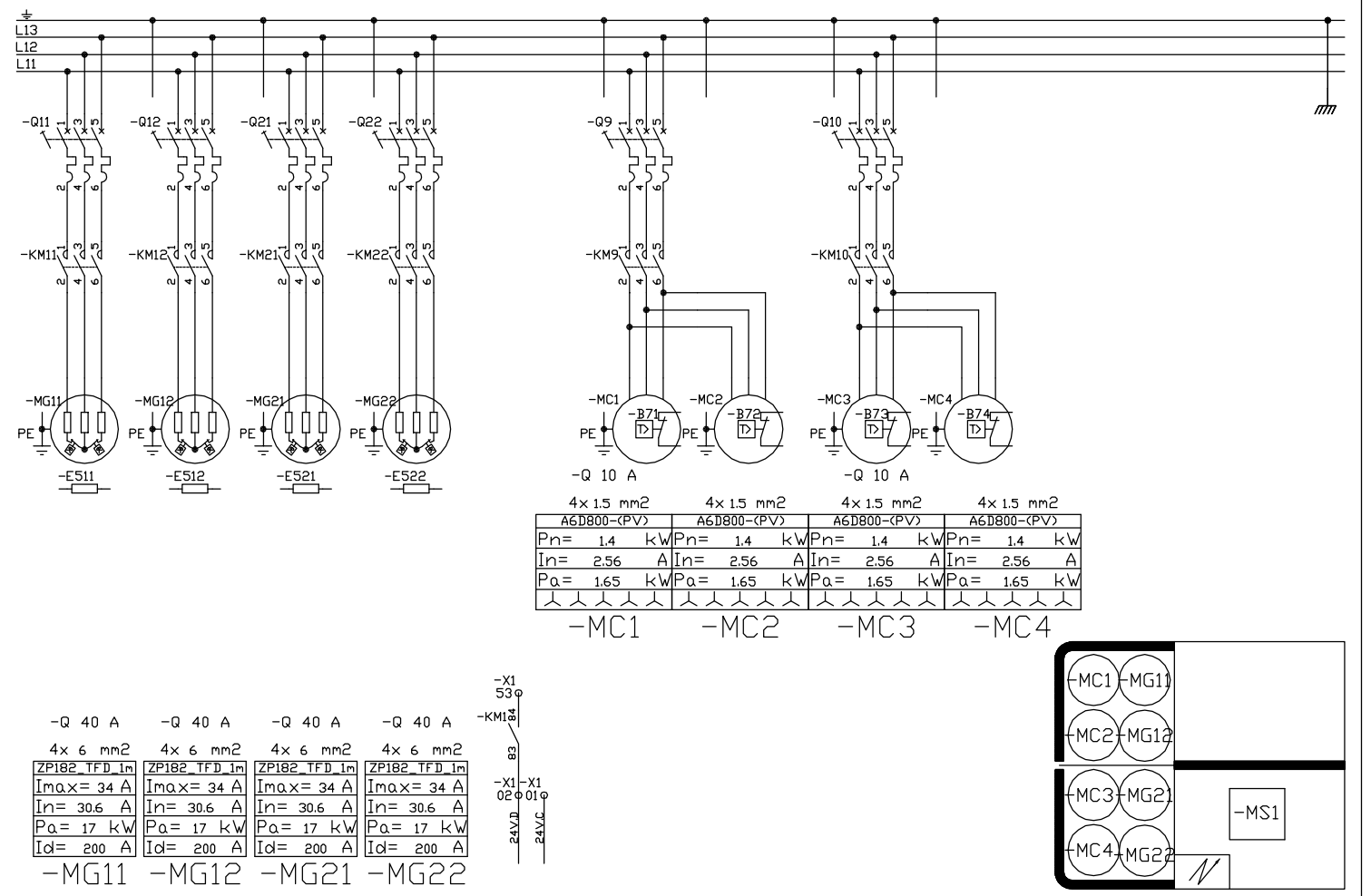
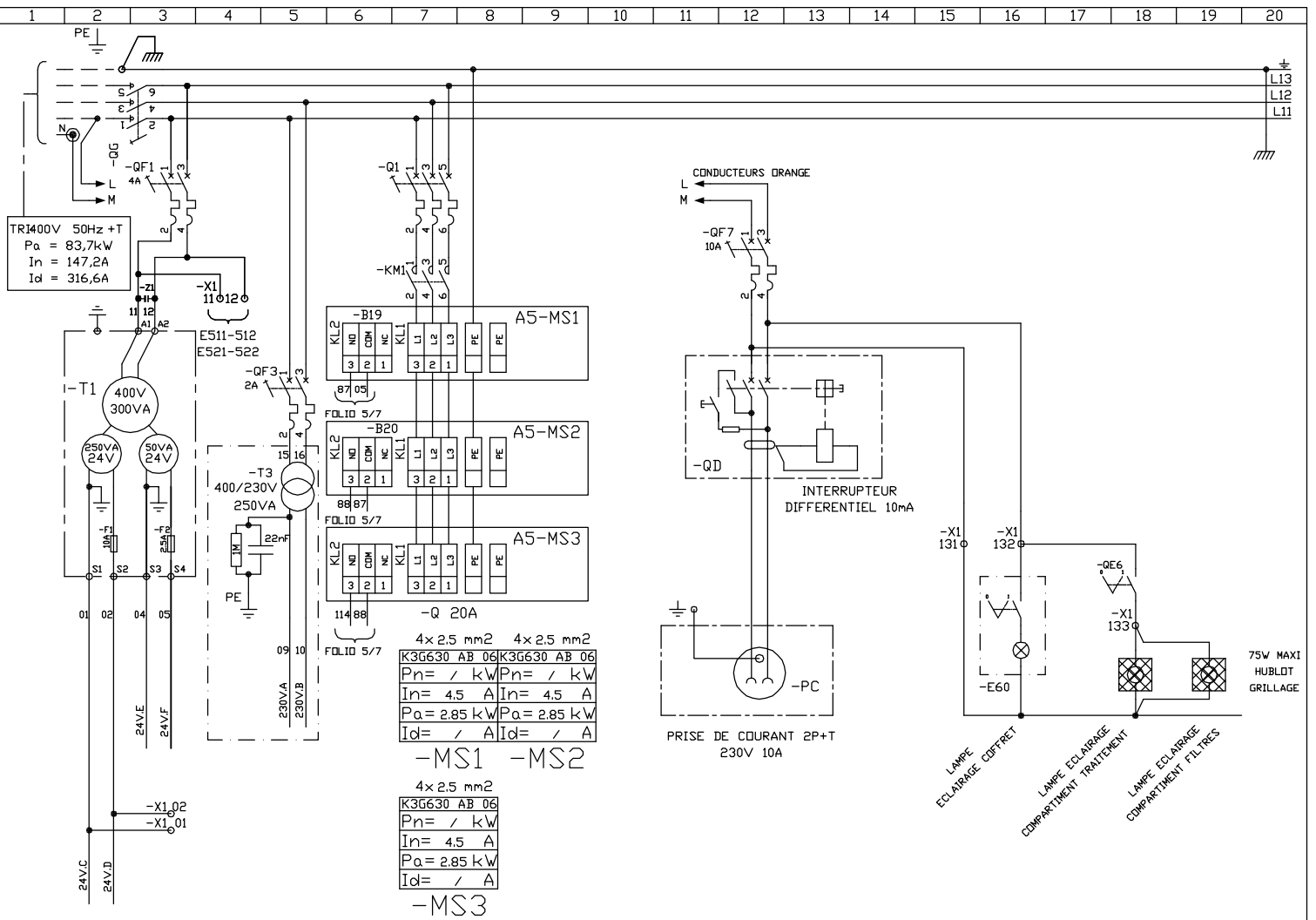
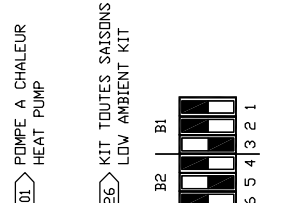
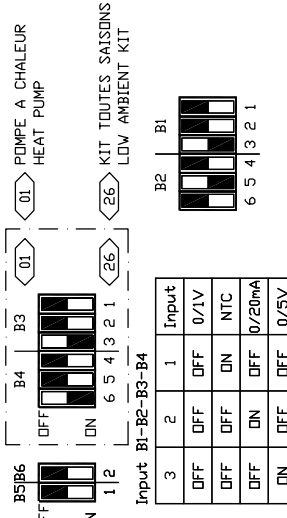
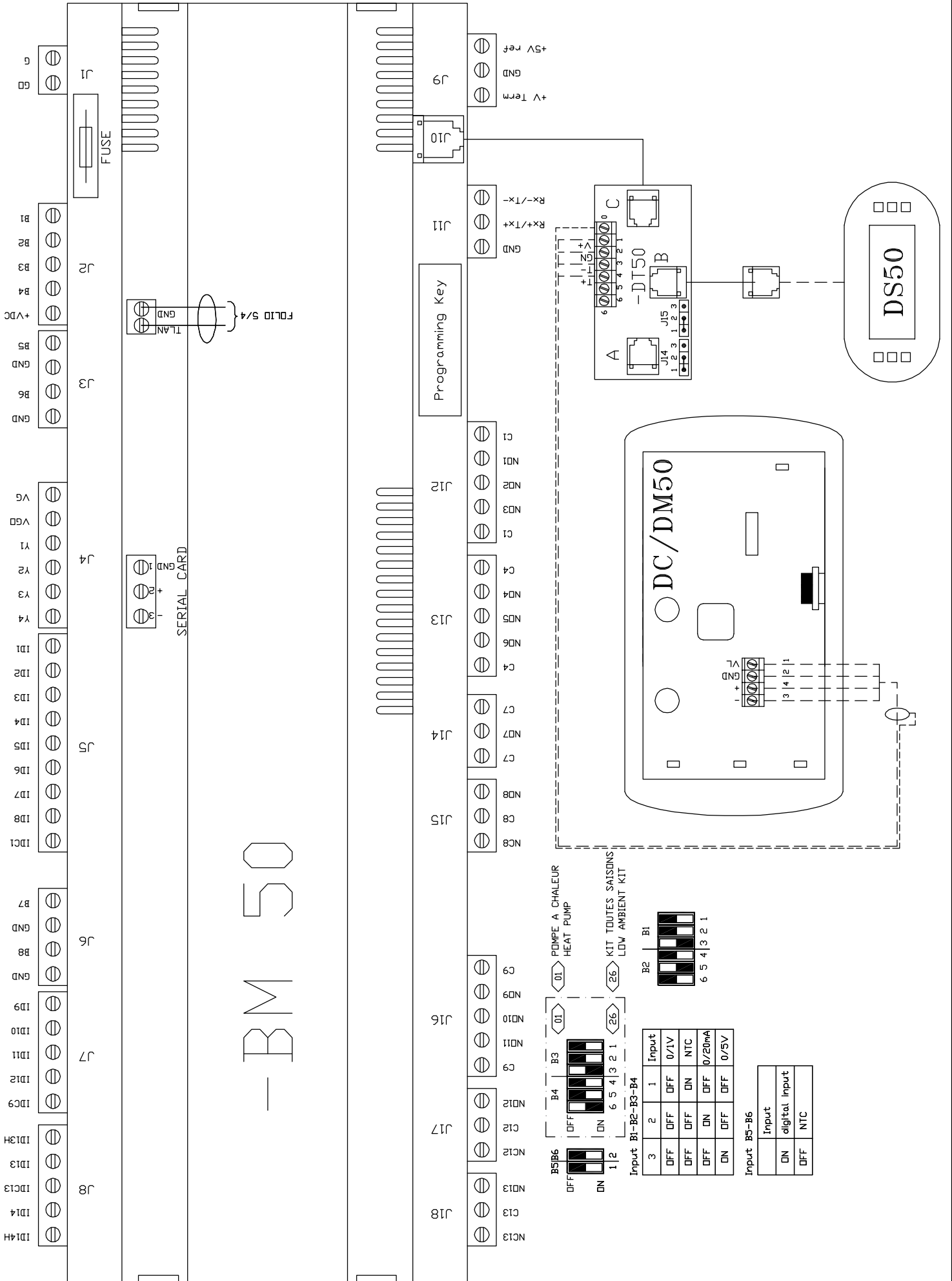


Indice	DATE	NOM	MODIFICATIONS	
				
<i>Asda Seaham</i>				
(2) FGM 200 H LENNOX UK			Dessine: T/Y Date: 16.05.07	PAGE DE GARDE
			<div style="border: 1px solid black; padding: 2px;">254006</div>	<div style="border: 1px solid black; padding: 2px;">0 / 11</div>



- BM 50



B5B6	1	2	3	Input
OFF	OFF	OFF	OFF	0/1V
DN	OFF	OFF	DN	NTC
DN	OFF	OFF	DN	0/20mA
DN	OFF	OFF	DN	0/5V

Input B1-B2-B3-B4

B3	1	2	3	4	5	6
OFF	OFF	OFF	OFF	OFF	OFF	OFF
DN	DN	DN	DN	DN	DN	DN

Input B1-B2-B3-B4

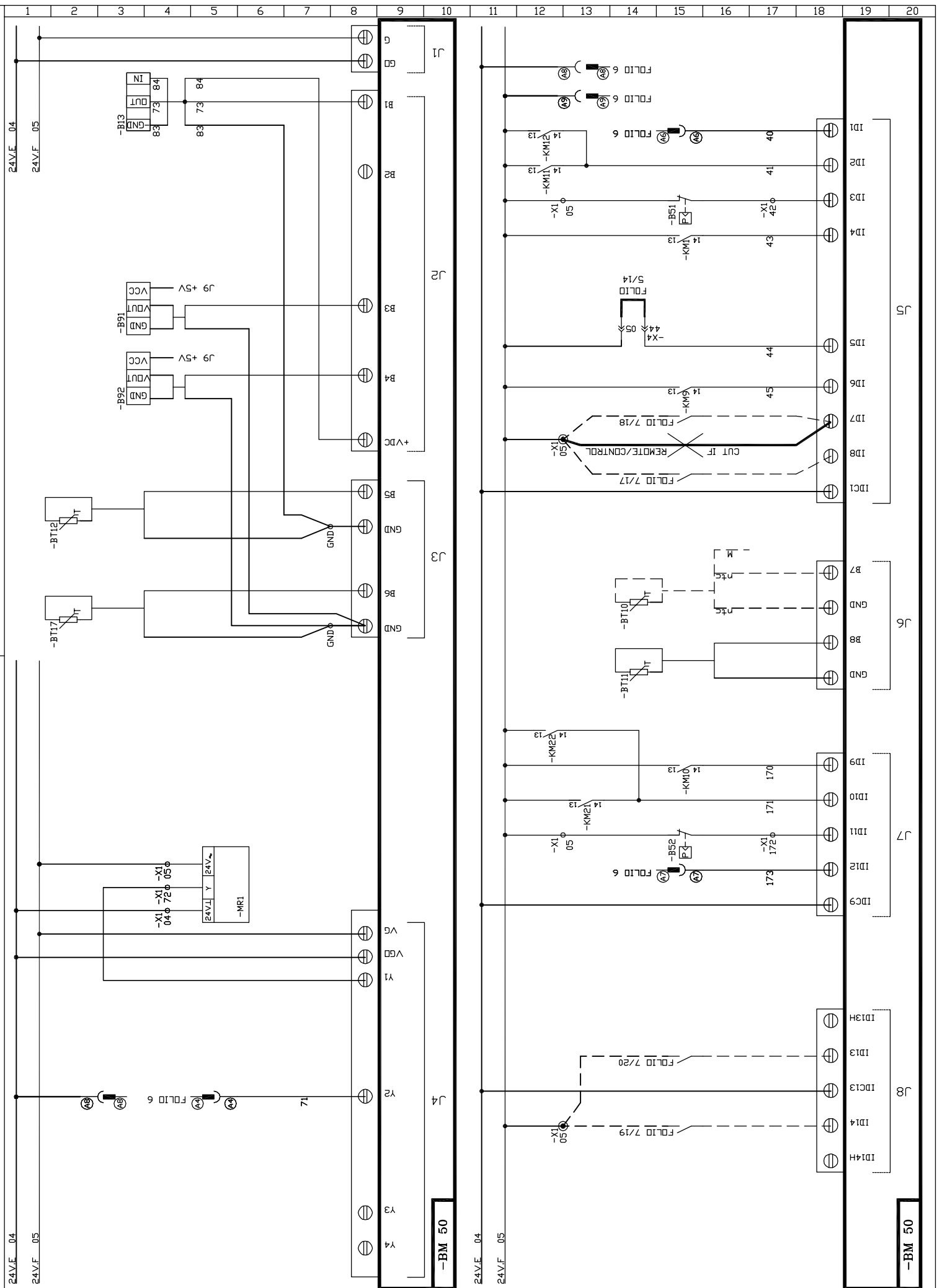
B4	1	2	3	4	5	6
OFF	OFF	OFF	OFF	OFF	OFF	OFF
DN	DN	DN	DN	DN	DN	DN

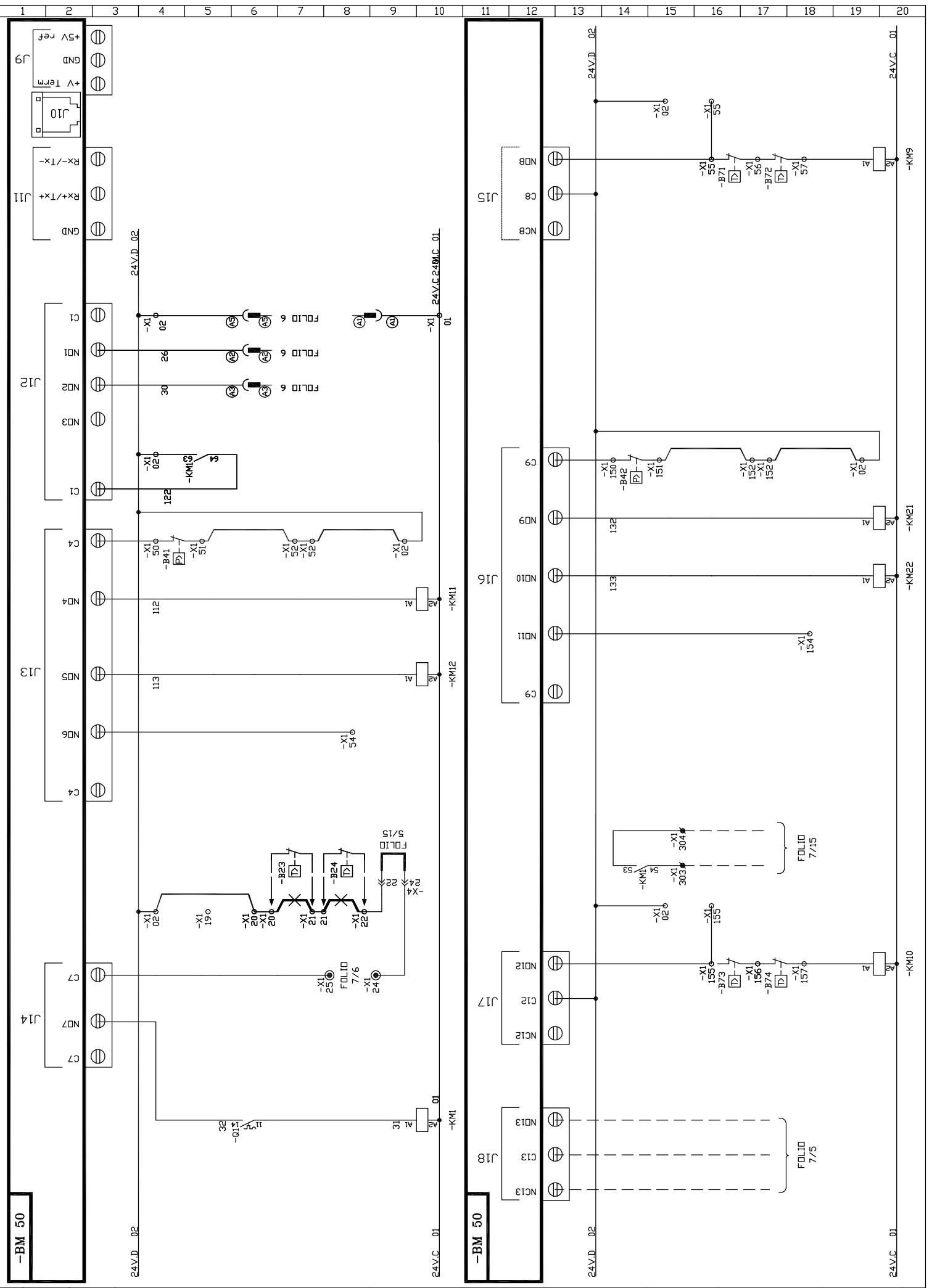
Input B1-B2-B3-B4

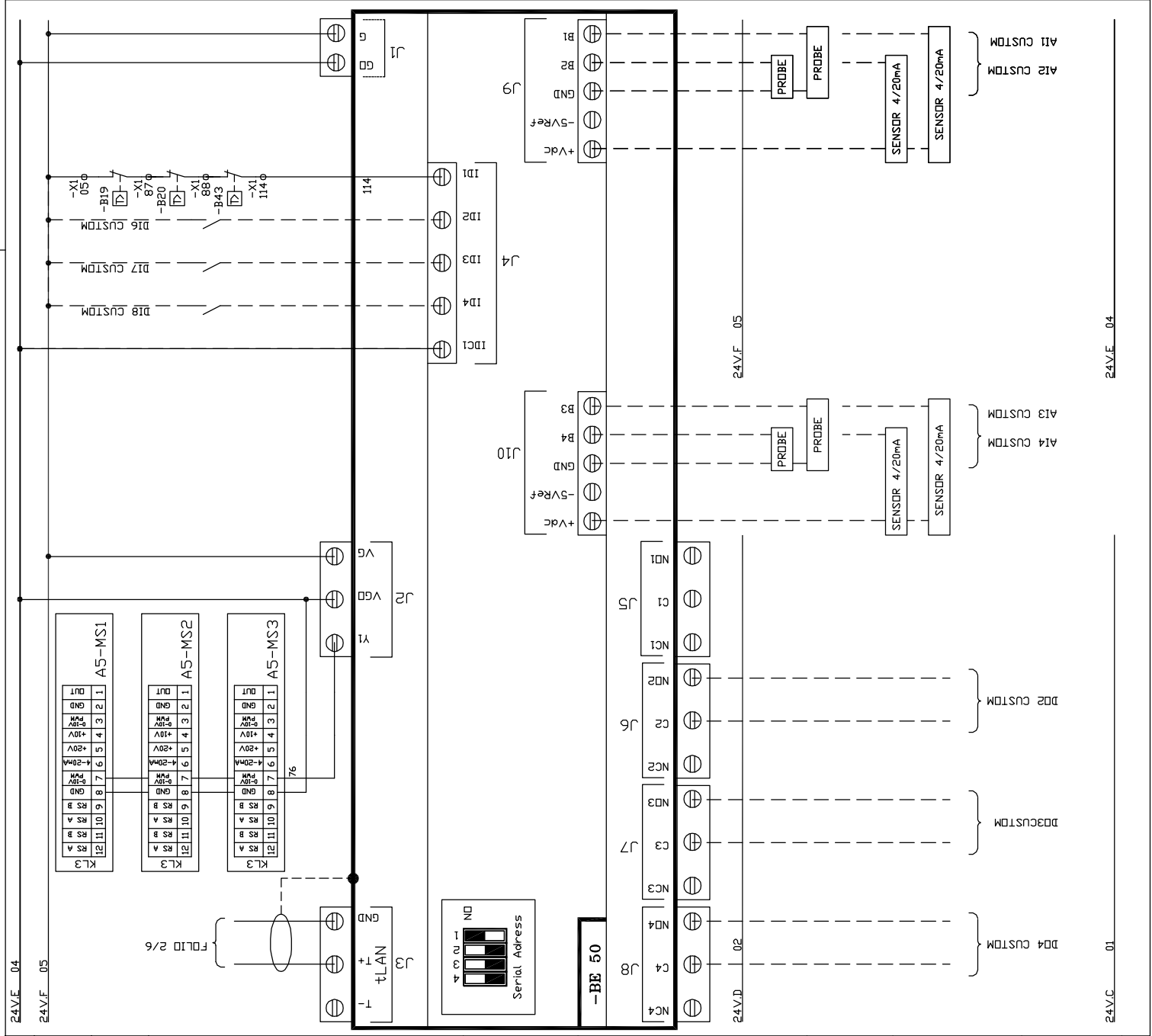
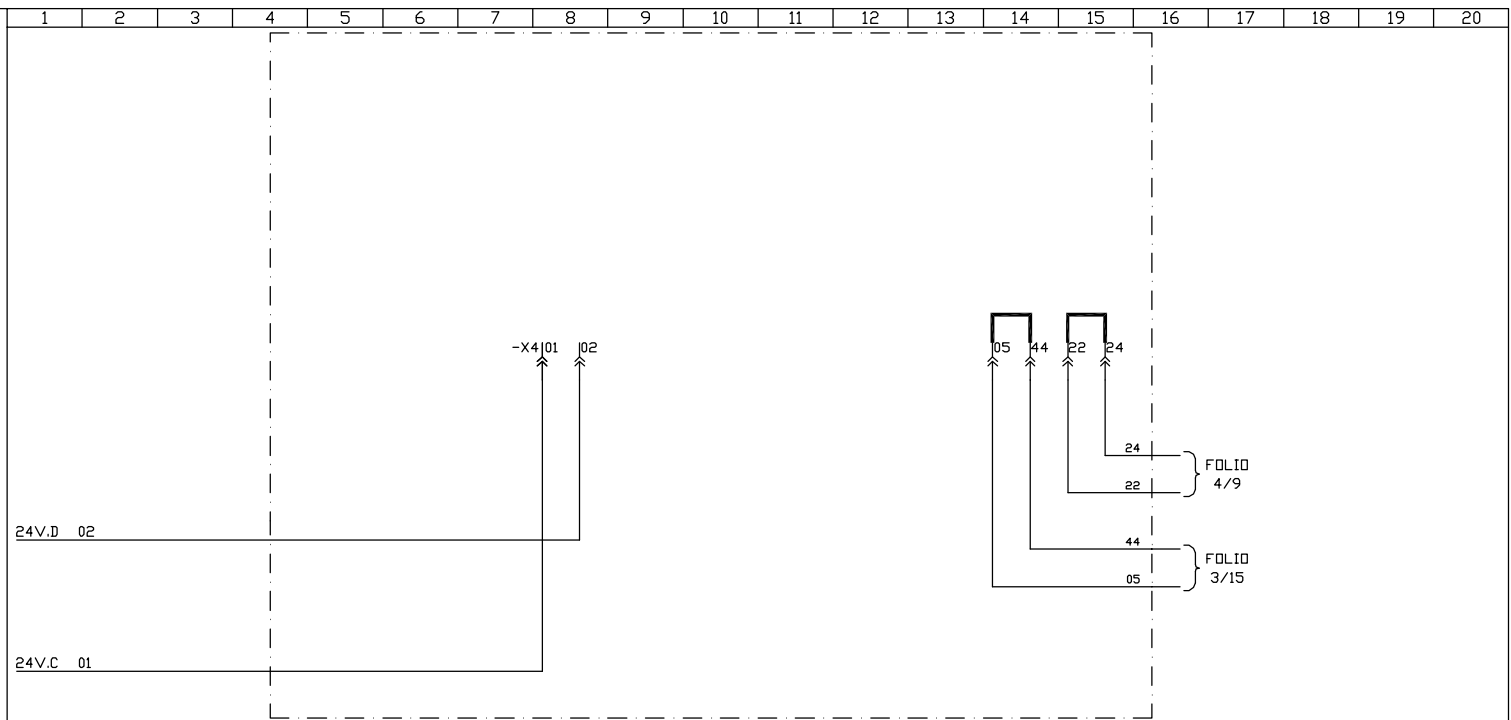
01 POMPES A CHALEUR
HEAT PUMP

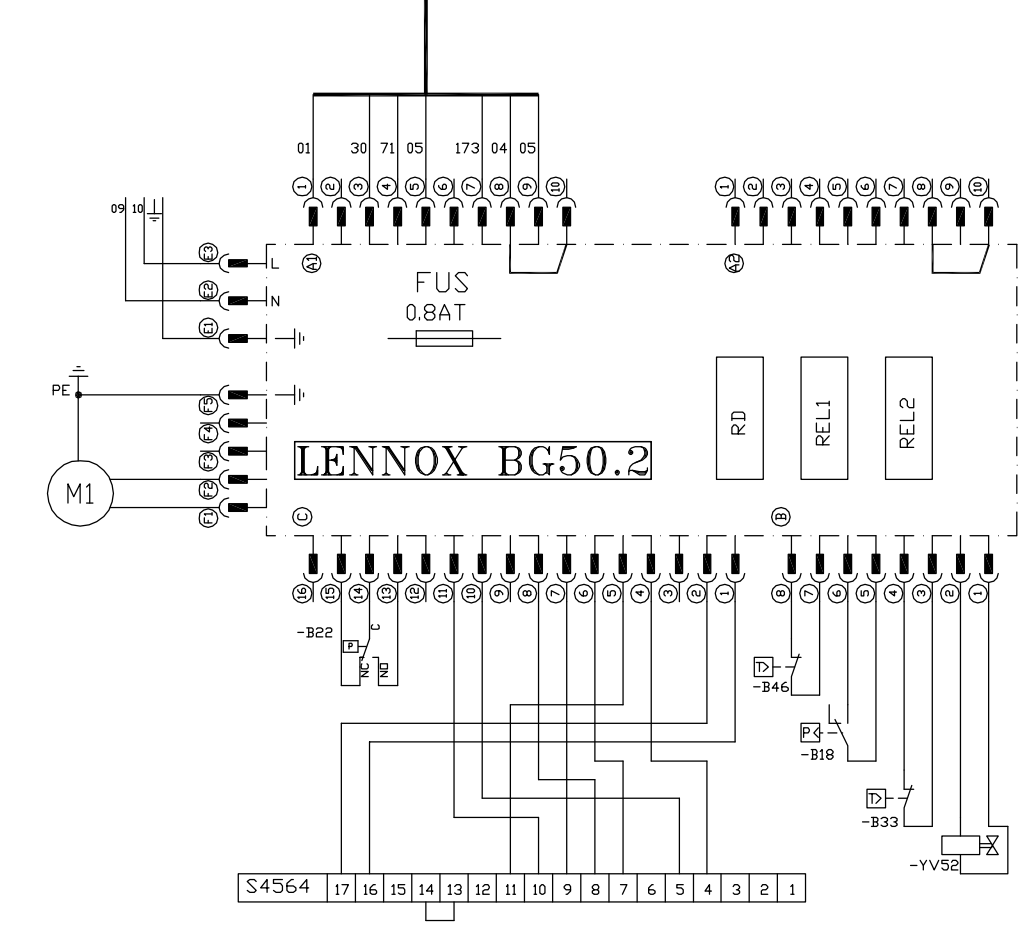
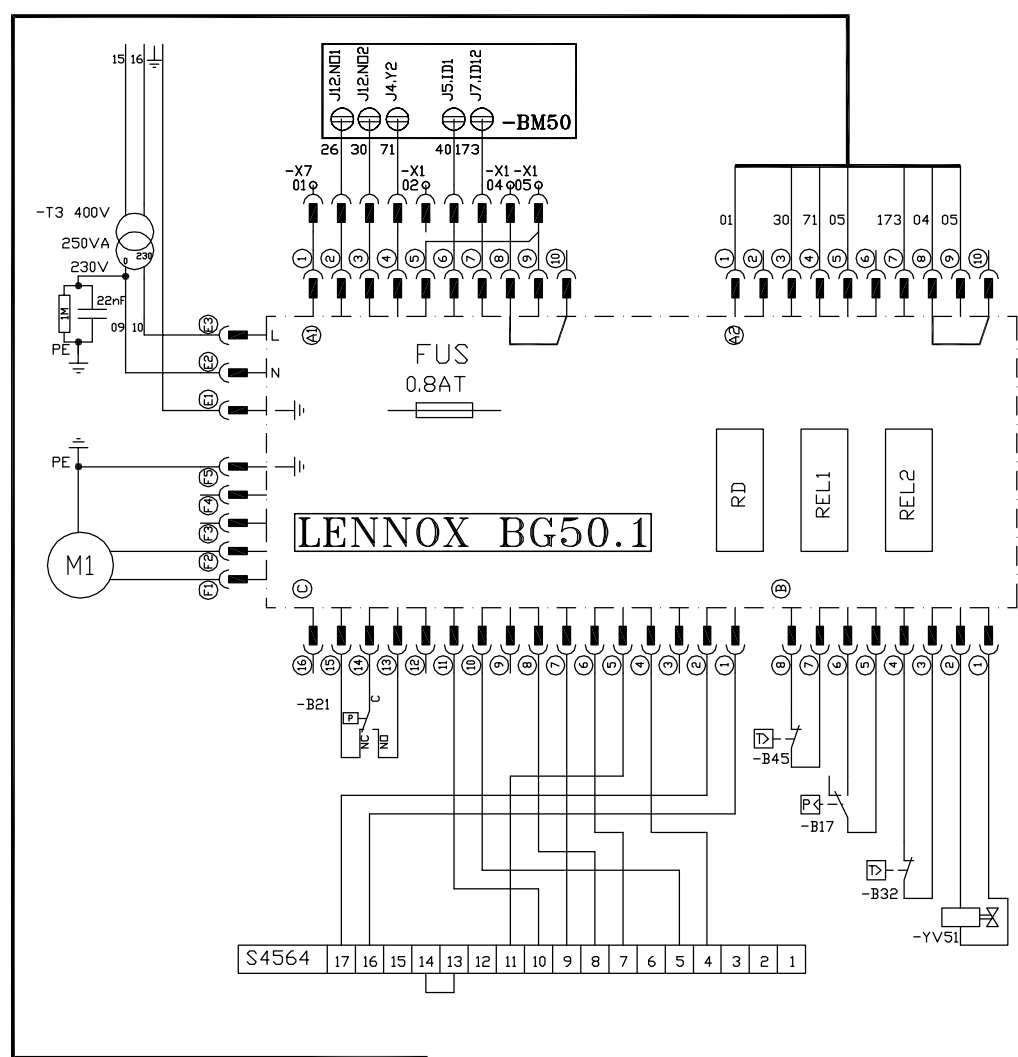
26 KIT TOUTES SAISONS
LOW AMBIENT KIT

Input B5-B6	Input
DN	digital Input
OFF	NTC









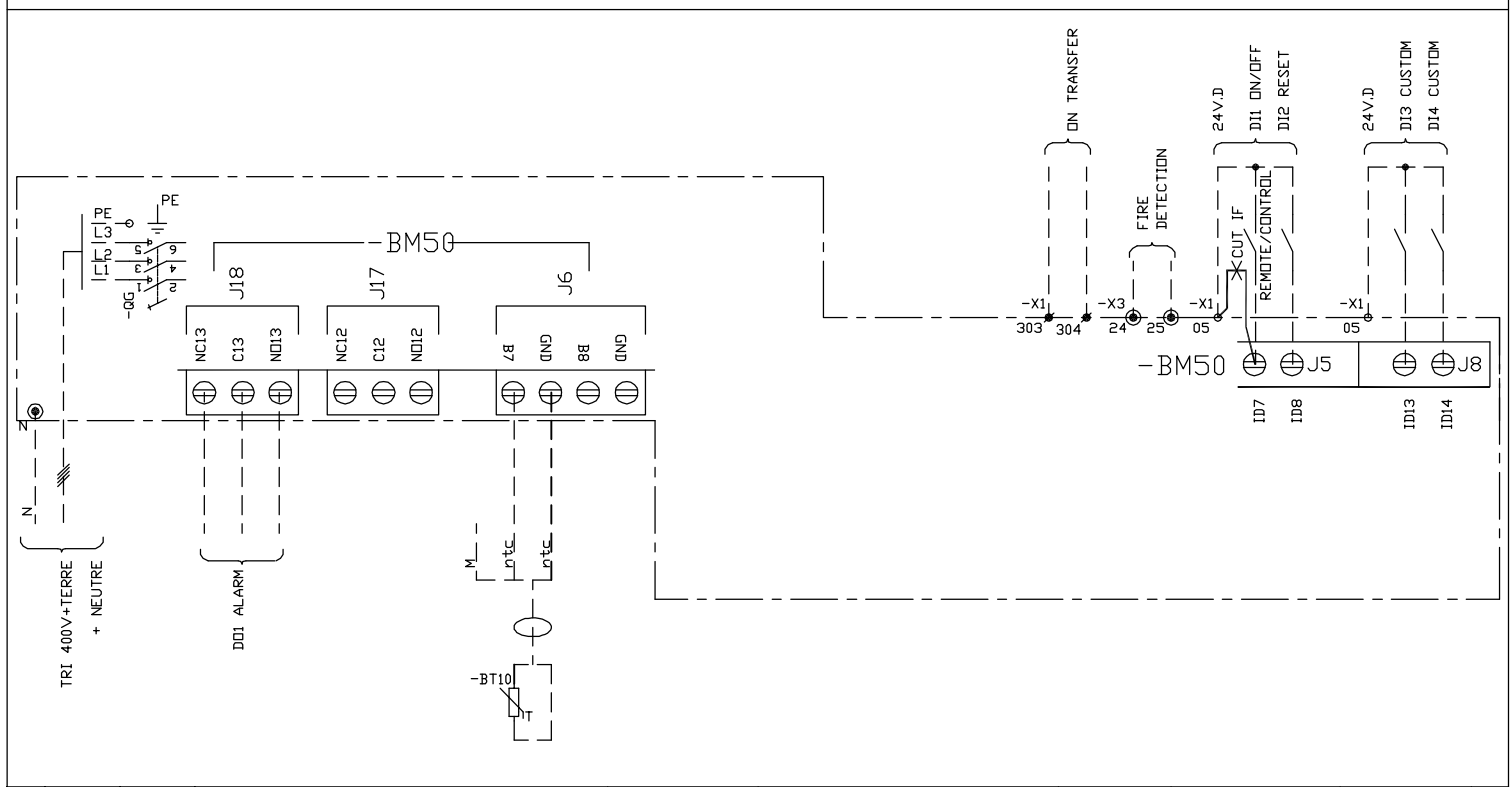
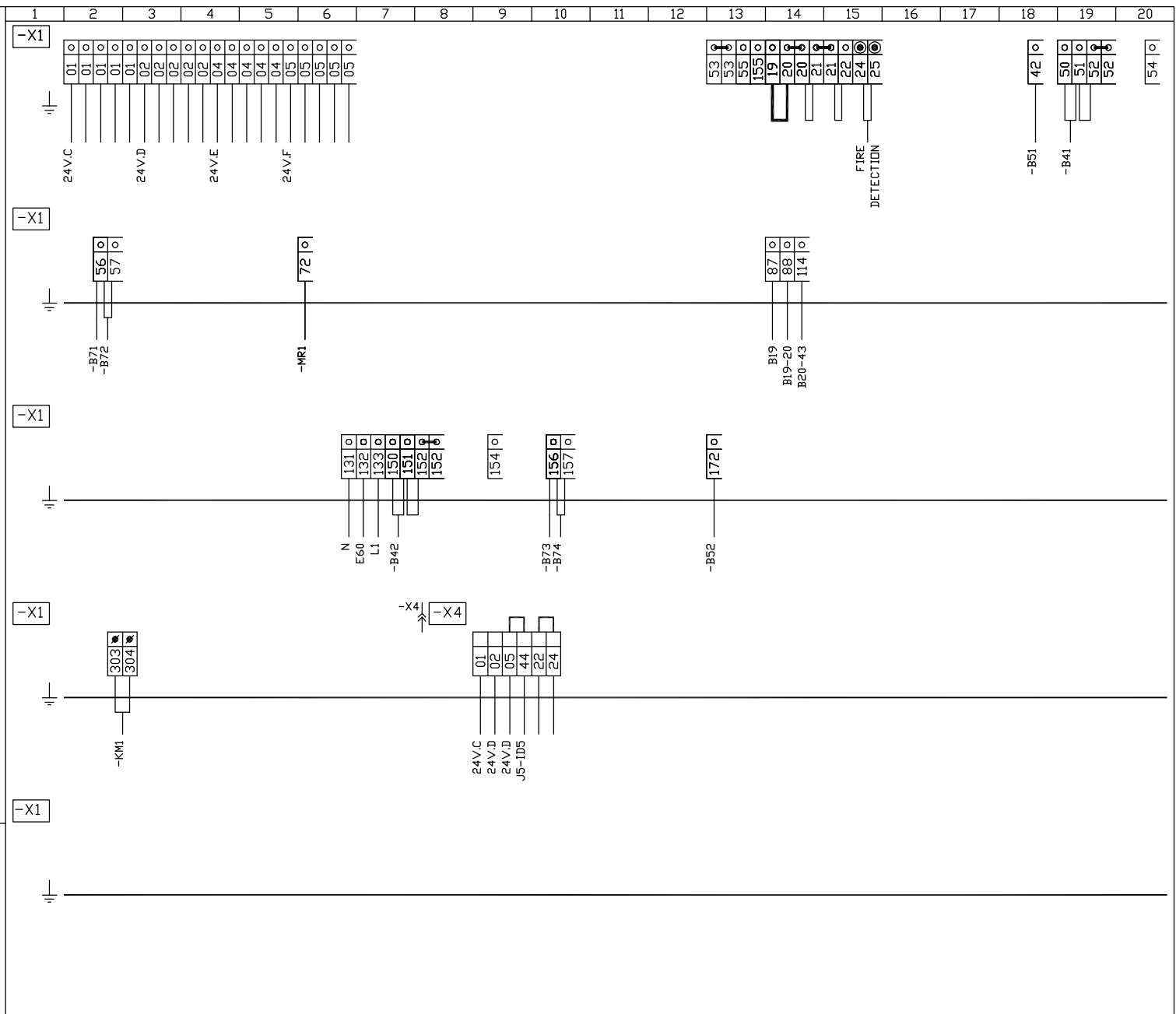
Indice	DATE	NOM	MODIFICATIONS

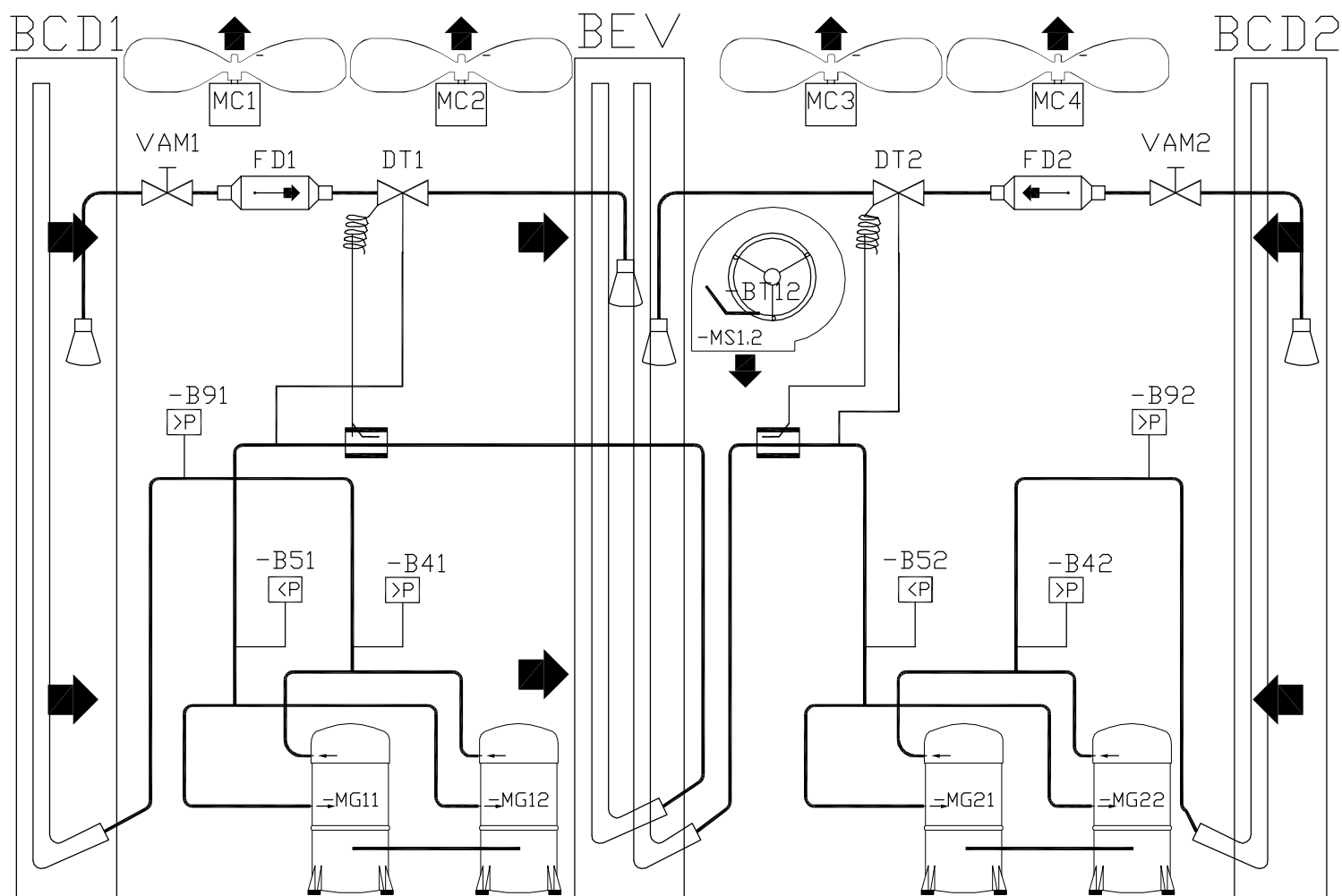
(2) FGM 200 H
 Kit chauffage
 GAS

Dessine: T/Y
 Date: 16.05.07



254006 6/11





Indice	DATE	NOM	MODIFICATIONS

(2) FGM 200 H
 Schéma Frigorifique \ Hydraulique
 Cooling \ Hydraulic Diagram

Dessine: T/Y
 Date: 16.05.07



254006 9/11

