

Indice	DATE	NOM	MODIFICATIONS

(2) FGK 190 H  
Automate CLIMATIC 50  
Climatic 50 Controller

Dessine: CTO  
Date: 18.08.06



250173 2/11

Input BI-B2-B3-B4

Input	1	2	3
0/1V	OFF	OFF	OFF
NTC	DN	OFF	OFF
0/20mA	OFF	DN	OFF
0/5V	OFF	OFF	DN

Input BI-B5-B6

Input	digital input	NTC
DN	OFF	OFF

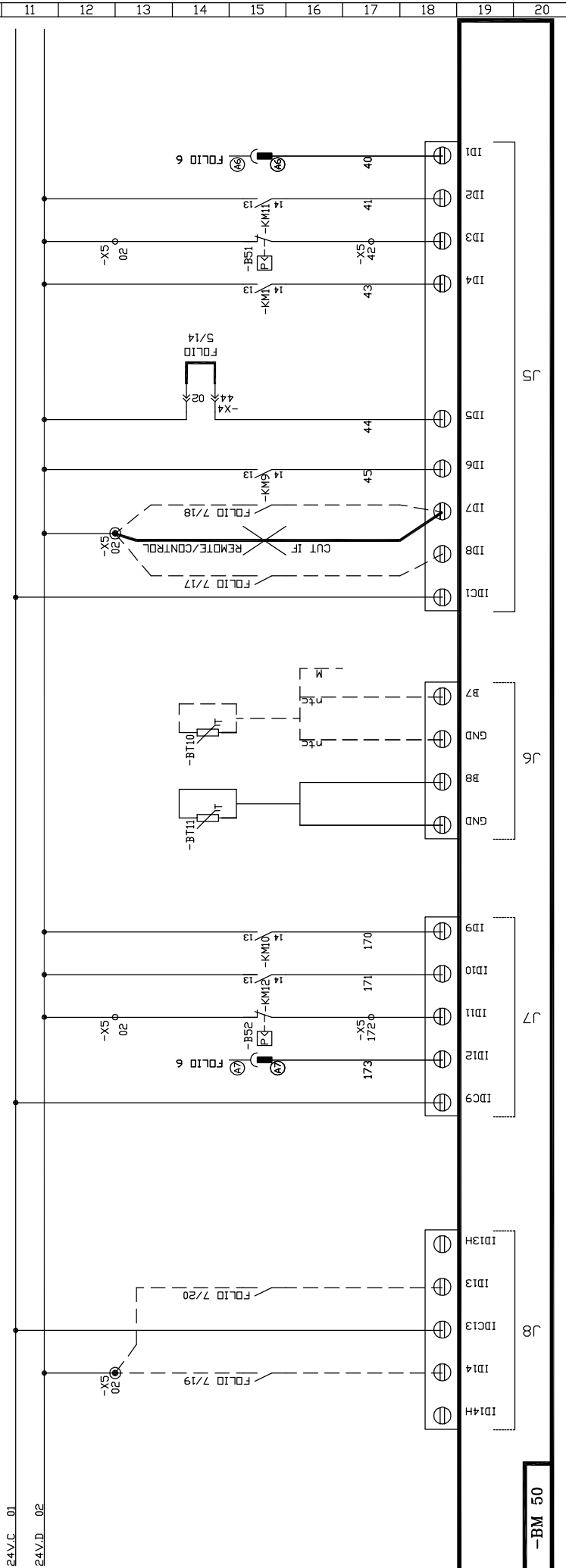
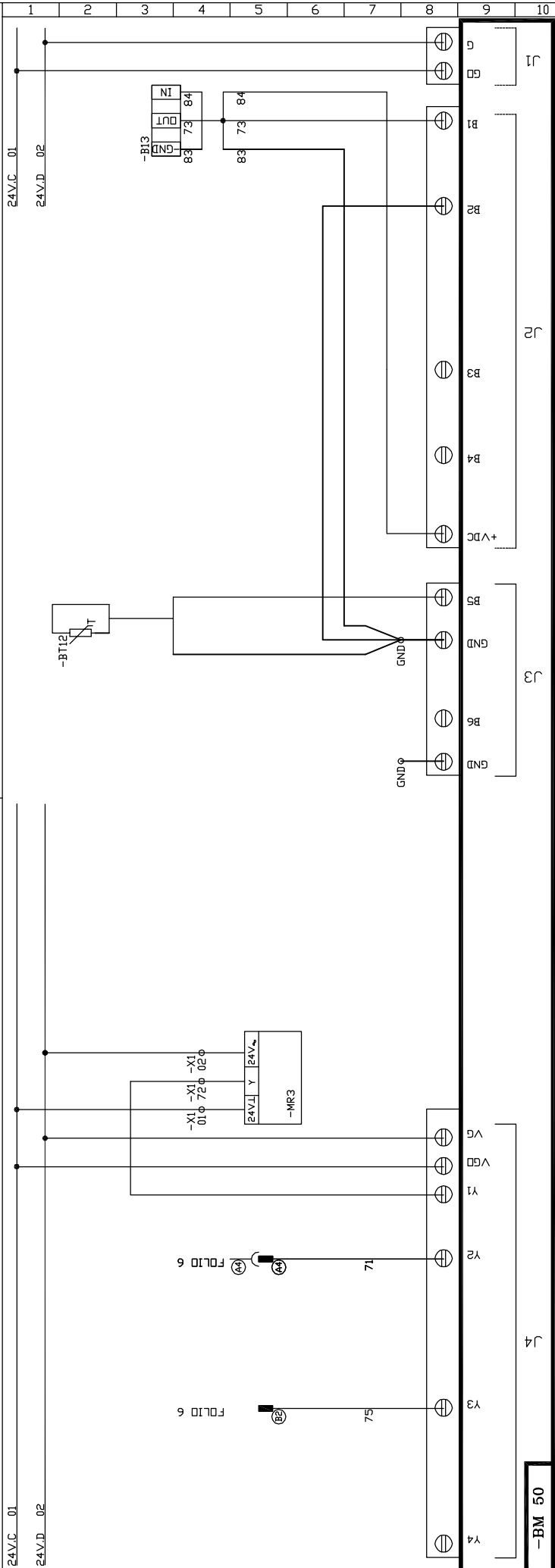
AVEC TCB SANS CARTE EXTENSION  
WITHOUT EXTENSIONBOARD BE50

Input BI-B2-B3-B4

Input	1	2	3
0/1V	OFF	OFF	OFF
NTC	DN	OFF	OFF
0/20mA	OFF	DN	OFF
0/5V	OFF	OFF	DN

Input BI-B5-B6

Input	digital input	NTC
DN	OFF	OFF

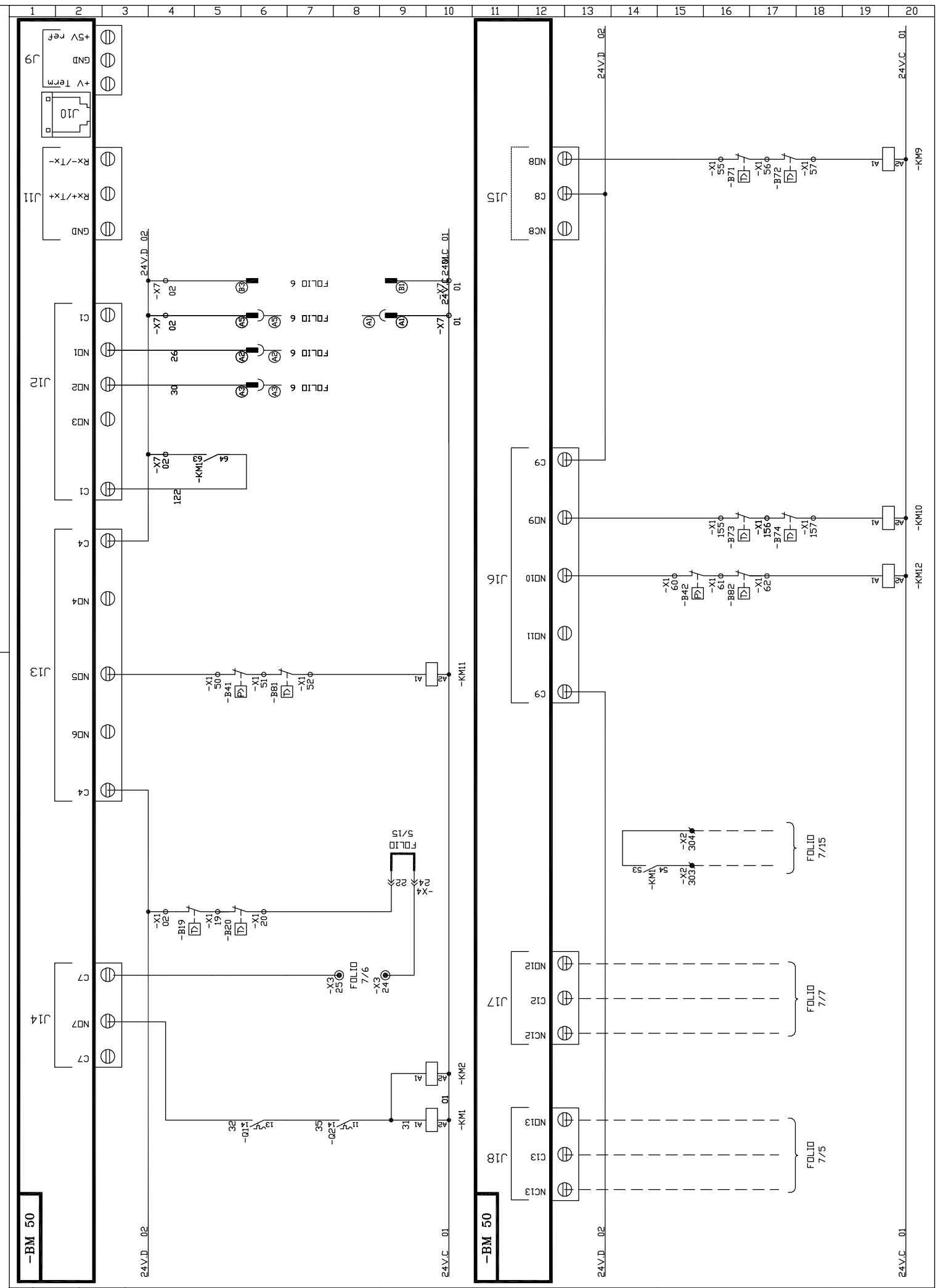


Indice	DATE	NOM	MODIFICATIONS

(2) FGK 190 H  
Entrées Automate CLIMATIC 50  
Climatic 50 Controller Input

Dessine: CTO  
Date: 18.08.06

250173	3/11
USINE DE LONGVIC	



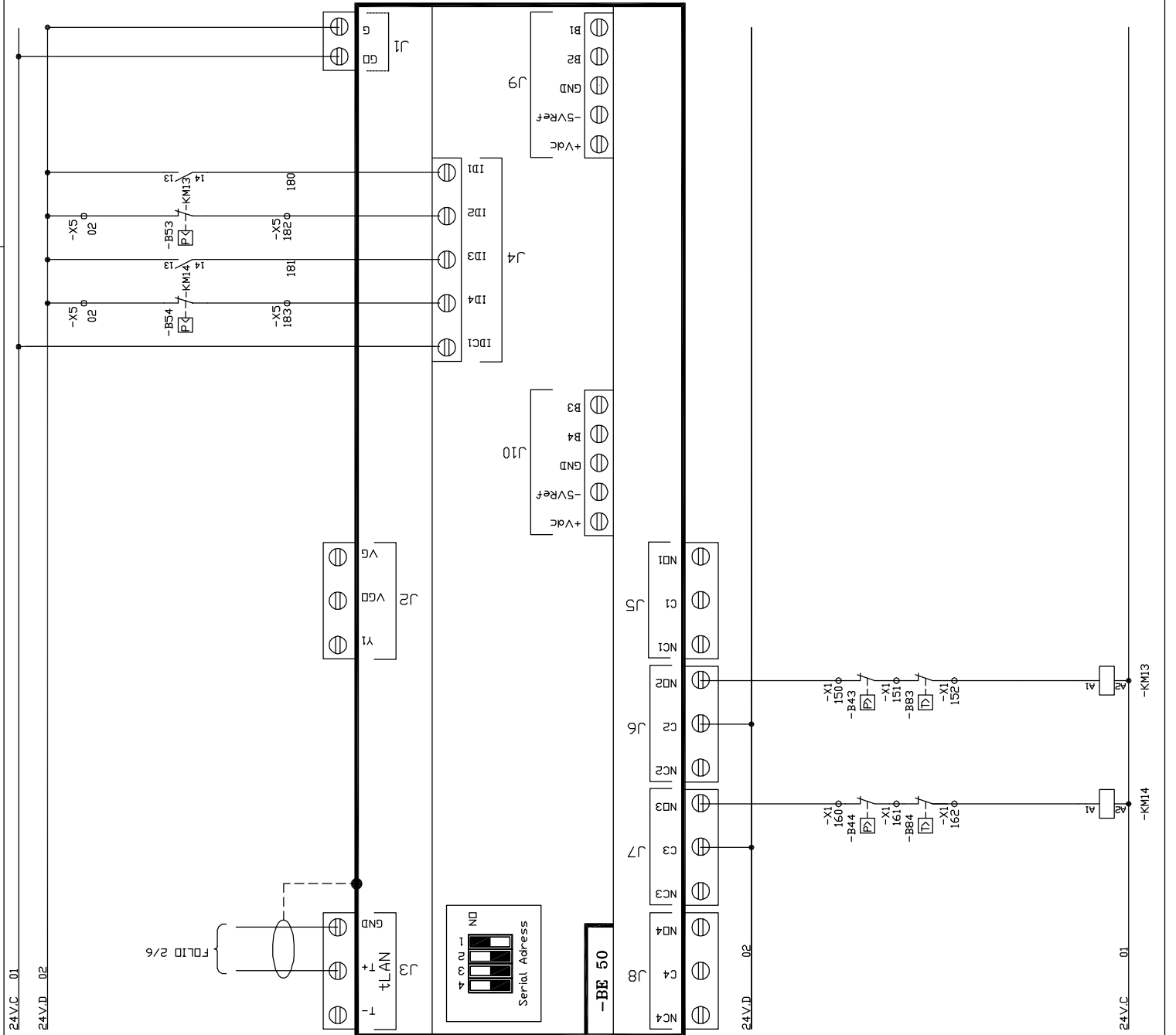
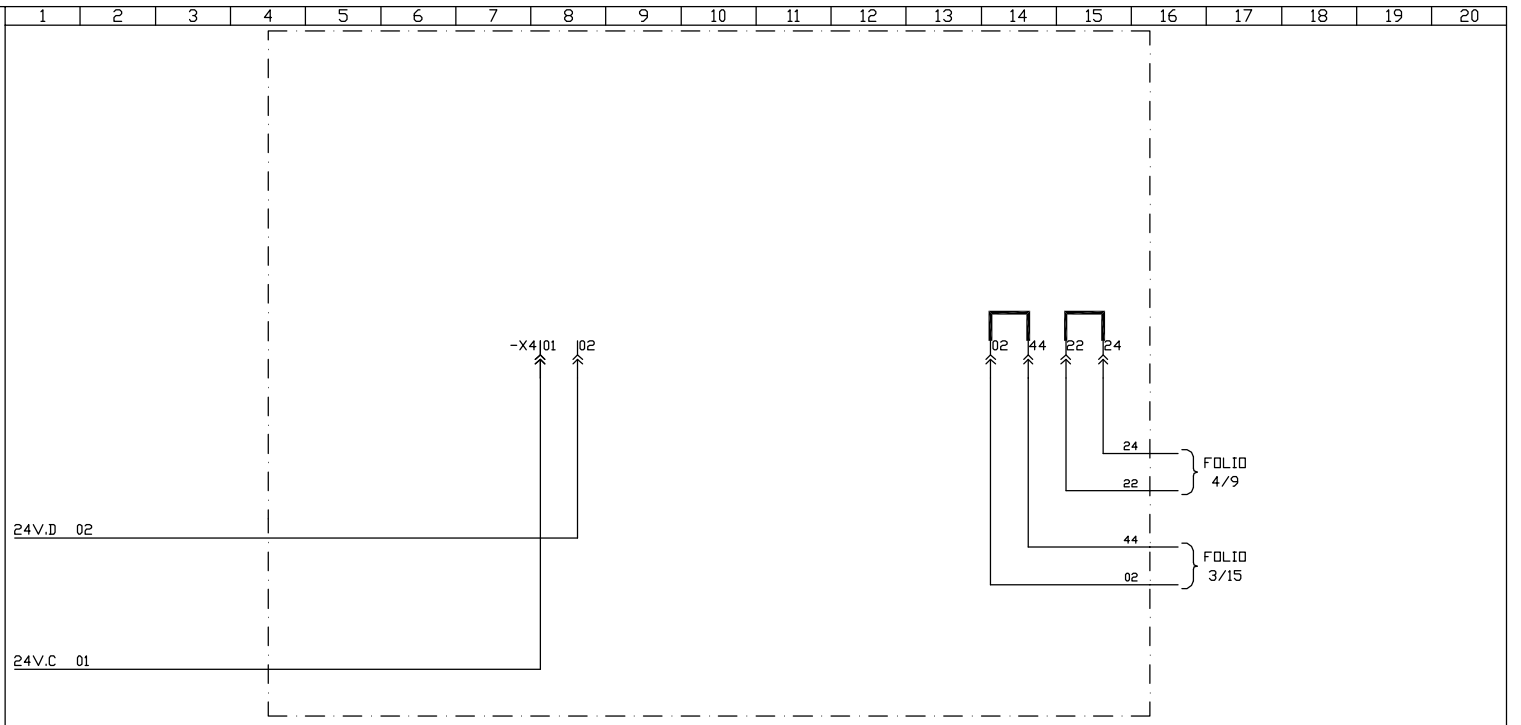
Indice	DATE	NOM	MODIFICATIONS

(2) FGK 190 H  
Sorties Automate CLIMATIC 50  
CLIMATIC 50 Controller Outputs

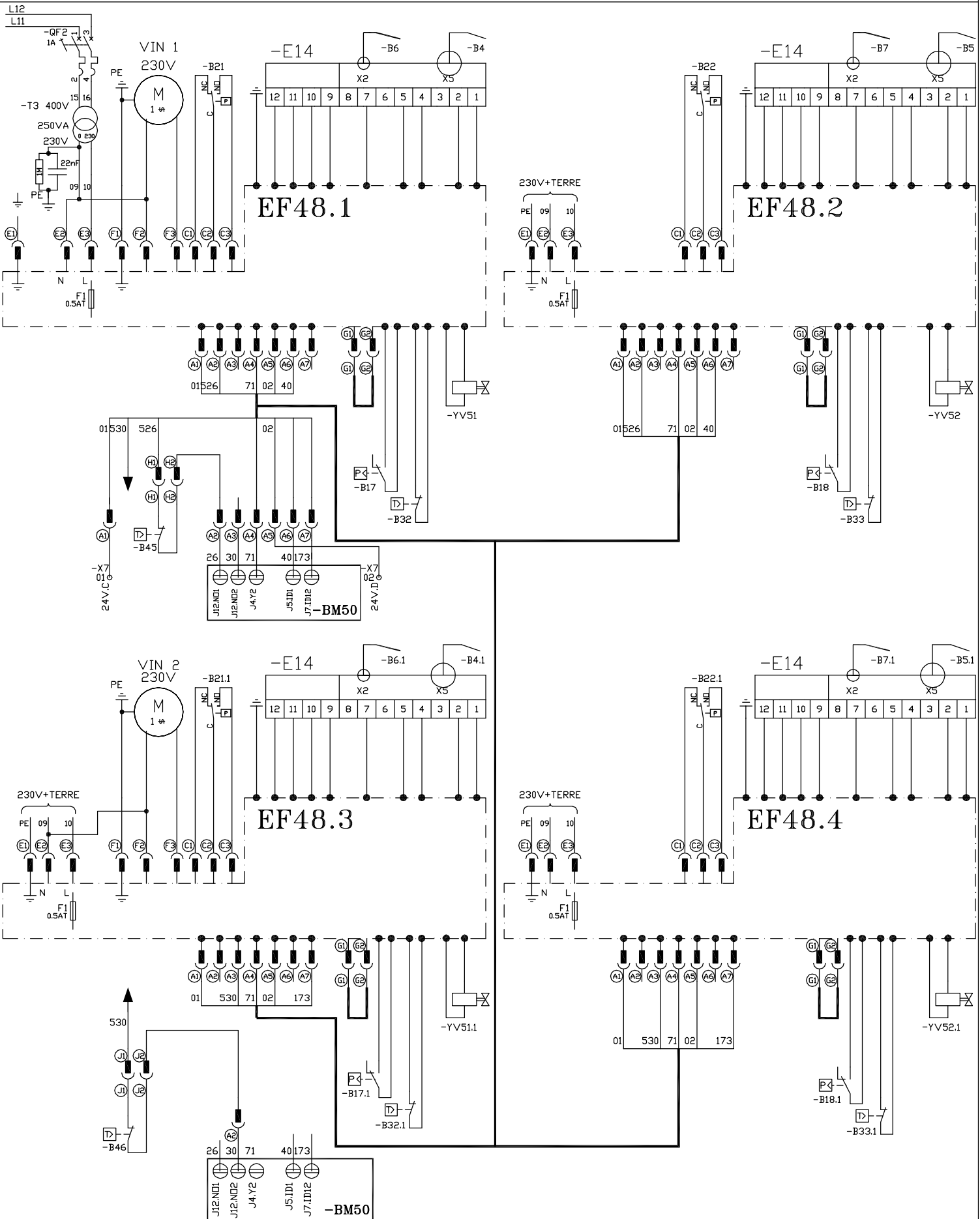
Dessine: CTO  
Date: 18.08.06

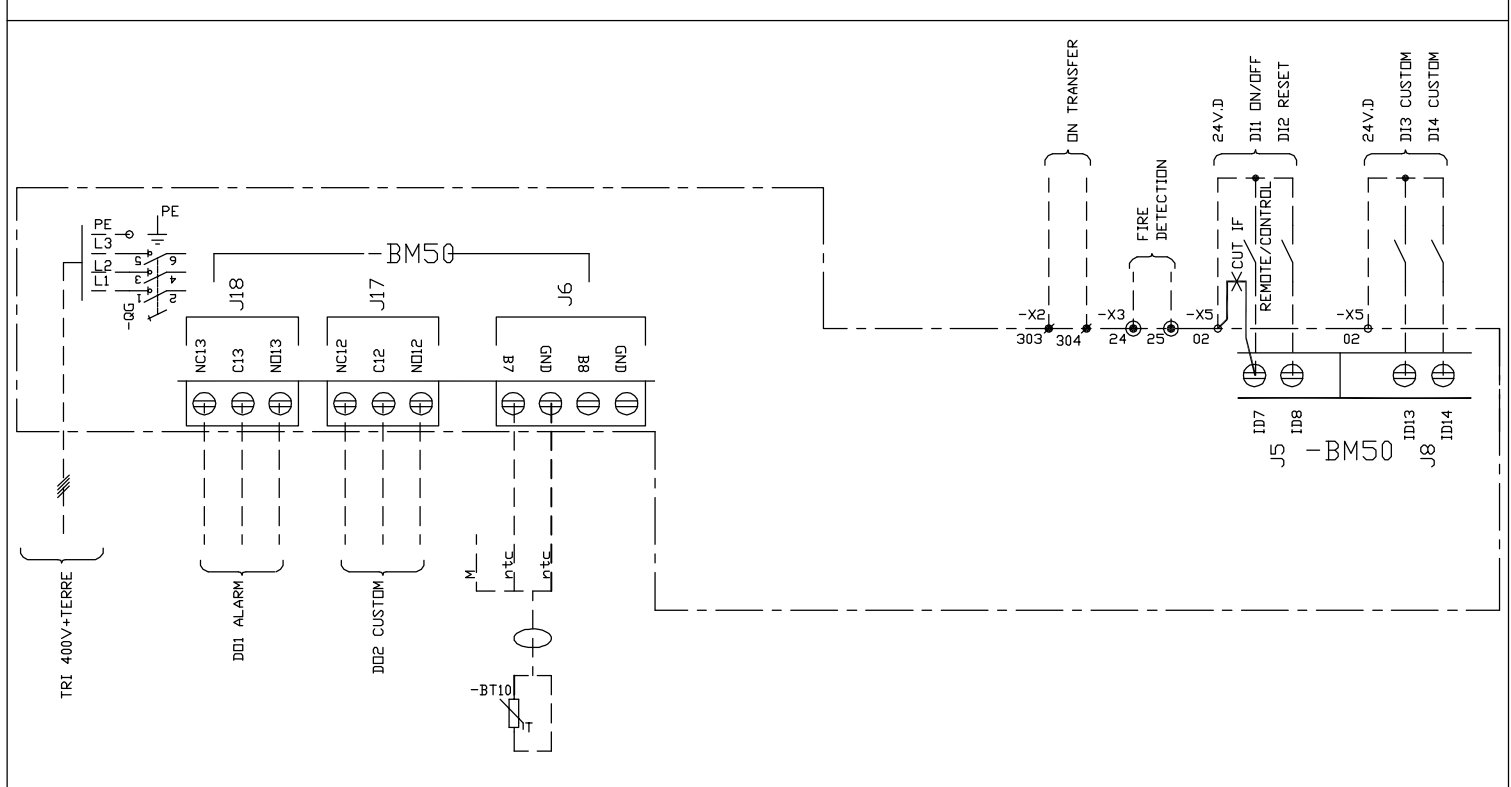
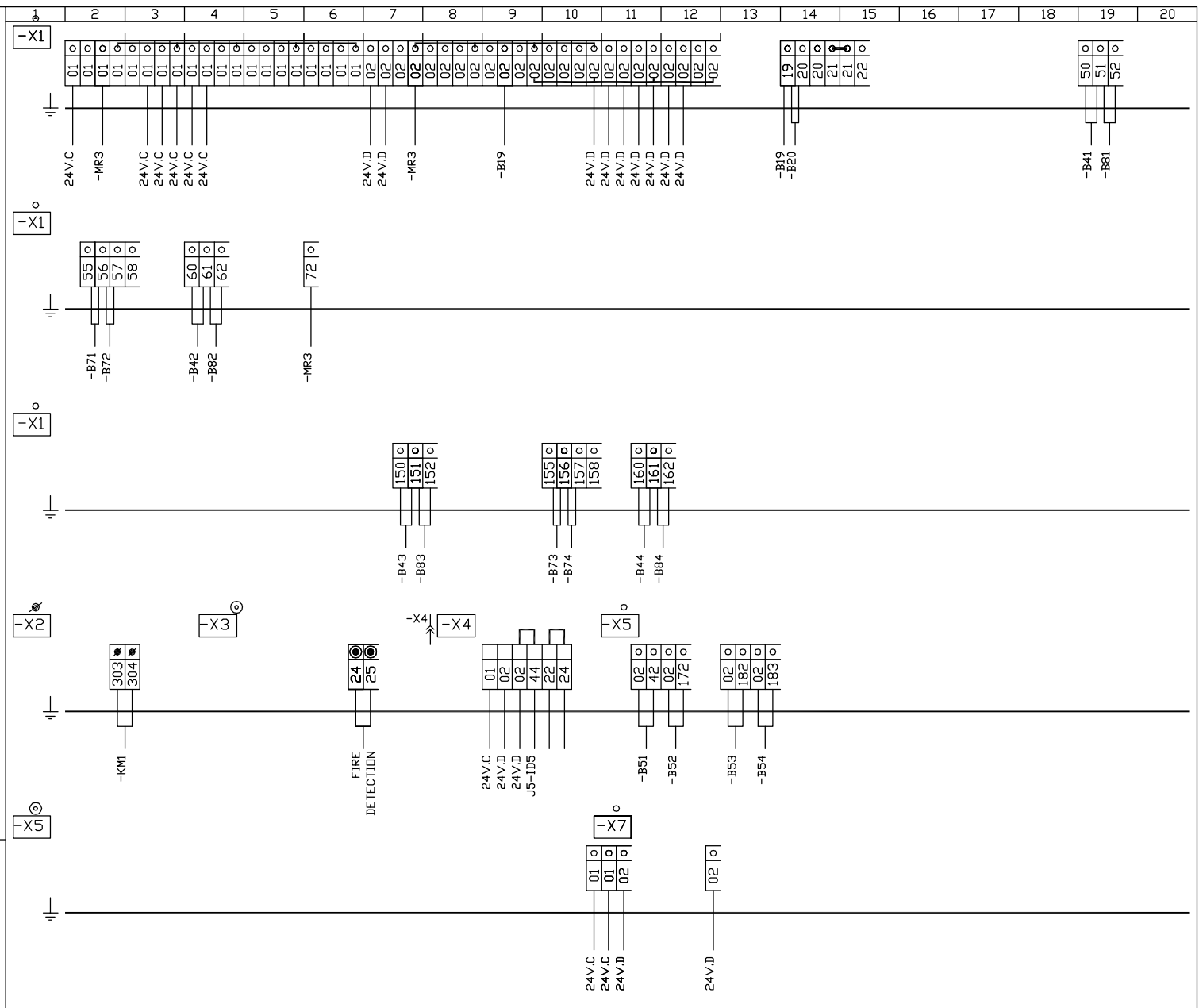


250173 4/11



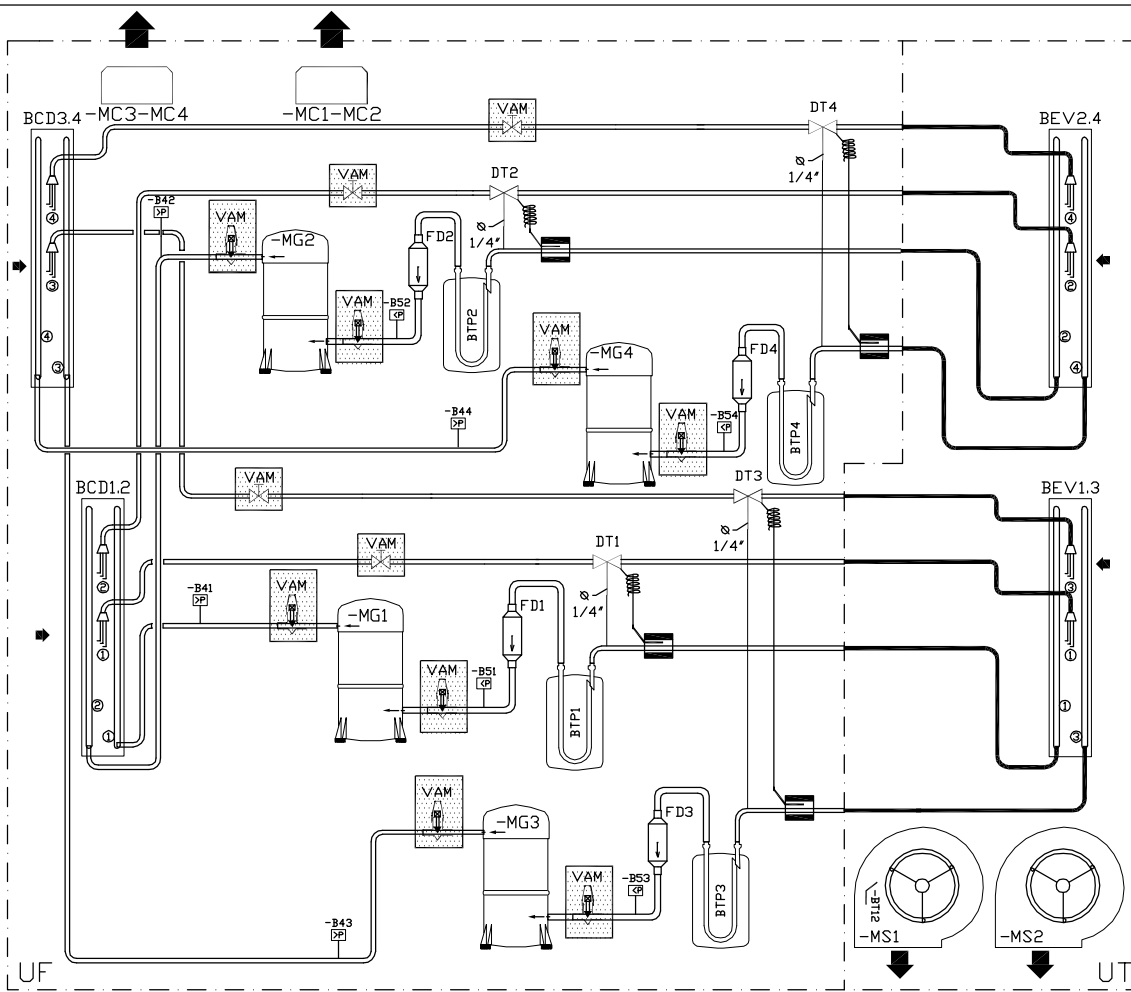
REPERE	REFERENCE	CODE	Nb
-GF2	C60N 2A BIPOL COURBE D	4480474E	1
-T3	250VA 400V/230V	4430126T	1
-RC	CIRCUIT RC 1MEG0HM - 22nF	4770012Z	1
-EF48.1,2	-EF48	4770624Z	4







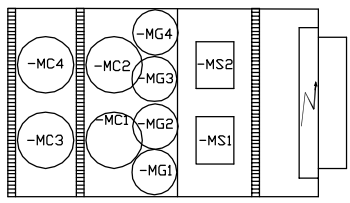
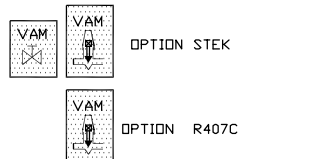




DIAMETRE TUYAUTERIES

REFOULEMENT	7/8"
ASPIRATION	1"3/8"
LIGNE LIQUIDE	7/8"

— TUYAUTERIE CALDRIFUGEE  
 — TUYAUTERIE NON CALDRIFUGEE



Indice	DATE	NOM	MODIFICATIONS

(2) FGK 190 H  
 Schéma Frigorifique \ Hydraulique  
 Cooling \ Hydraulic Diagram

Dessine: CTO  
 Date: 18.08.06

**LENNOX**  
 USINE DE LONGVIC

250173 9/11



