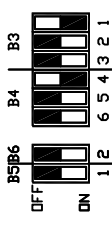
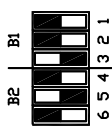
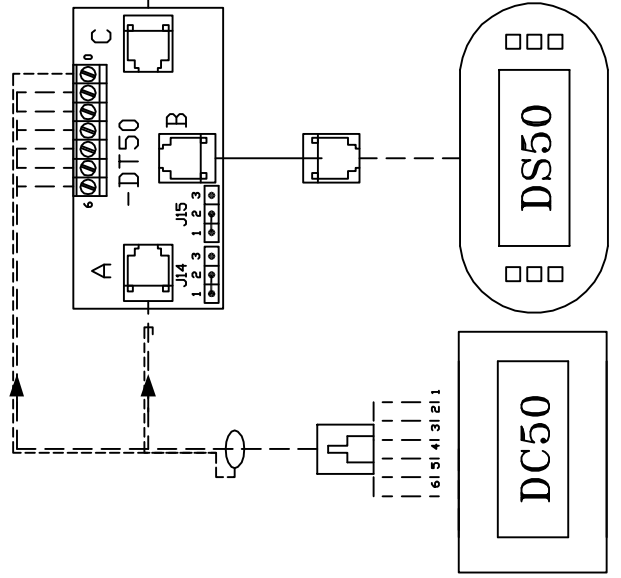
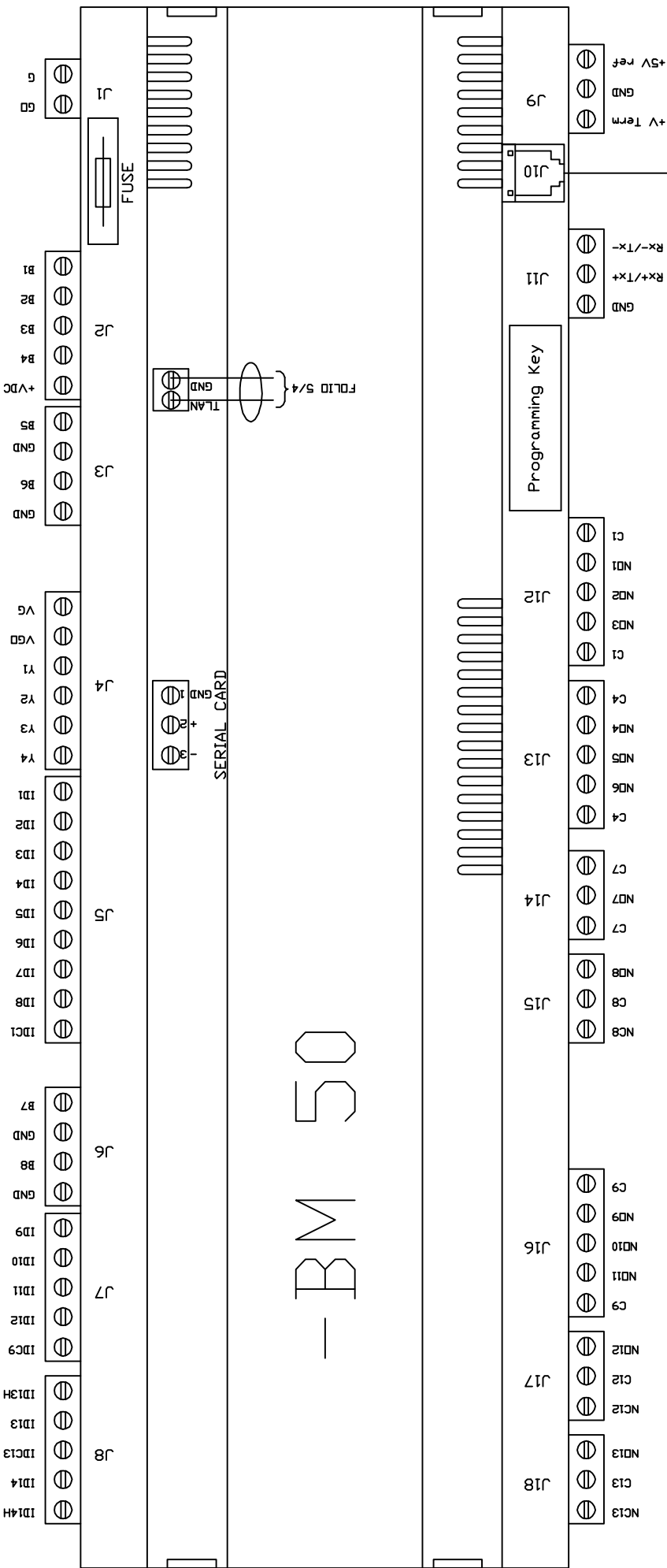


- BM 50



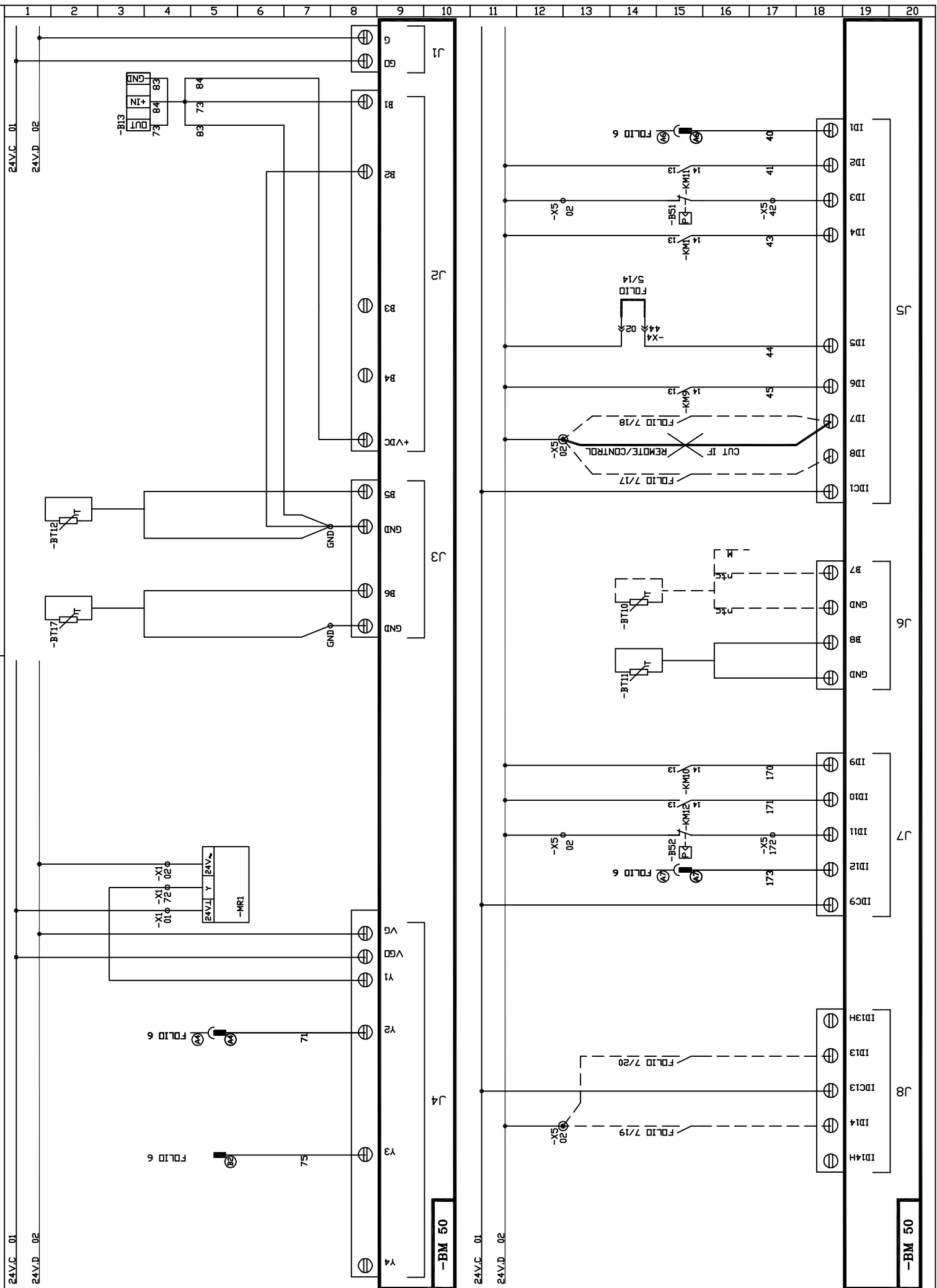
Input	1	2	3
0/1V	OFF	OFF	OFF
NTC	DN	DN	DN
0/20mA	OFF	DN	DN
0/5V	OFF	OFF	DN

Input	digital input	NTC
DN	OFF	OFF

Input	1	2	3
0/1V	OFF	OFF	OFF
NTC	DN	DN	DN
0/20mA	OFF	DN	DN
0/5V	OFF	OFF	DN

Input	digital input	NTC
DN	OFF	OFF

AVEC TCB SANS CARTE EXTENSION
WITHOUT EXTENSIONBOARD BE50



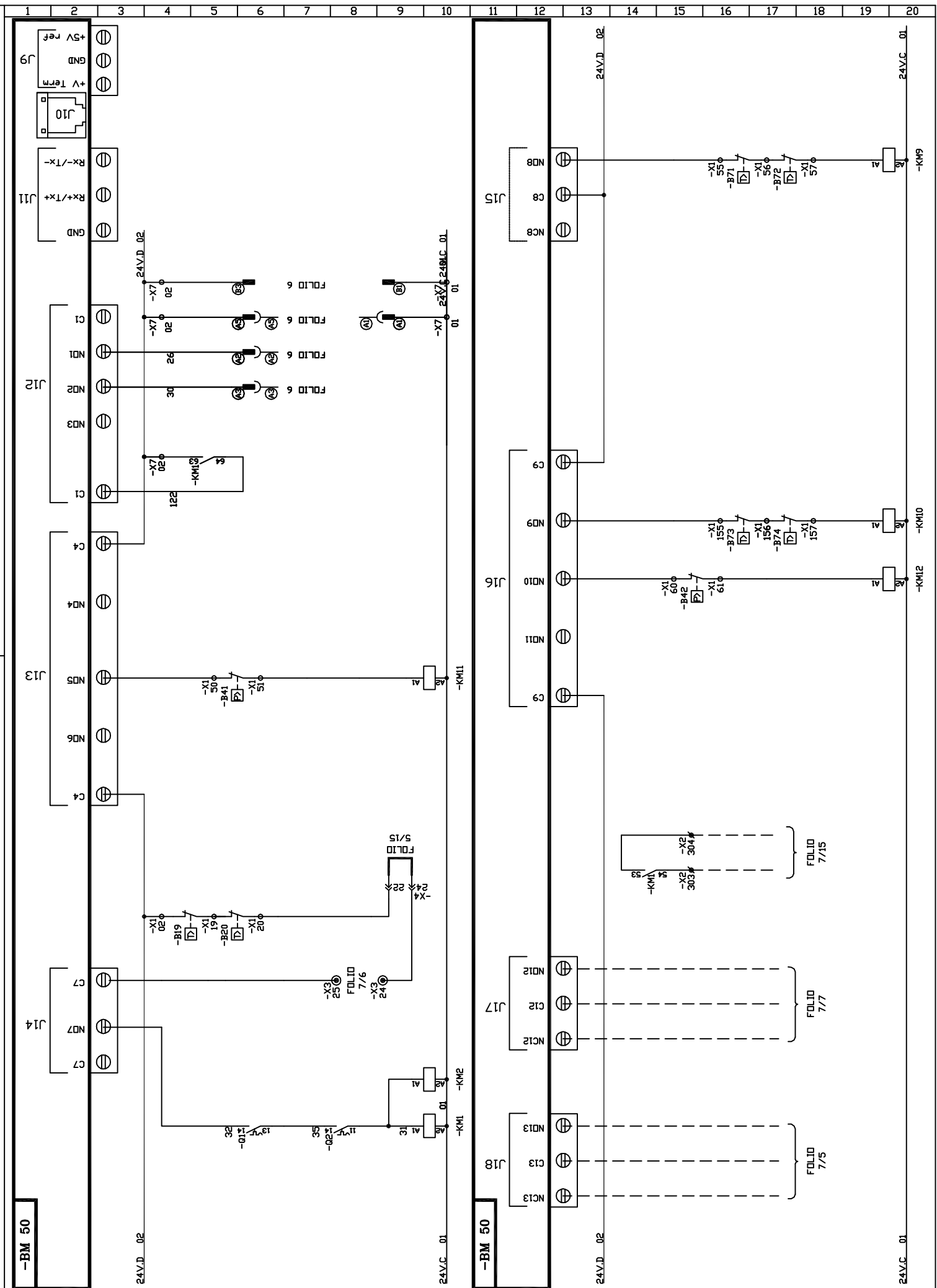
Indice	DATE	NOM	MODIFICATIONS

(2) FGK 160 H
Entrées Automate CLIMATIC 50
Climatic 50 Controller Input

Dessine: CTO
Date: 14.09.05



244455 3/11



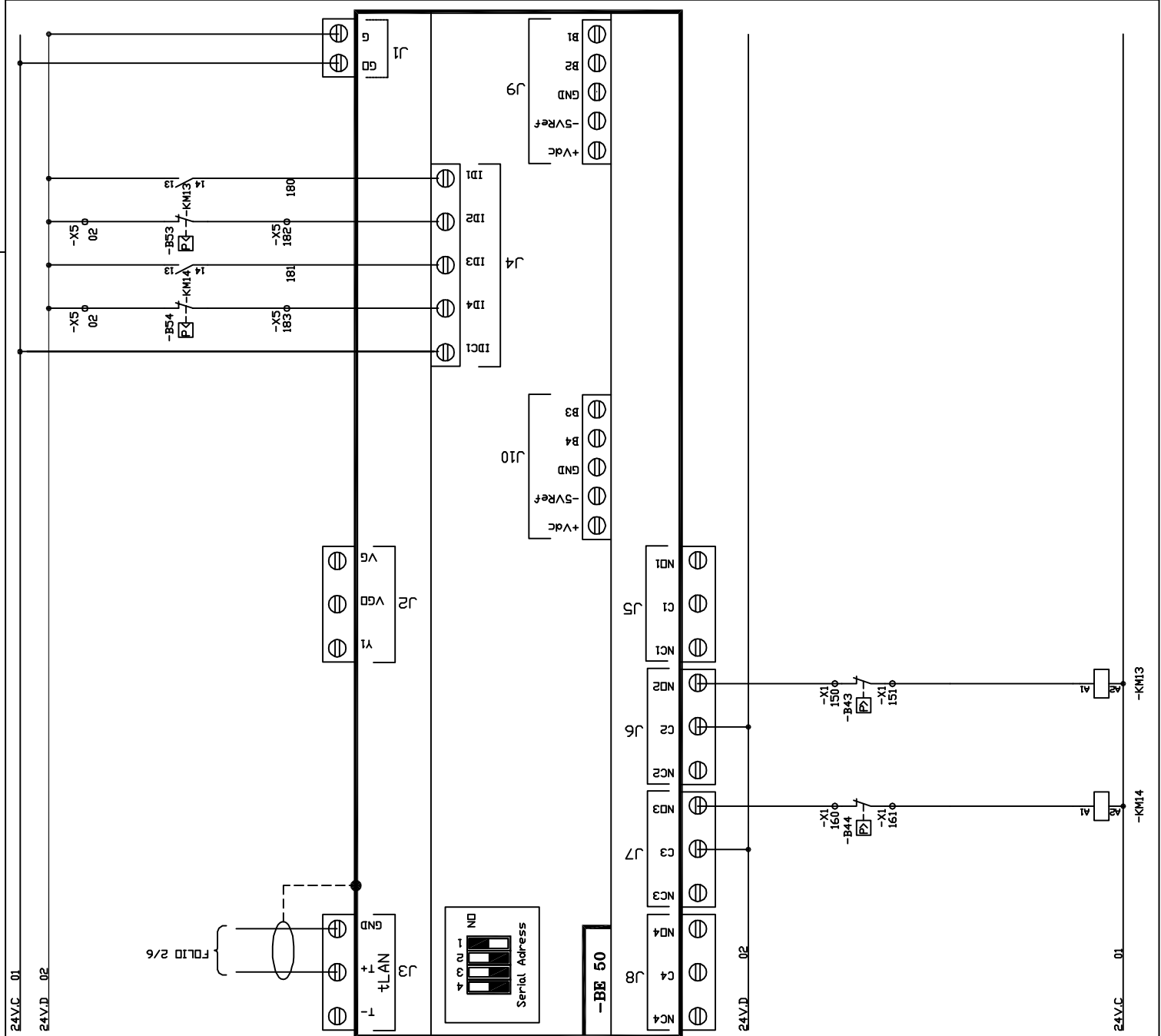
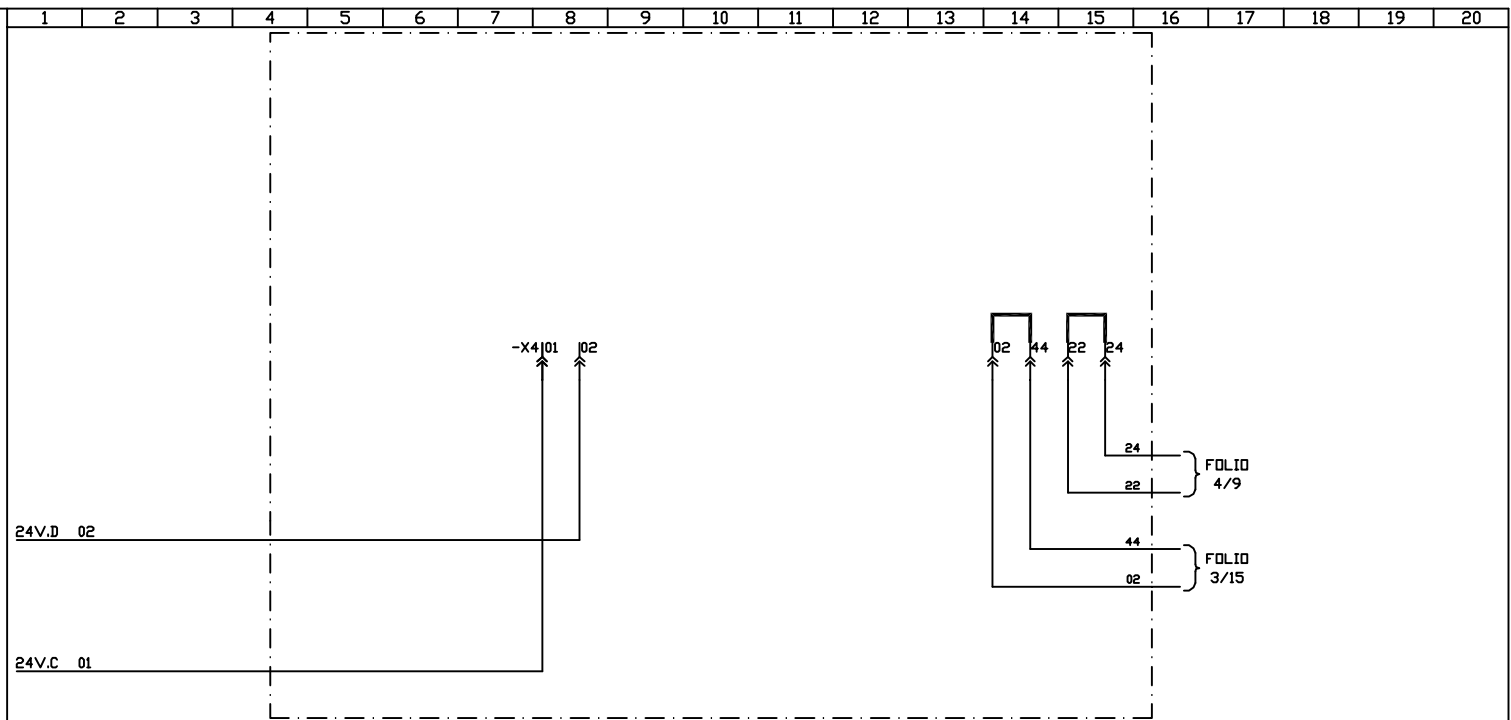
Indice	DATE	NOM	MODIFICATIONS

(2) FGK 160 H
Sorties Automate CLIMATIC 50
Climatic 50 Controller Outputs

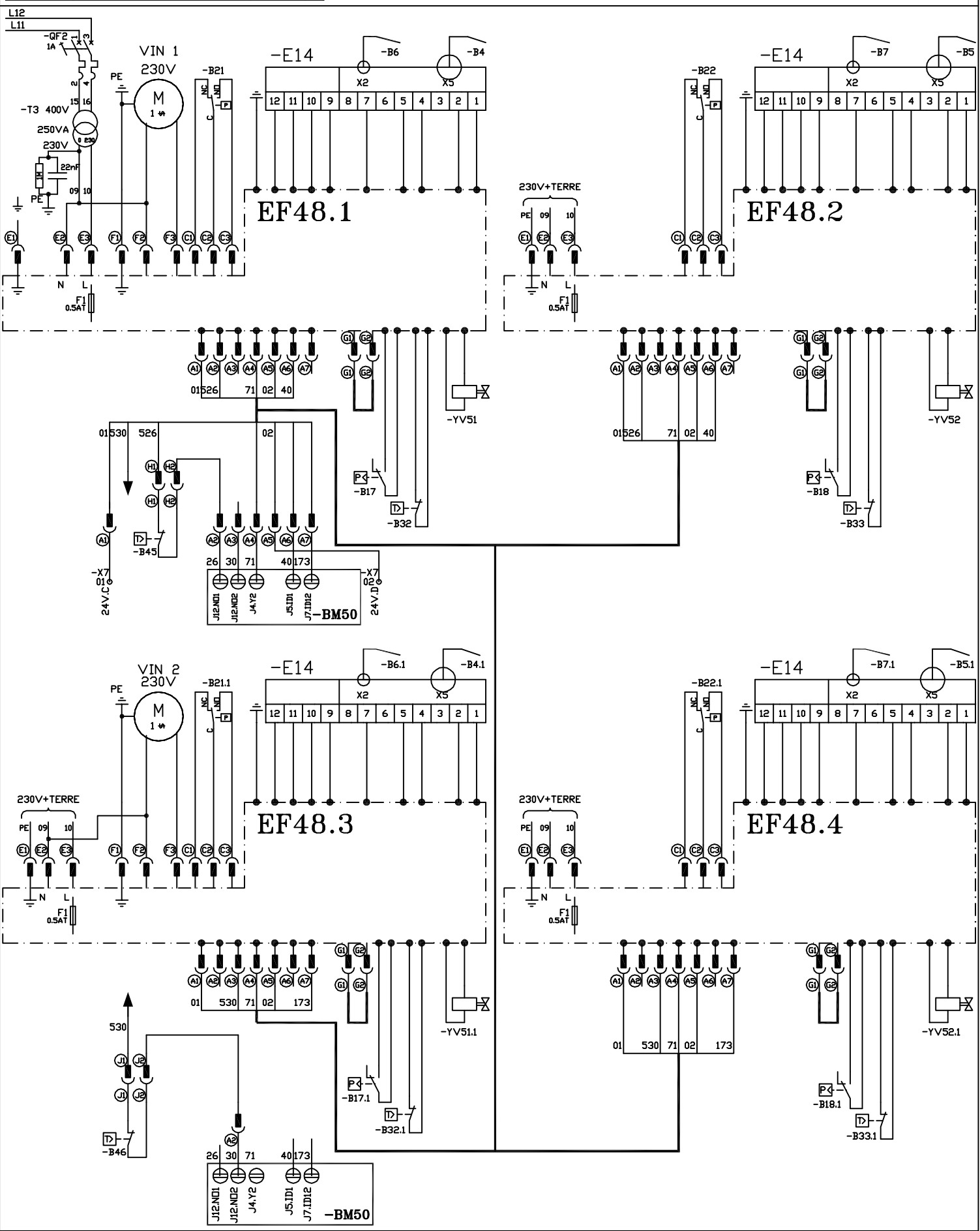
Dessine: CTO
Date: 14.09.05

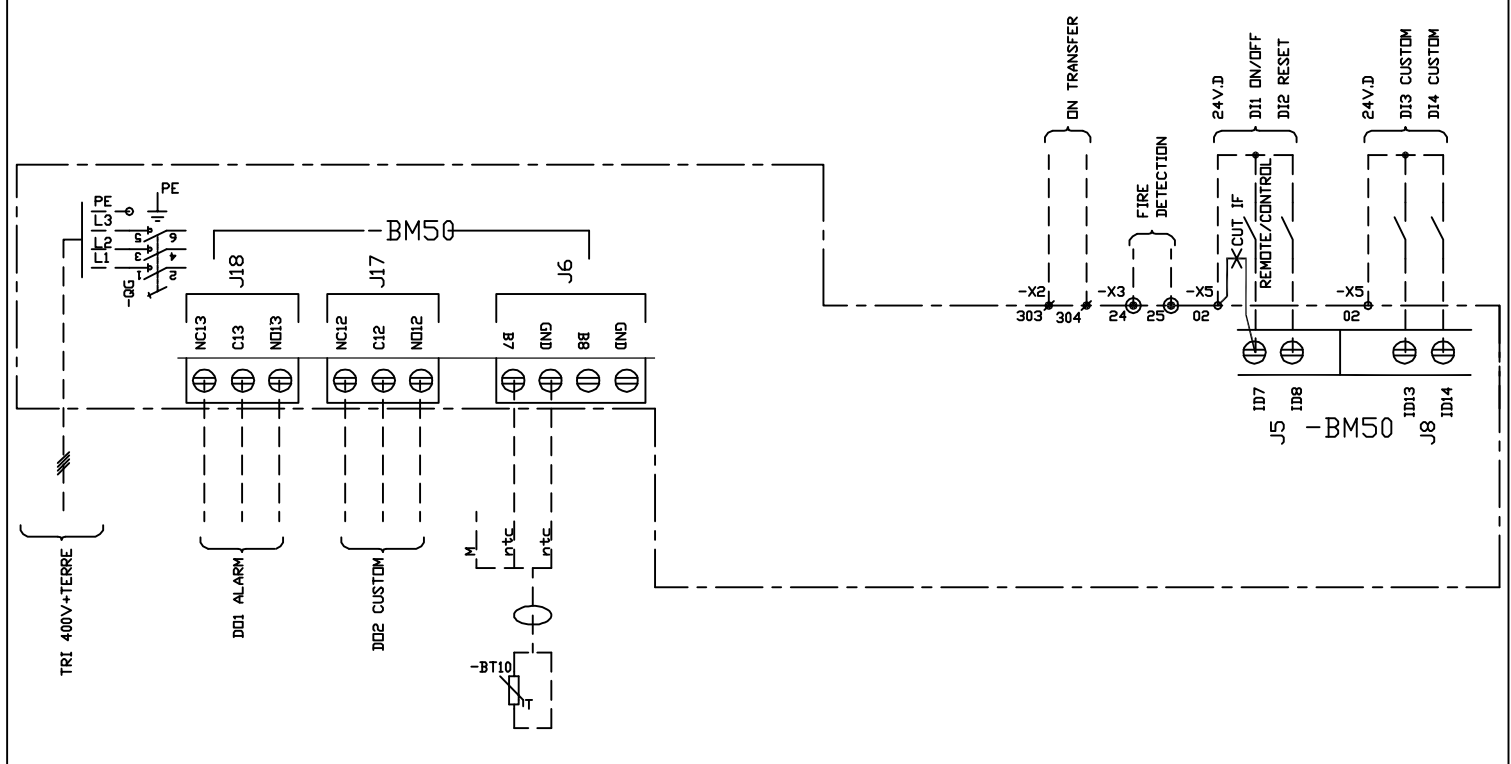
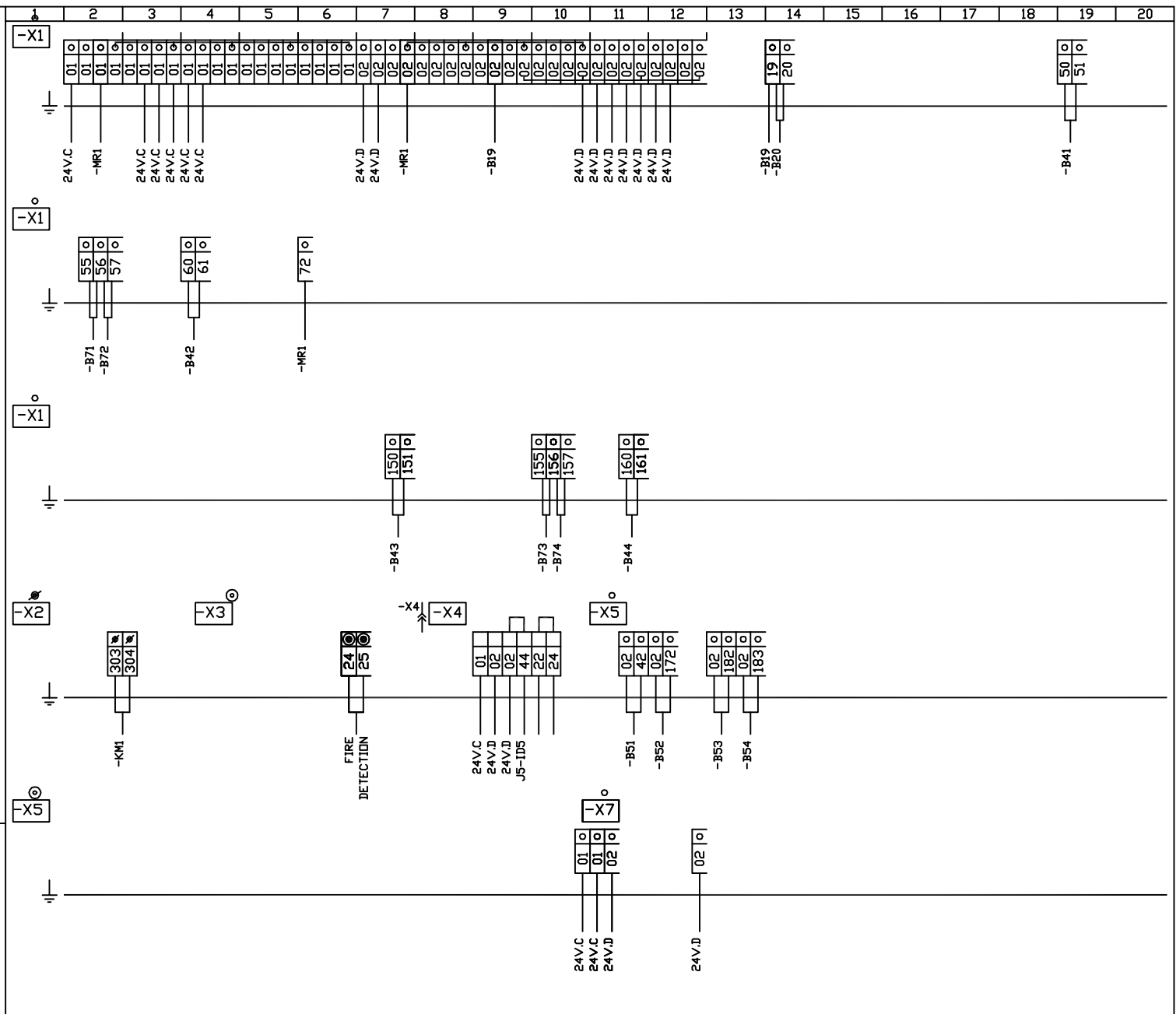


244455 4/11



REPERE	REFERENCE	CODE	Nb
-GF2	C60N 2A BIPOL COURBE D	4480474E	1
-T3	250VA 400V/230V	4430126T	1
-RC	CIRCUIT RC 1MEG0HM - 22nF	4770012Z	1
-EF48.1,2	-EF48	4770624Z	4





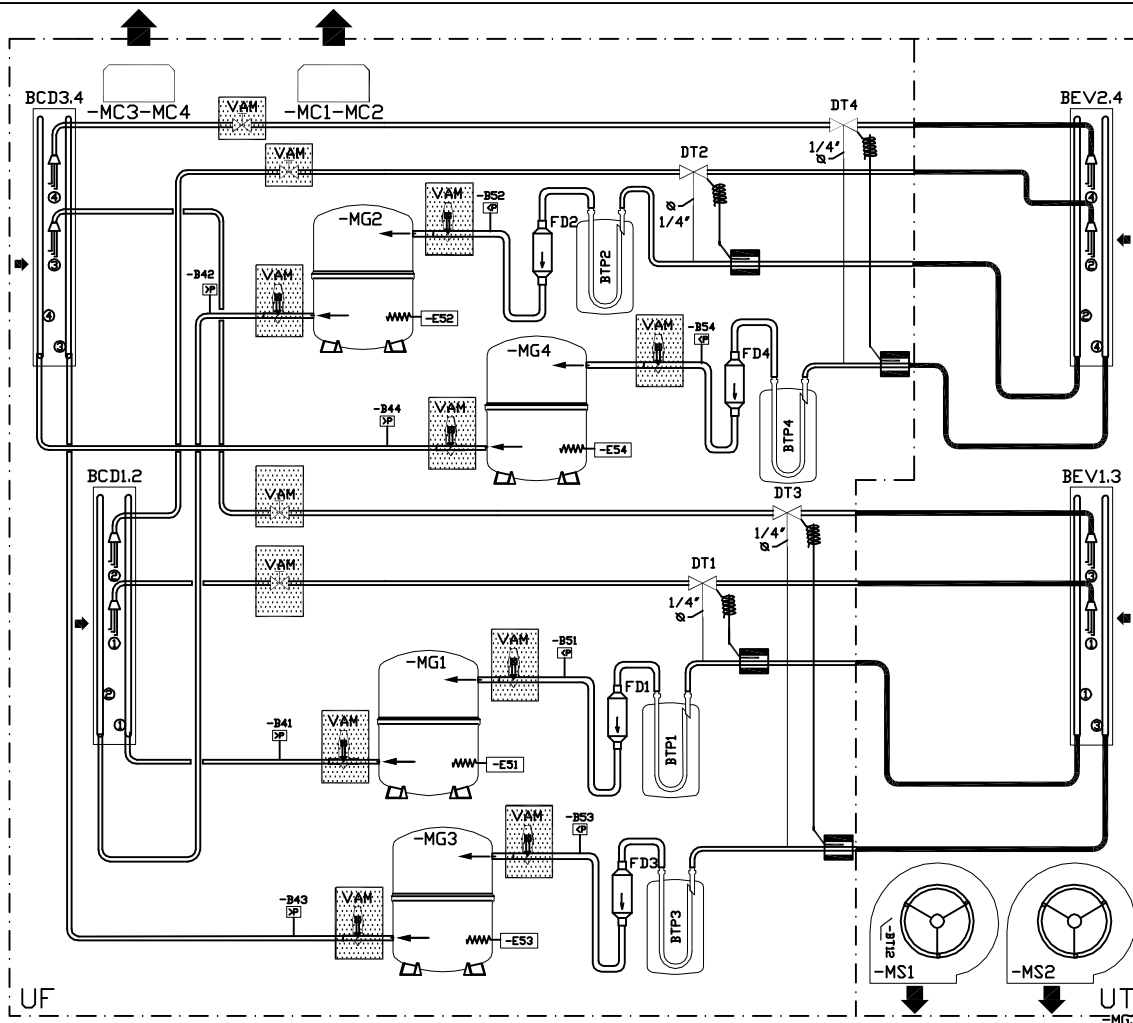
Indice	DATE	NOM	MODIFICATIONS

(2) FGK 160 H
 Borniers \ Raccordement Client
 Terminal Strip \ Customer

Dessine: CTO
 Date: 14.09.05



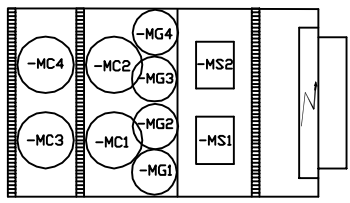
244455 7/11



DIAMETRE TUYAUTERIES	
REFOULEMENT	7/8"
ASPIRATION	1"1/8"
LIGNE LIQUIDE	5/8"

TUYAUTERIE CALDRIFUGEE
 TUYAUTERIE NON CALDRIFUGEE

OPTION STEK
 OPTION R407C



Indice	DATE	NOM	MODIFICATIONS

(2) FGK 160 H
 Schéma Frigorifique \ Hydraulique
 Cooling \ Hydraulic Diagram

Dessine: CTO
 Date: 14.09.05

LENNOX
 USINE DE LONGVIC

244455 9/11

