
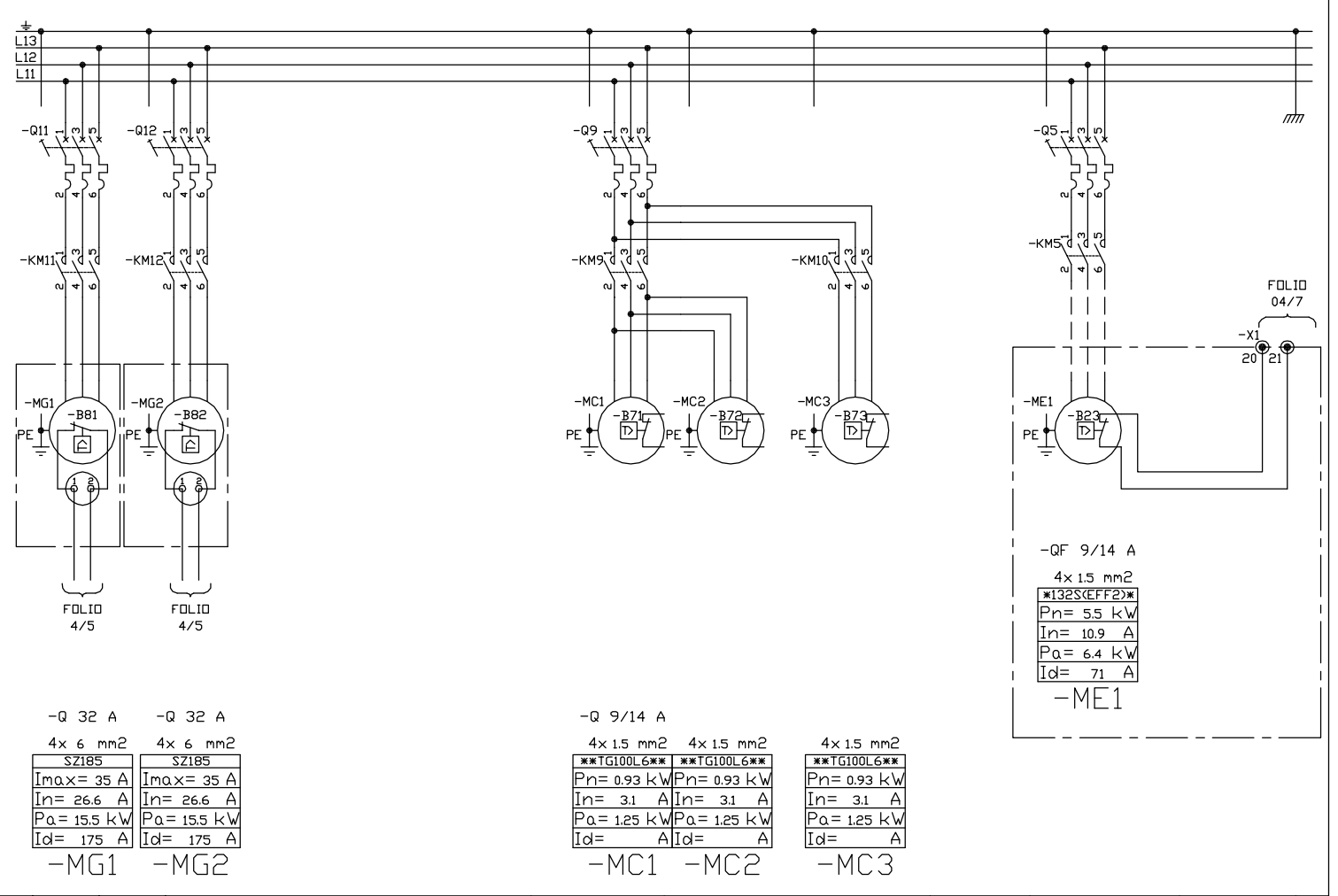
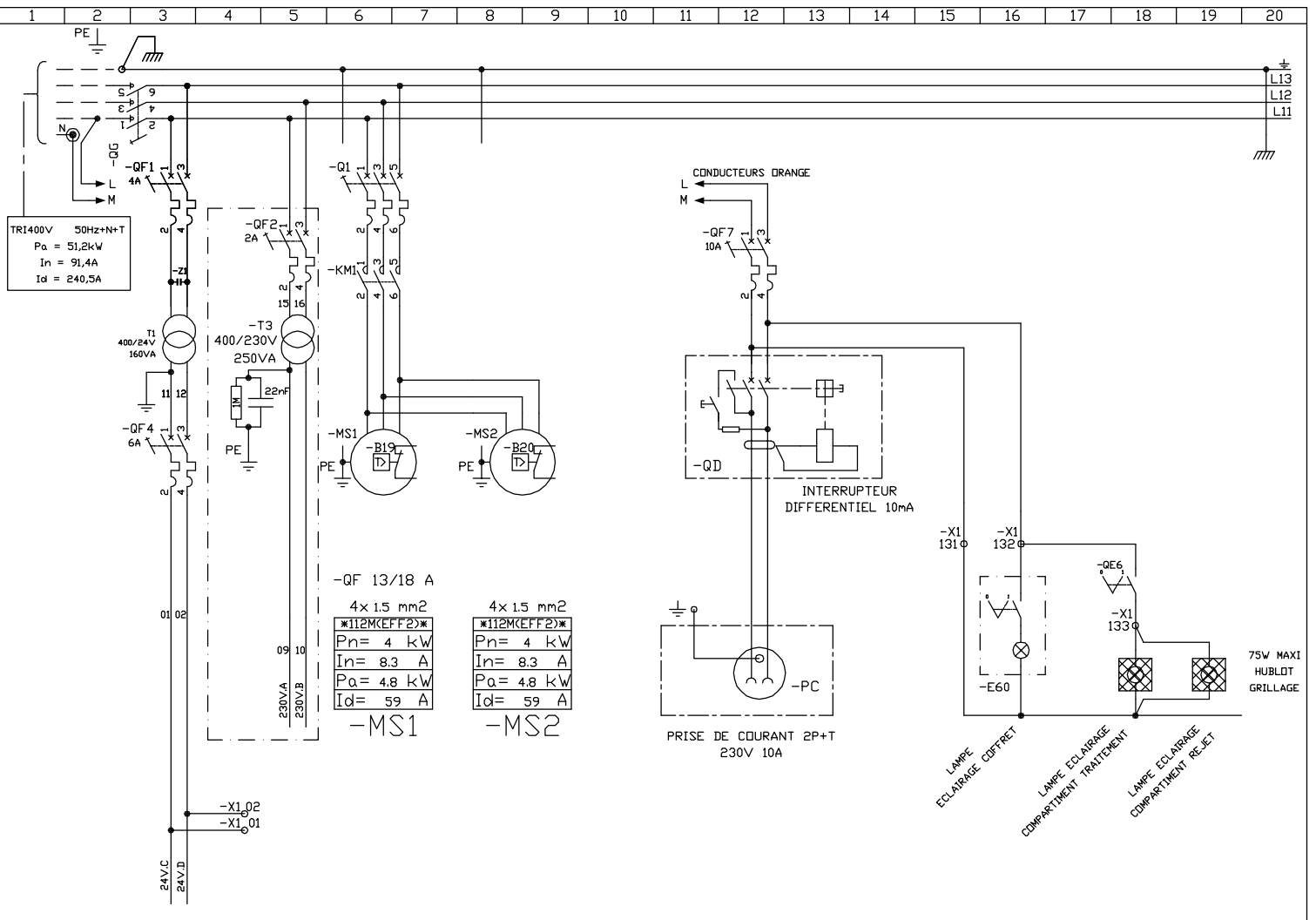
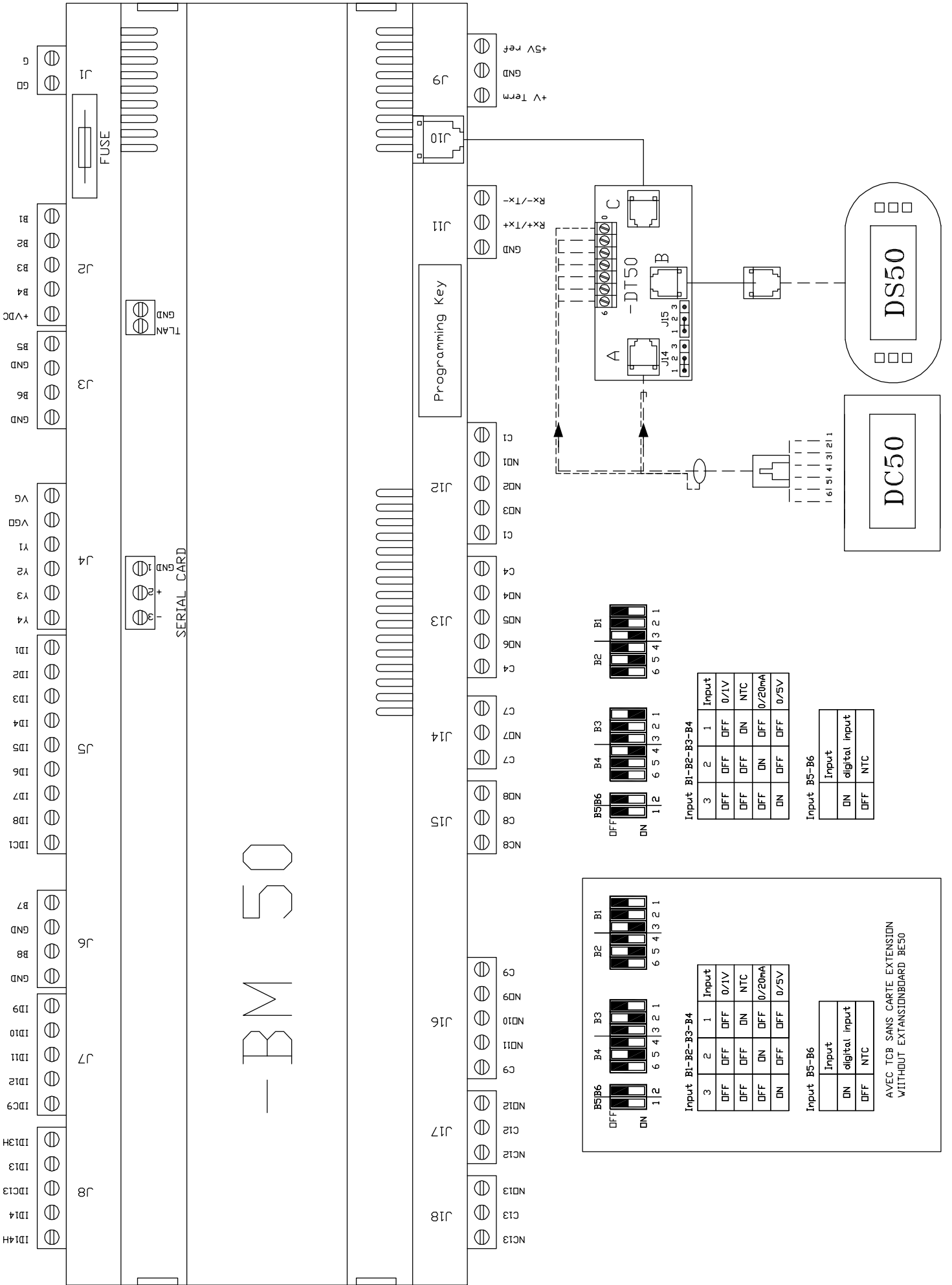


Indice	DATE	NOM	MODIFICATIONS
			
<i>ASDA RAWTENSTALL</i>			
(2) FGK 100 H <i>LENNOX UK</i>		Dessine: T/Y Date: 14.03.06	PAGE DE GARDE <div style="border: 1px solid black; padding: 2px; display: inline-block;">247078</div> <div style="display: inline-block; vertical-align: middle;">0 / 11</div>



- BM 50



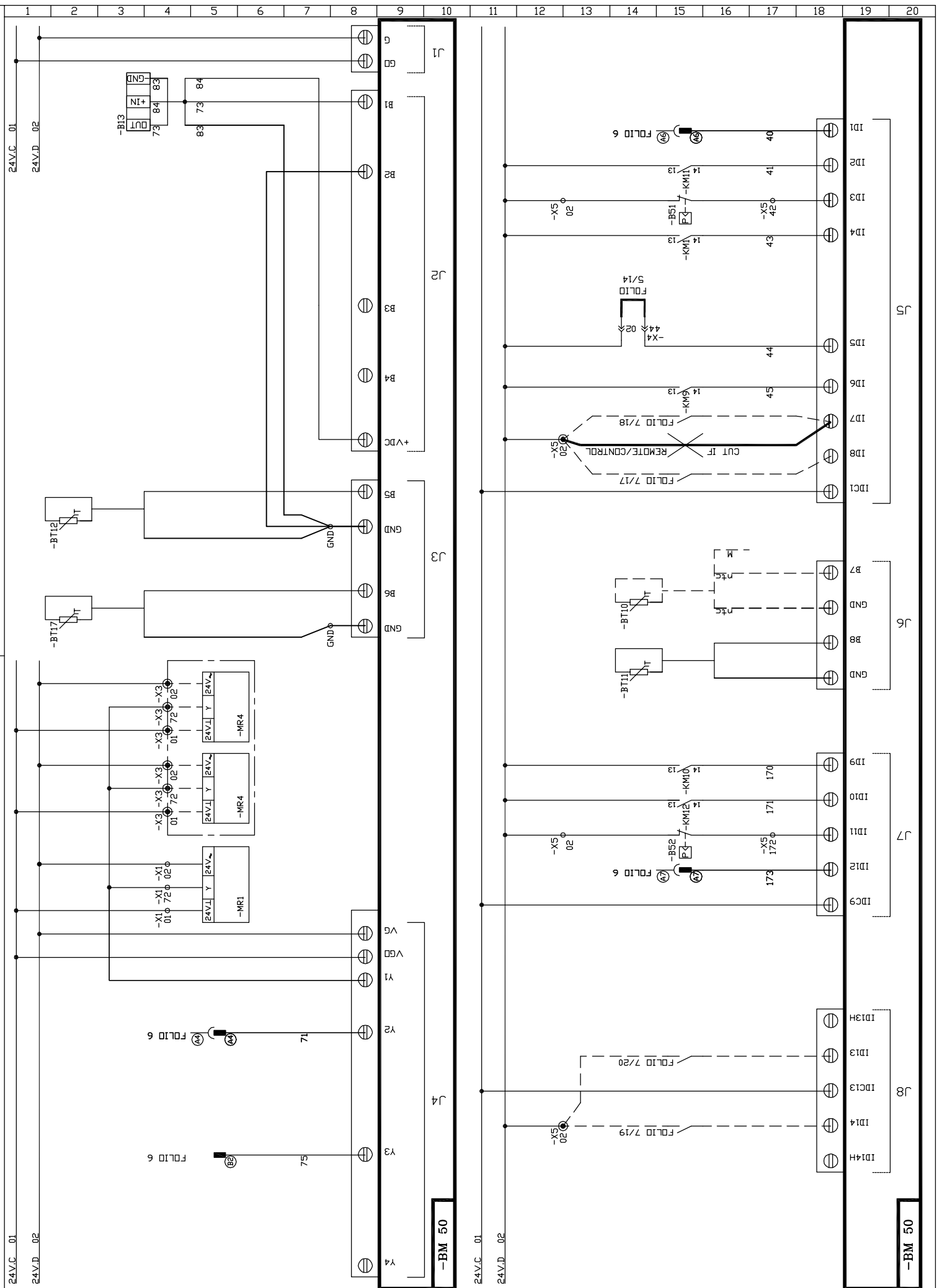
Indice	DATE	NOM	MODIFICATIONS

(2) FGK 100 H
Automate CLIMATIC 50
Climatic 50 Controller

Dessine: T/Y
Date: 14.03.06



247078 2/11



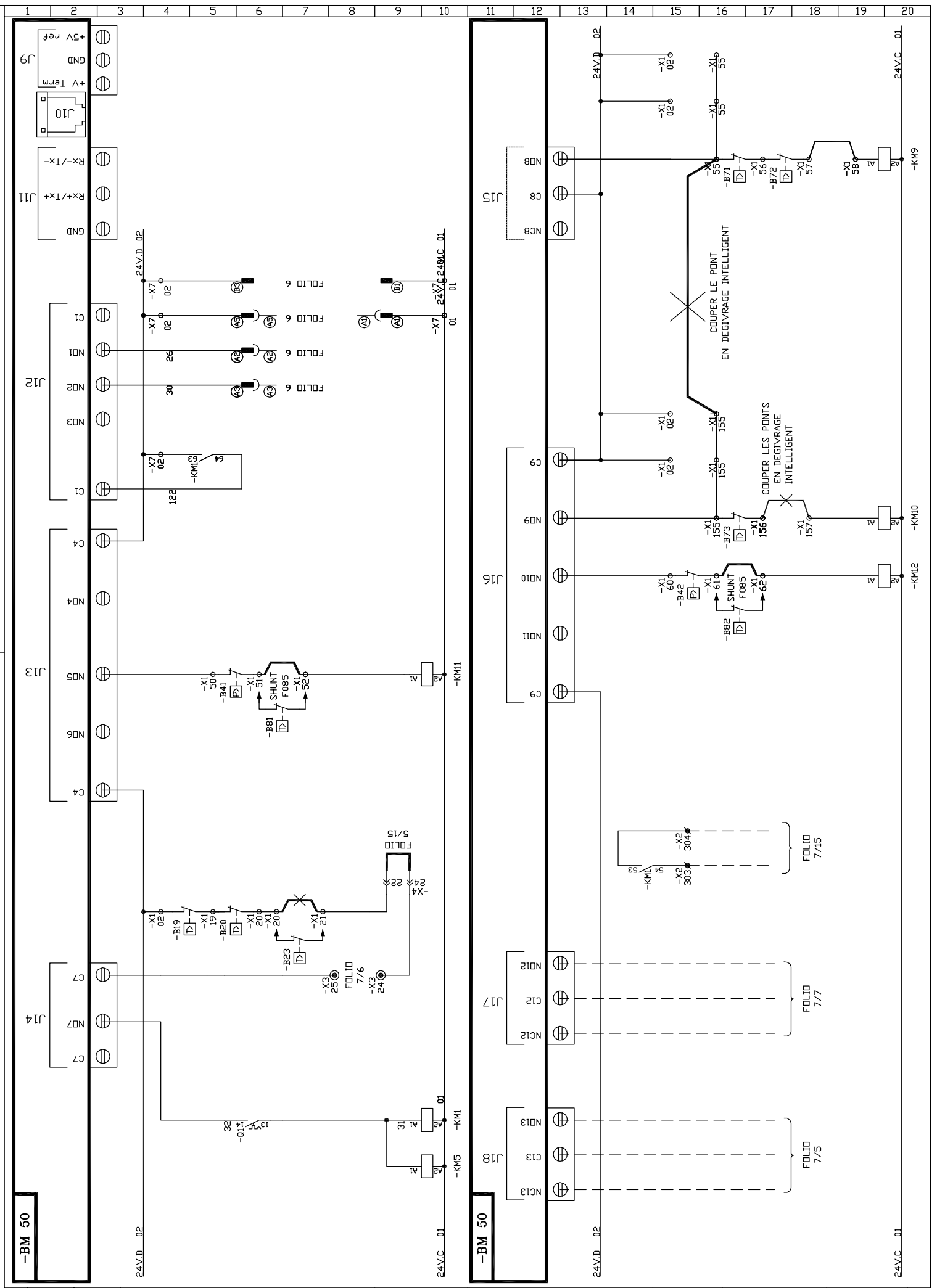
Indice	DATE	NOM	MODIFICATIONS

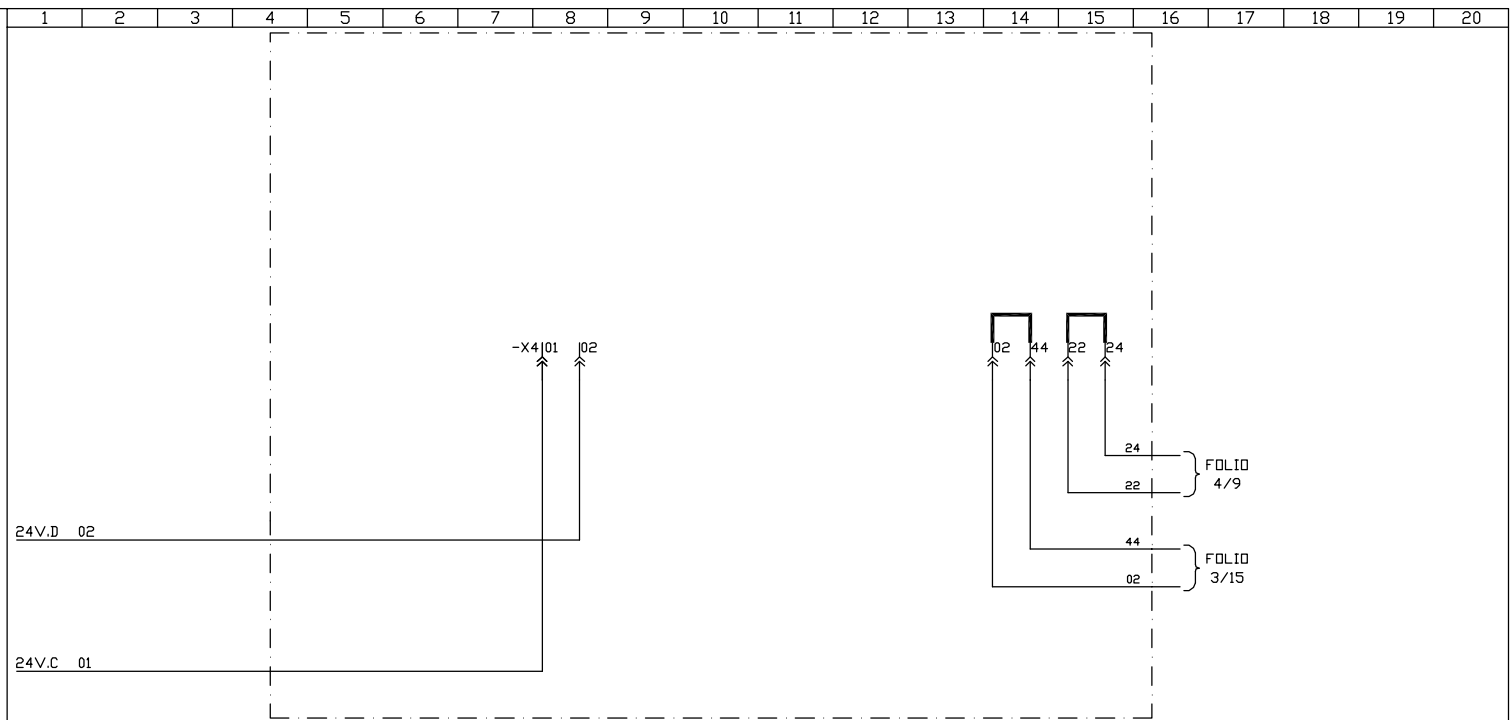
(2) FGK 100 H
Entrées Automate CLIMATIC 50
Climatic 50 Controller Input

Dessine: T/Y
Date: 14.03.06

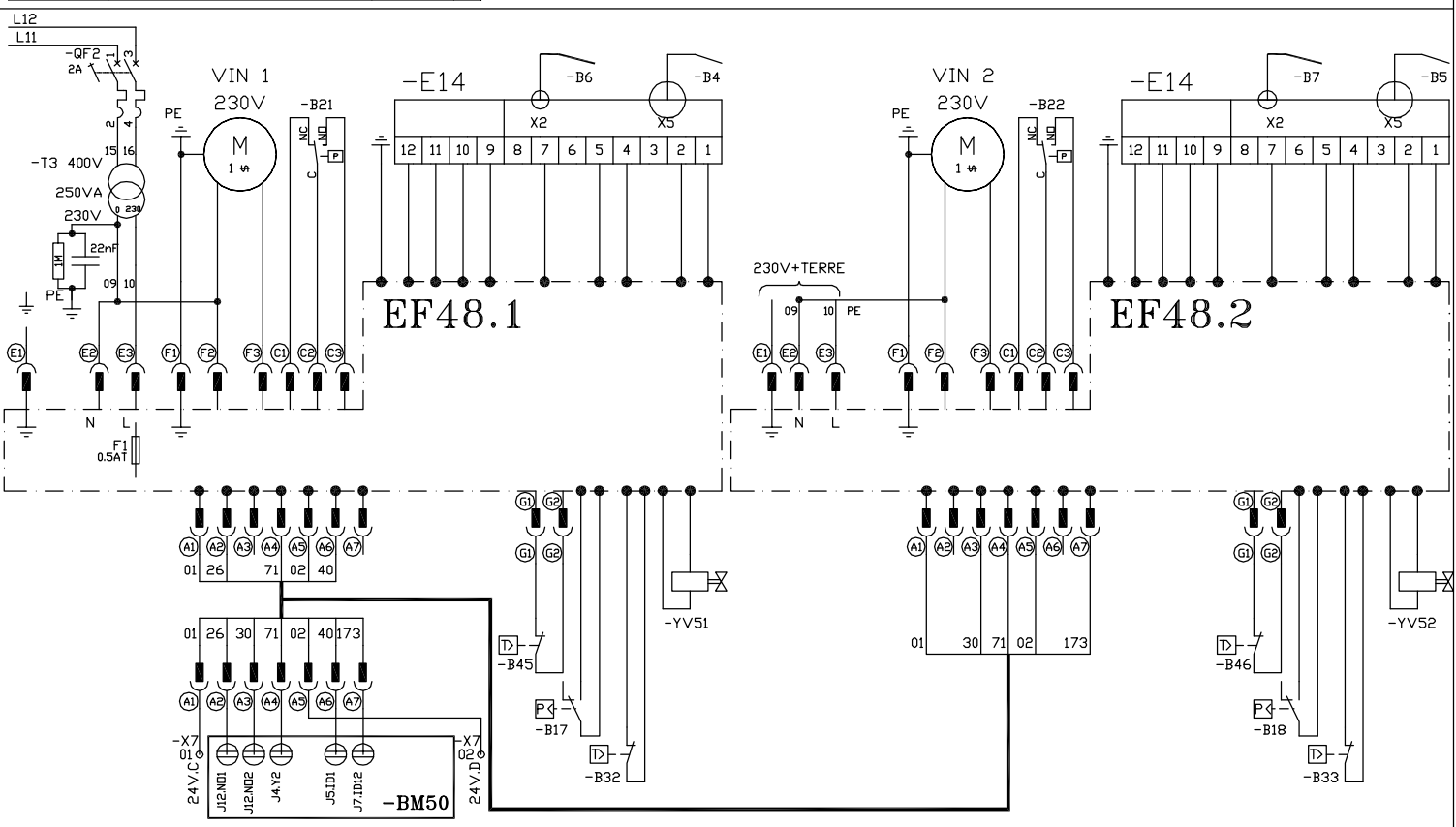


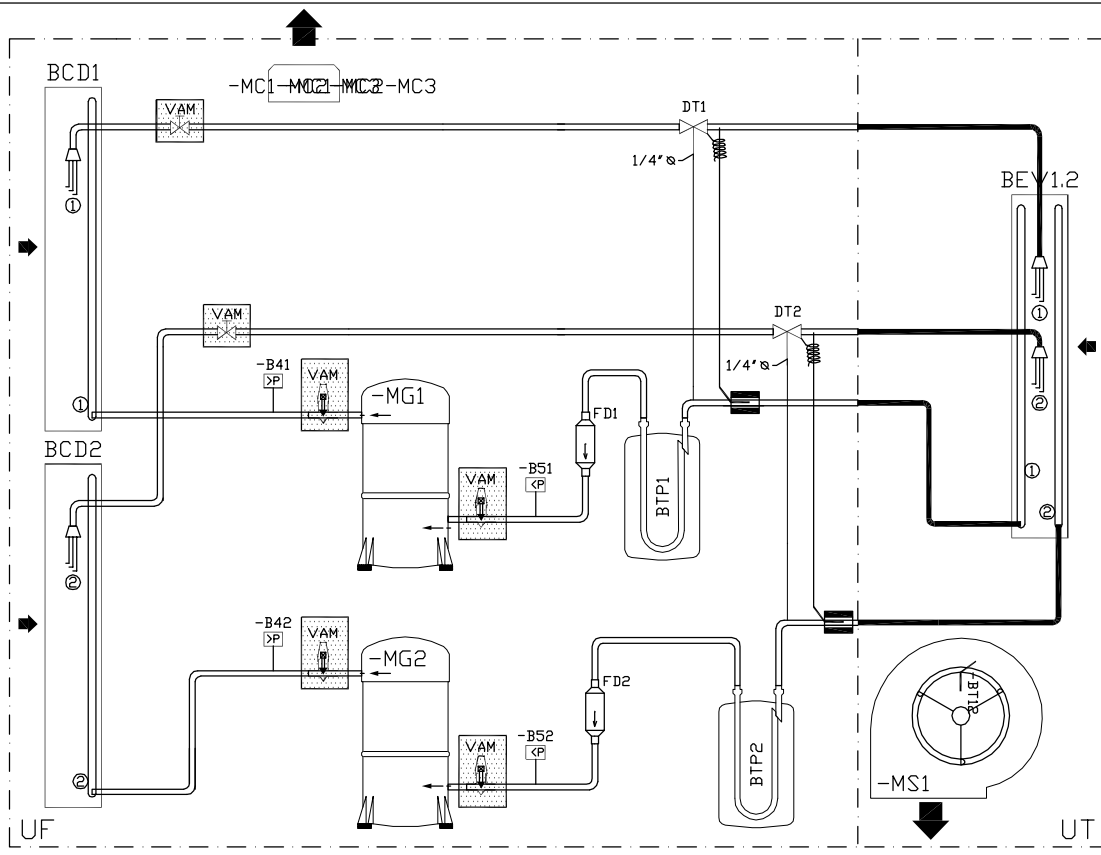
247078 3/11





REPERE	REFERENCE	CODE	Nb
-QF2	C60N 2A BIPOL COURBE D	4480474K	1
-T3	250VA 400V/230V	4430126T	1
-RC	CIRCUIT RC 1MEG0HM - 22nF	4770012Z	1
-EF48.1,2	-EF48	4770624Z	2

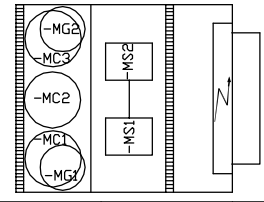




DIAMETRE TUYAUTERIES	
REFOULEMENT	7/8"
ASPIRATION	1"3/8"
LIGNE LIQUIDE	7/8"

TUYAUTERIE CALDRIFUGEE
 TUYAUTERIE NON CALDRIFUGEE

OPTION STEK
 OPTION R407C



Indice	DATE	NOM	MODIFICATIONS

(2) FGK 100 H
 Schéma Frigorifique \ Hydraulique
 Cooling \ Hydraulic Diagram

Dessine: T/Y
 Date: 14.03.06



247078 9/11

