
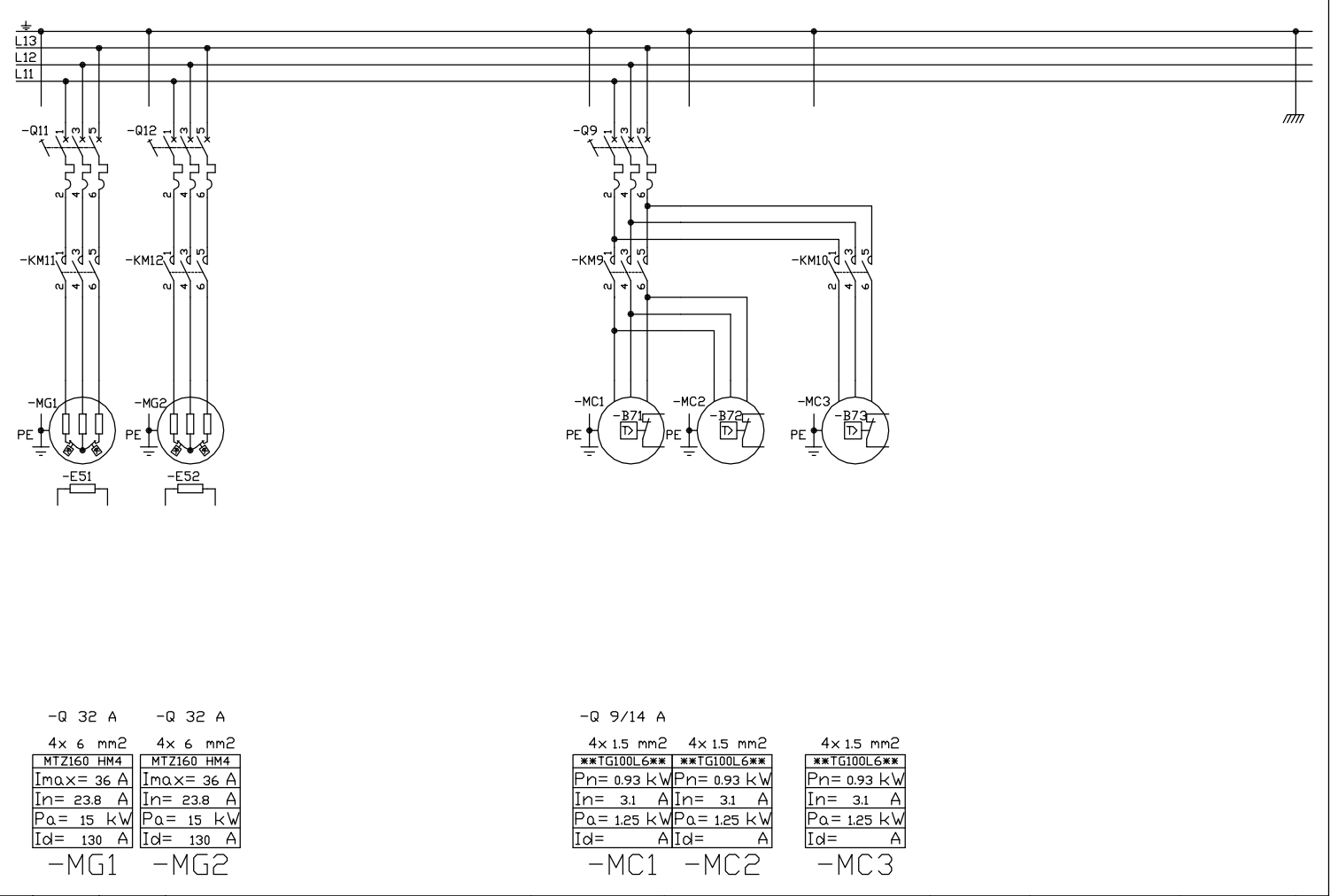
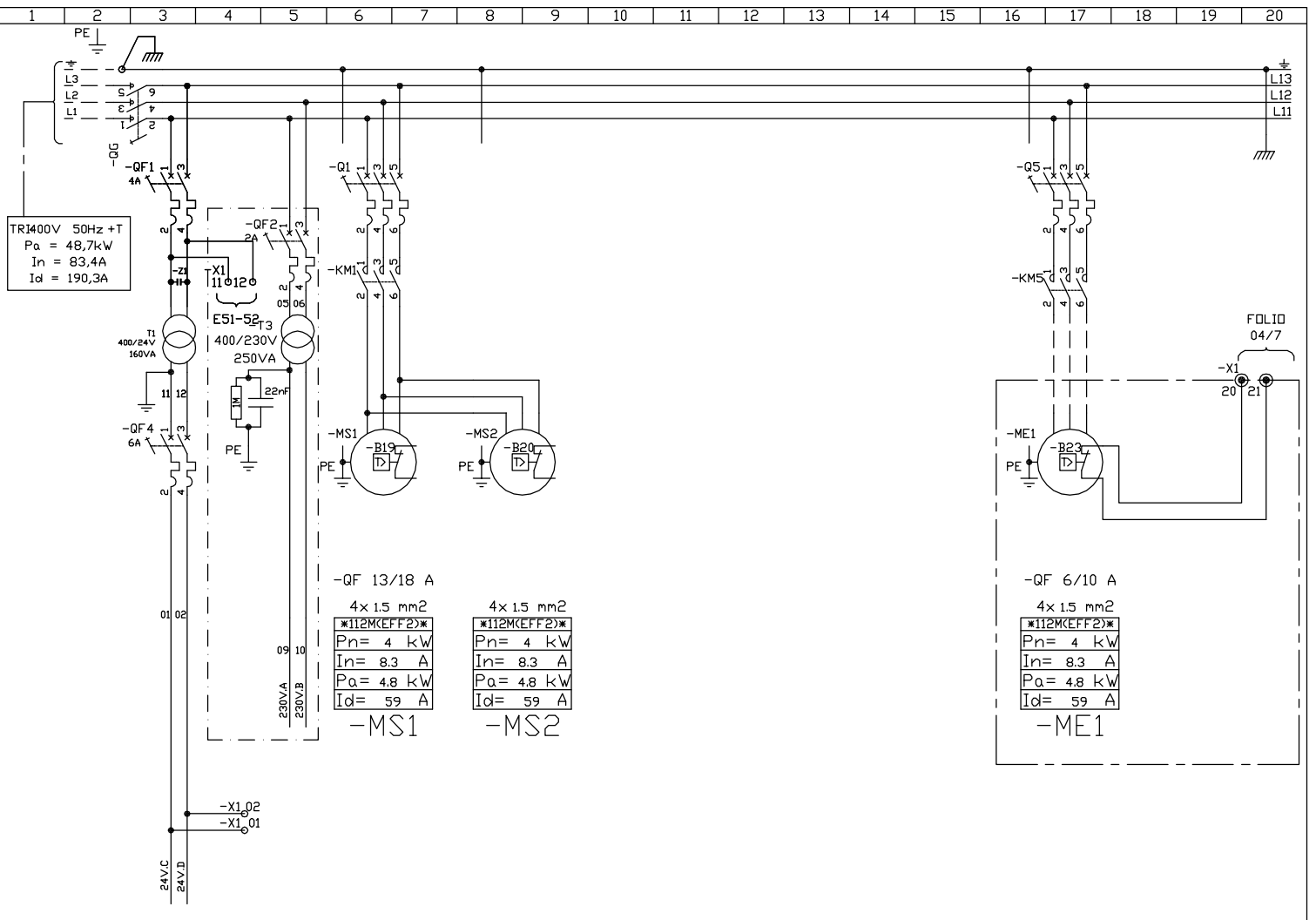
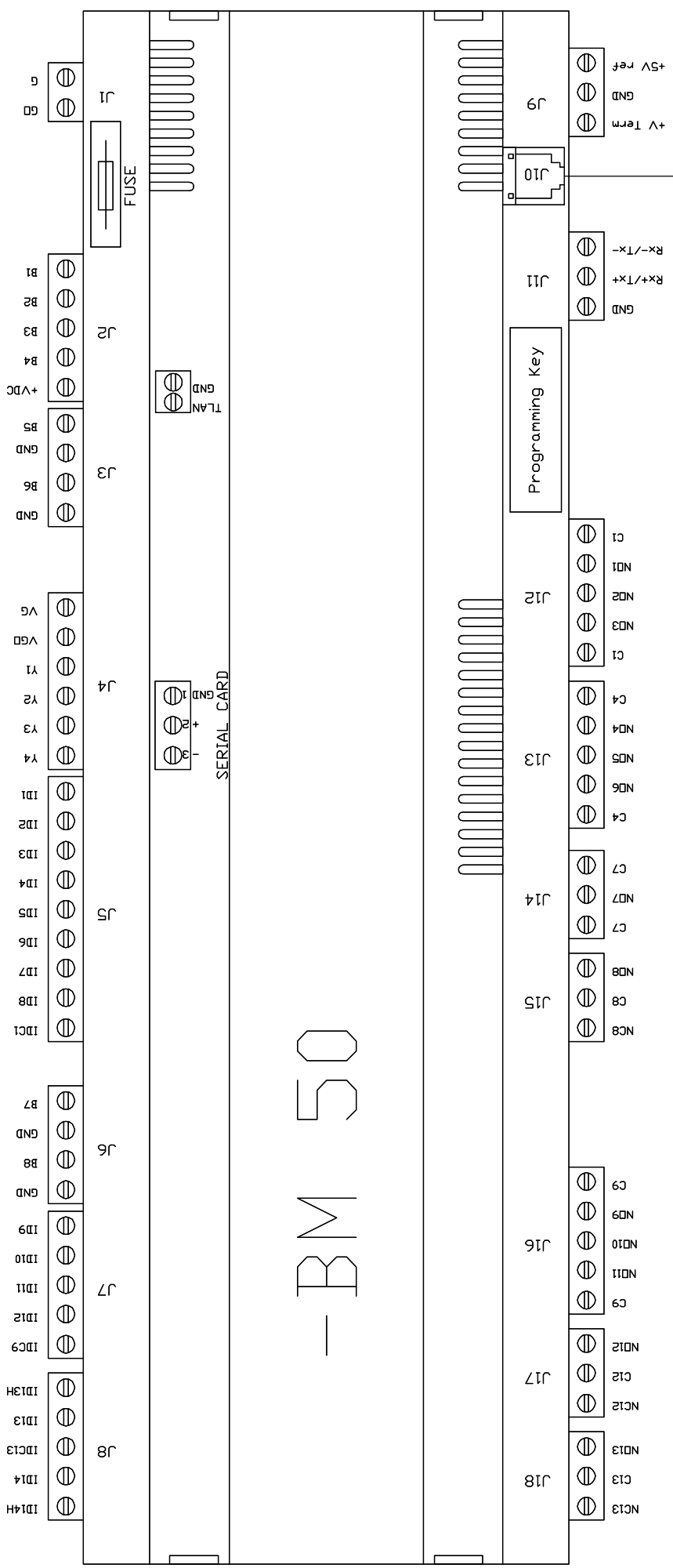
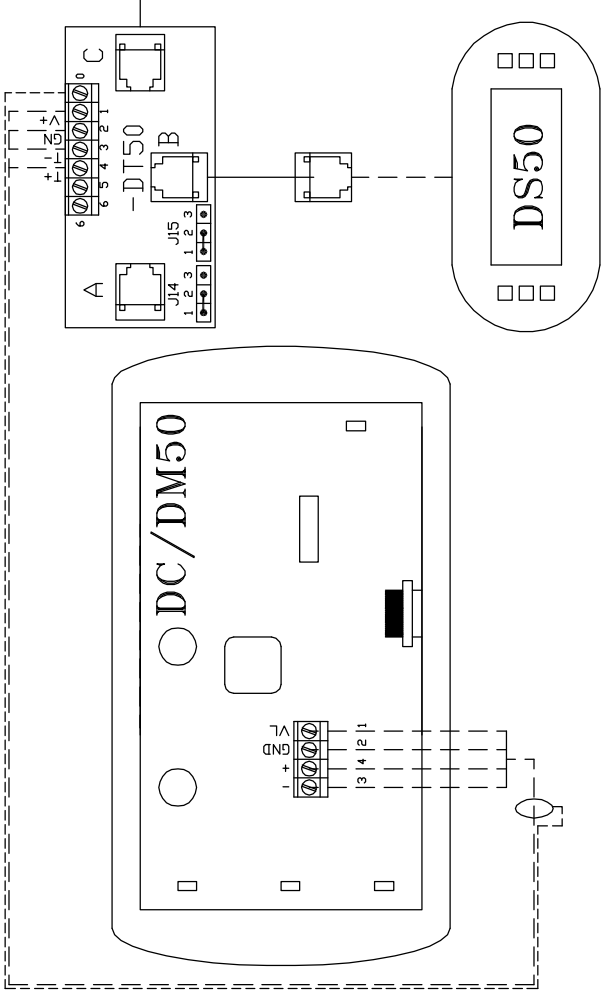


Indice	DATE	NOM	MODIFICATIONS
			
<i>Turpey Harris</i>			
(1) FGK 085 H	Dessine: CTO	PAGE DE GARDE	250902 0/11
LENNOX UK	Date: 05.10.06		





- BM 50



Input B1-B2-B3-B4

	1	Input
1	OFF	0/1V
2	OFF	DN
3	OFF	NTC
	OFF	0/20mA
	DN	0/5V

Input B5-B6

Input	digital input	NTC
DN	OFF	OFF

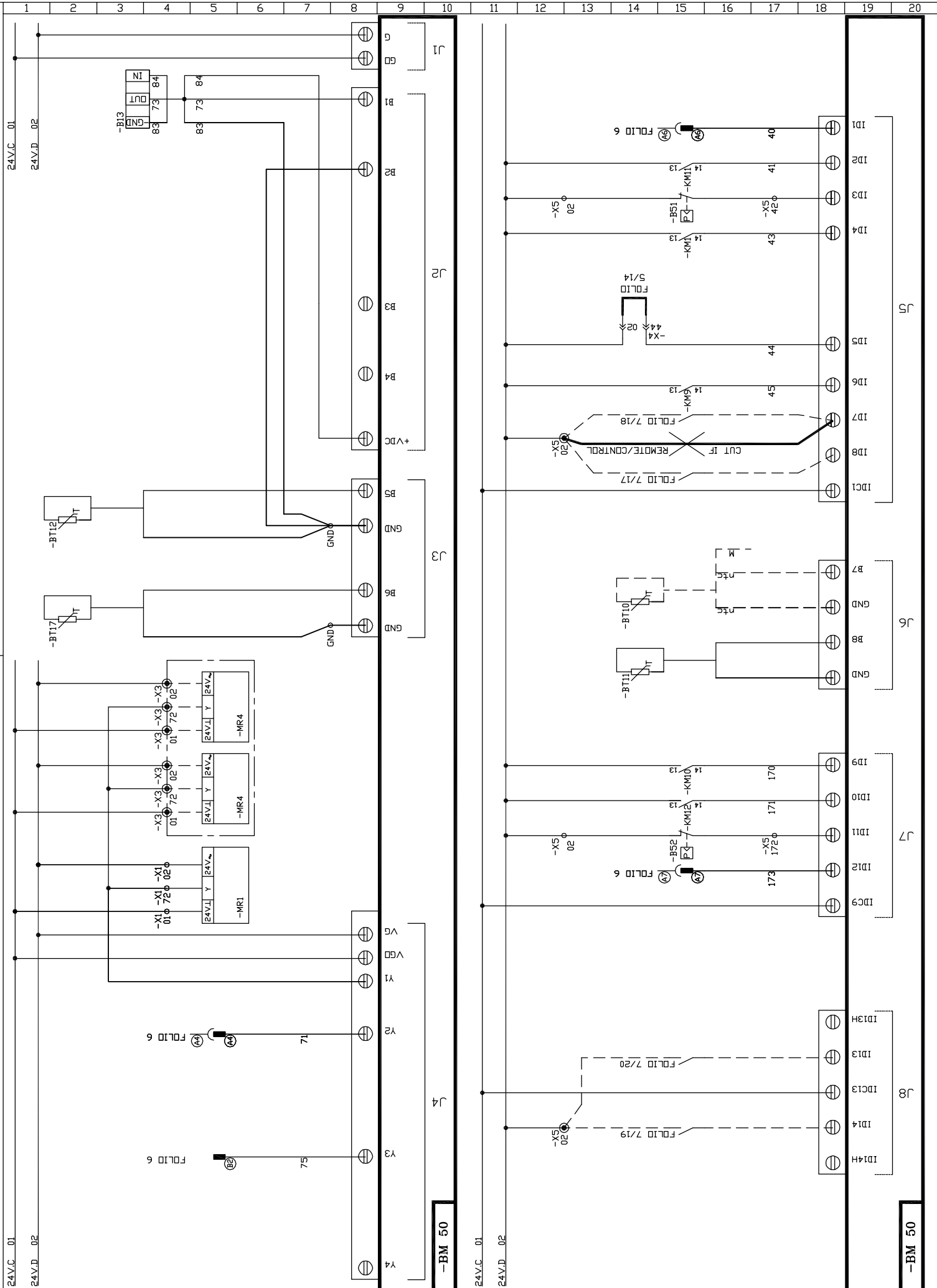
Input B1-B2-B3-B4

	1	Input
1	OFF	0/1V
2	OFF	DN
3	OFF	NTC
	OFF	0/20mA
	DN	0/5V

Input B5-B6

Input	digital input	NTC
DN	OFF	OFF

AVEC TCB SANS CARTE EXTENSION
WITHOUT EXTENSIONBOARD BE50



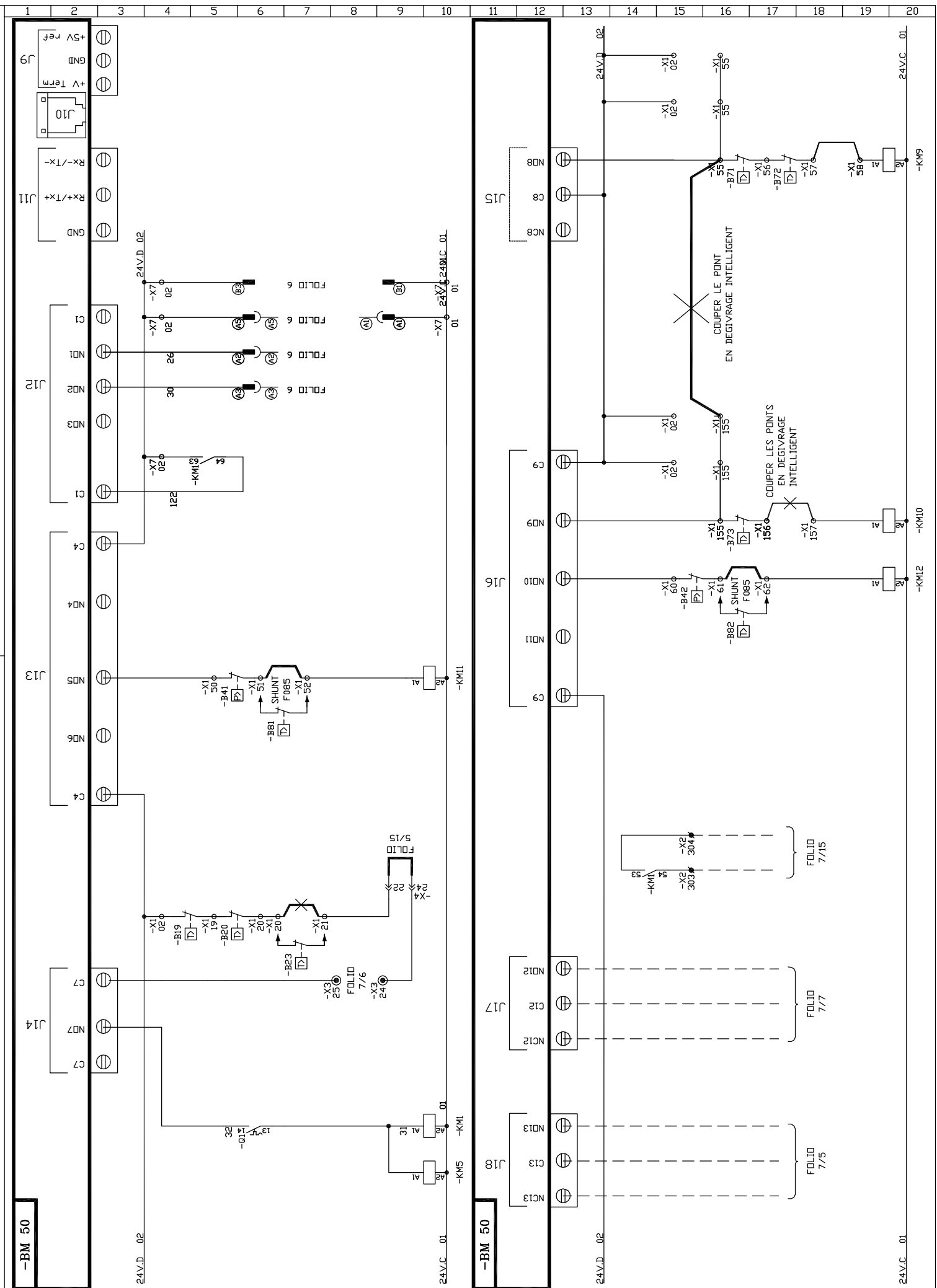
Indice	DATE	NOM	MODIFICATIONS

(1) FGK 085 H
Entrées Automate CLIMATIC 50
Climatic 50 Controller Input

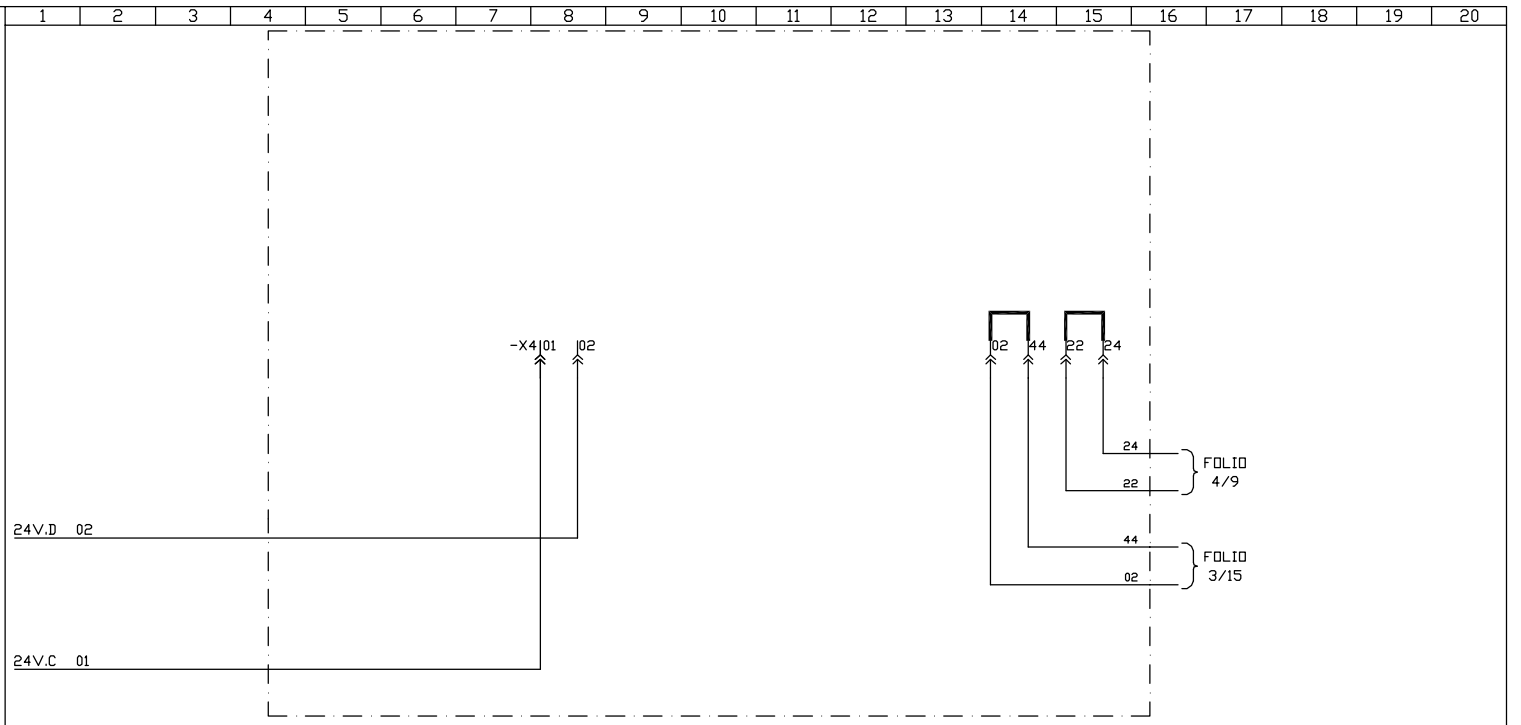
Dessine: CTO
Date: 05.10.06



250902 3/11



Indice	DATE	NOM	MODIFICATIONS



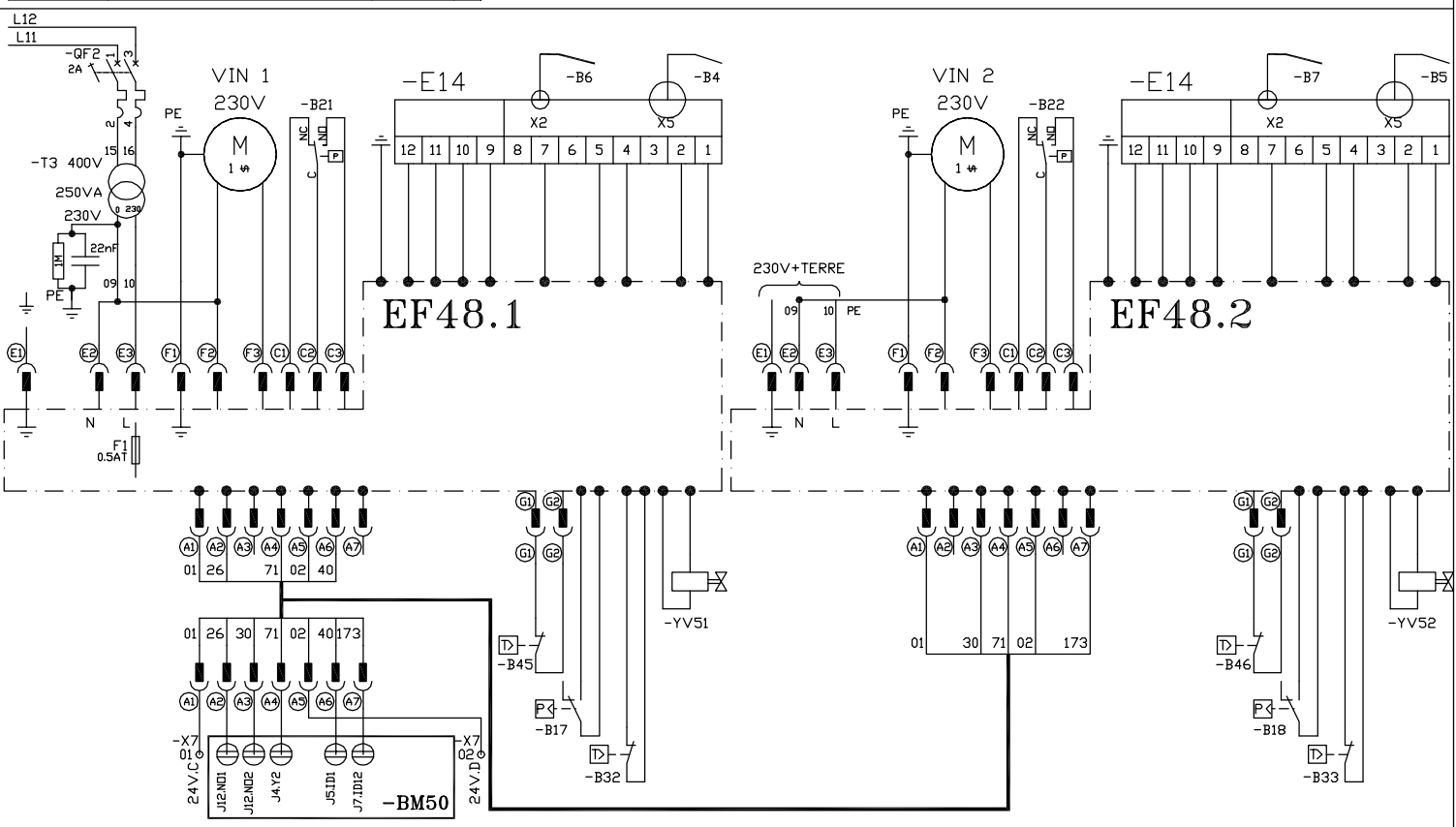
Indice	DATE	NOM	MODIFICATIONS

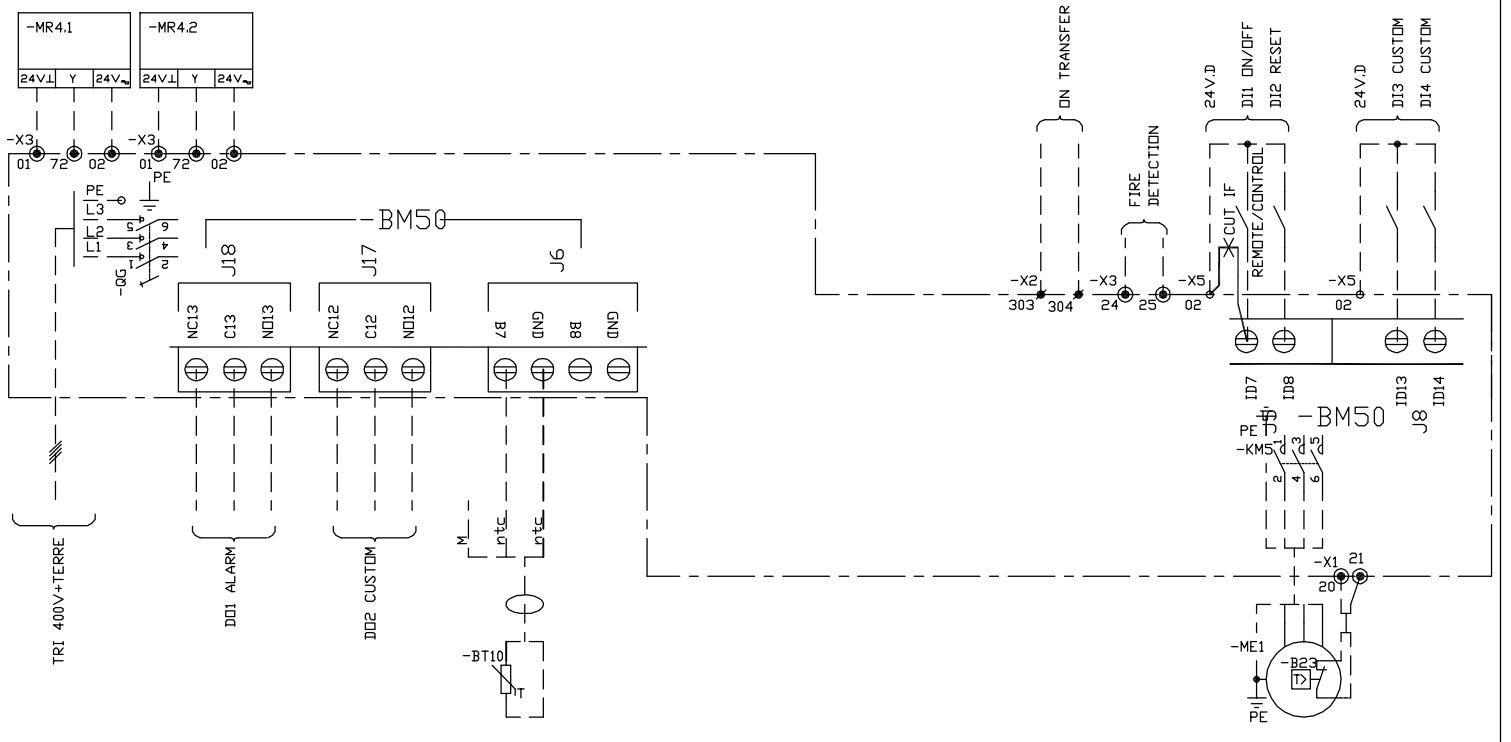
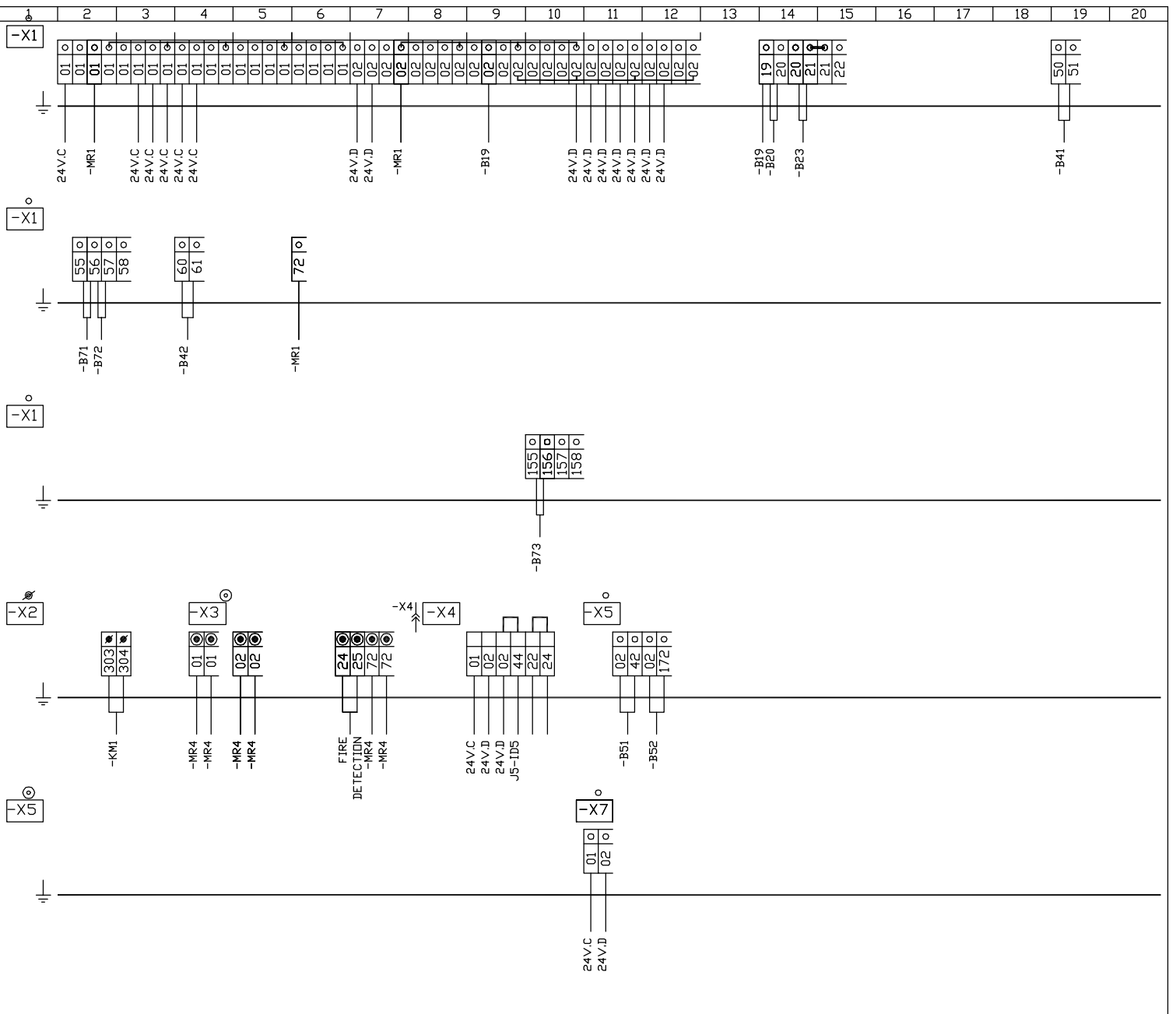
(1) FGK 085 H
 DAD \ BE50
 DAD \ BE50

Dessine: CTO
 Date: 05.10.06



REPERE	REFERENCE	CODE	Nb
-QF2	C60N 2A BIPOL COURBE D	4480474K	1
-T3	250VA 400V/230V	4430126T	1
-RC	CIRCUIT RC 1MEG0HM - 22nF	4770012Z	1
-EF48.1.2	-EF48	4770624Z	2





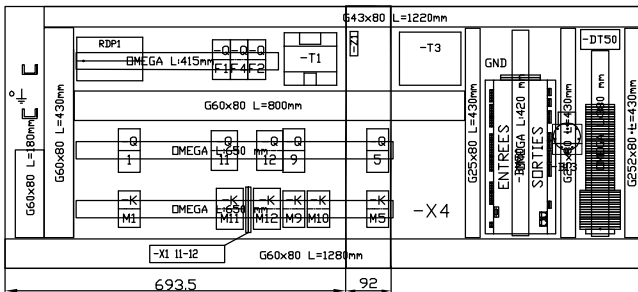
Indice	DATE	NOM	MODIFICATIONS

(1) FGK 085 H
 Borniers \ Raccordement Client
 Terminal Strip \ Customer

Dessine: CTO
 Date: 05.10.06



250902 7/11

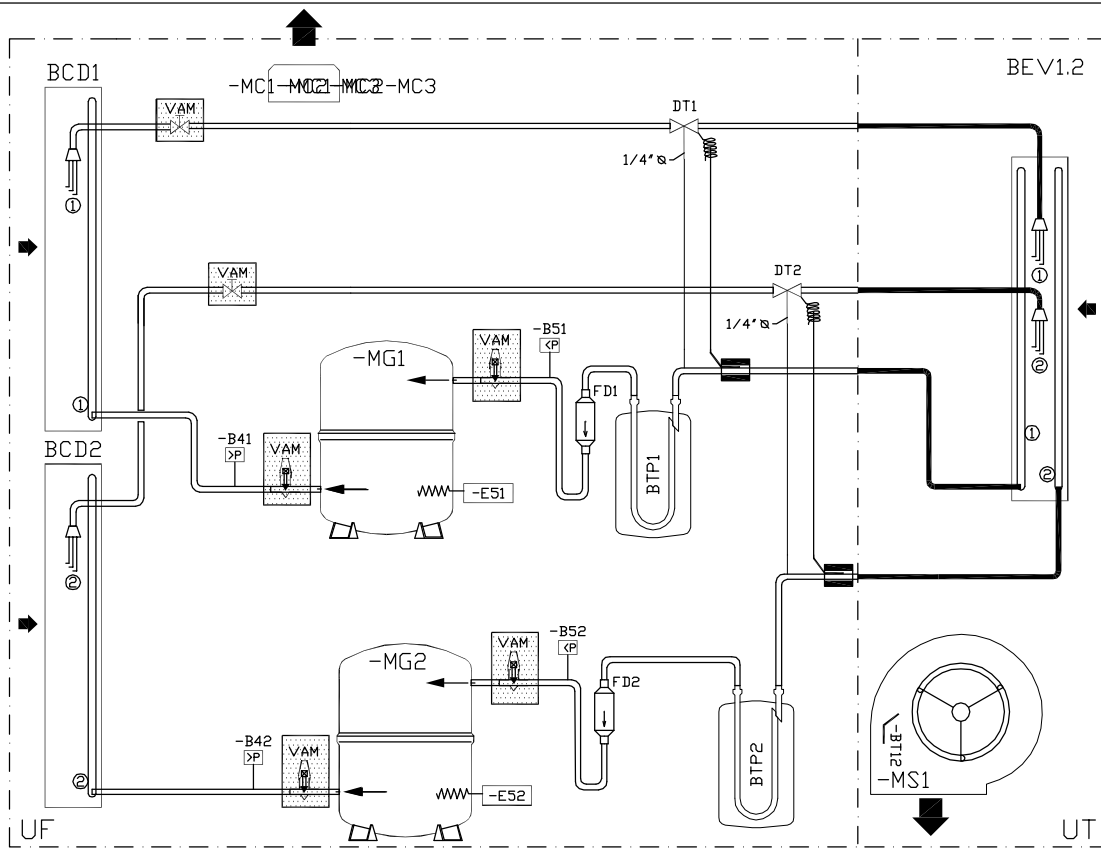


REPERE	REFERENCE	CODE	Nb
-QG	INTER DT 100 E3	4480681P	1
-QG	POIGNEE DE MANOEUVRE DHY2AJ	4480661L	1
-QG	ARBRE DE MANOEUVRE DX330	4480660J	1
PROFIL	OMEGA 35x7.5x1.5 LONG:140mm	5740142E	1
BARRETTE	TYPE MG 14979	5470186T	1
	REPARTITEUR DE PHASES	4480175V	1
-QF1	C60N 24583 4A BIPOL COURBE D	4480591H	1
-QF4	C60N 24584 6A BIPOL COURBE D	4480592J	1
-T1	160VA PRIMAIRE 400V /24V	4430121L	1
-B13	697 9500010A	4730097A	1
-B13	SUPPDRT PLAN N 5170027	*****	1
-Z1	LRC V2-0.22-220/400V	4770010X	1
-Q5	GV2 M14 6/10A	4410848T	1
-KM5	LC1 D09 B7	4410650A	1

REPERE	REFERENCE	CODE	Nb
-Q1	GV2 M20 13/18A	4410850W	1
-Q1	GV2 AE 11	4410853Z	1
-KM1	LC1 D18 B7	4410652F	1
-KM1	LA DN40	5410087M	1
-QF2	C60N 2A BIPOL COURBE D	4480474K	1
-T3	250VA 400V/230V	4430126T	1
-RC	CIRCUIT RC 1MEG0HM - 22nF	4430012Z	1

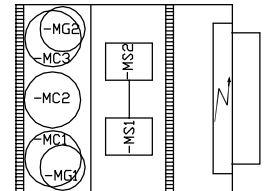
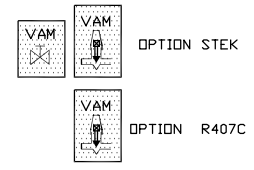
REPERE	REFERENCE	CODE	Nb
-BM50	CLIMATIC 50 2Mega	4770607Z	1
-DT50	-DT50	4770623Y	1
BORNIER	D2.5/5.SNBT.2L ORANGE	5470163K	2
	PLAQUE DE FERMETURE FED5.2L	5470512X	1
	D2.5/5.2L GRISE	5470200N	**
	PLAQUE DE FERMETURE FED5.2L	5470235P	1
	D2.5/5.4L GRISE 24V.C.D	5470270R	16
	PLAQUE DE FERMETURE FED5.4L	5470273W	1
	LIAISON 4 POLES BJDLS.4	5470275Y	2
-Q11-Q12	C60N 32A TRIPOL COURBE D	4480499W	2
-KM11-KM12	LC1 D25 B7	4410653H	2
-Q9	GV2 M16 9/14A	4410849V	1
-KM10	LC1 D0910 B7	4410650A	1

(1) FGK 085 H
Implantation coffret
Box Layout



DIAMETRE TUYAUTERIES	
REFOULEMENT	7/8"
ASPIRATION	1"1/8"
LIGNE LIQUIDE	5/8"

TUYAUTERIE CALDRIFUGEE
 TUYAUTERIE NON CALDRIFUGEE



(1) FGK 085 H
 Schéma Frigorifique \ Hydraulique
 Cooling \ Hydraulic Diagram

Dessine: CTO
 Date: 05.10.06



250902 9/11

Indice	DATE	NOM	MODIFICATIONS

