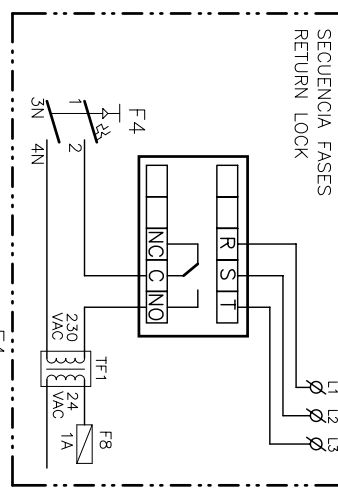
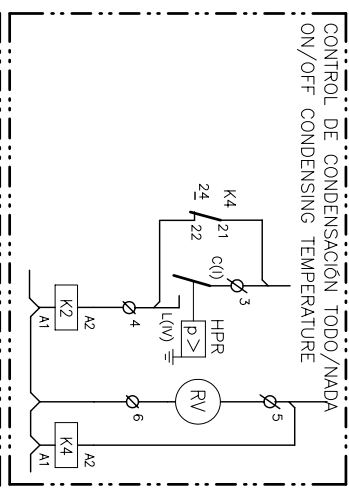
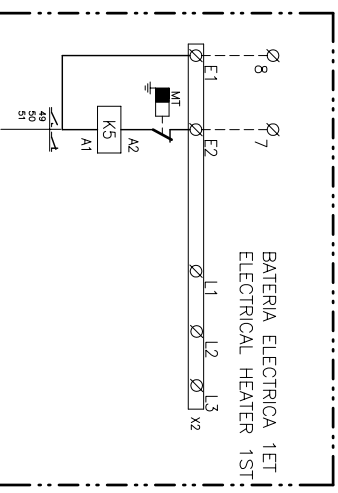
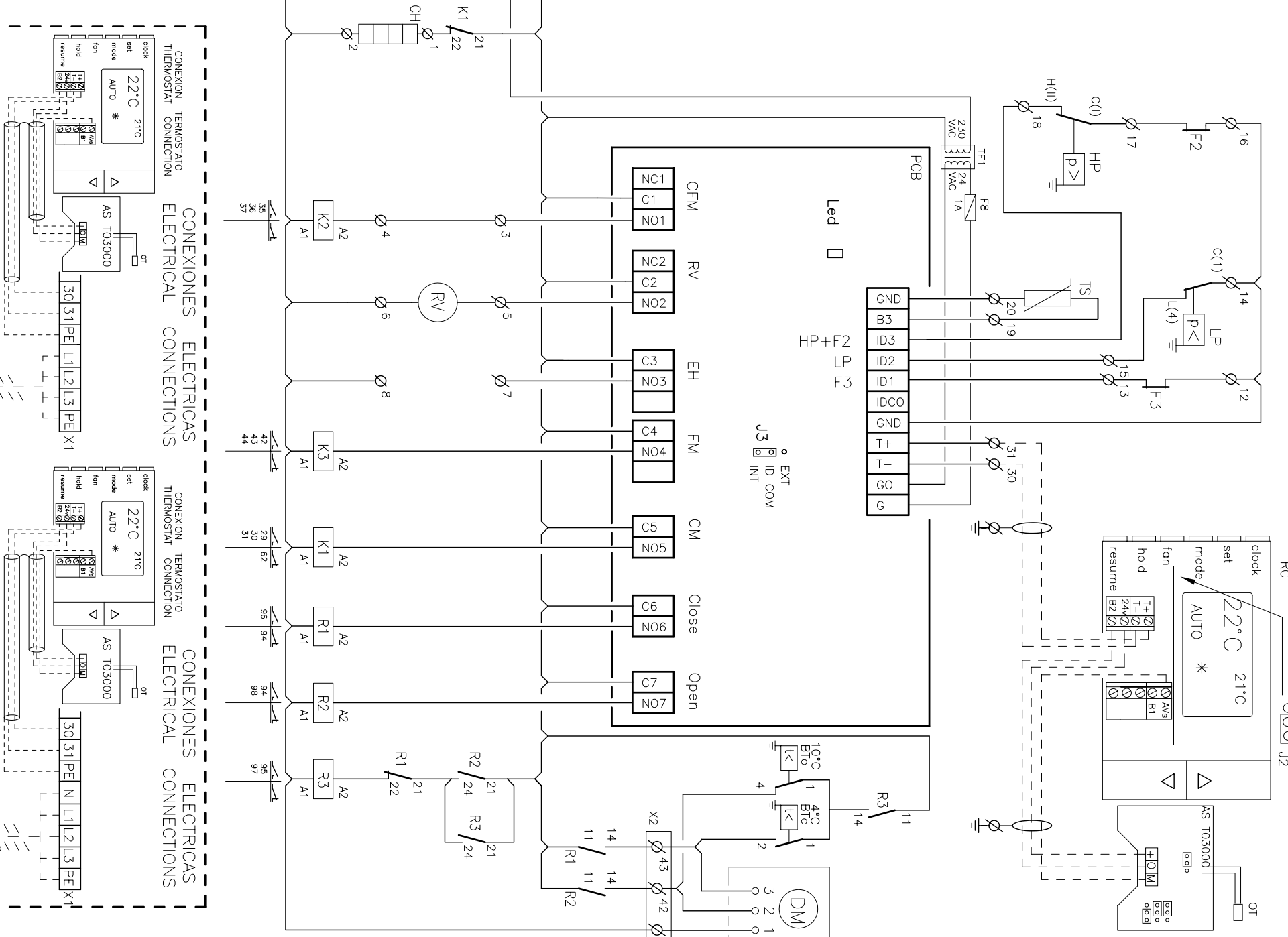
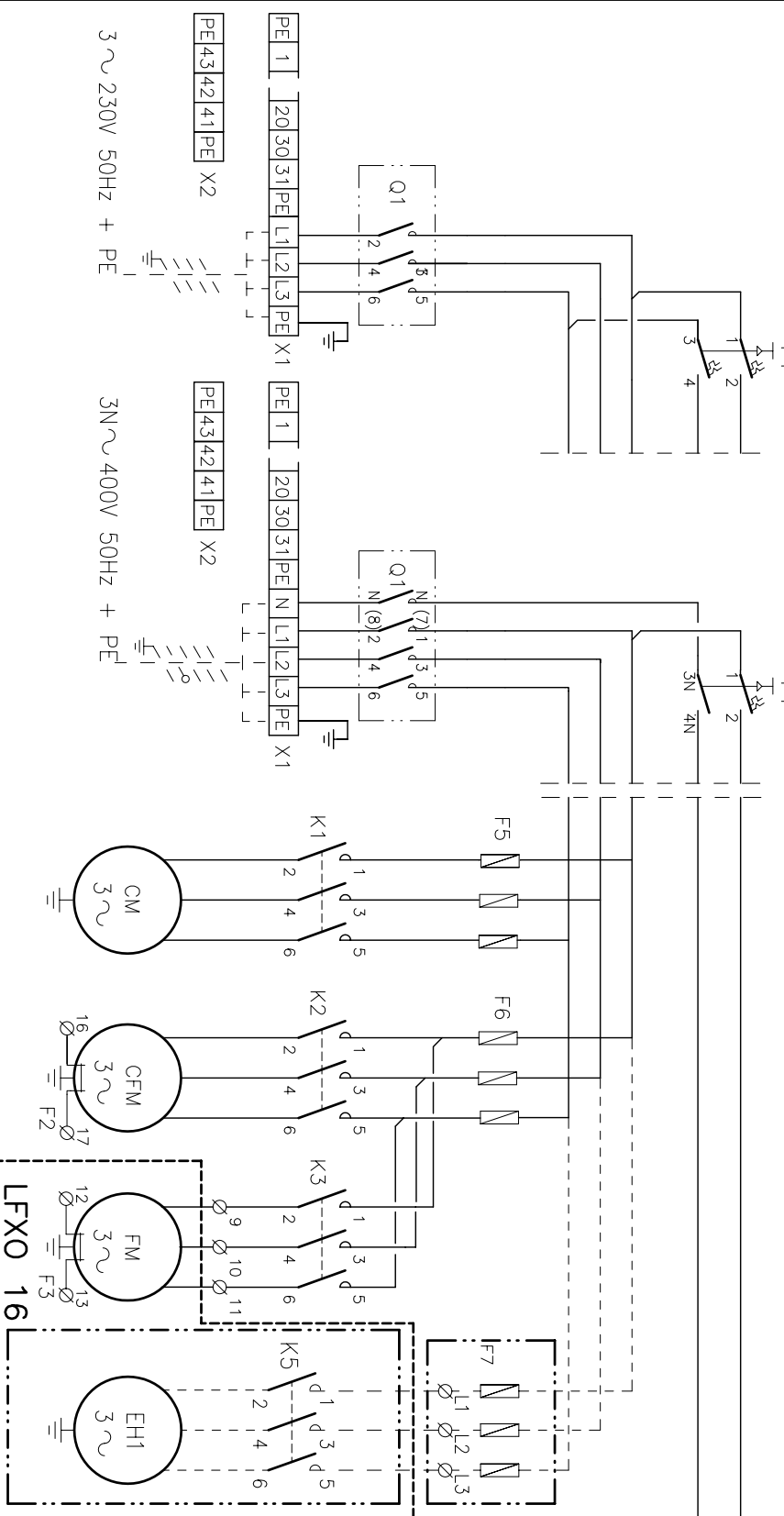
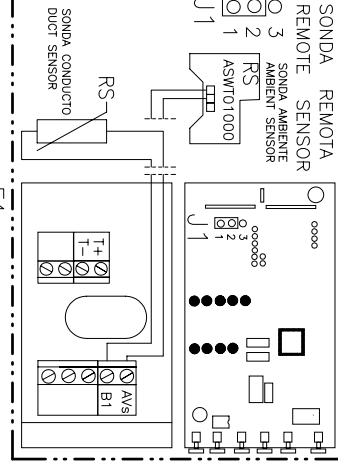


ELEMENTOS OPCIONALES / OPTIONAL ELEMENTS



- | | | |
|------|------------------------------------|-----------------------------------|
| C | Condensador | Condenser |
| CFM | Motor Ventilador Exterior | Condenser Fan Motor |
| CH | Calentador de Carter | Crank Case Heater |
| CM | Motor del Compresor | Compressor Motor |
| EH | Bateria Eléctrica | Electric Heater |
| F2-3 | Protección Térmica | Thermal Protection |
| F4 | Magnetotérmico | Circuitbreaker |
| F5-8 | Fusibles | Fuses |
| FM | Motor Ventilador Interior | Internal Fan Motor |
| HP | Presostato de Alta | High Pressure Pressostat |
| HPR | Presostato control de condensación | Condensing temperature pressostat |
| K | Contacto | Contact |
| LP | Presostato de Baja | Low Pressure Pressostat |
| MT | Temostato de Seguridad | Security Thermostat |
| PCB | Placa Circuito Impreso | Printed Circuit Board |
| Q1 | Interruptor general | Main switch |
| RC | Control Remoto | Remote Control |
| RV | Válvula Inversora | Reverse Valve |
| RS | Sonda remota | Remote sensor |
| TS | Transformador | Transformer |
| TS | Sonda exterior | External sensor |
| Bto | Termostato de descarga | Discharge thermostat |
| BTC | Termostato de descarga | Discharge thermostat |
| OT | Sonda exterior | Outdoor sensor |
| DM | Servomotor | Damper |



Elemento Opcional
Optional Element
A Realizar por el Instalador
To Wire by the Installer

Fusibles Fuses size	F5	F6
230/3/50	3 x 25A	3 x 16A
400/3/50	3 x 16A	3 x 10A

Lennox Refac S.A. ESQUEMA ELECTRICO FLHA (LFHO+KFHA) 16 FLHK (LFHO+KFHK) 16 32-33-684-434 12C 3N 400V 50Hz + PE 3 ~ 230V 50Hz + PE