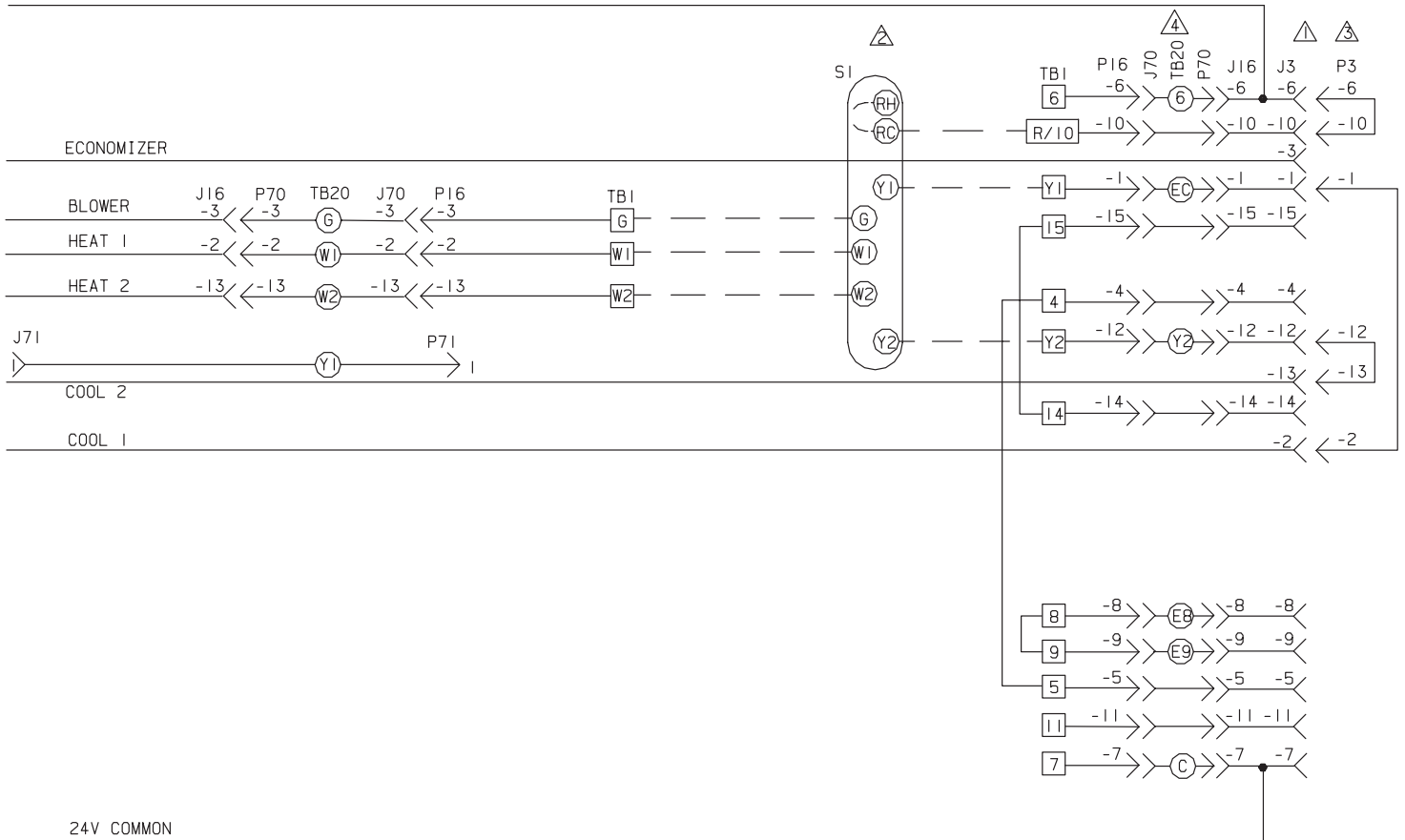

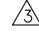
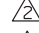



24V POWER



24V COMMON

DESCRIPTION	
KEY	COMPONENT
J3	JACK-UNIT ECONOMIZER
J16	JACK-UNIT
J70	JACK-NOVAR TEST
J71	JACK-NOVAR TEST
P3	PLUG-LESS ECONOMIZER
P16	PLUG-UNIT
S1	THERMOSTAT-ROOM
P70	PLUG-NOVAR TEST
P71	PLUG-NOVAR TEST
TB1	TERMINAL STRIP-LOW VOLT
TB20	TERMINAL STRIP-NOVAR TEST

-  TB20 OPTIONAL
-  REMOVE P3 WHEN ECONOMIZER IS USED
-  THERMOSTAT SUPPLIED BY USER
-  J3 MAXIMUM LOAD 20VA 24VAC CLASS II

— — — — — LOW VOLTAGE FIELD WIRING
 ————— FACTORY WIRING

LENNOX [®] Industries Inc.	WIRING DIAGRAM	3/93
ACCESSORIES		
ELECTROMECHANICAL THERMOSTAT FOR 16 & 24 SERIES UNITS (2 HEAT, 2 COOL)		
TEMPERATURE CONTROL SECTION C I		
Supersedes Form No.	New Form No.	
	529, 194W	