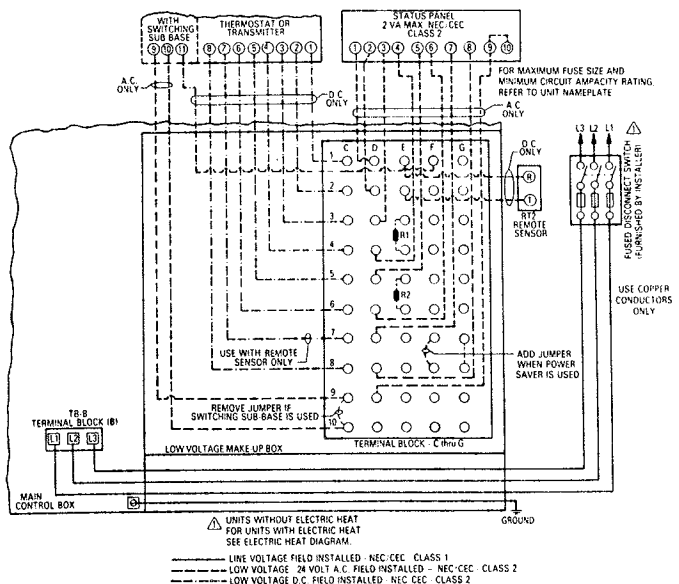


INDICATES OPTIONAL CONNECTIONS



KEY	COMPONENT	LOCATION	REF AREA
A1	panel logic	main cont box	
A2	control - thermostat or transmitter	remote	
CMC1	timer - defrost (comp No. 1)	main cont box	
CMC2	timer - defrost (comp No. 2)	main cont box	
F3	fuse - control (24V)	main cont box	
JP1(1,2)	plug - jack (exhaust fans)	evap compt	
K2, K2-1, 2, 4	relay - night	main cont box	
K3	relay - blower	main cont box	
K4	contactor - exhaust fans	exhaust fan cont box	
K5-3	relay - defrost No. 1	main cont box	
K6-3	relay - defrost No. 2	main cont box	
K10, K10-1	relay - emergency heat	main cont box	
K11, K11-2	relay - compressor control No. 1	main cont box	
K12, K12-2	relay - compressor control No. 2	main cont box	
K17-1	relay - read 1	main cont box	
K18-1	relay - read 2	main cont box	
K19, K19-2	relay - electric heat	main cont box	
K22, K22-2	relay - reversing valve	main cont box	
K23, K23-1	relay - voltage controlled	main cont box	
R1	resistor - night heat	main cont box	
R2	resistor - night cool	main cont box	
RT1	sensor - discharge	hig. compart	
RT2	sensor - room or return air	remote	
S6	switch - cooling lock out	main cont box	
S8	switch - exhaust fans	power saver	
S12	thermostat - amb temp	main cont box	
S14	switch - dirty filter	blower compt	
T3	transformer - control (24V)	main cont box	
TB-C	block - terminal (C)	main cont box	
TB-D	block - terminal (D)	main cont box	
TB-E	block - terminal (E)	main cont box	
TB-F	block - terminal (F)	main cont box	
TB-G	block - terminal (G)	main cont box	

UNITS WITHOUT ELECTRIC HEAT FOR UNITS WITH ELECTRIC HEAT SEE ELECTRIC HEAT DIAGRAM

LINE VOLTAGE FIELD INSTALLED - NEC/CEC CLASS 1  
 LOW VOLTAGE 24 VOLT A.C. FIELD INSTALLED - NEC/CEC CLASS 2  
 LOW VOLTAGE D.C. FIELD INSTALLED - NEC/CEC CLASS 2

**LENNOX** Industries Inc. WIRING DIAGRAM 714

**HEAT PUMP - PACKAGED**

CHP11-2753-1 & 2 W.O.G.J.M-HW

\*\*DESIGNATES HOT WATER HEAT UNIT

**HEAT PUMP CONTROL - SECTION B2-B**

Supersedes Form No. \_\_\_\_\_ New Form No. 527.507W