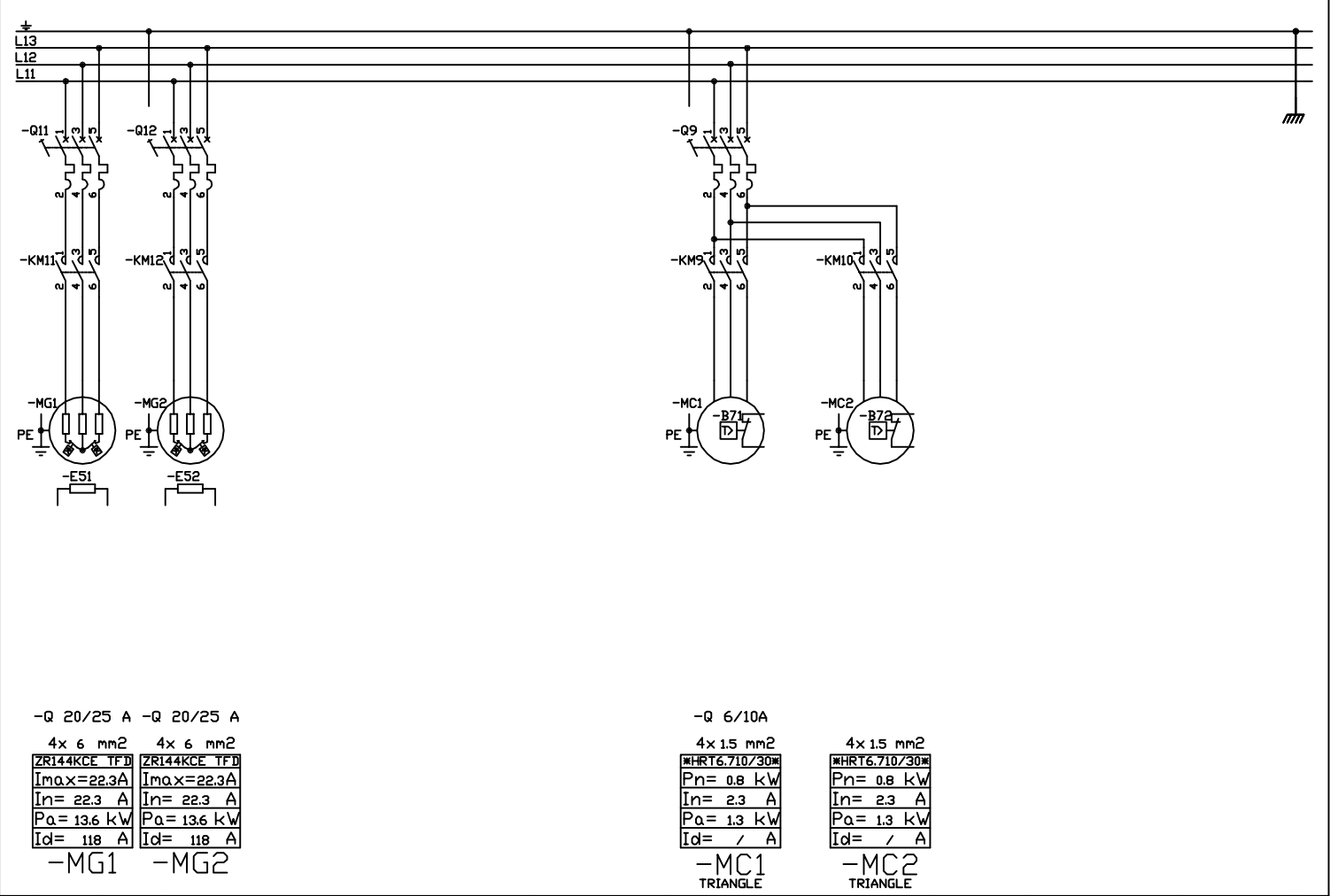
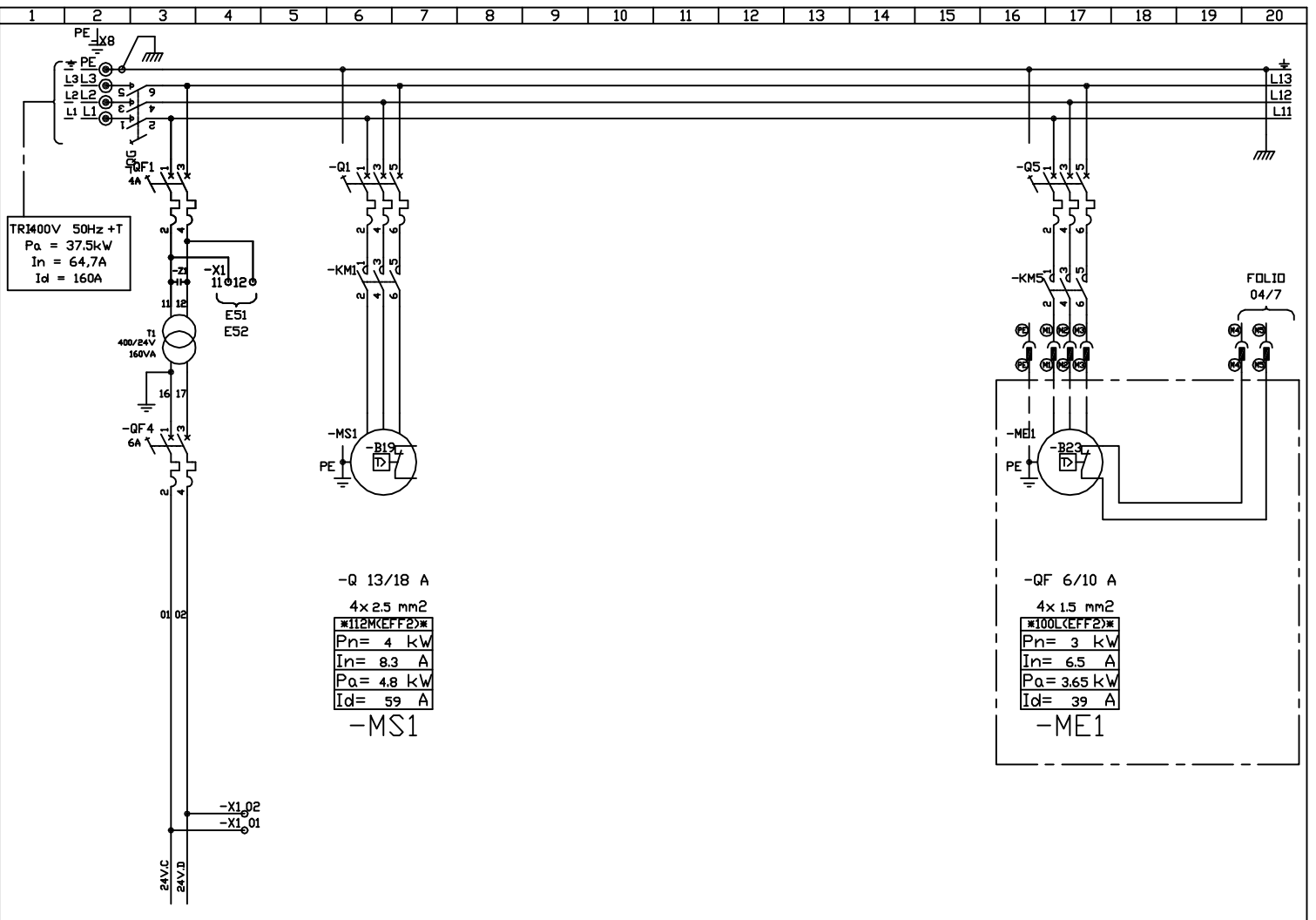
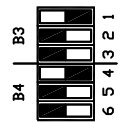
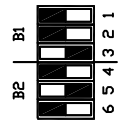
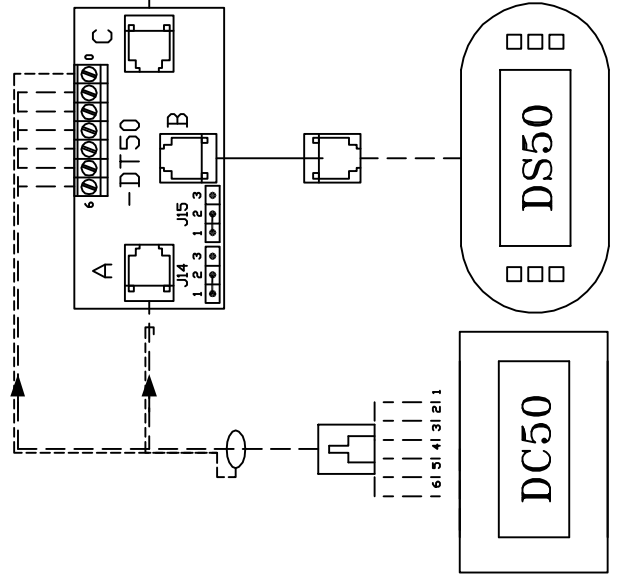
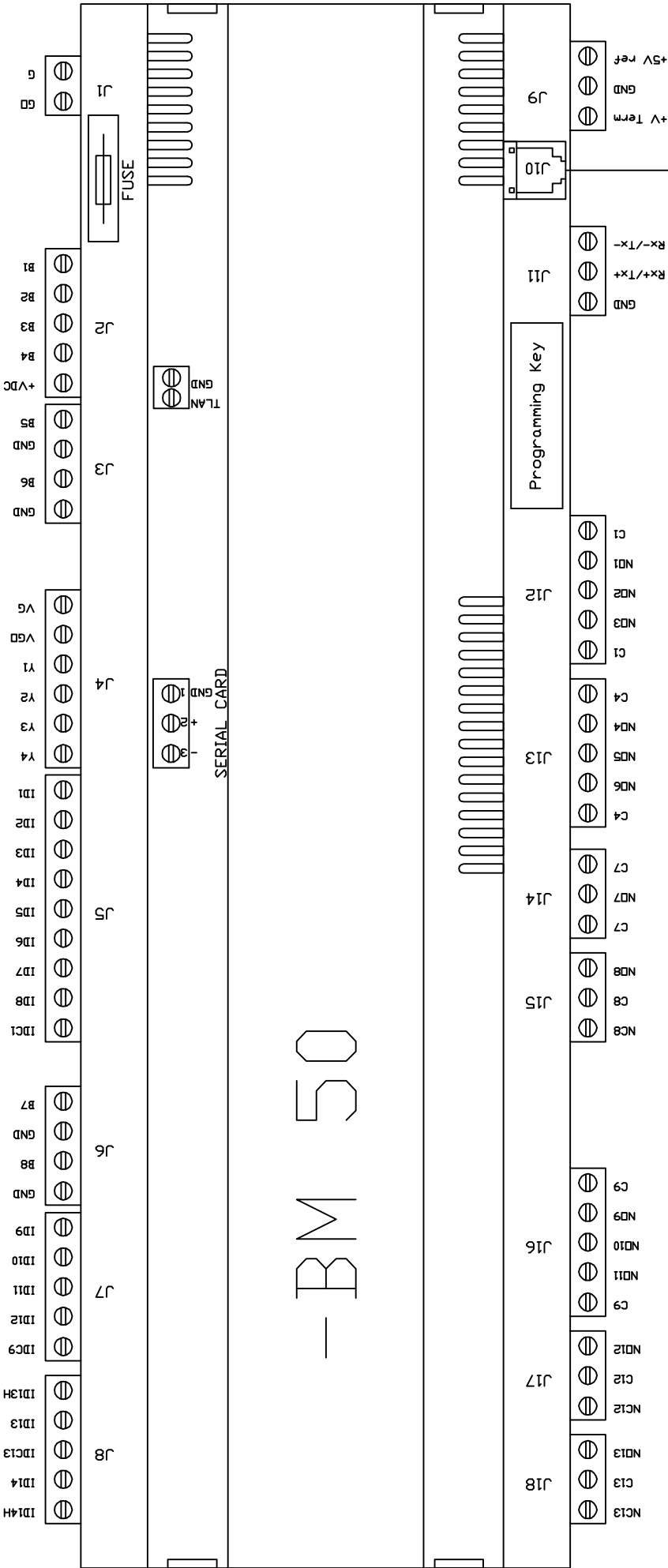


Indice	DATE	NOM	MODIFICATIONS
LENNOX®			
<i>NightClub - Berwick</i>			
(1) BHK 070 ND LENNOX UK	Dessine: T/Y Date: 15.10.04	PAGE DE GARDE	238851 0/11



- BM 50



Input	1	2	3
0/1V	OFF	OFF	OFF
NTC	ON	OFF	OFF
0/20mA	OFF	ON	OFF
0/5V	OFF	OFF	ON

Input	digital input	NTC
ON	OFF	OFF

Switch diagram for Input B1-B2-B3-B4. The diagram shows four switches labeled B1, B2, B3, and B4. Each switch has two positions: OFF and ON. The positions are labeled 6, 5, 4, 3, 2, 1.

Input	1	2	3
0/1V	OFF	OFF	OFF
NTC	ON	OFF	OFF
0/20mA	OFF	ON	OFF
0/5V	OFF	OFF	ON

Input	digital input	NTC
ON	OFF	OFF

AVEC TCB SANS CARTE EXTENSION
WITHOUT EXTENSIONBOARD BE50

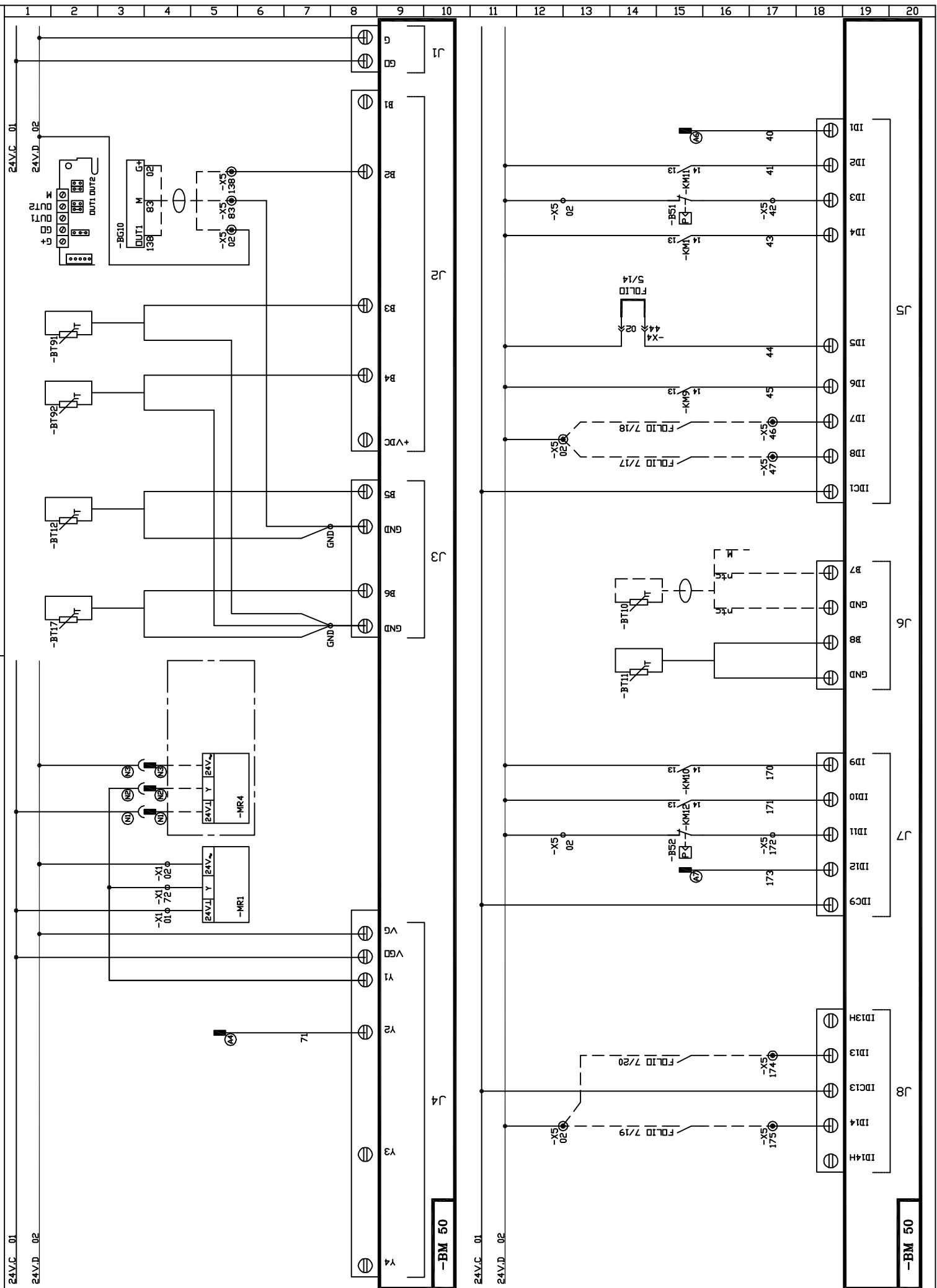
(1) BHK 070 ND
Automate CLIMATIC 50
Climatic 50 Controller

Dessine: T/Y
Date: 15.10.04

LENNOX
USINE DE LONGVIC

238851

2/11



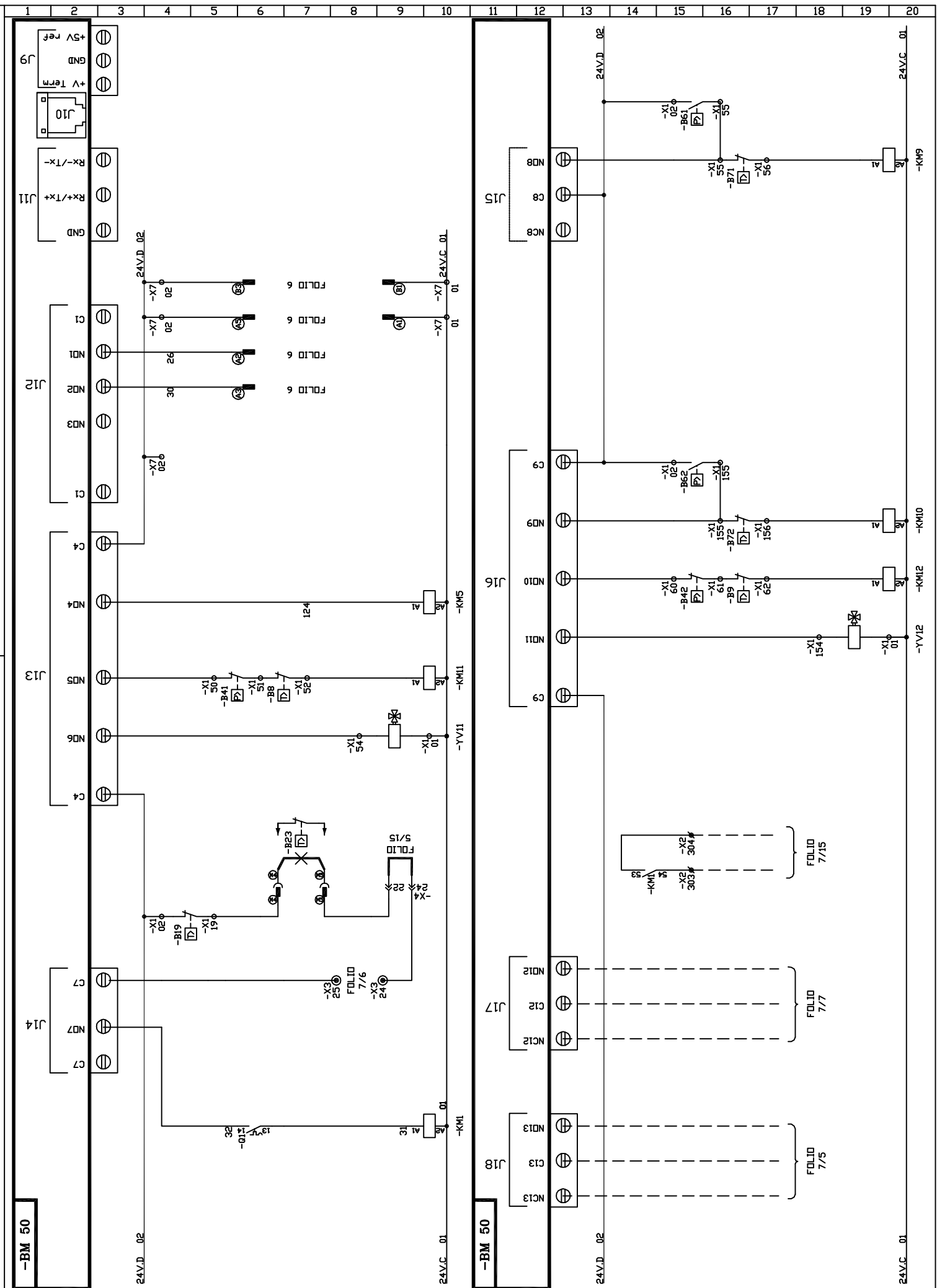
Indice	DATE	NOM	MODIFICATIONS

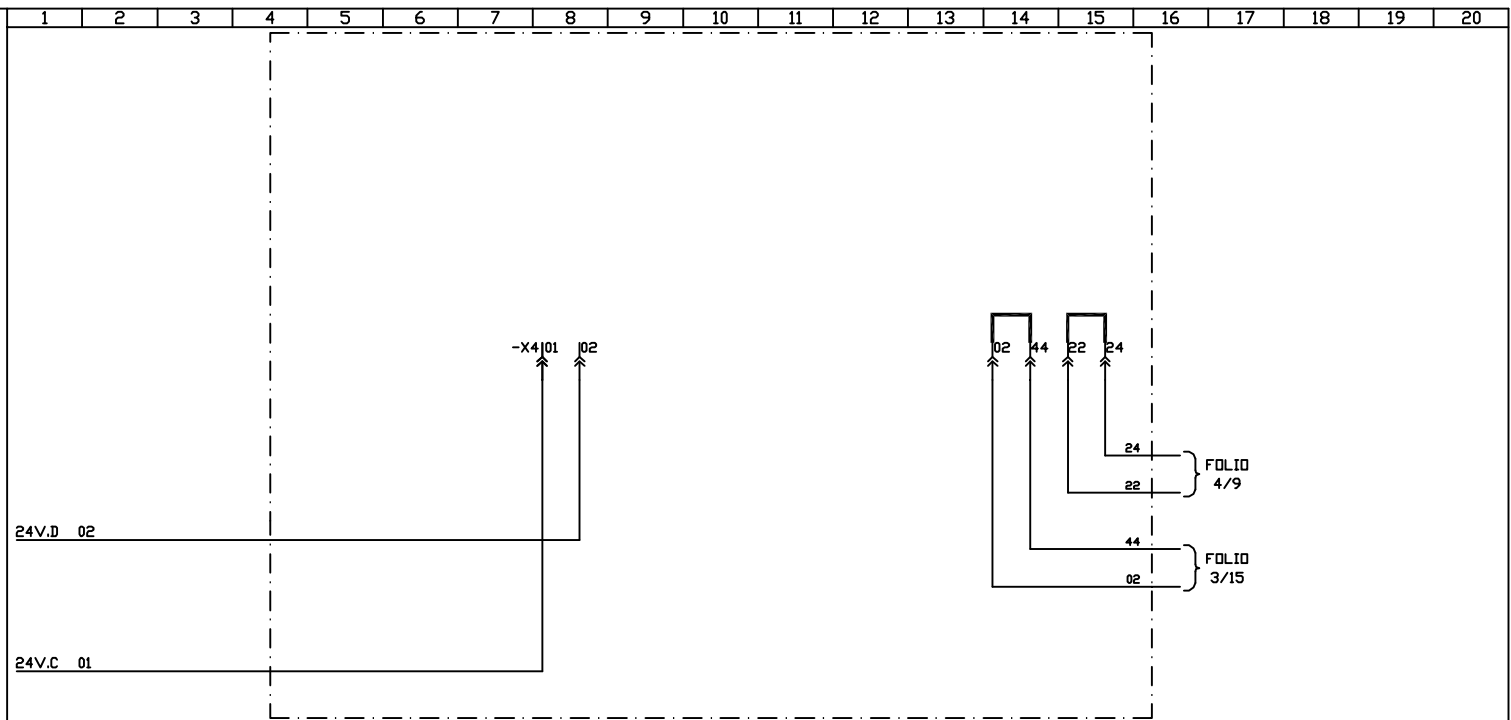
(1) BHK 070 ND
Entrées Automate CLIMATIC 50
Climatic 50 Controller Input

Dessine: T/Y
Date: 15.10.04




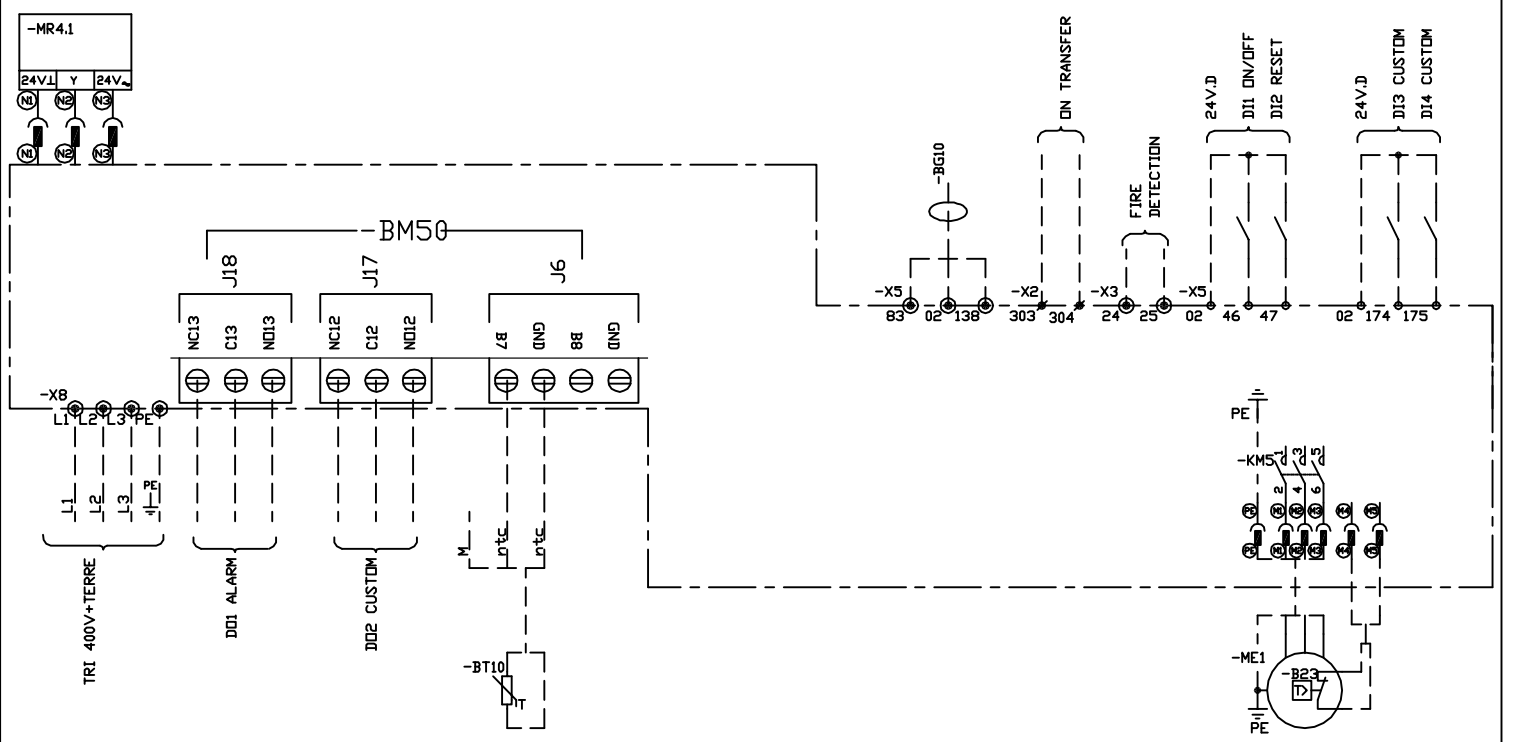
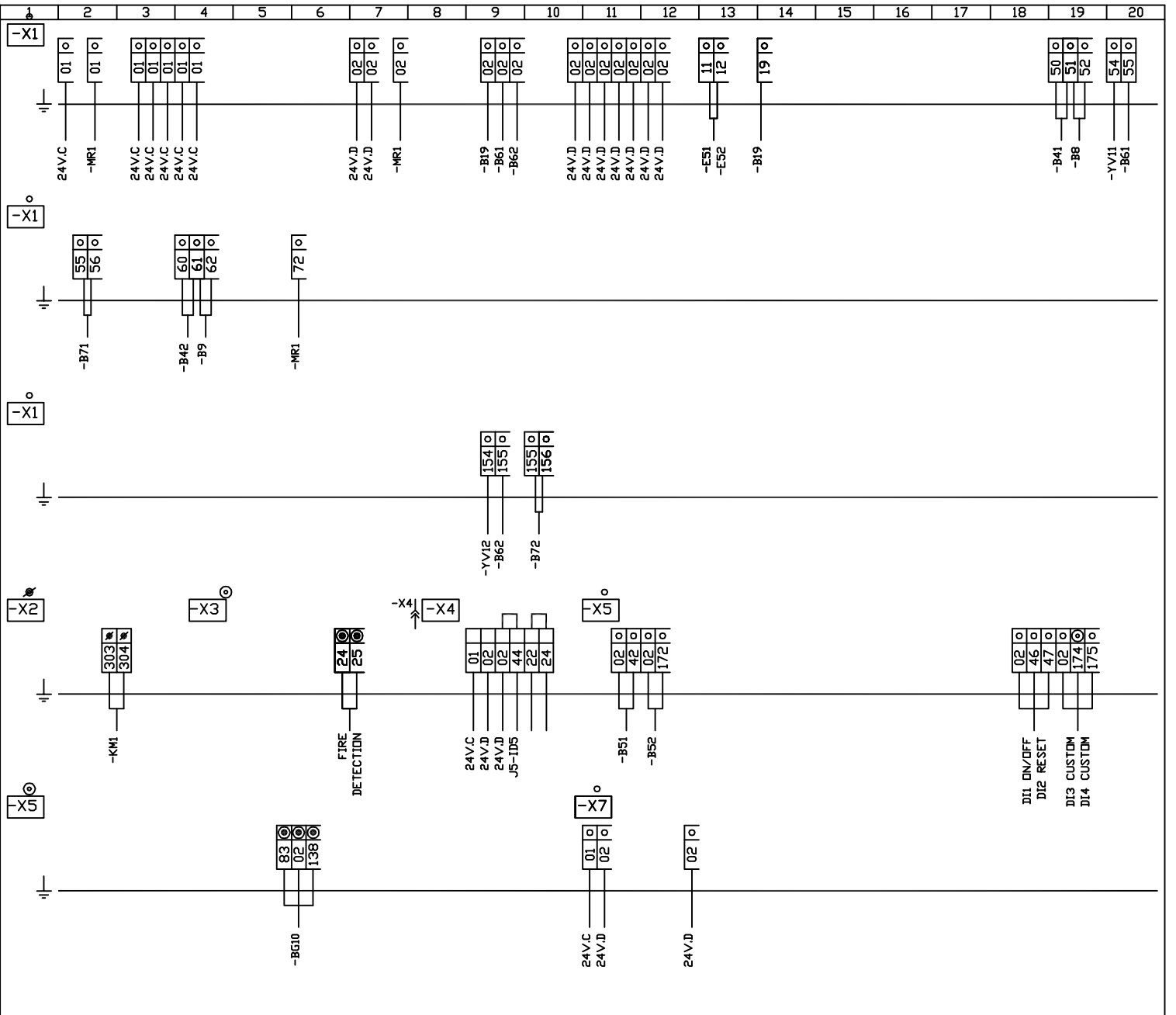
238851 3/11

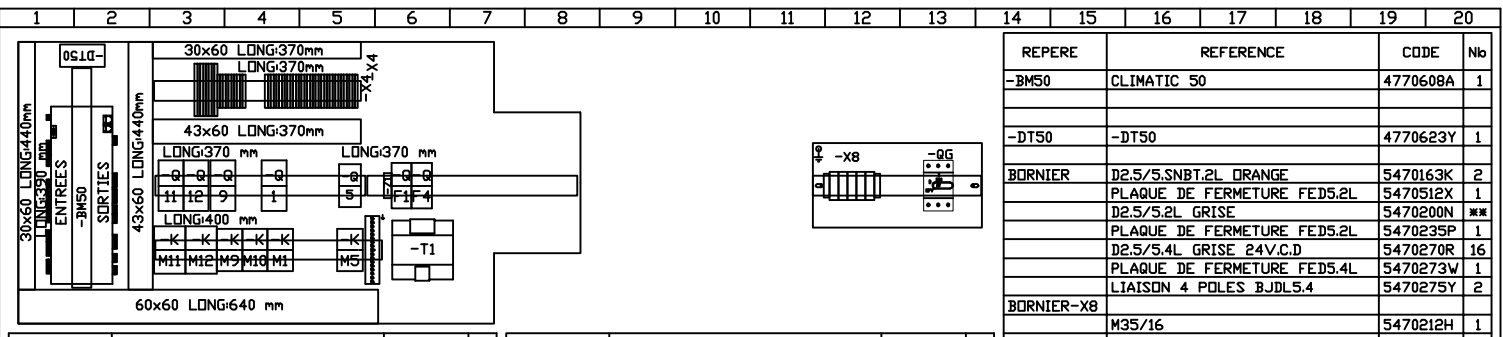






					(1) BHK 070 ND Kit chauffage GAS	Dessine: T/Y		<table border="1"> <tr> <td>238851</td> <td>6</td> </tr> <tr> <td></td> <td>11</td> </tr> </table>	238851	6		11
238851	6											
	11											
Indice	DATE	NOM	MODIFICATIONS			15.10.04	USINE DE LONGVIC					

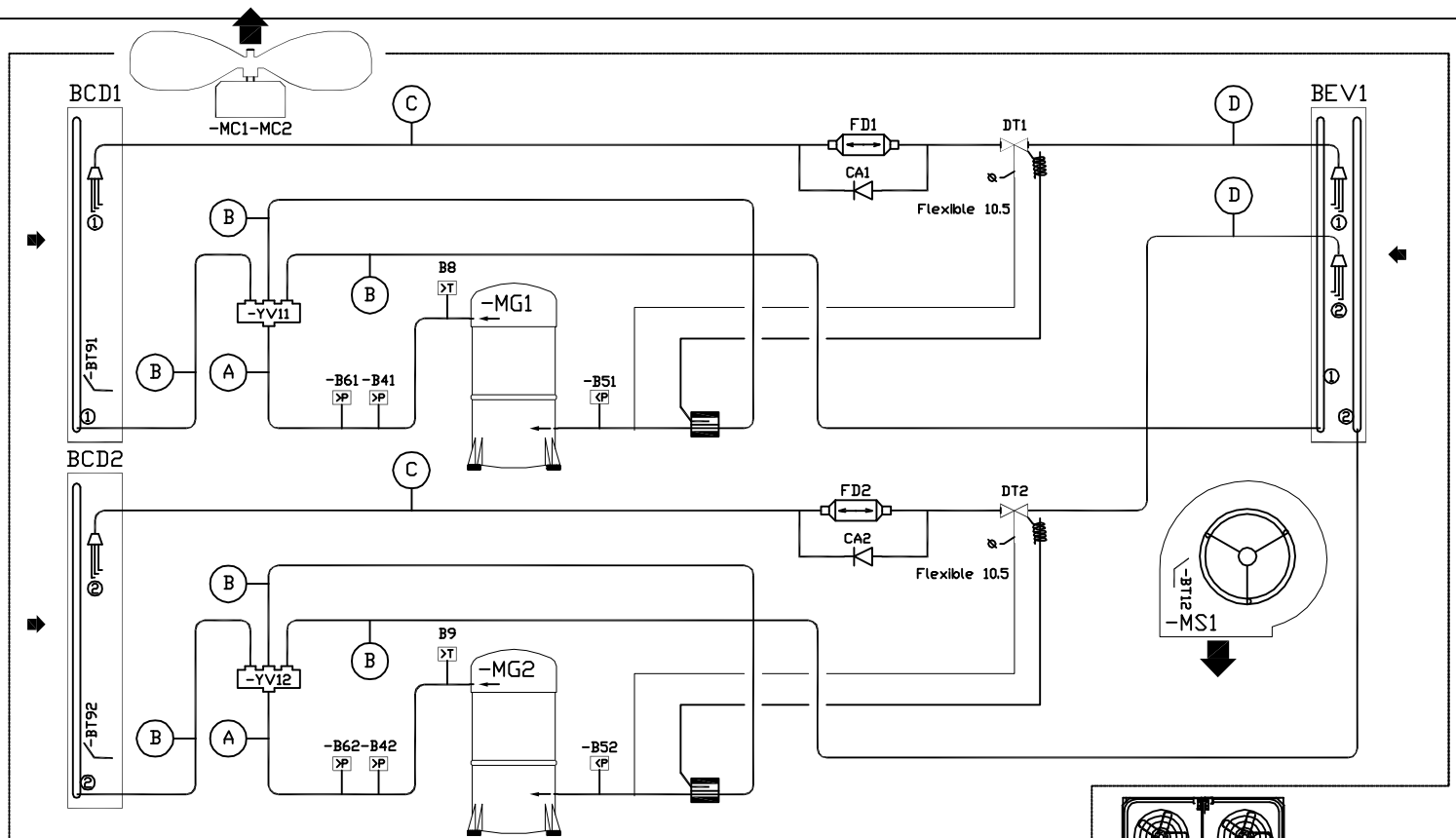




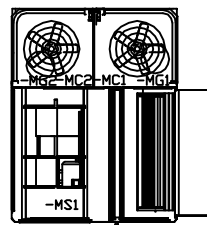
REPERE	REFERENCE	CODE	Nb
-QG	INTER DT 80 E3	4480658F	1
-QG	POIGNEE DE MANOEUVRE DHY2AJ	4480661L	1
-QG	ARBRE DE MANOEUVRE DXS 5x330	4480660J	1
PRDFIL	OMEGA 35x7.5x1.5 LONG:160mm	5740142E	1
BARRETTE	TYPE MG 14979	5470186T	1
-QF1	C60N 24583 4A BIPOL COURBE D	4480591H	1
-QF4	C60N 24584 6A BIPOL COURBE D	4480592J	1
-T1	160VA PRIMAIRE 400V /24V	4430121L	1
-Z1	LRC V2-0.22-220/400V	4770010X	1
-Q5	GV2 M14 6/10 A	4410848T	1
-KM5	LC1 D09 B7	4410650A	1

REPERE	REFERENCE	CODE	Nb
-Q1	GV2 M20 13/18 A	4410850W	1
-Q1	GV2 AE 113	4410891J	1
-KM1	LC1 D12 B7	4410651E	1
-KM1	LA DN403	5410092V	1

REPERE	REFERENCE	CODE	Nb
-BMS0	CLIMATIC 50	4770608A	1
-DT50	-DT50	4770623Y	1
BORNIER	D2.5/5.SNBT.2L DRANGE	5470163K	2
	PLAQUE DE FERMETURE FED5.2L	5470512X	1
	D2.5/5.2L GRISE	5470200N	**
	PLAQUE DE FERMETURE FED5.2L	5470235P	1
	D2.5/5.4L GRISE 24V.C.D	5470270R	16
	PLAQUE DE FERMETURE FED5.4L	5470273V	1
	LIAISON 4 POLES BJDLS.4	5470275Y	2
BORNIER-X8			
	M35/16	5470212H	1
	M35/16	5470204V	3
	PLAQUE DE FERMETURE	5470237T	1
BUTEE	103 002 26	5470240X	2
-Q11-Q12	GV2 M22 20/25 A	4410852Y	2
-KM11-KM12	LC1 D18 B7	4410852F	2
-Q9	GV2 M14 6/10A	4410848T	1
-KM9	LC1 D09 B7	4410650A	1
-KM10	LC1 D09 B7	4410650A	1



B0X	30/35	40	-MG1	45	-MG2	50	60	70
D	5/8"	5/8"	5/8"	7/8"	7/8"	7/8"	7/8"	7/8"
C	1/2"	1/2"	1/2"	5/8"	5/8"	5/8"	5/8"	5/8"
B	7/8"	1 1/8"	1 1/8"	1 1/8"	1 1/8"	1 1/8"	1 1/8"	1 3/8"
A	5/8"	7/8"	7/8"	7/8"	7/8"	7/8"	7/8"	7/8"



Indice	DATE	NOM	MODIFICATIONS

(1) BHK 070 ND
 Schéma Frigorifique \ Hydraulique
 Cooling \ Hydraulic Diagram

Dessine: T/Y
 Date: 15.10.04

LENNOX
 USINE DE LONGVIC

238851 9/11

