
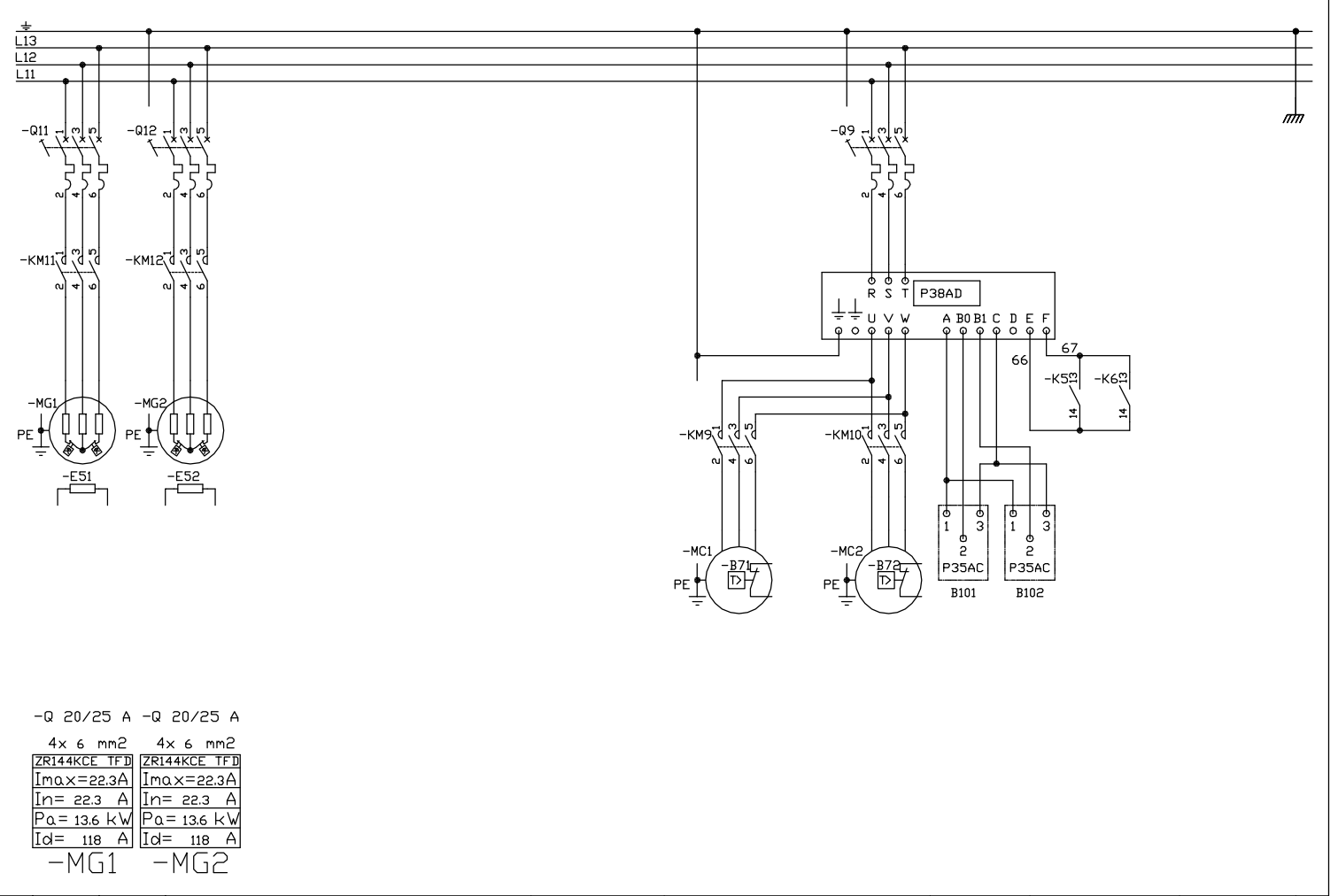
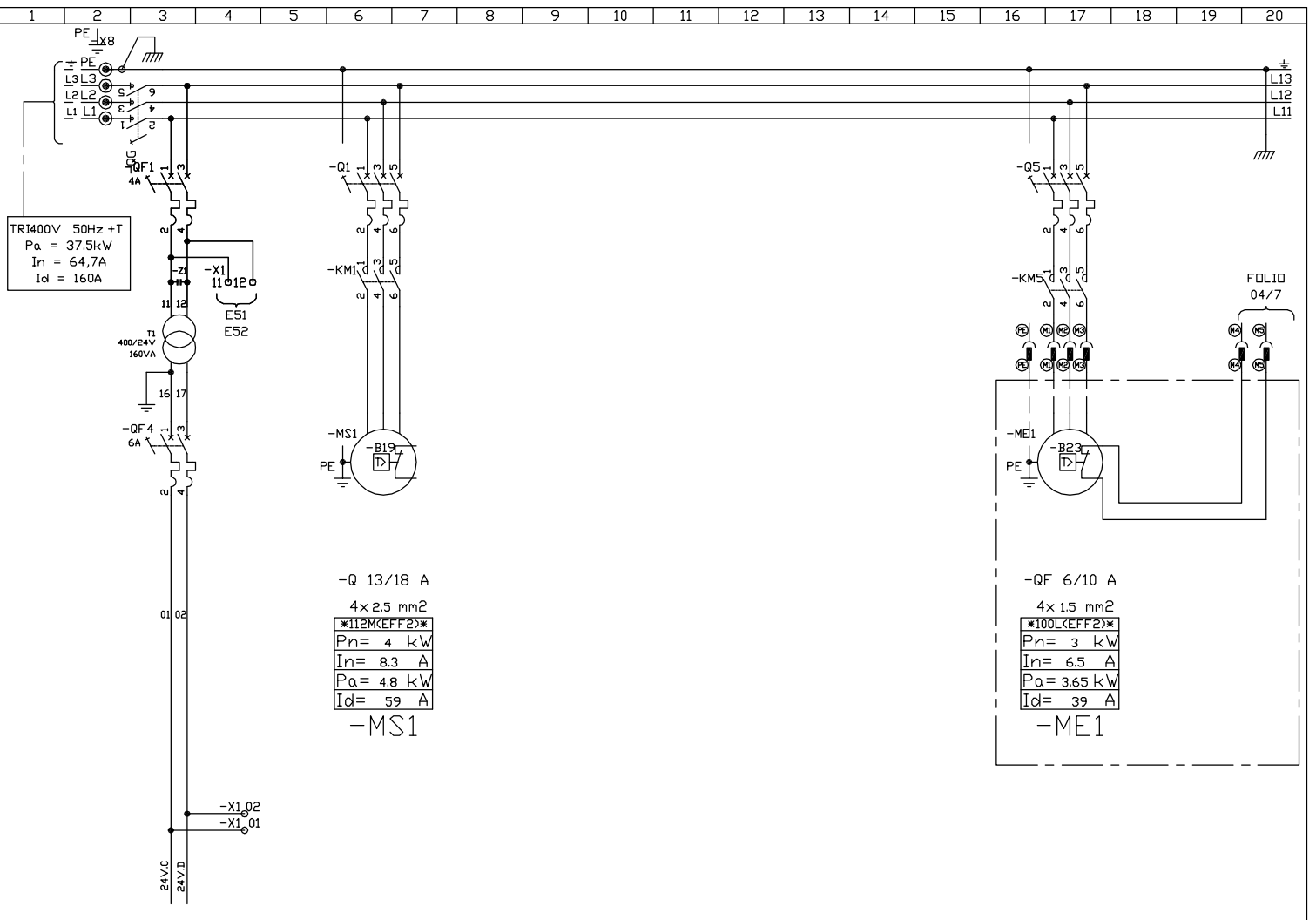
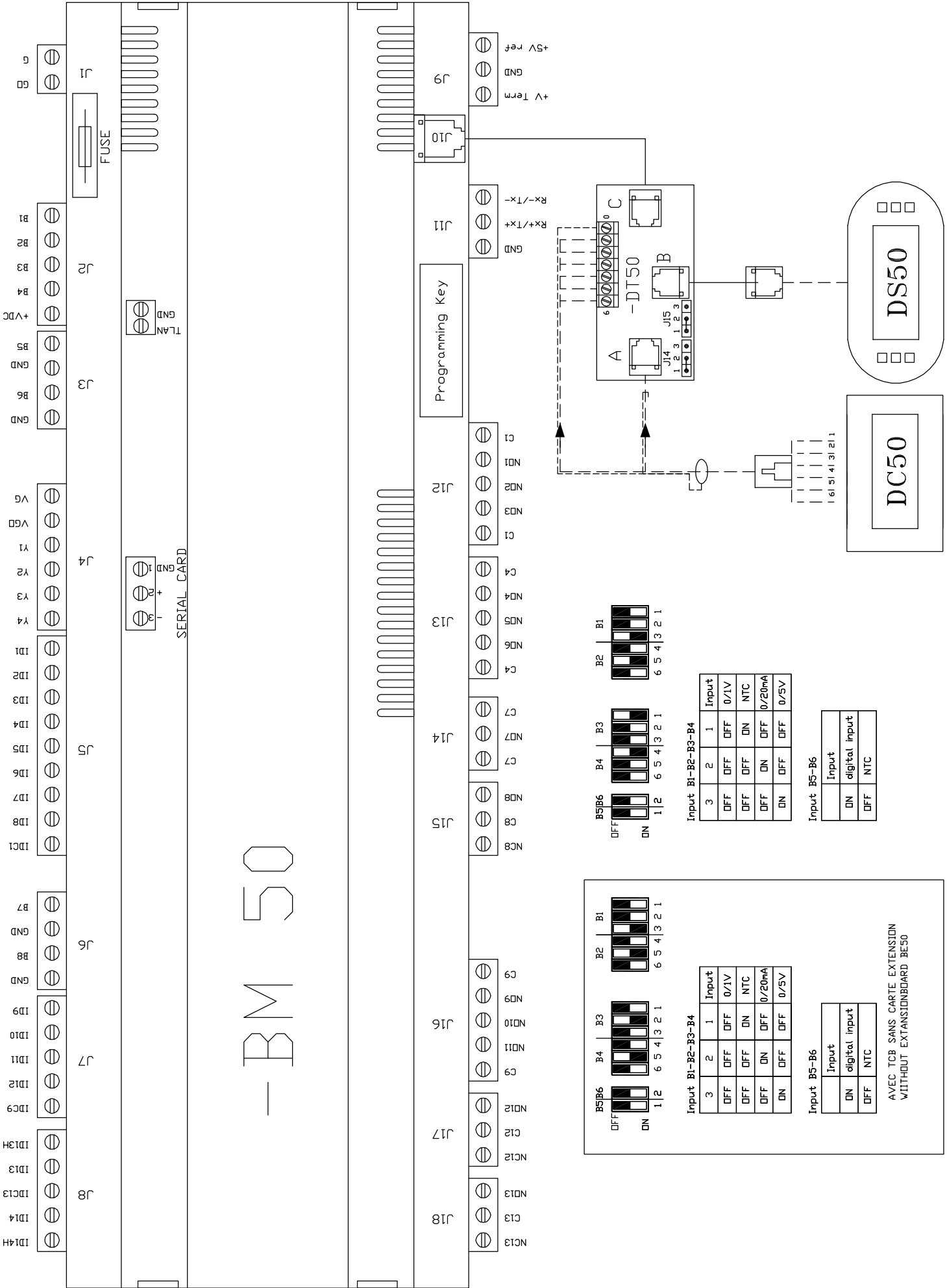


A	22.05.07	TY	FOLIOS 1 4 8 9				
Indice	DATE	NOM	MODIFICATIONS				
							
<i>NightClub - Berwick</i>							
(1) BHK 070 ND <b>LENNOX UK</b>		Dessine: T/Y Date: 15.10.04	PAGE DE GARDE <table border="1" style="float: right;"> <tr> <td>238851</td> <td>0 / 11</td> </tr> <tr> <td>_____</td> <td>_____</td> </tr> </table>	238851	0 / 11	_____	_____
238851	0 / 11						
_____	_____						



# - BM 50



Input BI-B2-B3-B4

Input	1	2	3
0/1V	OFF	OFF	OFF
NTC	DN	OFF	OFF
0/20mA	OFF	DN	OFF
0/5V	OFF	OFF	DN

Input BS-B6

Input
digital input
NTC

Input BI-B2-B3-B4

Input	1	2	3
0/1V	OFF	OFF	OFF
NTC	DN	OFF	OFF
0/20mA	OFF	DN	OFF
0/5V	OFF	OFF	DN

Input BS-B6

Input
digital input
NTC

AVEC TCB SANS CARTE EXTENSION  
WITHOUT EXTENSIONBOARD BE50

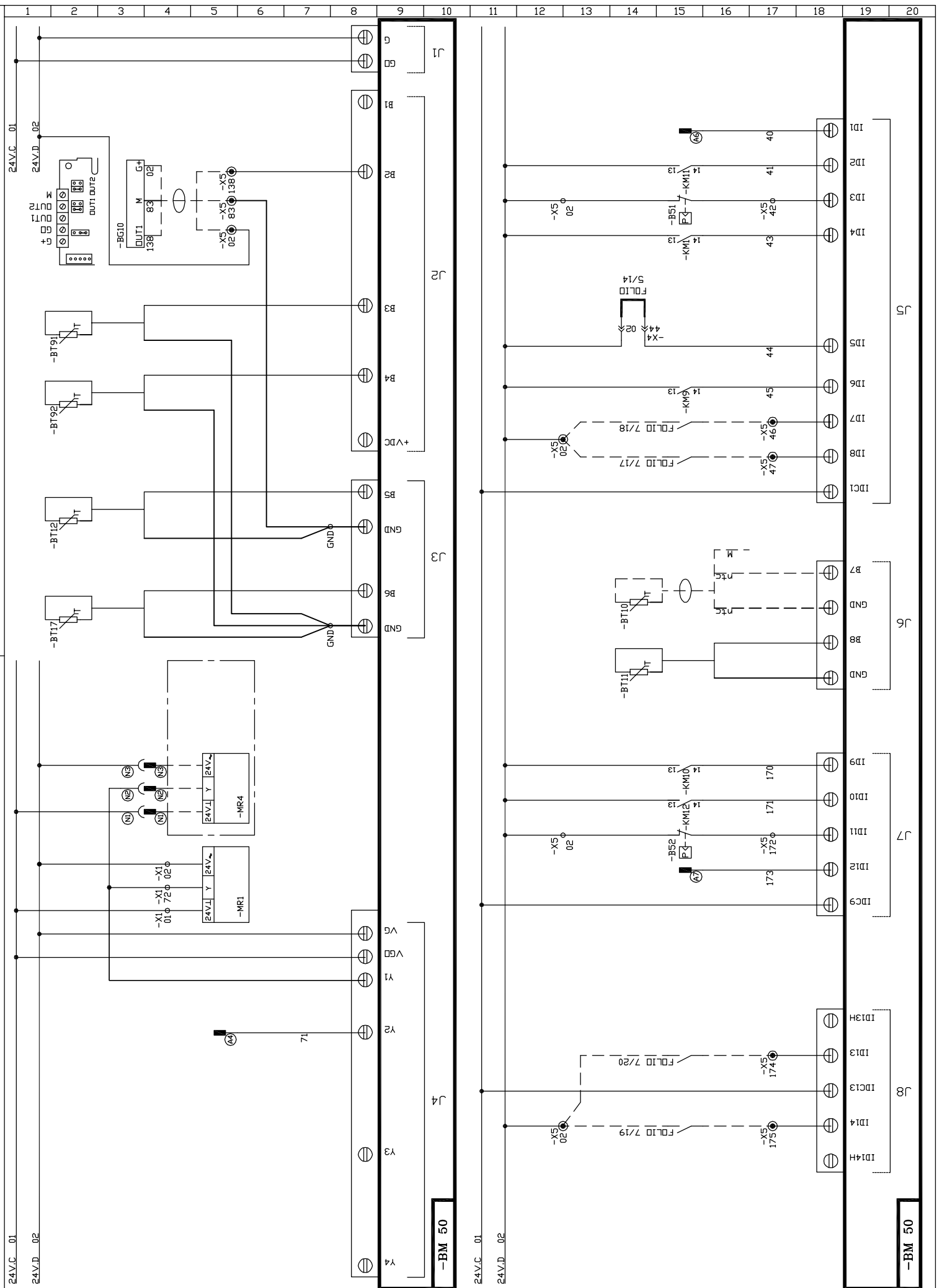
(1) BHK 070 ND  
Automate CLIMATIC 50  
Climatic 50 Controller

Dessine: T/Y  
Date: 15.10.04

**LENNOX**  
USINE DE LONGVIC

238851 2/11

Indice	DATE	NOM	MODIFICATIONS



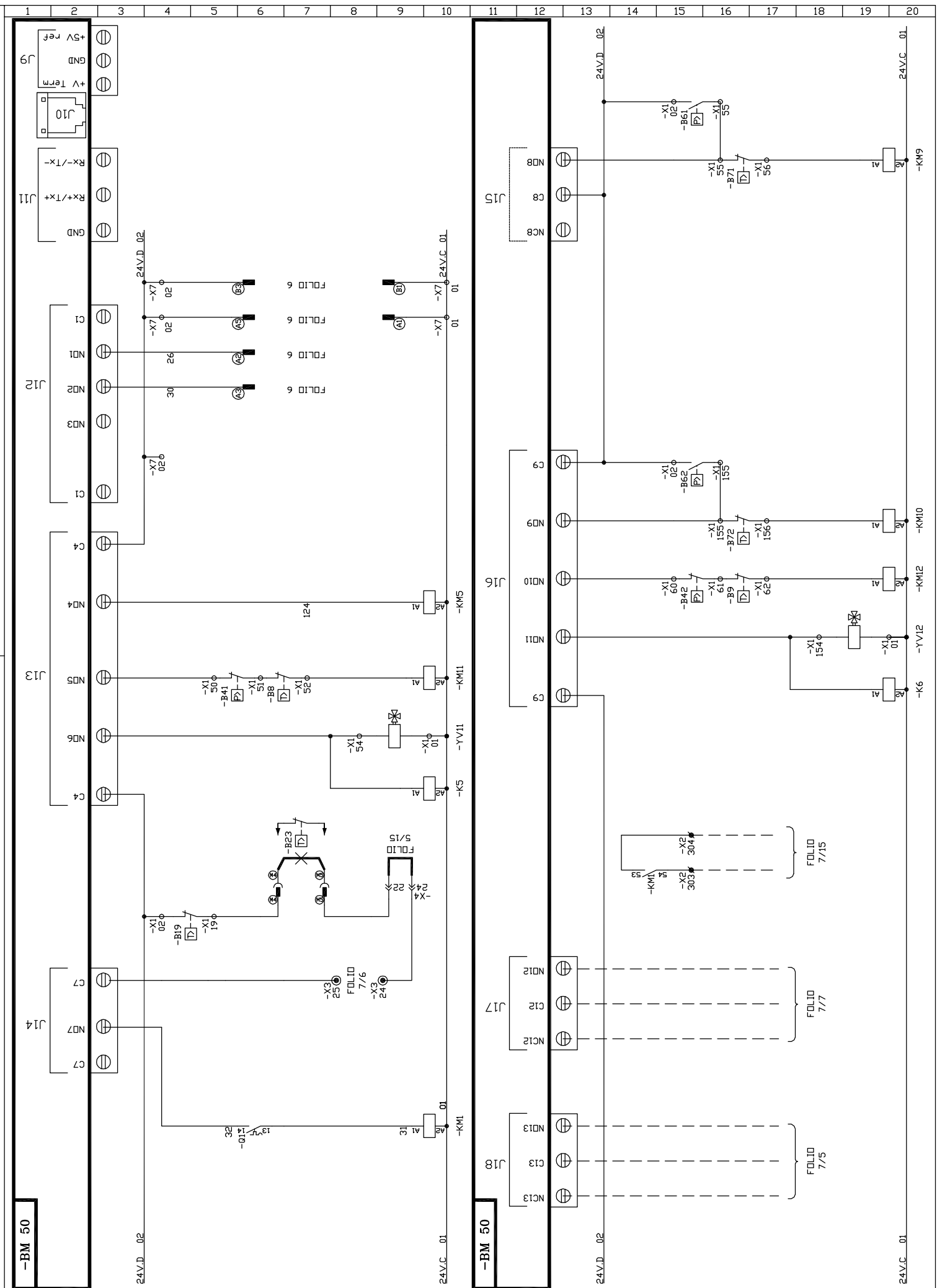
Indice	DATE	NOM	MODIFICATIONS

(1) BHK 070 ND  
Entrées Automate CLIMATIC 50  
Climatic 50 Controller Input

Dessine: T/Y  
Date: 15.10.04



238851 3/11



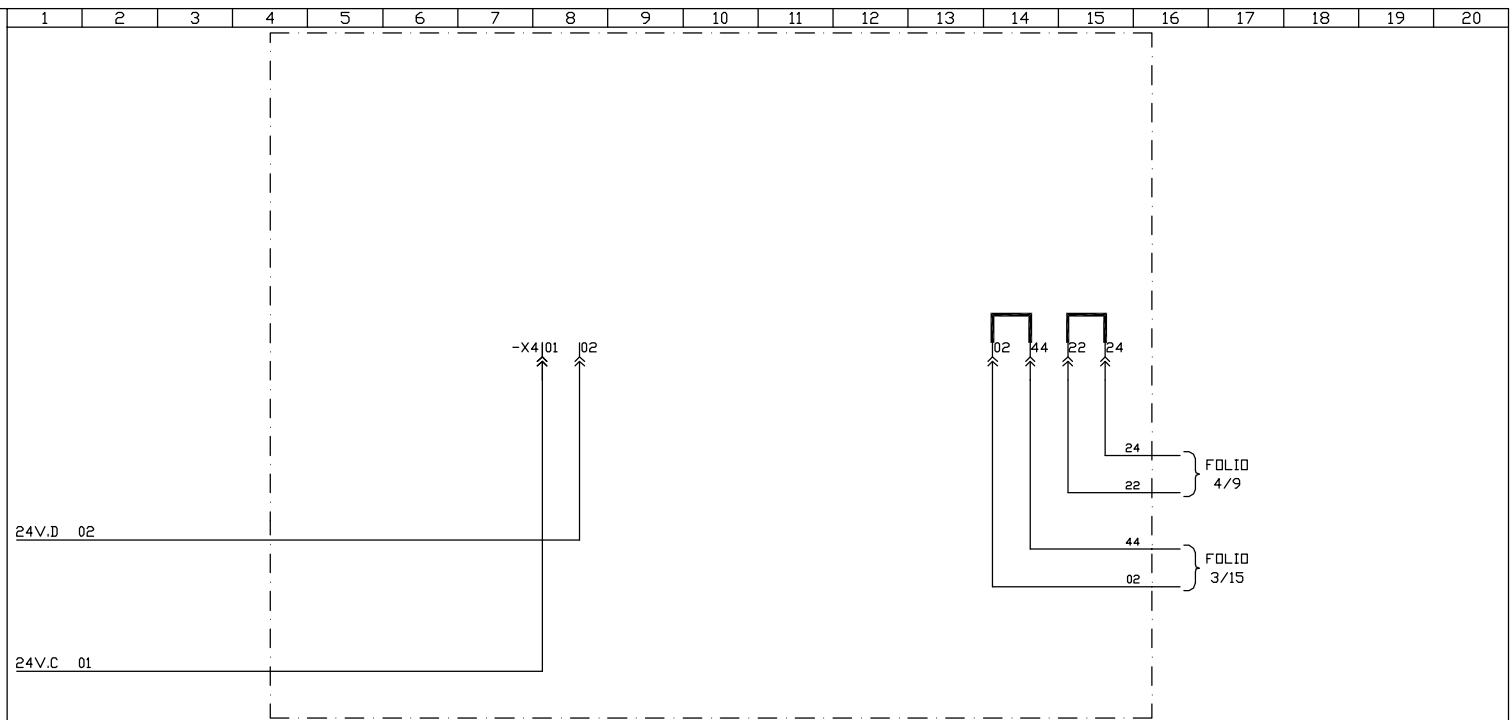
-BM 50		24V.D 02		24V.C 01	
A	22.05.07	TY	+ -K5 -K6		
Indice	DATE	NOM	MODIFICATIONS		

(1) BHK 070 ND  
Sorties Automate CLIMATIC 50  
Climatic 50 Controller Outputs

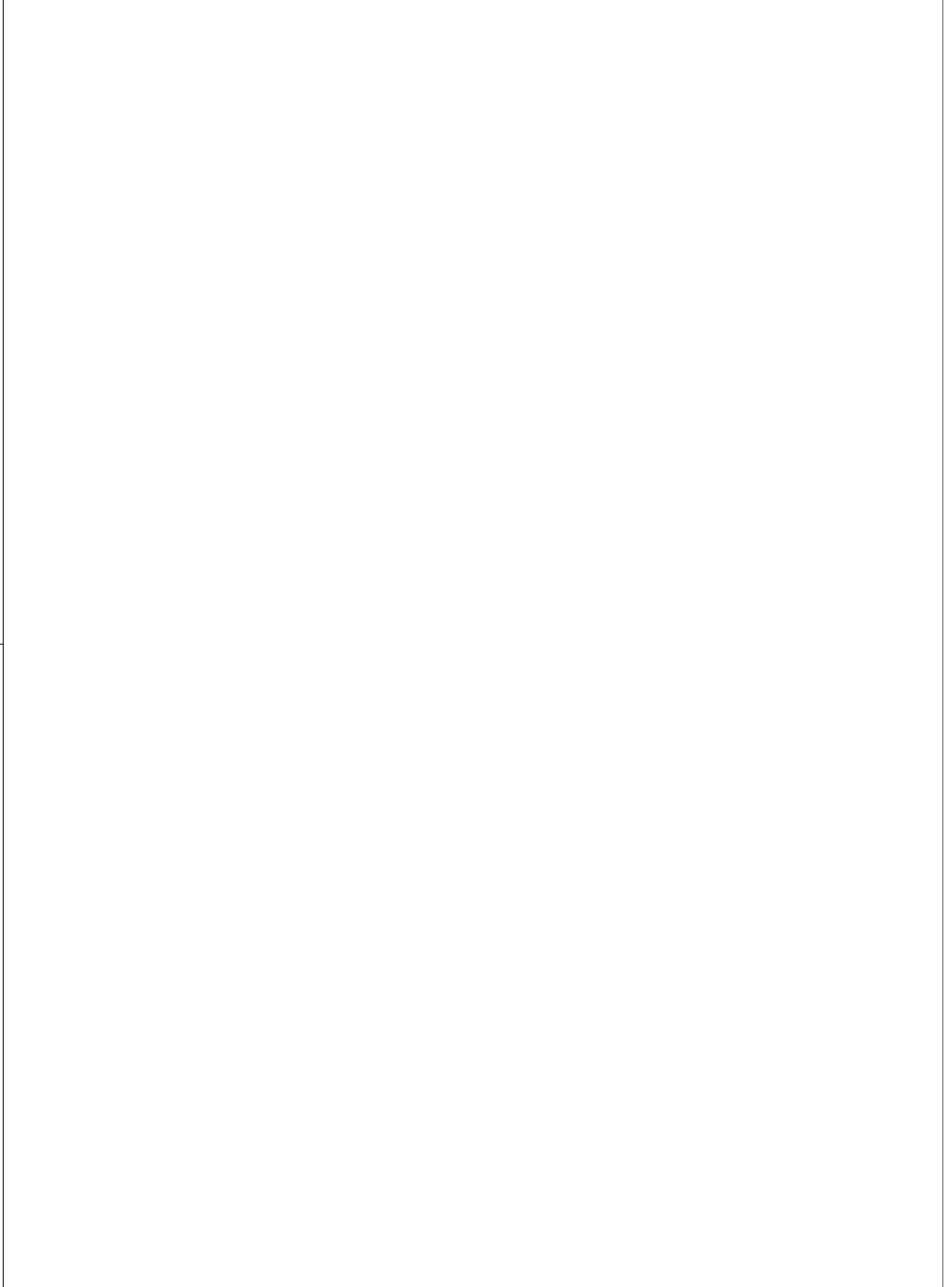
Dessine: T/Y  
Date: 15.10.04




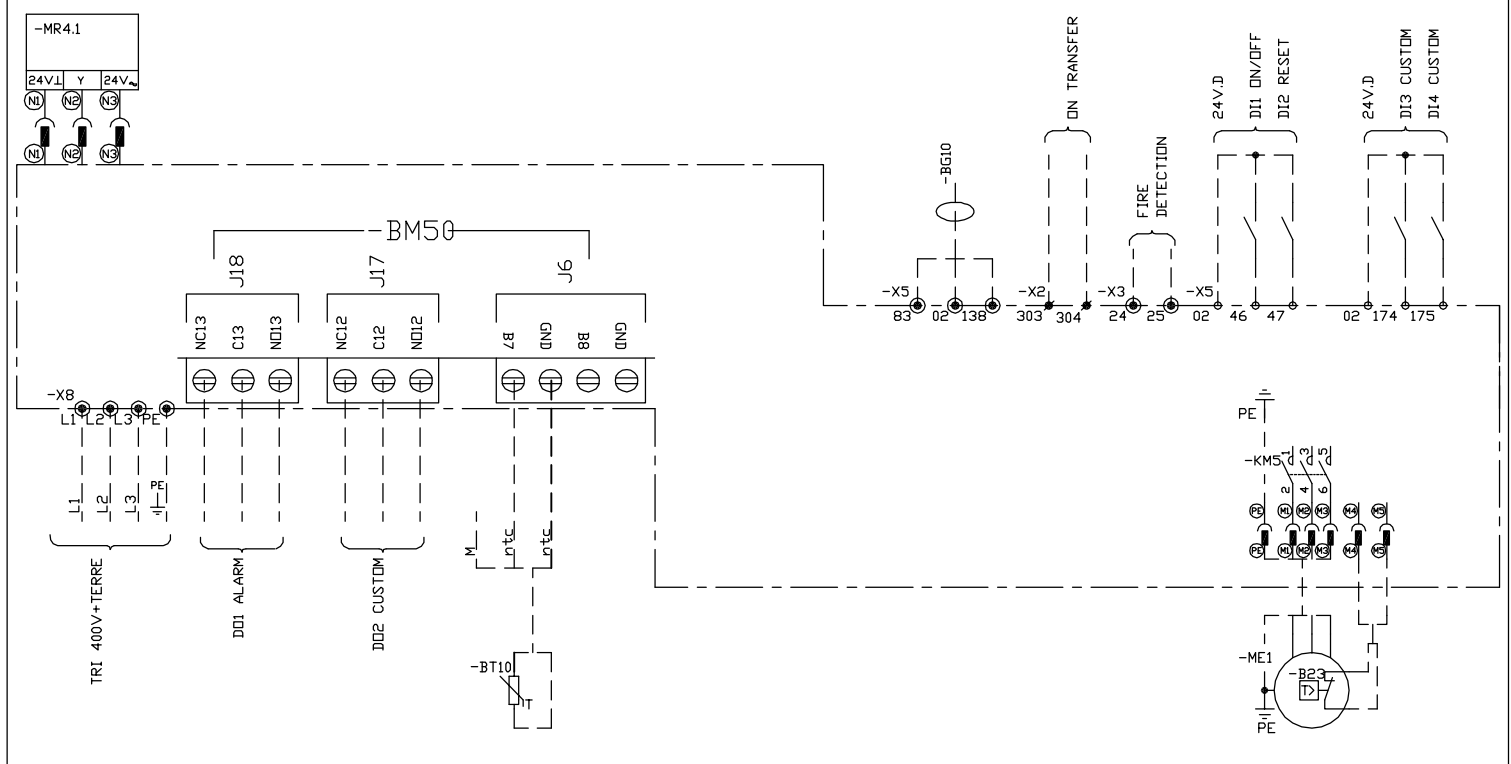
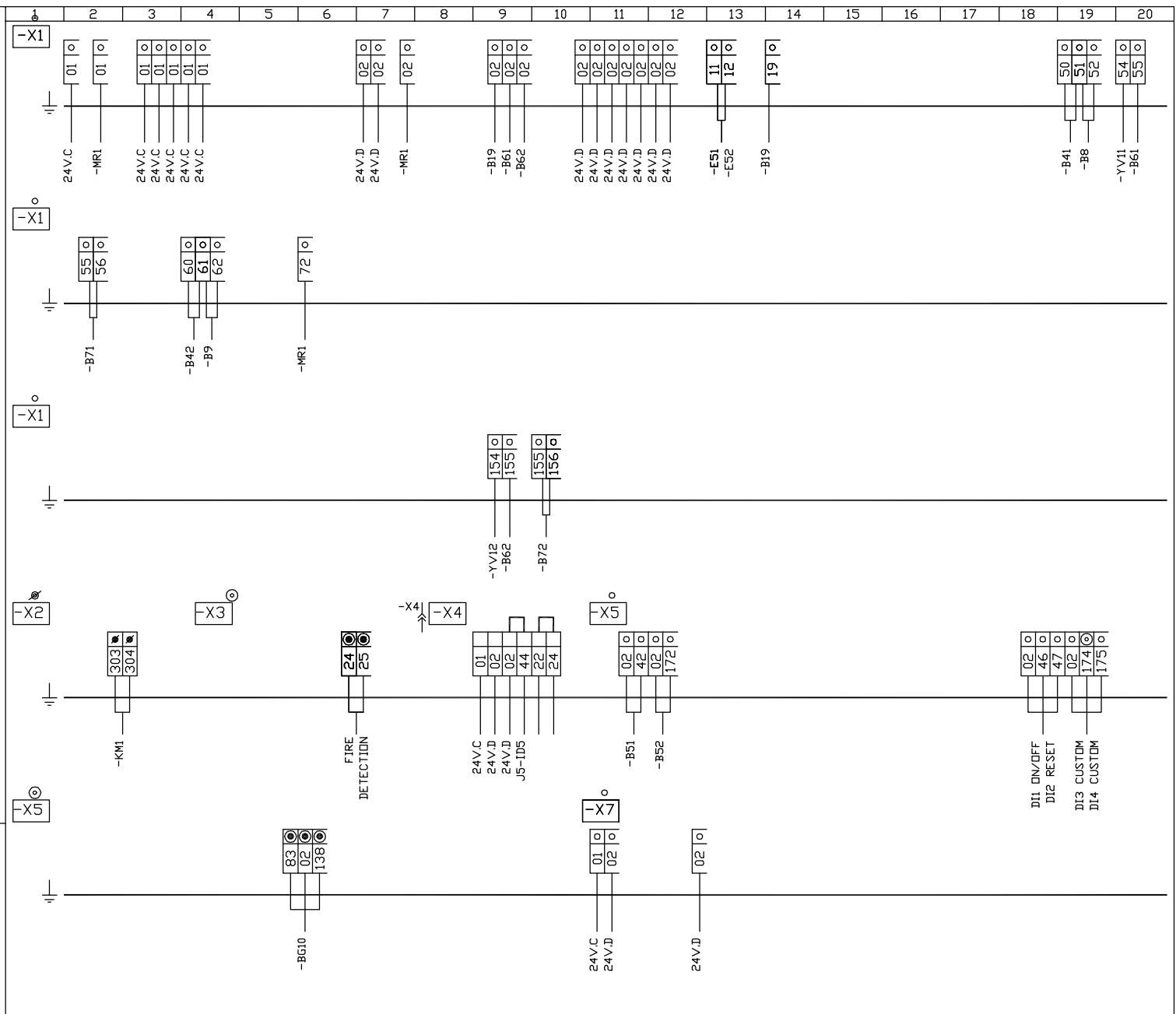
238851 4/11



					(1) BHK 070 ND DAD \ BE50 DAD \ BE50	Dessine: T/Y Date: 15.10.04	<b>LENNOX</b> USINE DE LONGVIC	238851	5 / 11
Indice	DATE	NOM	MODIFICATIONS						

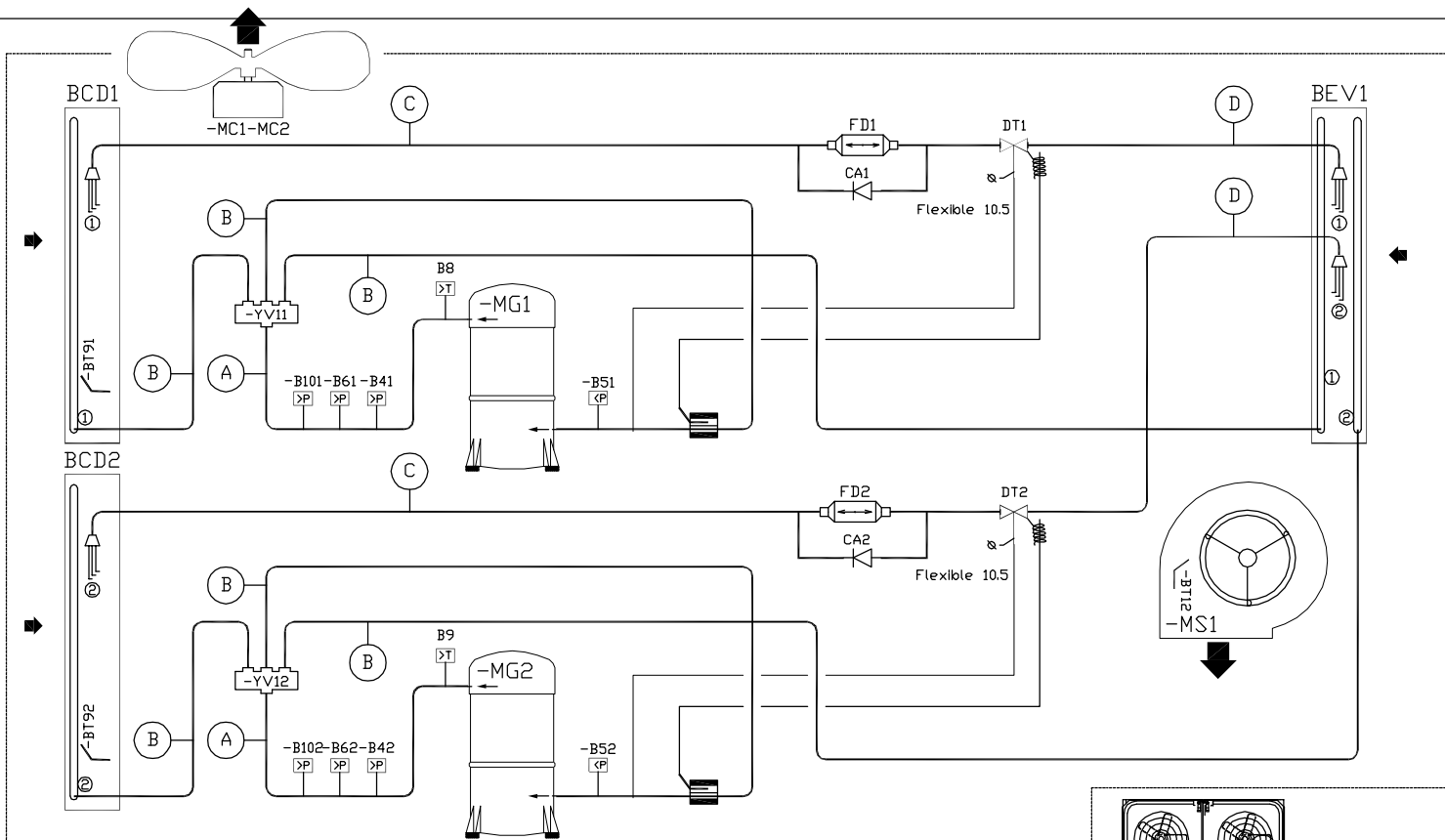


					(1) BHK 070 ND Kit chauffage GAS	Dessine: T/Y		<table border="1"> <tr> <td>238851</td> <td>6</td> </tr> <tr> <td></td> <td>11</td> </tr> </table>	238851	6		11
238851	6											
	11											
Indice	DATE	NOM	MODIFICATIONS			Date: 15.10.04	USINE DE LONGVIC					

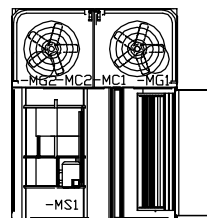








BDX	30/35	40	-MG1	45	-MG2	50	60	70
D	5/8"	5/8"	5/8"	7/8"	7/8"	7/8"	7/8"	7/8"
C	1/2"	1/2"	1/2"	5/8"	5/8"	5/8"	5/8"	5/8"
B	7/8"	1 1/8"	1 1/8"	1 1/8"	1 1/8"	1 1/8"	1 1/8"	1 3/8"
A	5/8"	7/8"	7/8"	7/8"	7/8"	7/8"	7/8"	7/8"



Indice	DATE	NOM	MODIFICATIONS
A	22.05.07	TY	+ -B101 -B102

(1) BHK 070 ND  
 Schéma Frigorifique \ Hydraulique  
 Cooling \ Hydraulic Diagram

Dessine: T/Y  
 Date: 15.10.04



238851 9/11  
 USINE DE LONGVIC



