
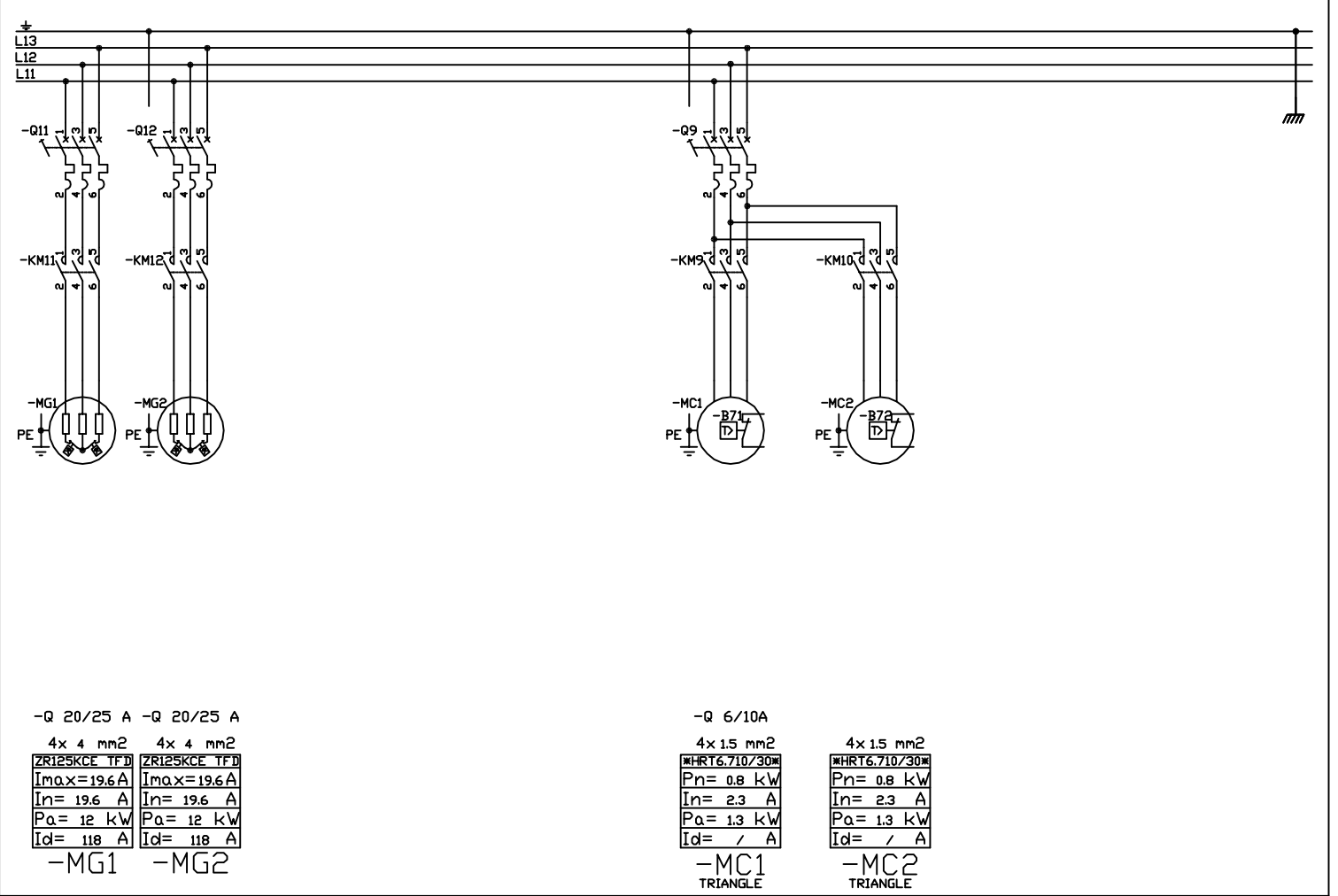
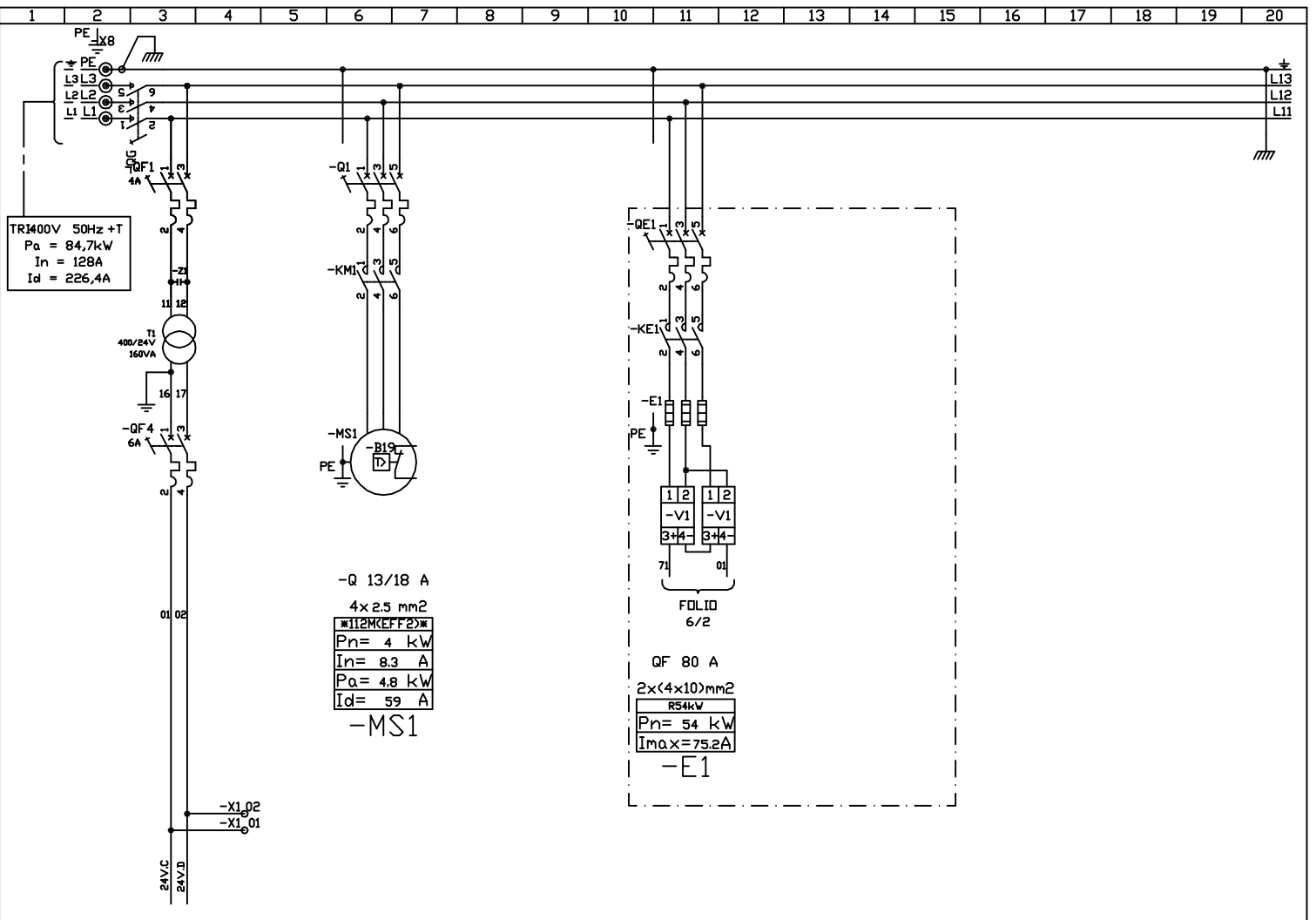
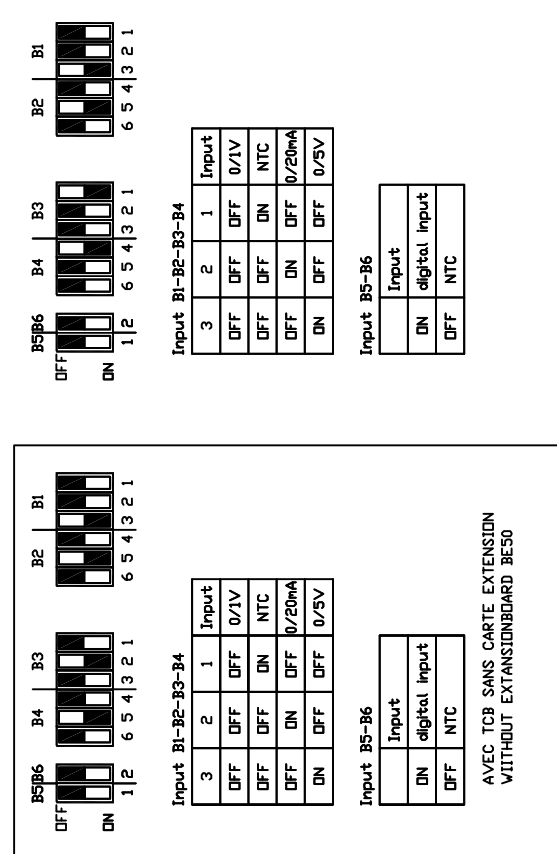
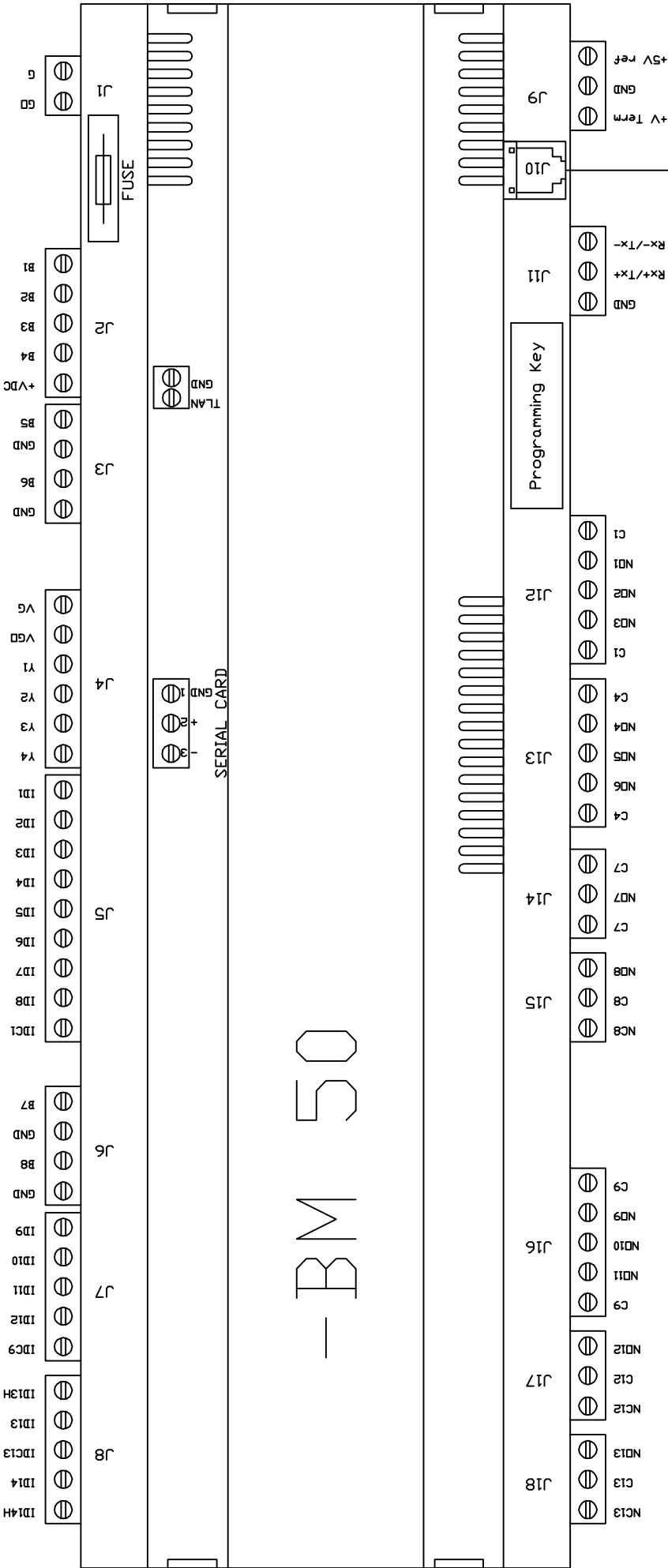
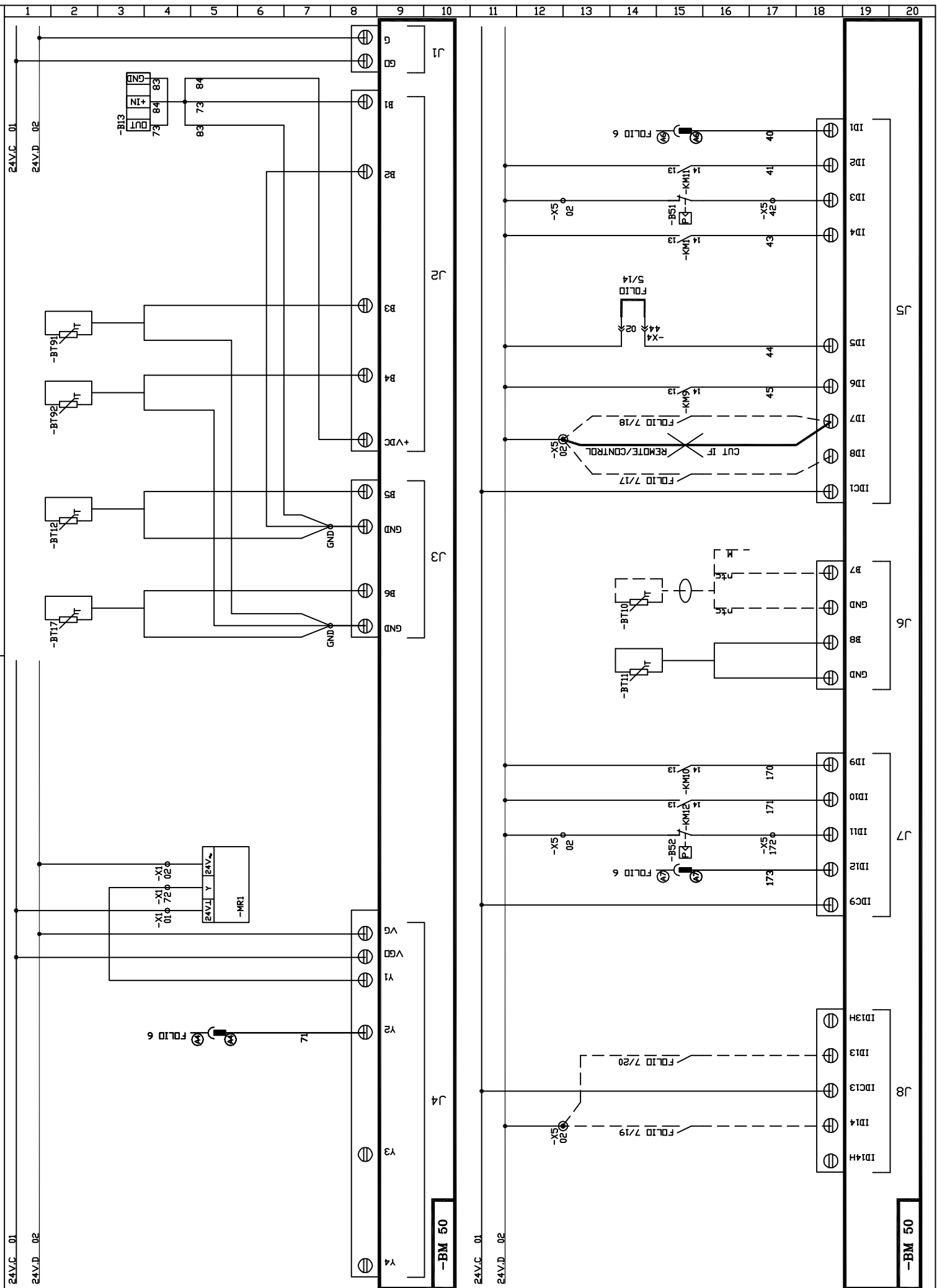


Indice	DATE	NOM	MODIFICATIONS
			
GAUCHO CRILLE			
(1) BHK 060 ND LENNOX UK		Dessine: CTO Date: 01.09.05	PAGE DE GARDE <div style="border: 1px solid black; padding: 2px;">244307</div> <div style="border: 1px solid black; padding: 2px;">0 / 11</div>



- BM 50





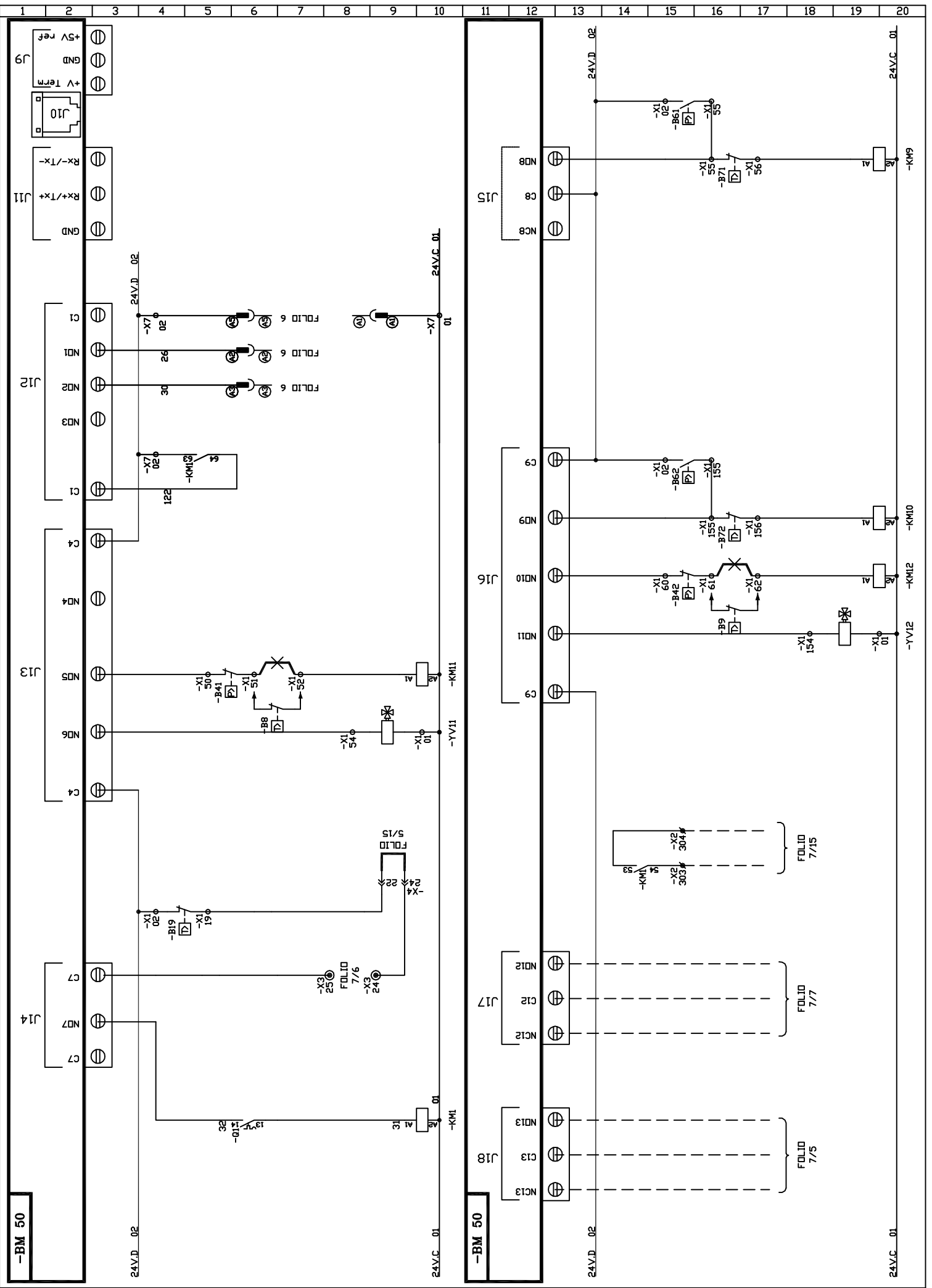
Indice	DATE	NOM	MODIFICATIONS

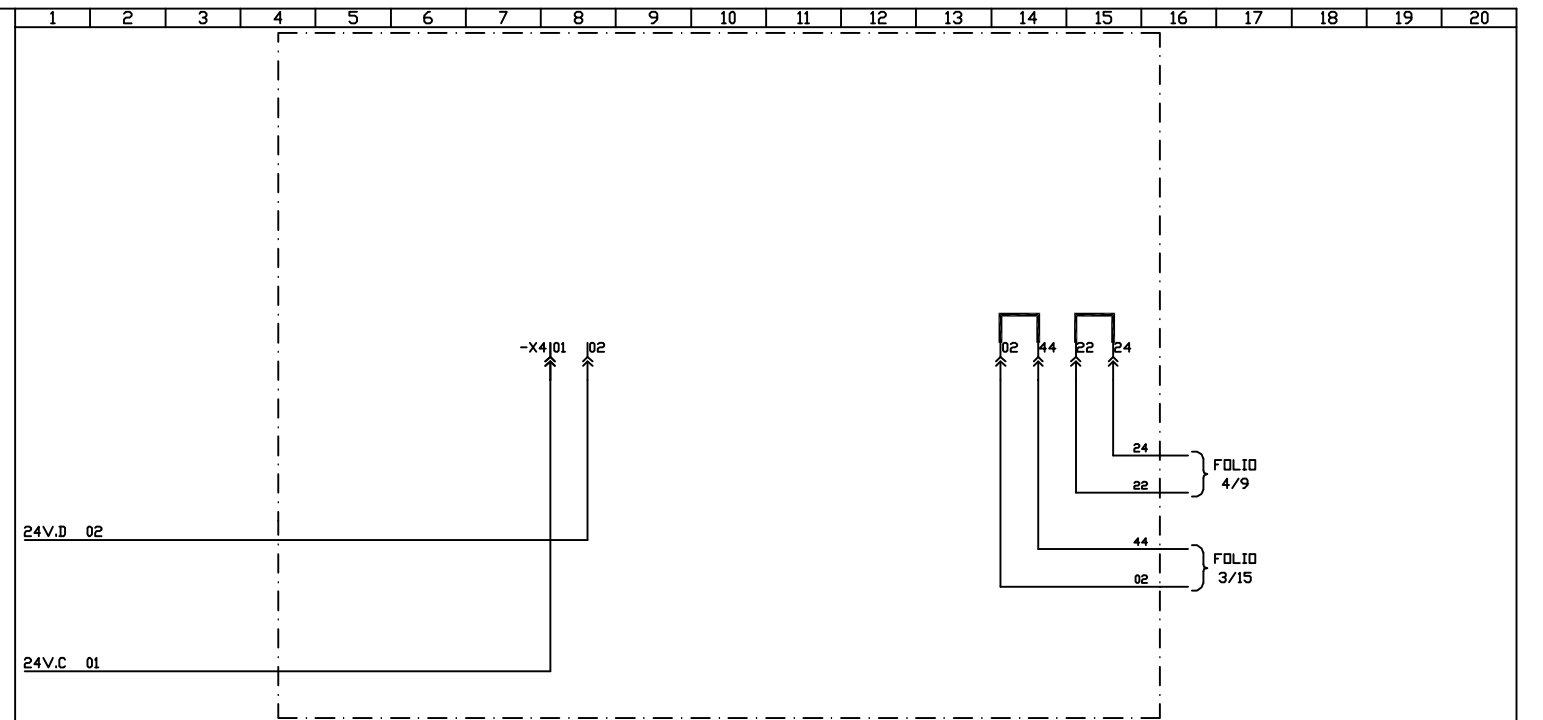
(1) BHK 060 ND
Entrées Automate CLIMATIC 50
Climatic 50 Controller Input

Dessine: CTO
Date: 01.09.05



244307 3/11





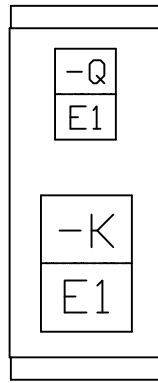
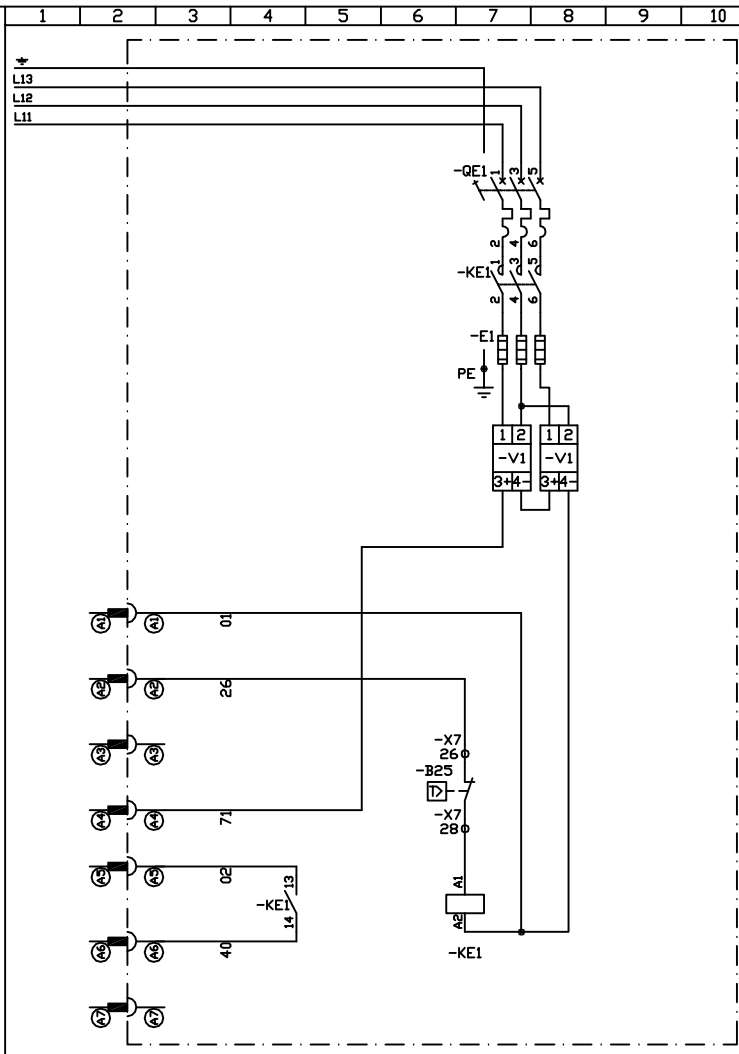
Indice	DATE	NOM	MODIFICATIONS

(1) BHK 060 ND
 DAD \ BE50
 DAD \ BE50

Dessine:
 CTO
 Date: 01.09.05



244307 5/11



REPERE	REFERENCE	CODE	Nb
-QE1	C60N 80A TRIPOL COURBE C	4480519Z	1
-KE1	LC1 D50 B7	4410656L	1
DISSIPATEUR	REF:26532762	4781303F	1
-V1	G75A REF:84060841	4781301A	2

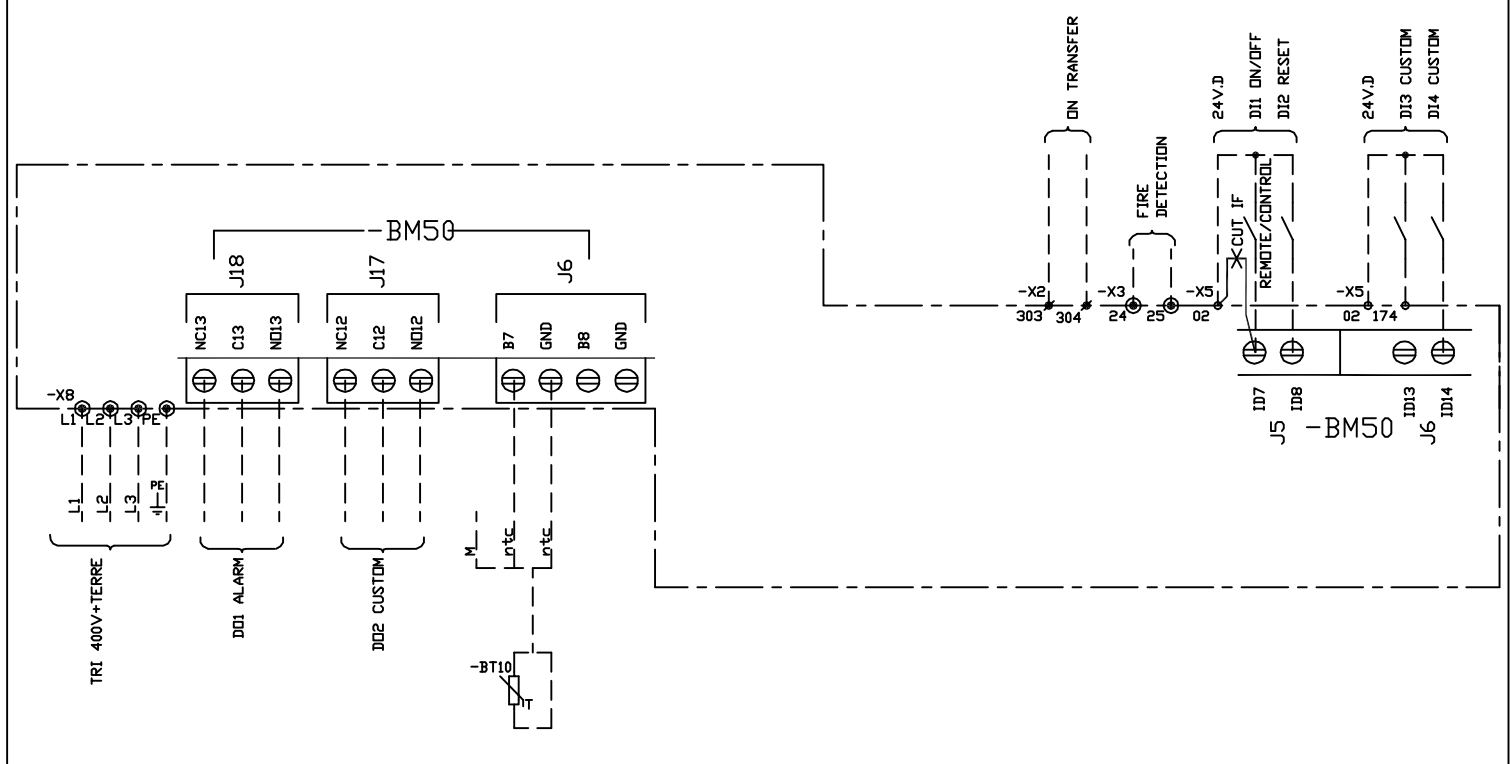
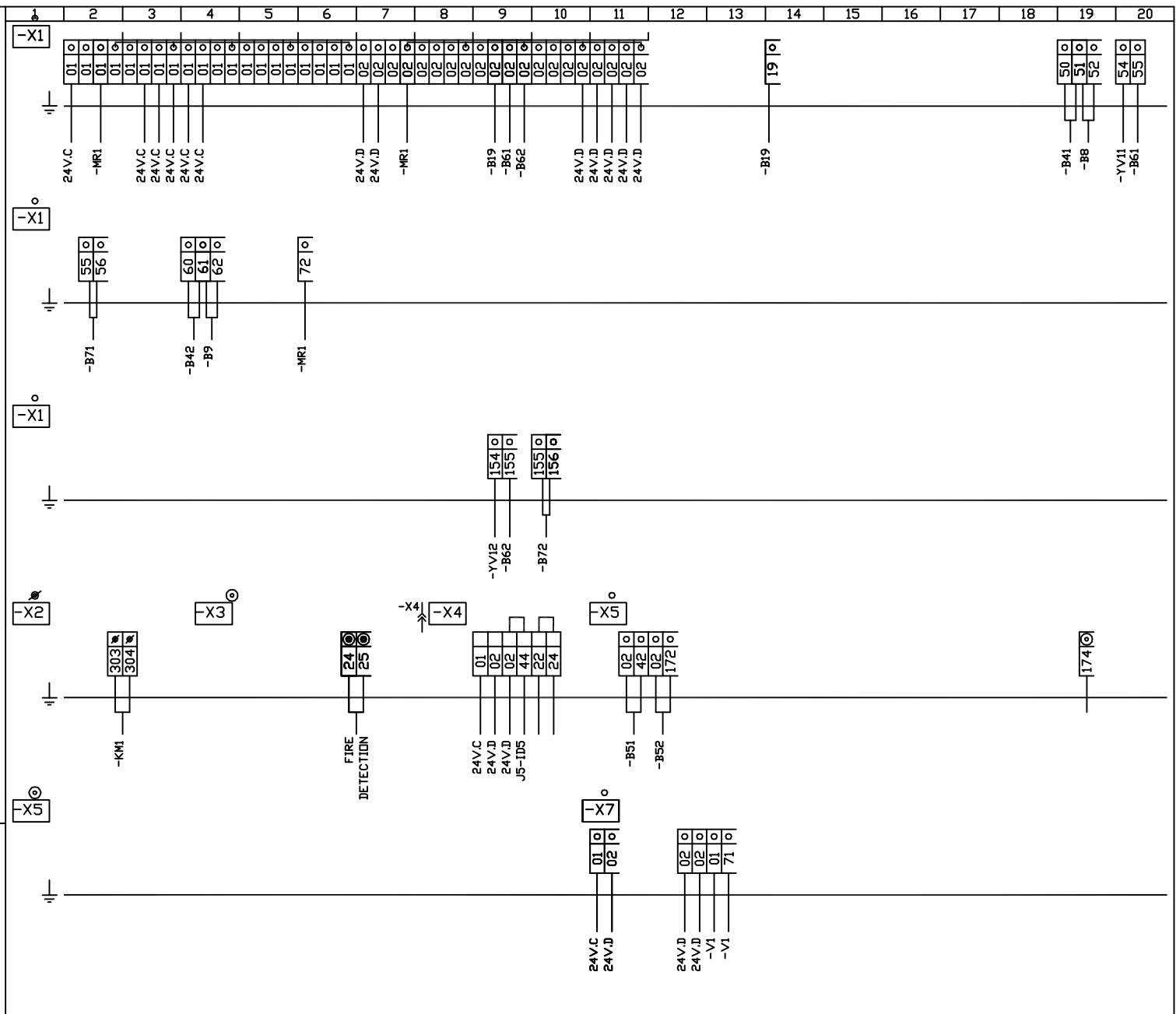
Indice	DATE	NOM	MODIFICATIONS

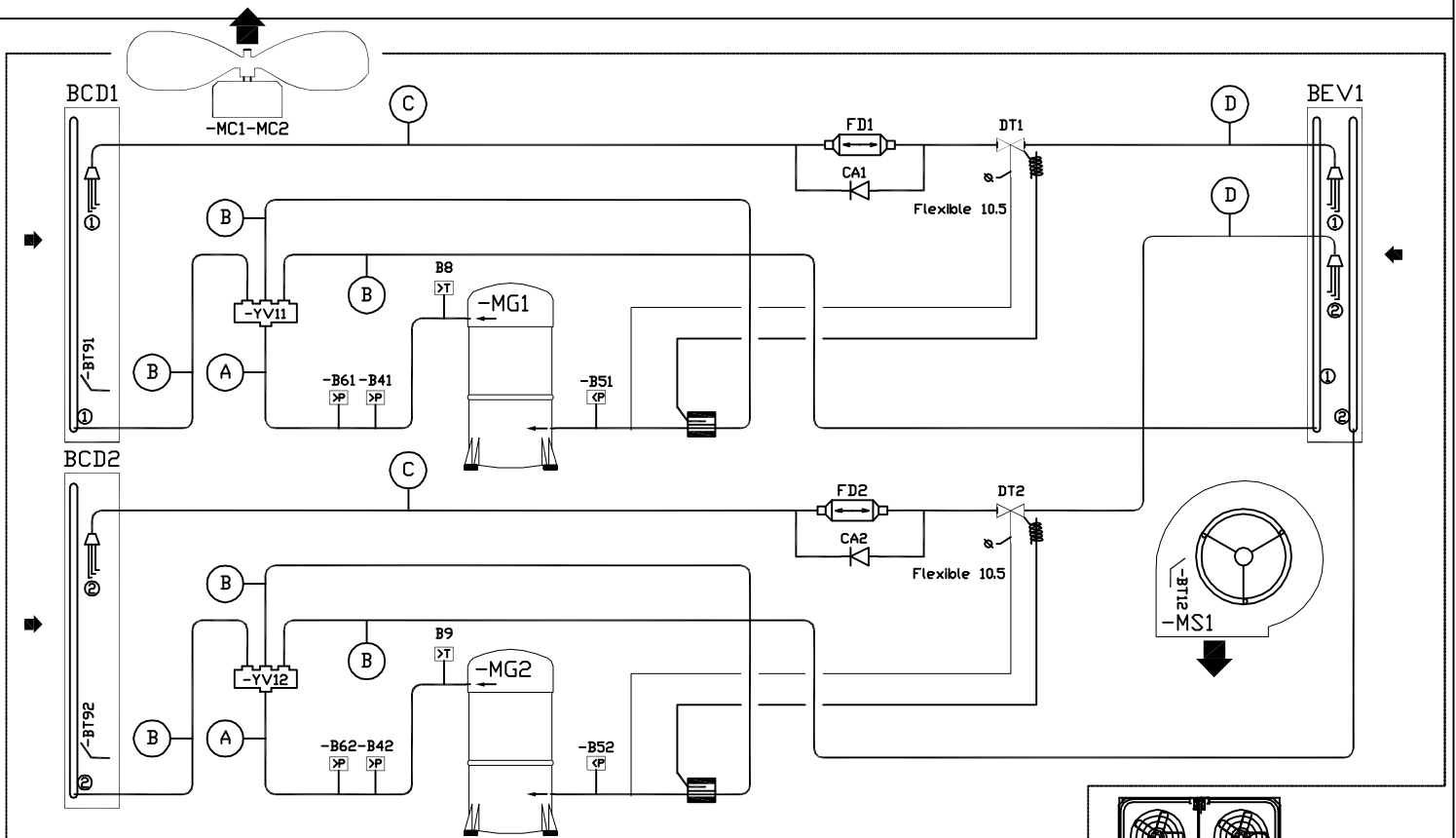
(1) BHK 060 ND
Kit chauffage
GAS

Dessine: CTO
Date: 01.09.05

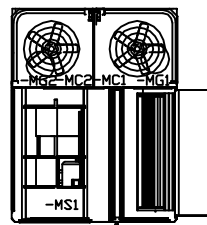


244307 6/11





B0X	30/35	40	-MG1	45	-MG2	50	60	70
D	5/8"	5/8"	5/8"	7/8"	7/8"	7/8"	7/8"	7/8"
C	1/2"	1/2"	1/2"	5/8"	5/8"	5/8"	5/8"	5/8"
B	7/8"	1 1/8"	1 1/8"	1 1/8"	1 1/8"	1 1/8"	1 1/8"	1 3/8"
A	5/8"	7/8"	7/8"	7/8"	7/8"	7/8"	7/8"	7/8"



Indice	DATE	NOM	MODIFICATIONS

(1) BHK 060 ND
 Schéma Frigorifique \ Hydraulique
 Cooling \ Hydraulic Diagram

Dessine: CTO
 Date: 01.09.05



244307 9/11

