
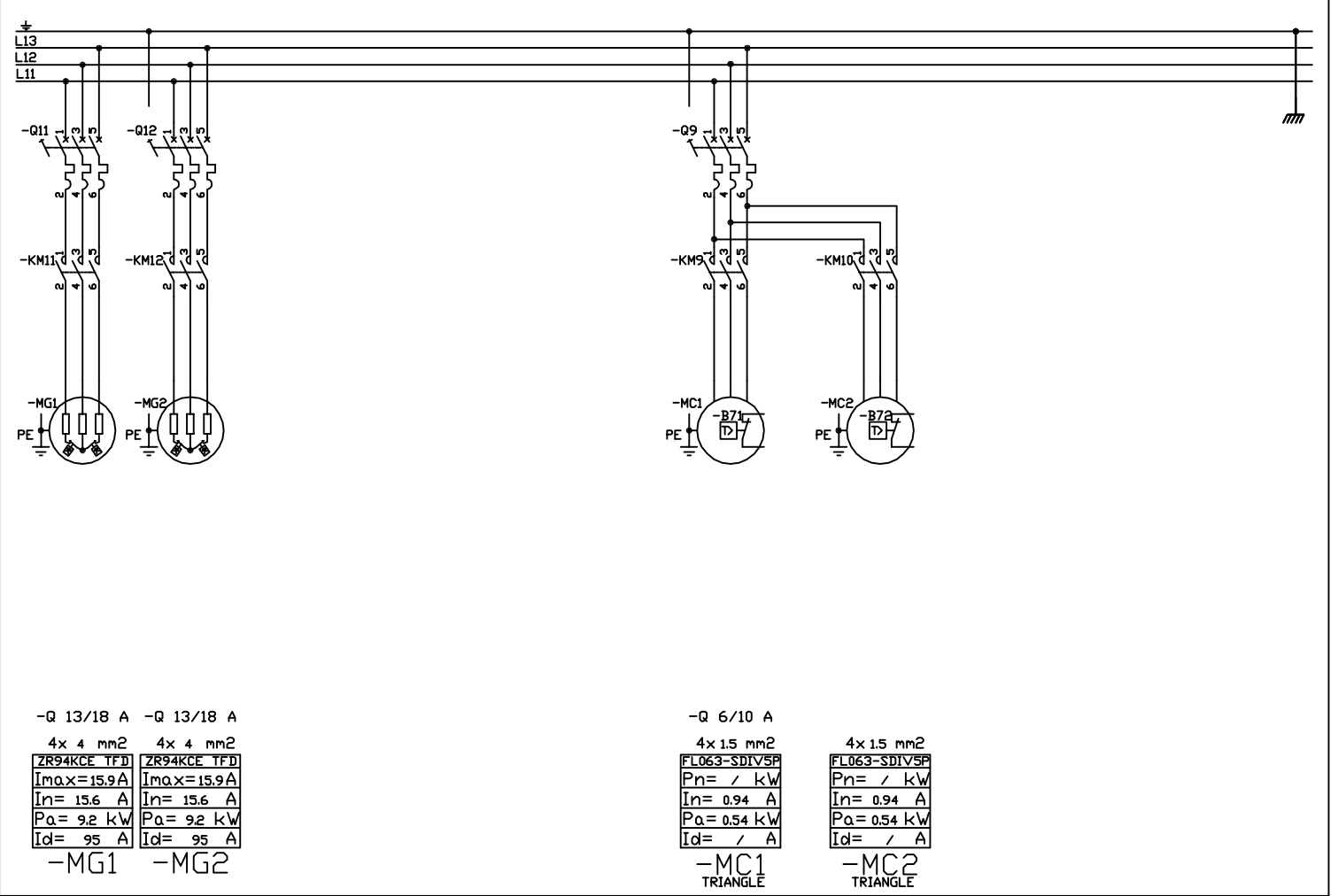
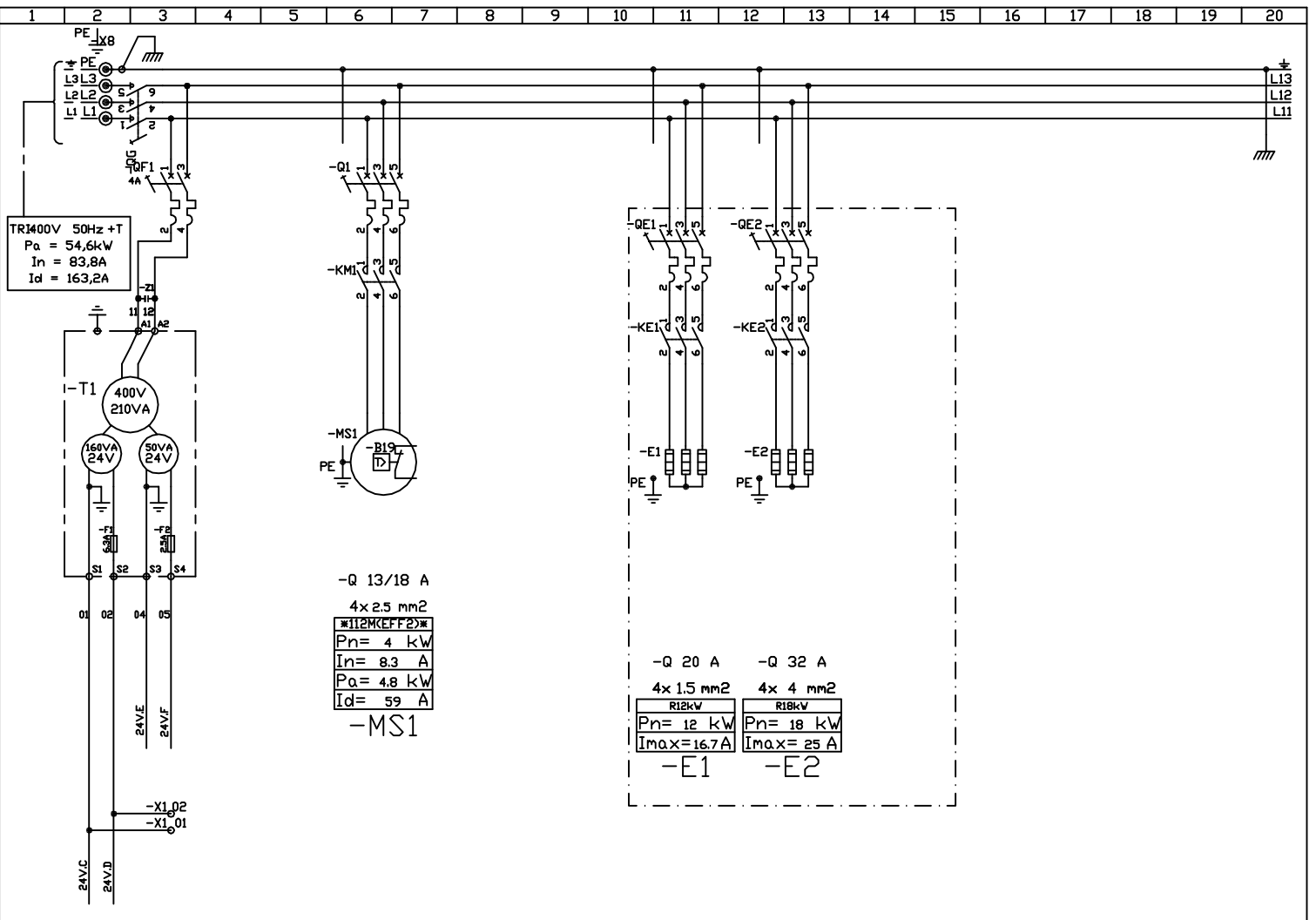
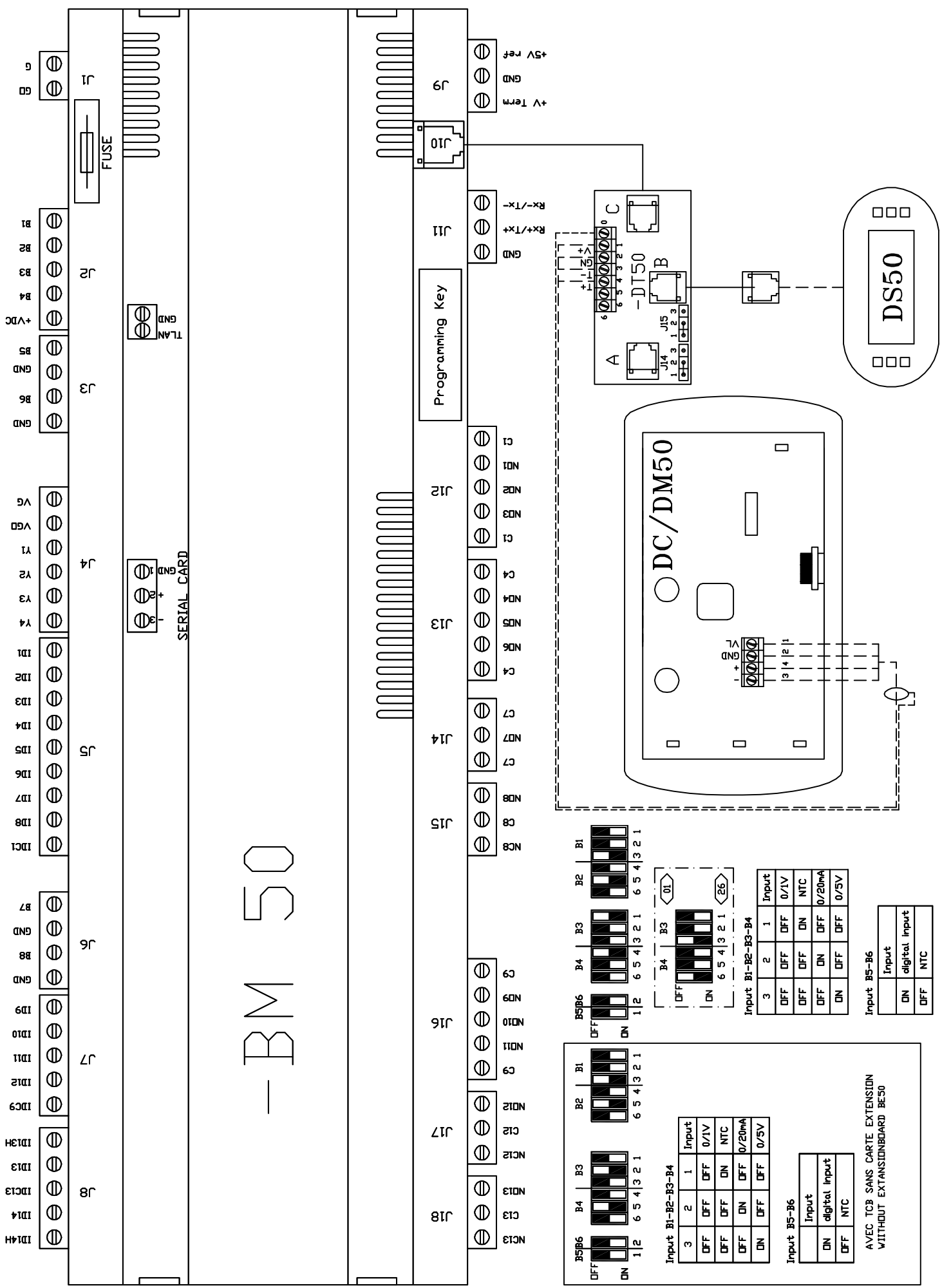
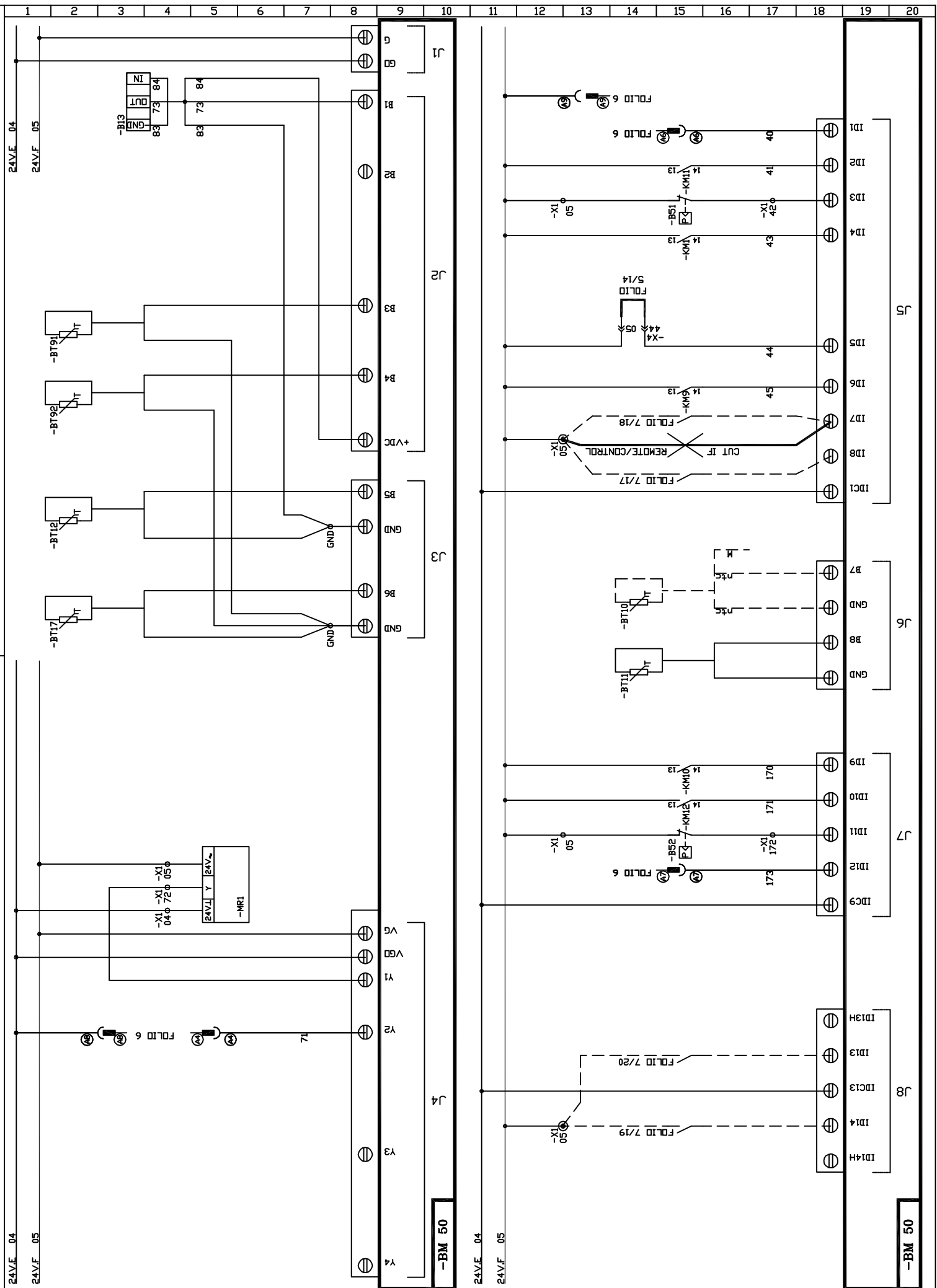


Indice	DATE	NOM	MODIFICATIONS
			
<i>Events - Racing trailer unit</i>			
(1) BHK 050 ND <b>LENNOX UK</b>	Dessine: CTO Date: 08.04.08	PAGE DE GARDE	260138 0/10







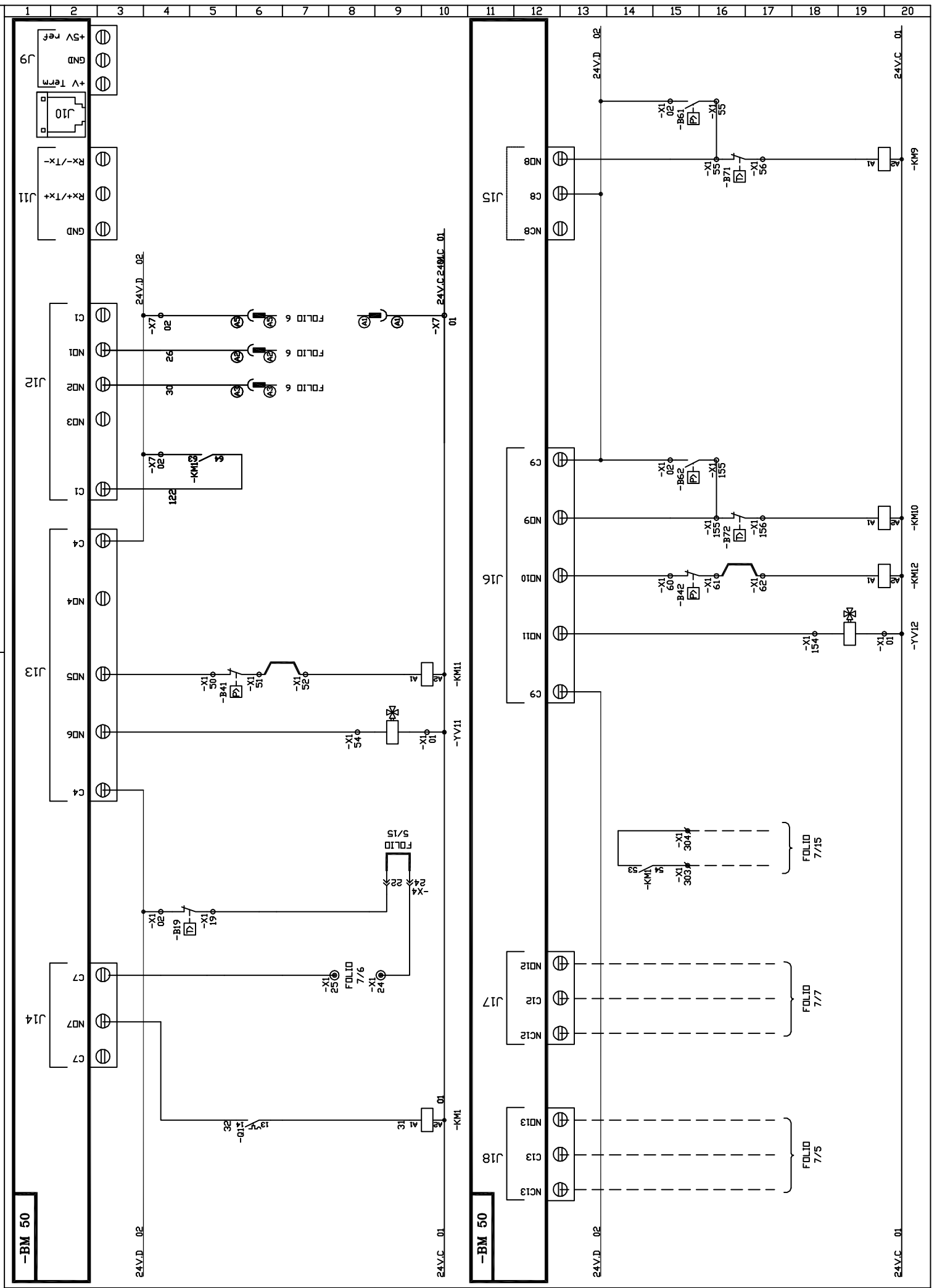
Indice	DATE	NOM	MODIFICATIONS

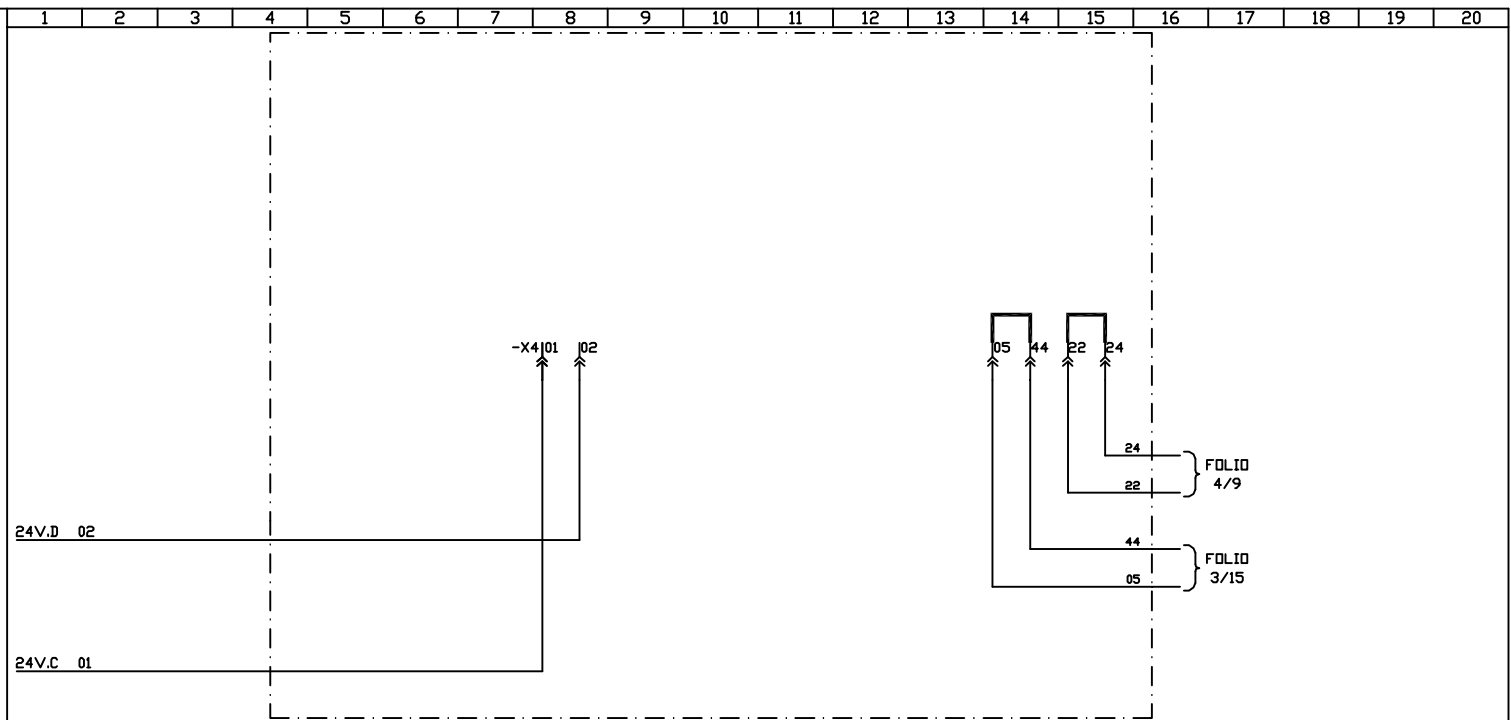
(1) BHK 050 ND  
Entrées Automate CLIMATIC 50

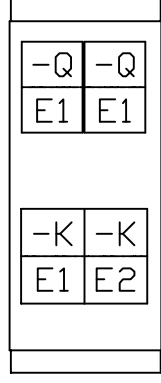
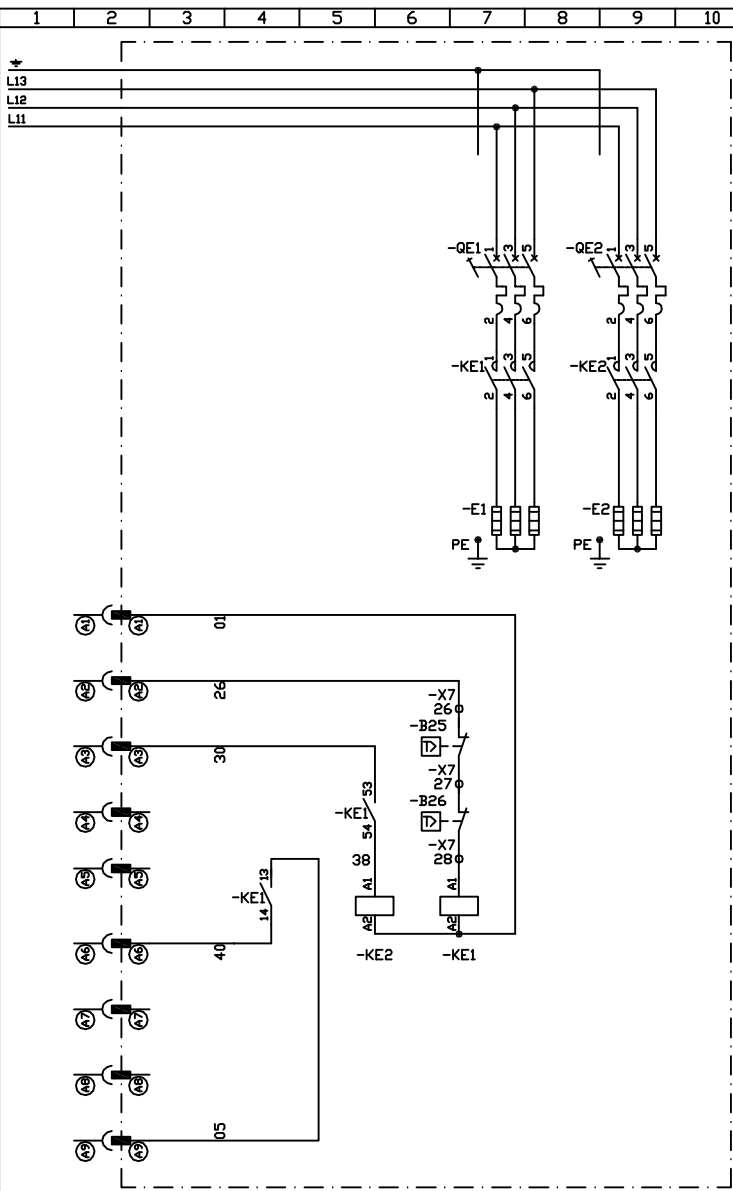
Dessine: CTO  
Date: 08.04.08



260138 3/10







REPERE	REFERENCE	CODE	Nb
-QE1	C60N 20A TRIPDL COURBE C	4480513R	1
-QE2	C60N 32A TRIPDL COURBE C	4480515V	1
-KE1	LC1 D0910 B7	4410650A	1
-KE1	LA1 DN11	5410082F	1
-KE2	LC1 D1010 B7	4410652F	1

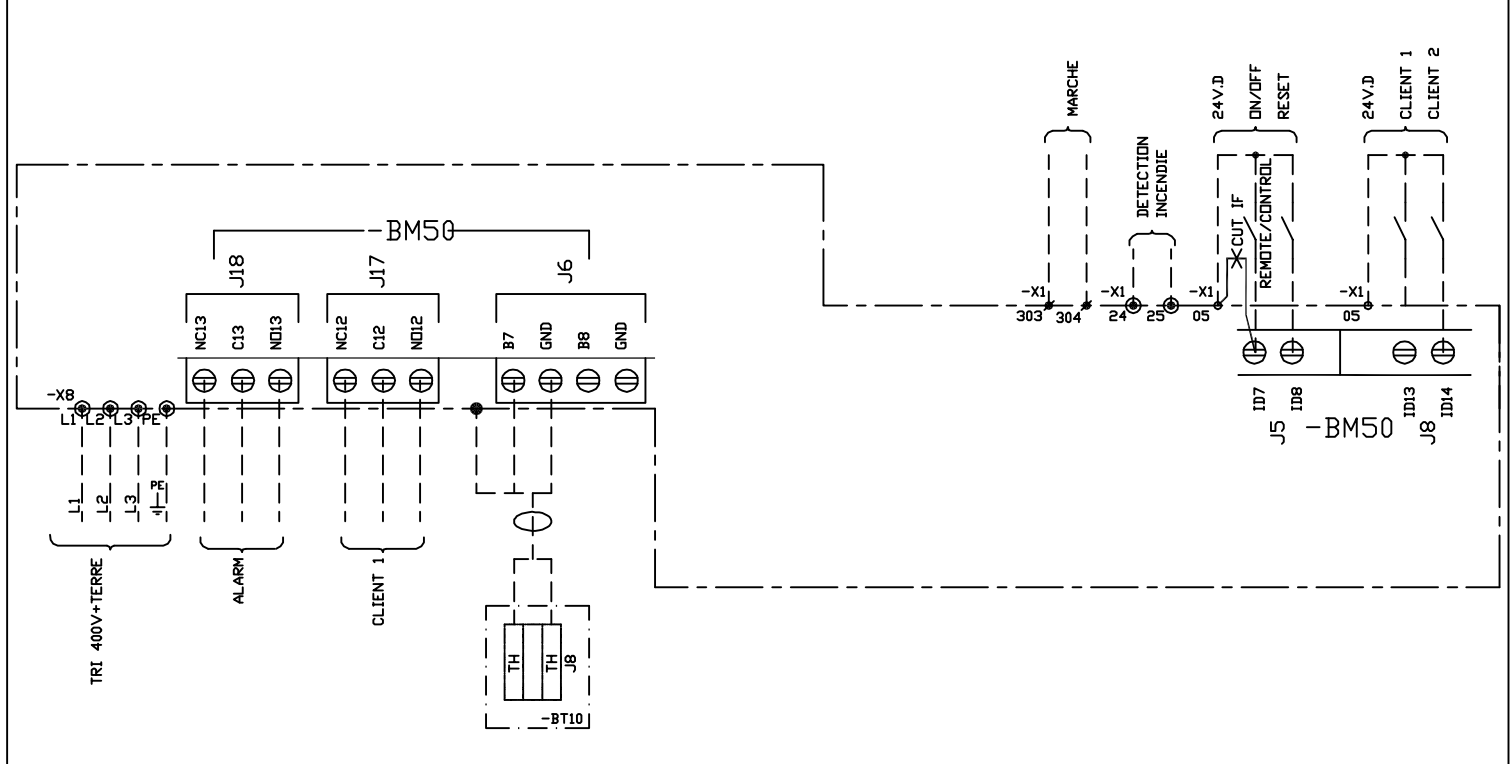
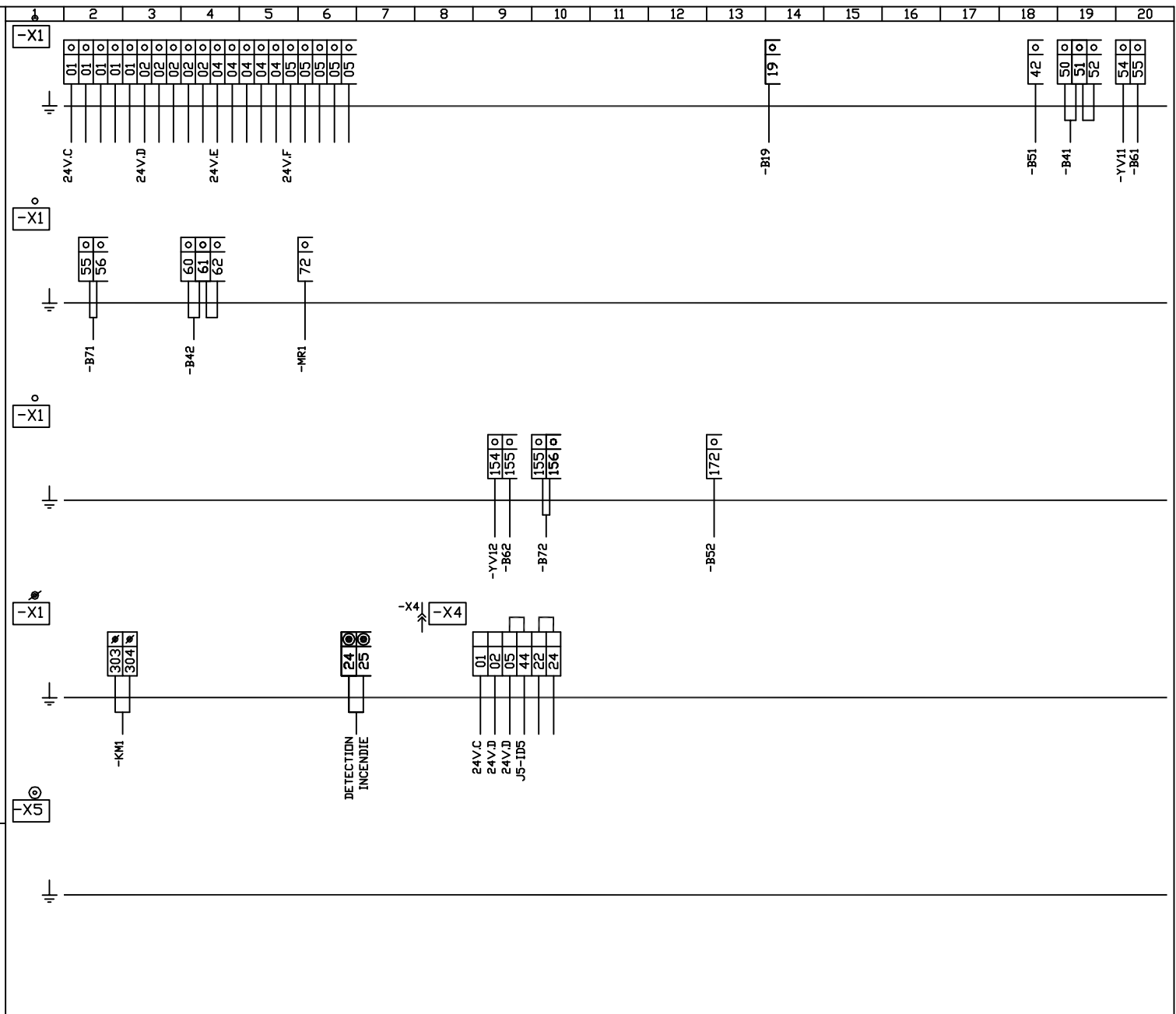
Indice	DATE	NOM	MODIFICATIONS

(1) BHK 050 ND  
Kit chauffage

Dessine: CTO  
Date: 08.04.08

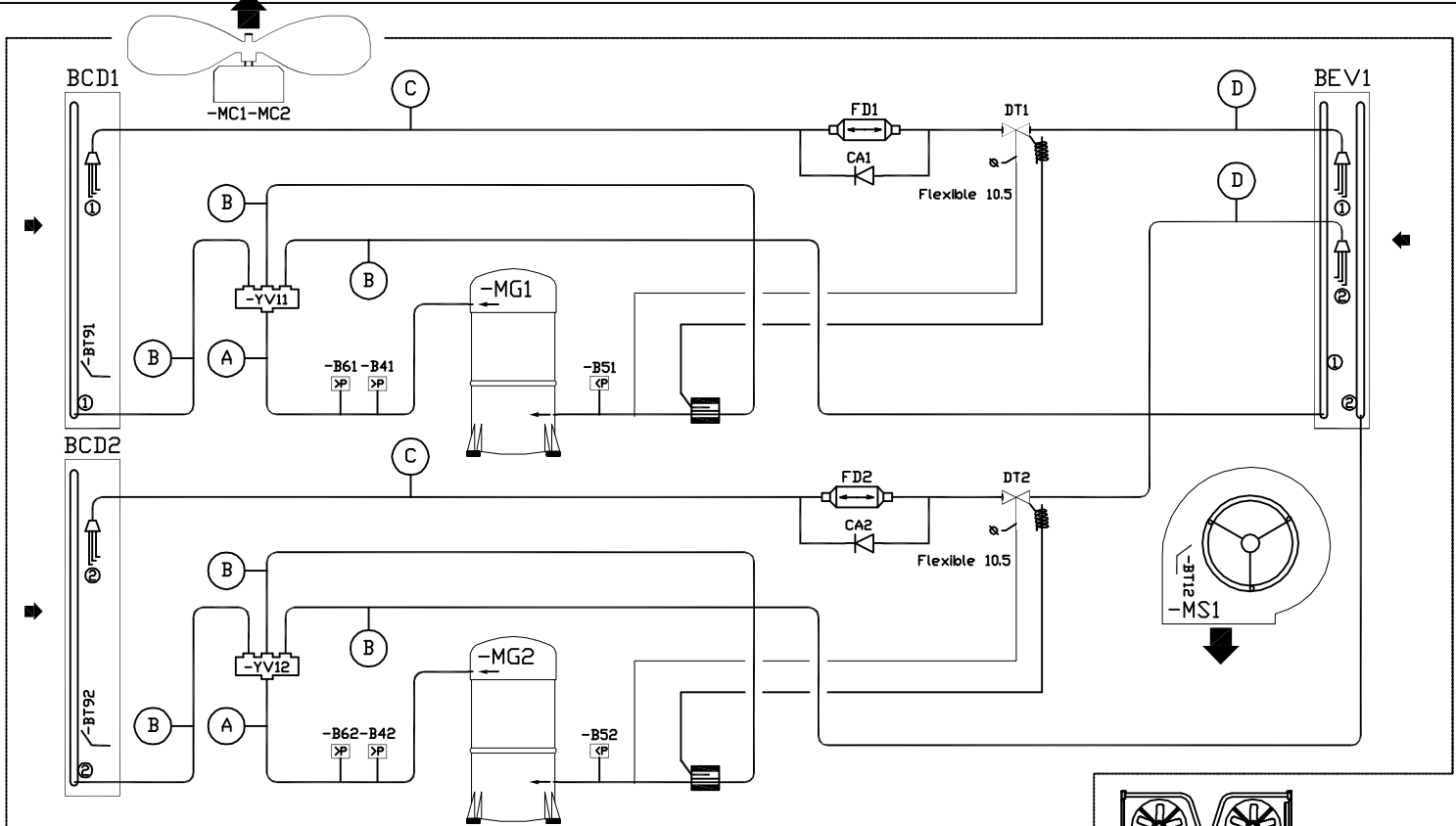


260138 6/10

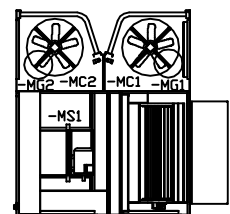








B0X	30/35	40	-MG1	45	-MG2	50	60	70
D	5/8"	5/8"	5/8"	7/8"	7/8"	7/8"	7/8"	7/8"
C	1/2"	1/2"	1/2"	5/8"	5/8"	5/8"	5/8"	5/8"
B	7/8"	1 1/8"	1 1/8"	1 1/8"	1 1/8"	1 1/8"	1 1/8"	1 3/8"
A	5/8"	7/8"	7/8"	7/8"	7/8"	7/8"	7/8"	7/8"



Indice	DATE	NOM	MODIFICATIONS

(1) BHK 050 ND  
Schéma Frigorifique \ Hydraulique

Dessine: CTO  
Date: 08.04.08



260138 9/10

