
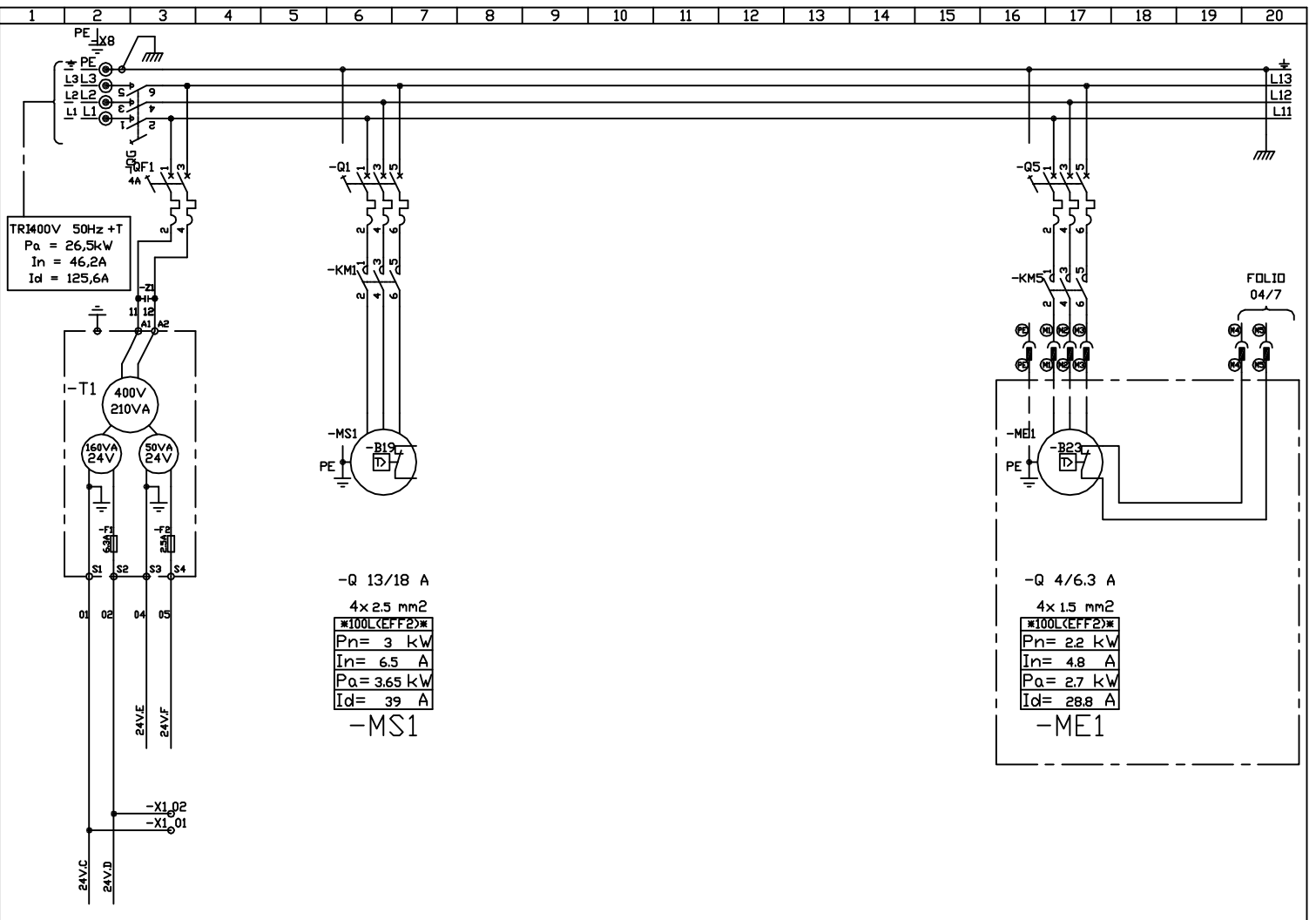
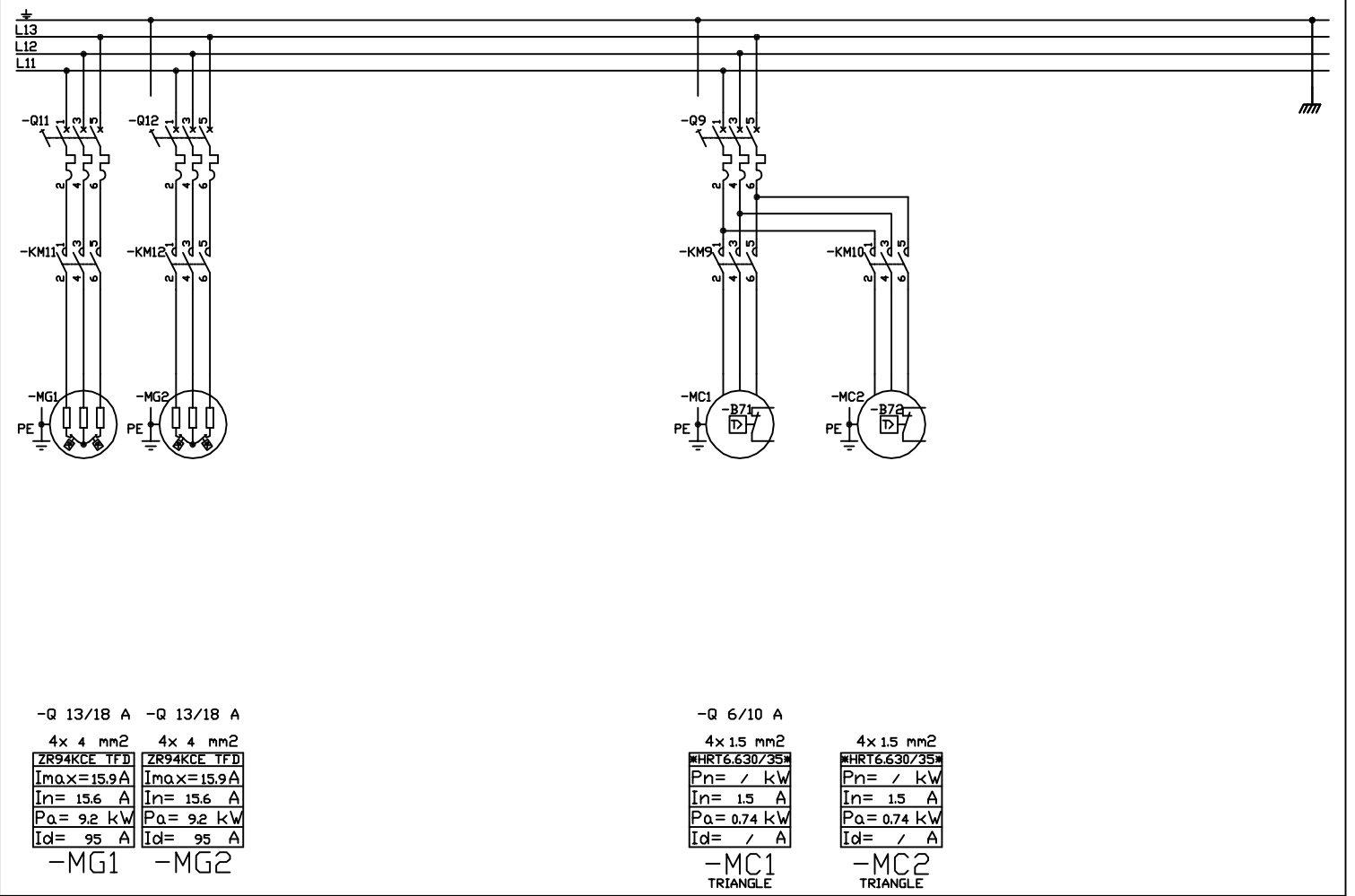


Indice	DATE	NOM	MODIFICATIONS
			
<i>Monmore Creen Stadium</i>			
(1) BHK 050 ND LENNOX UK		Dessine: CTO Date: 04.09.07	PAGE DE GARDE <div style="border: 1px solid black; padding: 2px;">257030</div> <div style="border: 1px solid black; padding: 2px;">0 / 11</div>



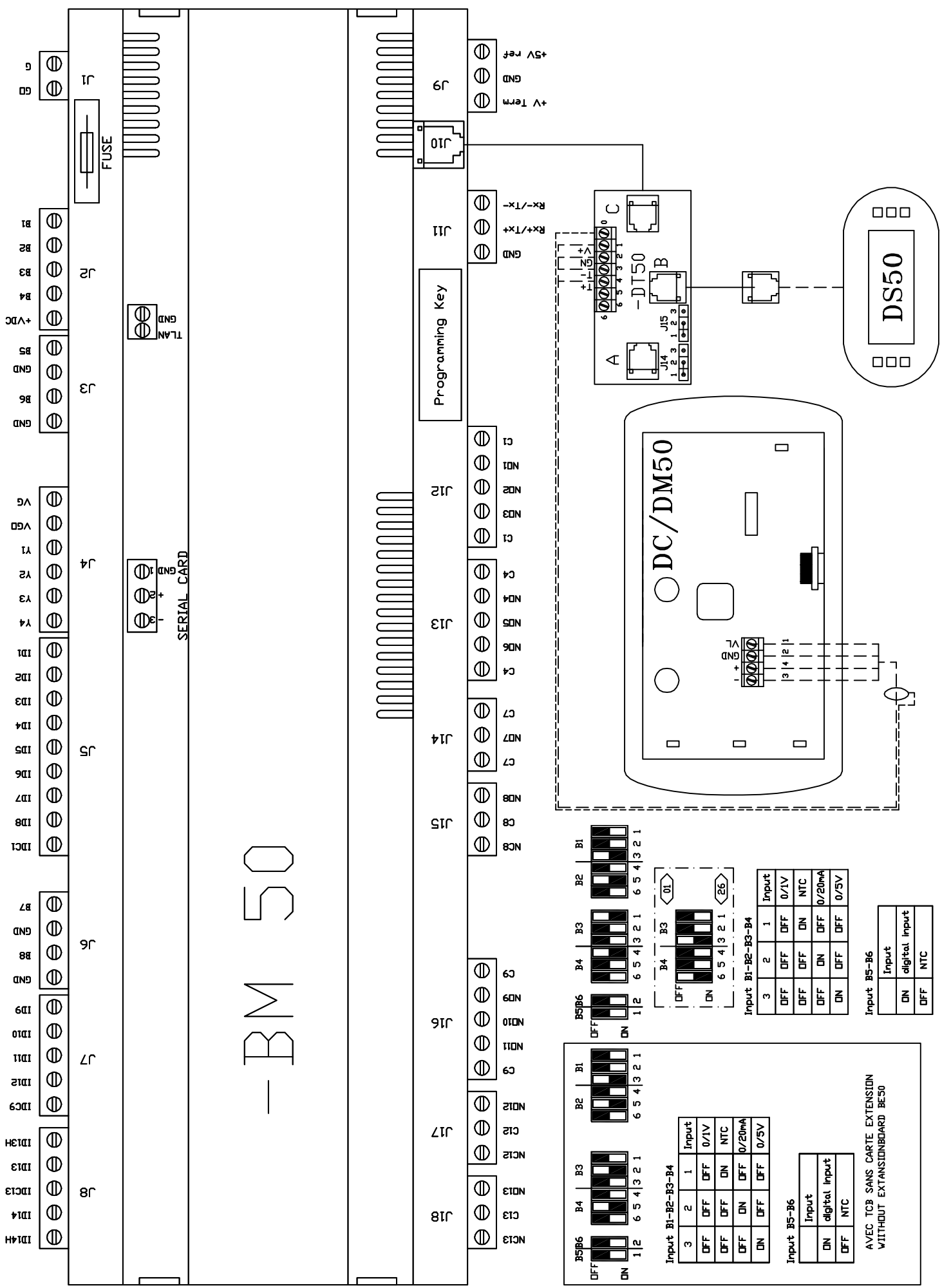
-Q 13/18 A
 4x 2,5 mm²
 100L(EFF2)
 Pn= 3 kW
 In= 6,5 A
 Pa= 3,65 kW
 Id= 39 A
 -MS1

-Q 4/6.3 A
 4x 1,5 mm²
 100L(EFF2)
 Pn= 2,2 kW
 In= 4,8 A
 Pa= 2,7 kW
 Id= 28,8 A
 -ME1



-Q 13/18 A -Q 13/18 A
 4x 4 mm² 4x 4 mm²
 ZR94KCE TFD ZR94KCE TFD
 Imax= 15,9 A Imax= 15,9 A
 In= 15,6 A In= 15,6 A
 Pa= 9,2 kW Pa= 9,2 kW
 Id= 95 A Id= 95 A
 -MG1 -MG2

-Q 6/10 A
 4x 1,5 mm²
 HRT6.630/35 HRT6.630/35
 Pn= / kW Pn= / kW
 In= 1,5 A In= 1,5 A
 Pa= 0,74 kW Pa= 0,74 kW
 Id= / A Id= / A
 -MC1 -MC2
 TRIANGLE TRIANGLE



Indice	DATE	NOM	MODIFICATIONS

(1) BHK 050 ND
Automate CLIMATIC 50
Climatic 50 Controller

Dessine: CTO
Date: 04.09.07



257030 2/11

Input B1-B2-B3-B4

	1	2	3	Input
OFF	OFF	OFF	OFF	0/1V
DN	DN	DN	DN	NTC
DN	DN	DN	DN	0/20mA
DN	DN	DN	DN	0/5V

Input B5-B6

	Input
DN	digital input
OFF	NTC

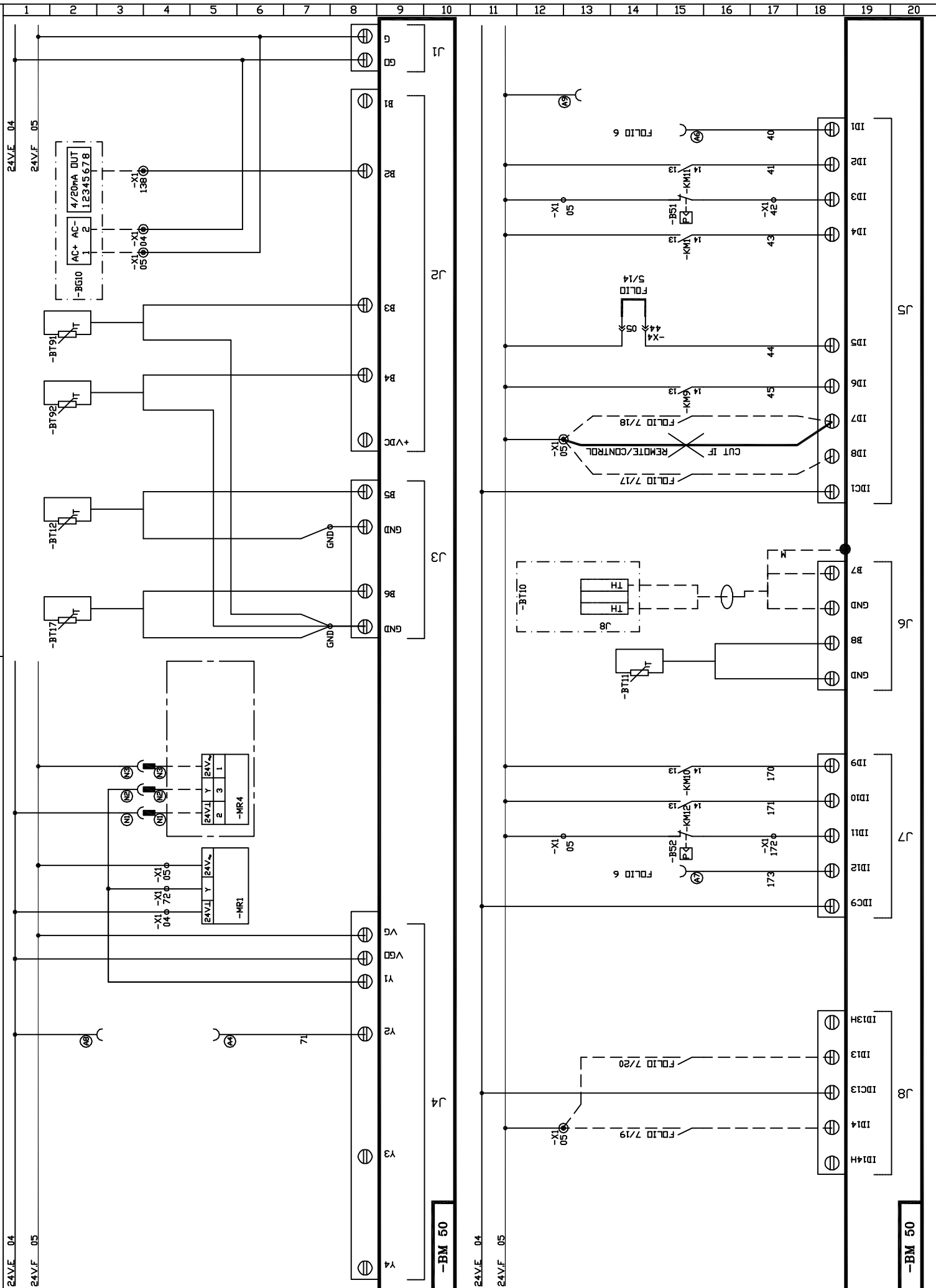
AVEC TCB SANS CARTE EXTENSION
WITHOUT EXTENSIONBOARD BE50

Input B1-B2-B3-B4

	1	2	3	Input
OFF	OFF	OFF	OFF	0/1V
DN	DN	DN	DN	NTC
DN	DN	DN	DN	0/20mA
DN	DN	DN	DN	0/5V

Input B5-B6

	Input
DN	digital input
OFF	NTC



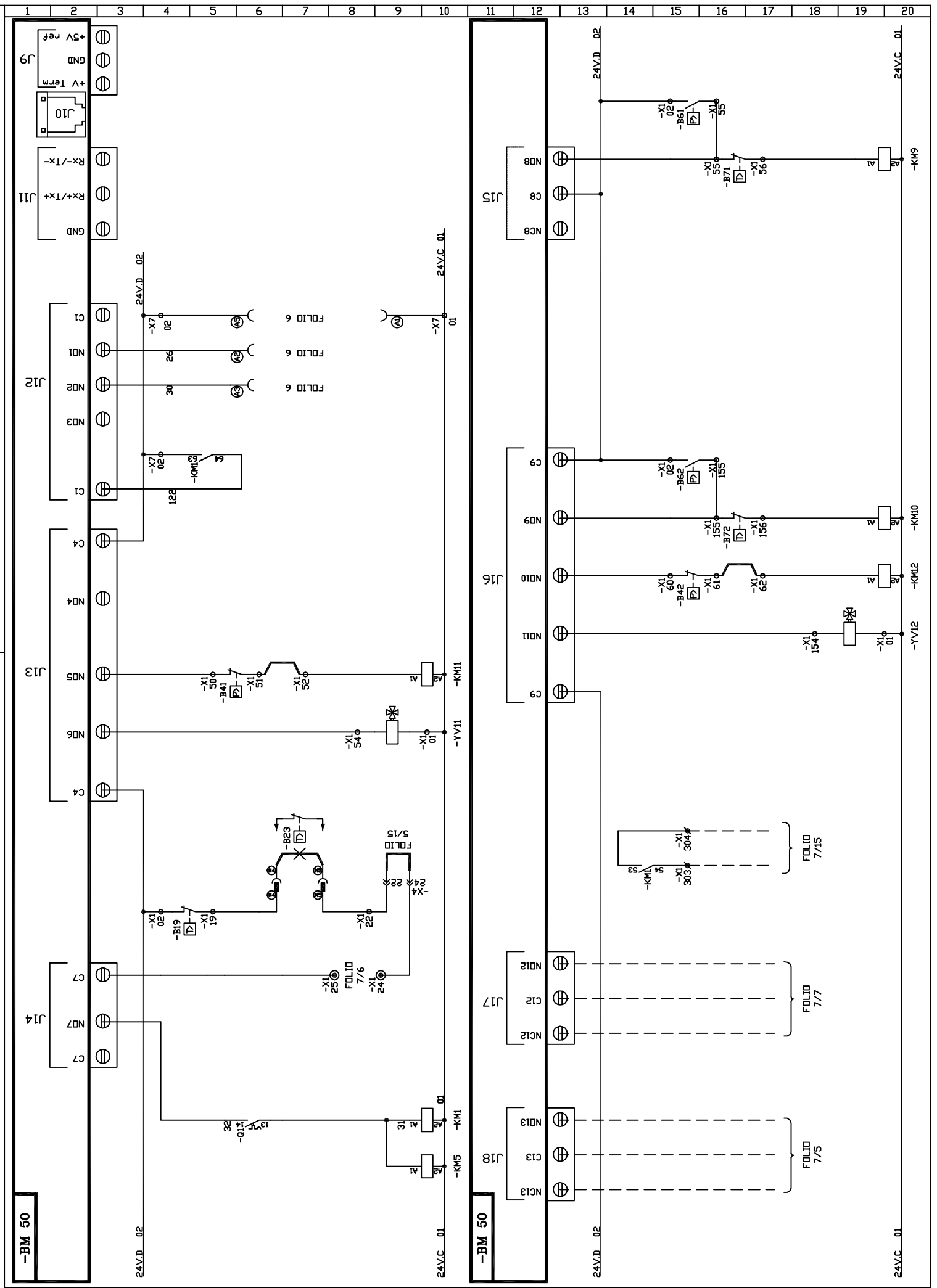
Indice	DATE	NOM	MODIFICATIONS

(1) BHK 050 ND
Entrées Automate CLIMATIC 50
Climatic 50 Controller Input

Dessine: CTO
Date: 04.09.07



257030 3/11



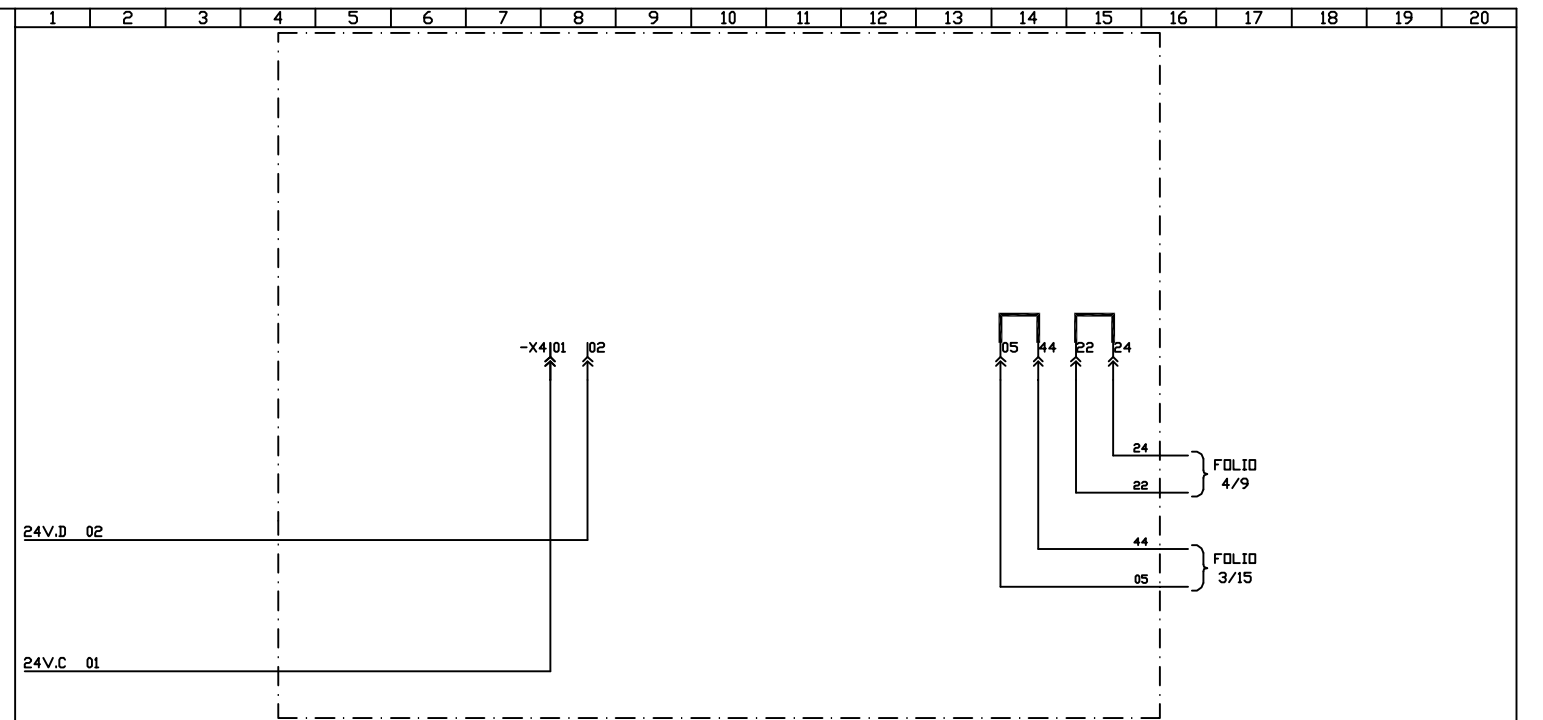
Indice	DATE	NOM	MODIFICATIONS

(1) BHK 050 ND
Sorties Automate CLIMATIC 50
Climatic 50 Controller Outputs


Dessine: CTO
Date: 04.09.07

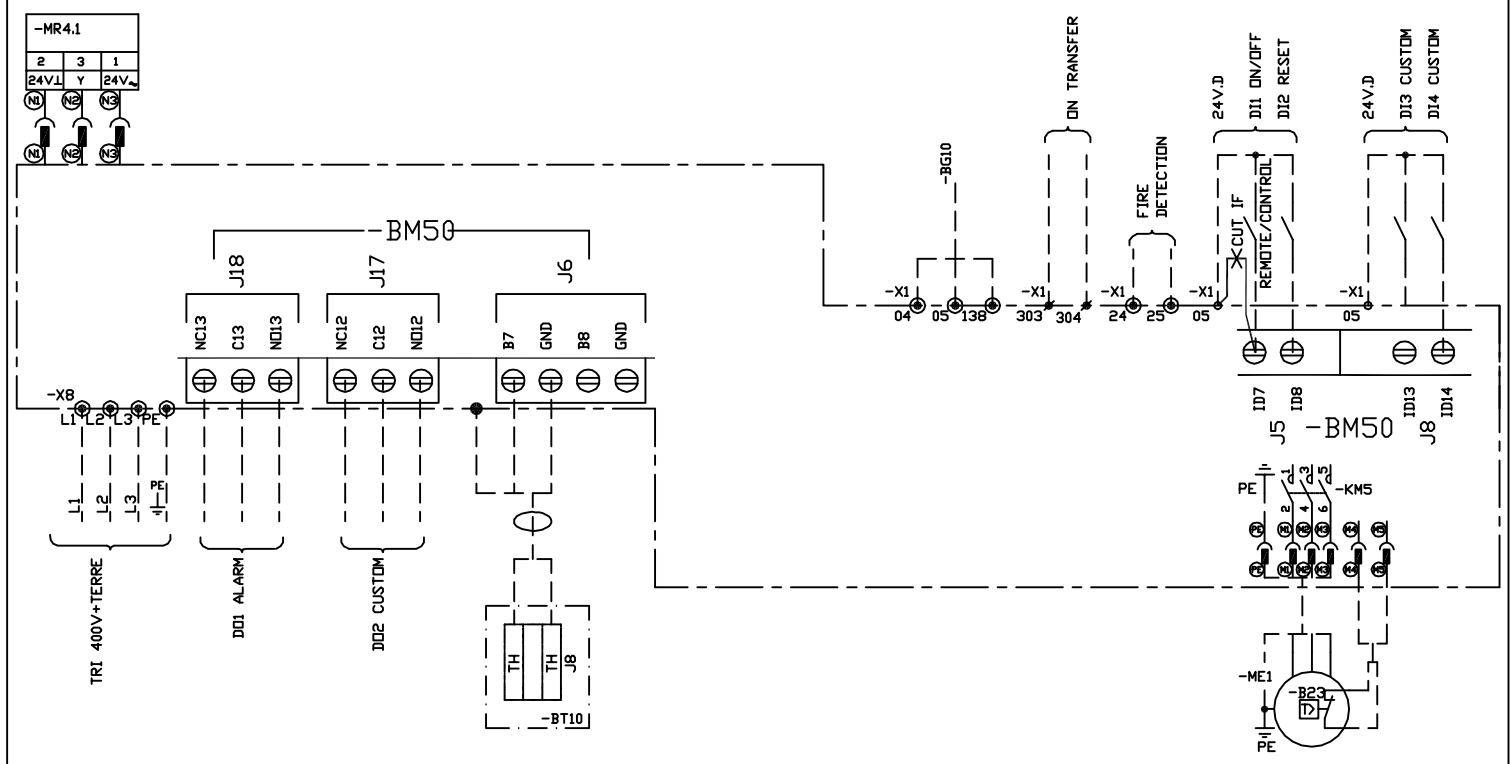
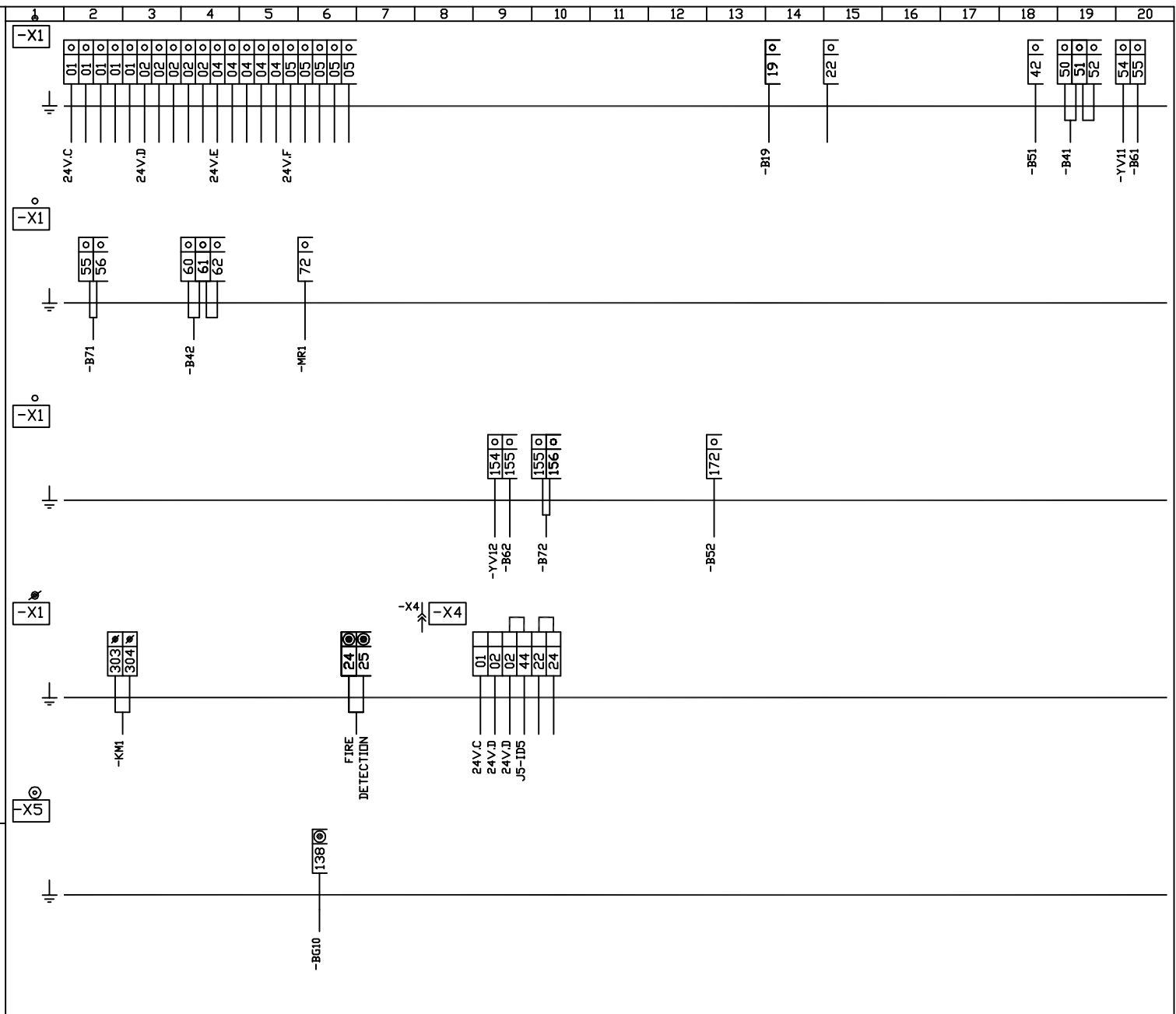


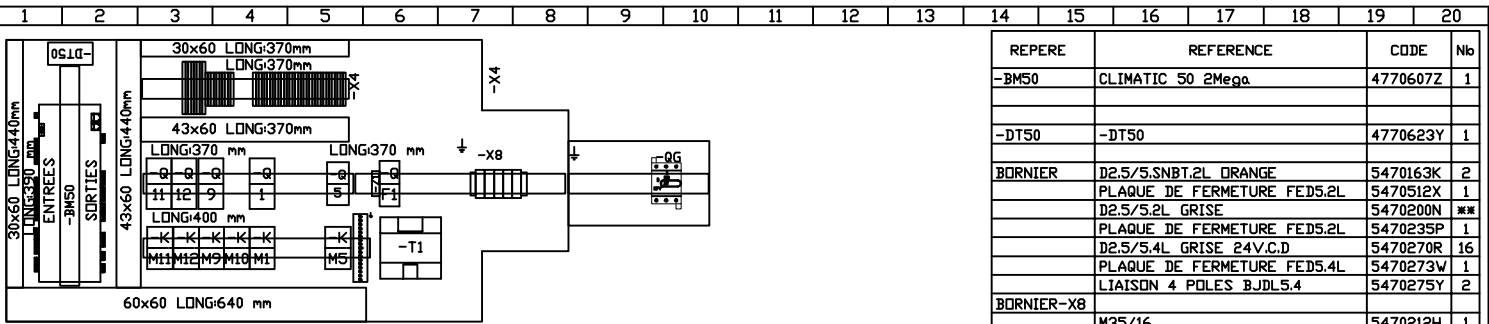
257030 4/11





					(1) BHK 050 ND Kit chauffage GAS	Dessine: CTO Date: 04.09.07	 USINE DE LONGVIC	257030 ■■■■■■■■■■	6 / 11
Indice	DATE	NOM	MODIFICATIONS						





REPERE	REFERENCE	CODE	Nb
-QG	INTER DT 63 E3	4480657E	1
-QG	POIGNEE DE MANOEUVRE OHY2AJ	4480661L	1
-QG	ARBRE DE MANOEUVRE DXS 5x160	4480660J	1
PRDFIL	OMEGA 35x7.5x1.5 LONG:160mm	5740142E	1
BARRETTE	TYPE MG 14979	5470186T	1
-QF1	C60N 24583 4A BIPOL COURBE D	4480591H	1
-T1	210VA 400V/24V/24V	4430135H	1
-Z1	LRC V2-0.22-220/400V	4770010X	1
-Q5	GV2 M10 4/6.3 A	4410847R	1
-KM5	LC1 D09 B7	4410650A	1

REPERE	REFERENCE	CODE	Nb
-Q1	GV2 M20 13/18 A	4410850W	1
-Q1	GV2 AE 113	4410891J	1
-KM1	LC1 D12 B7	4410651E	1
-KM1	LA DN403	5410092V	1

REPERE	REFERENCE	CODE	Nb
-BM50	CLIMATIC 50 2Mega	4770607Z	1
-DT50	-DT50	4770623Y	1
BORNIER	D2.5/5.SNBT.2L ORANGE	5470163K	2
	PLAQUE DE FERMETURE FED5.2L	5470512X	1
	D2.5/5.2L GRISE	5470200N	**
	PLAQUE DE FERMETURE FED5.2L	5470235P	1
	D2.5/5.4L GRISE 24V.C.D	5470270R	16
	PLAQUE DE FERMETURE FED5.4L	5470273V	1
	LIAISON 4 POLES BJDLS.4	5470275Y	2
BORNIER-X8			
	M35/16	5470212H	1
	M35/16	5470204V	3
	PLAQUE DE FERMETURE	5470237T	1
BUTEE	103 002 26	5470240X	2
-Q11-Q12	GV2 M203 13/18 A	4410883W	2
-KM11-KM12	LC1 D123 B7	4410651E	2
-Q9	GV2 M14 6/10A	4410848T	1
-KM9	LC1 D09 B7	4410650A	1
-KM10	LC1 D09 B7	4410650A	1

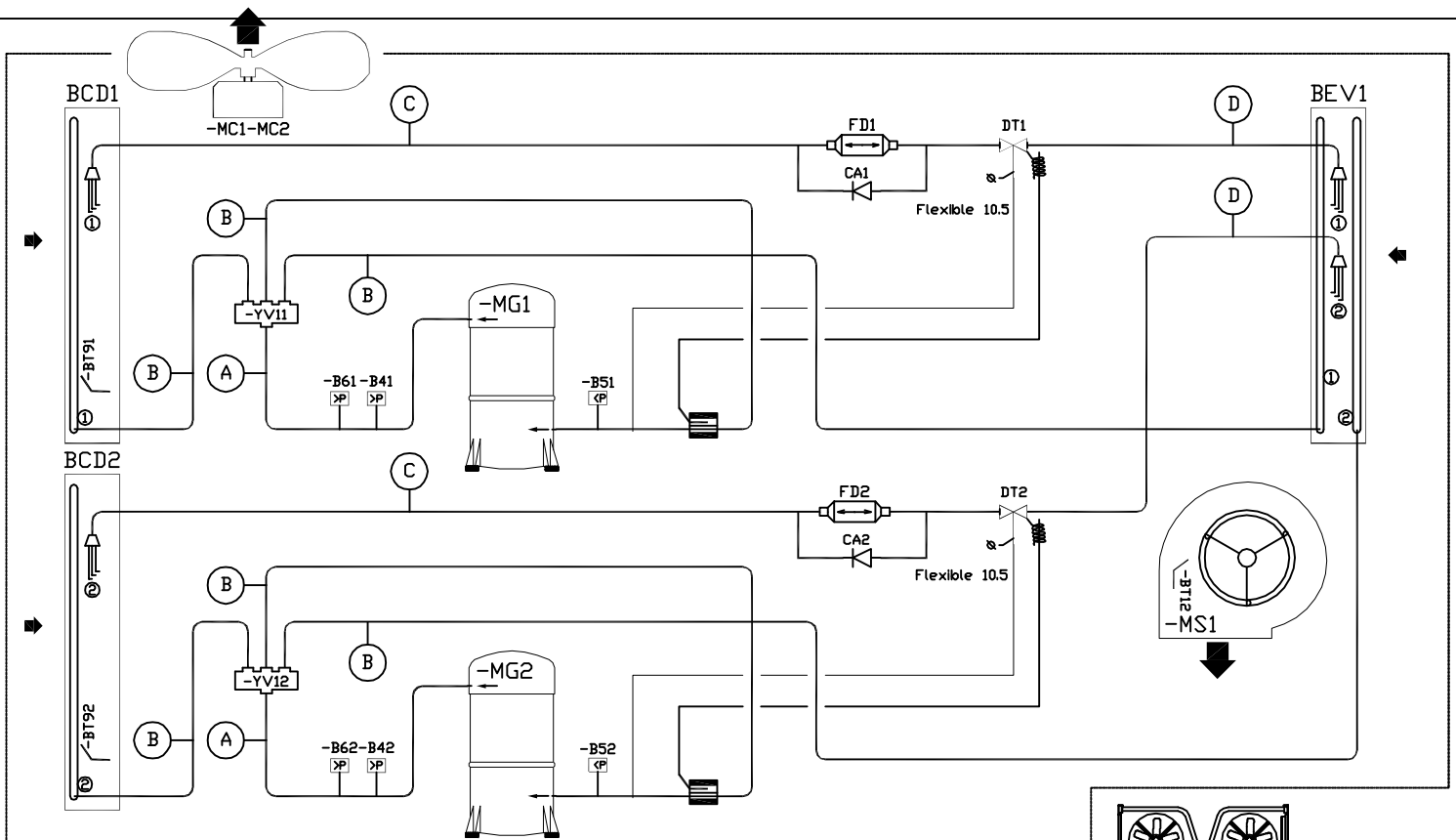
Indice	DATE	NOM	MODIFICATIONS

(1) BHK 050 ND
 Implantation coffret
 Box Layout

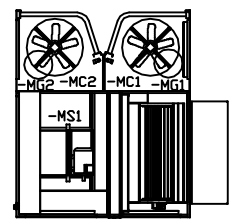
Dessine: CTO
 Date: 04.09.07



257030 8/11



B0X	30/35	40	-MG1	45	-MG2	50	60	70
D	5/8"	5/8"	5/8"	7/8"	7/8"	7/8"	7/8"	7/8"
C	1/2"	1/2"	1/2"	5/8"	5/8"	5/8"	5/8"	5/8"
B	7/8"	1 1/8"	1 1/8"	1 1/8"	1 1/8"	1 1/8"	1 1/8"	1 3/8"
A	5/8"	7/8"	7/8"	7/8"	7/8"	7/8"	7/8"	7/8"



Indice	DATE	NOM	MODIFICATIONS

(1) BHK 050 ND
 Schéma Frigorifique \ Hydraulique
 Cooling \ Hydraulic Diagram

Dessine: CTO
 Date: 04.09.07



257030 9/11

