
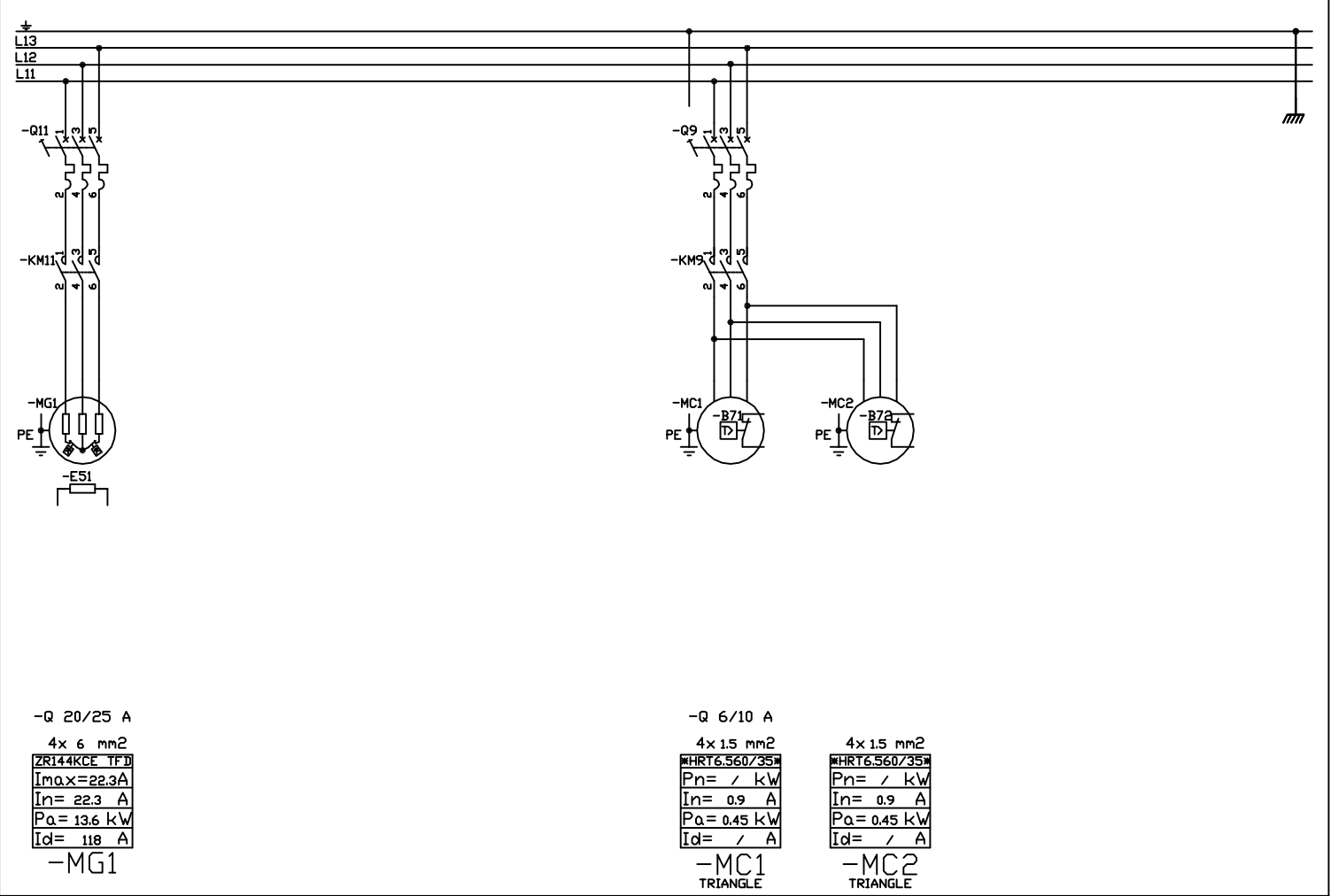
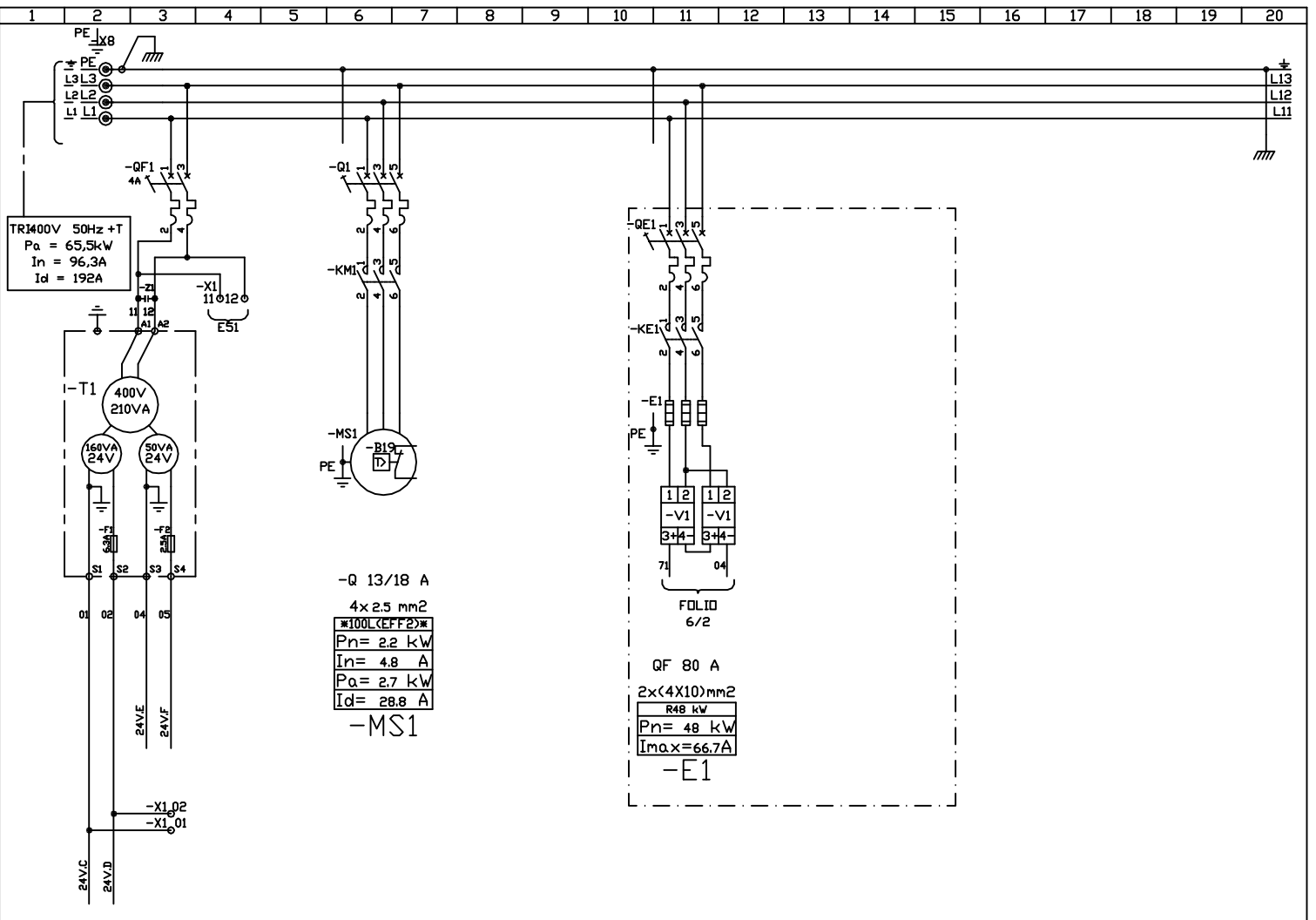
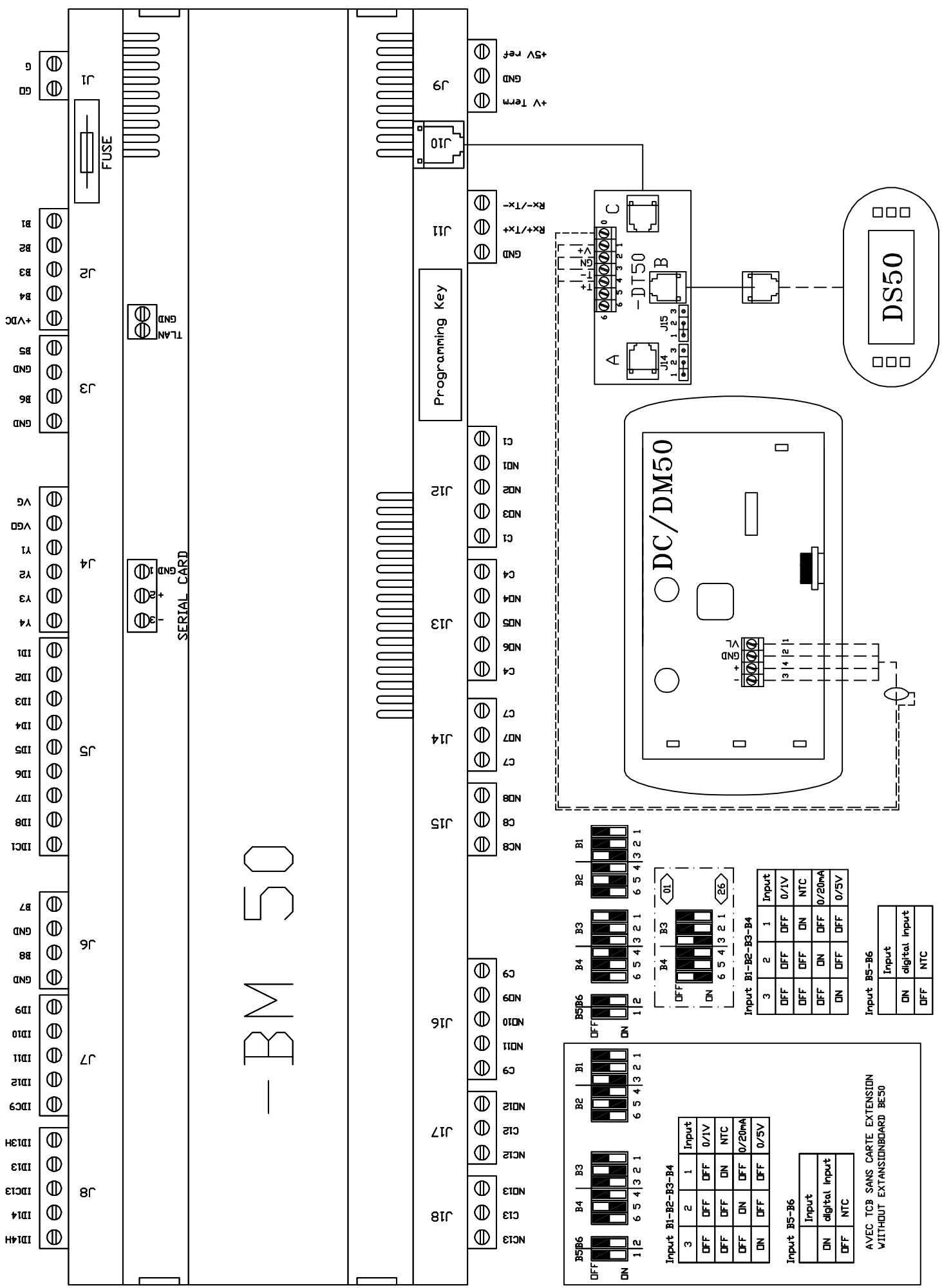


Indice	DATE	NOM	MODIFICATIONS
			
<i>Cameron House, Loch Lomond - Smolls</i>			
(1) BHK 035 NS LENNOX UK	Dessine: CTO Date: 11.10.07	PAGE DE GARDE	257553 0/11





Indice	DATE	NOM	MODIFICATIONS

(1) BHK 035 NS
Automate CLIMATIC 50
Climatic 50 Controller

Dessine: CTO
Date: 11.10.07



257553 2/11

Input B1-B2-B3-B4

1	2	3	Input
OFF	OFF	OFF	0/1V
OFF	OFF	OFF	NTC
OFF	DN	OFF	0/20mA
DN	OFF	OFF	0/5V

Input B5-B6

Input	digital input	NTC
DN	OFF	OFF

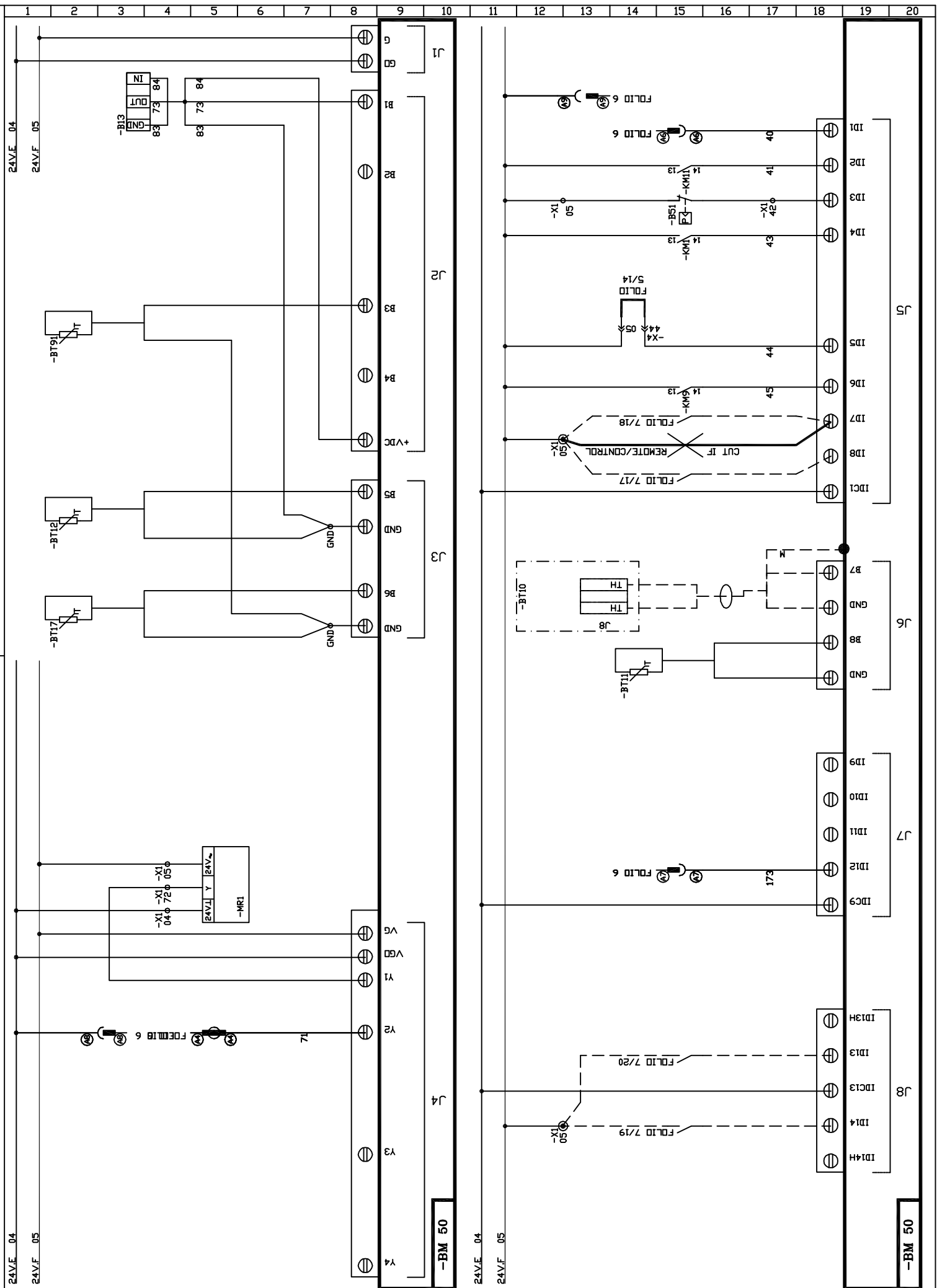
AVEC TCB SANS CARTE EXTENSION
WITHOUT EXTENSIONBOARD BE50

Input B1-B2-B3-B4

1	2	3	Input
OFF	OFF	OFF	0/1V
OFF	OFF	OFF	NTC
OFF	DN	OFF	0/20mA
DN	OFF	OFF	0/5V

Input B5-B6

Input	digital input	NTC
DN	OFF	OFF



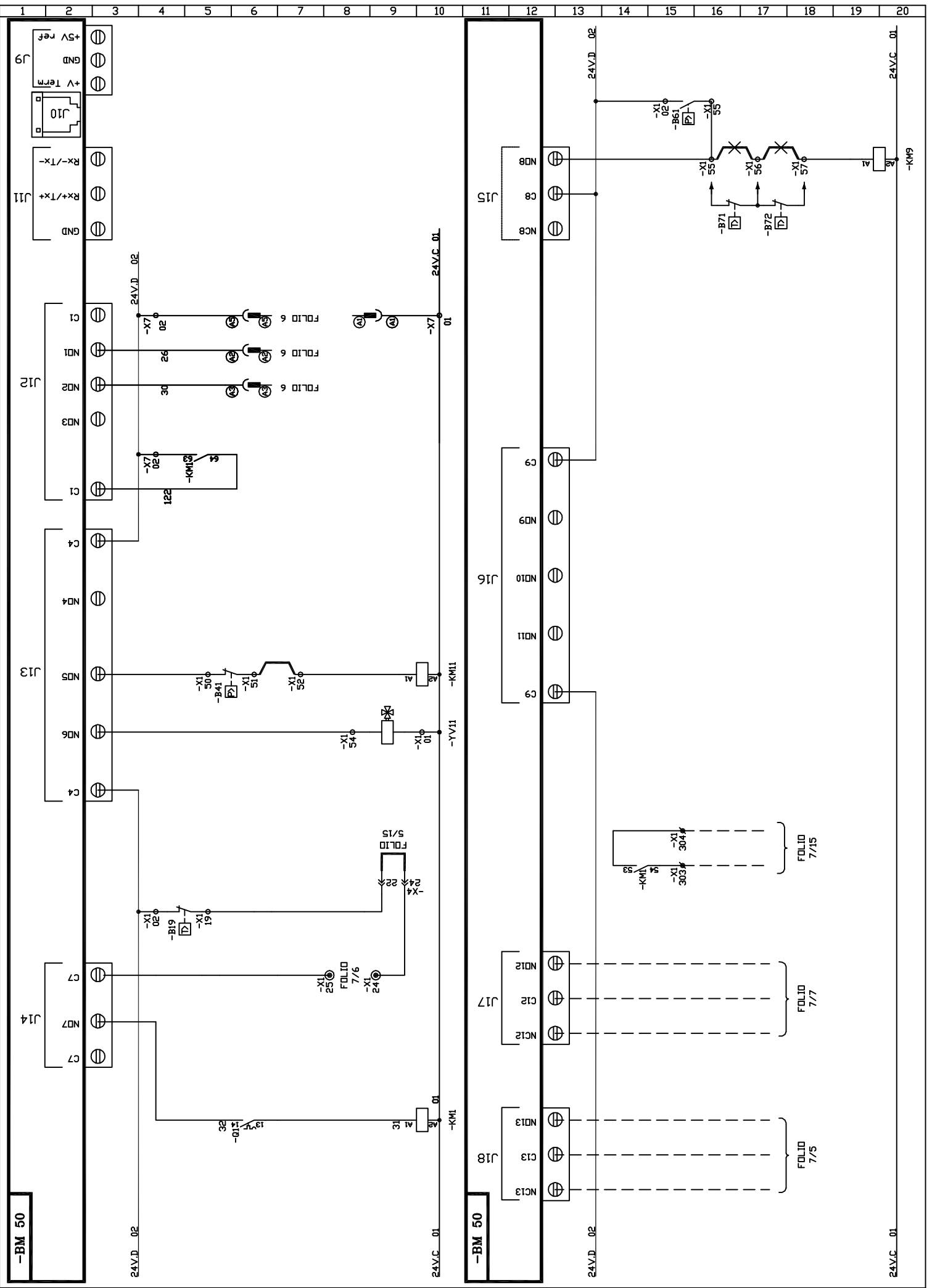
Indice	DATE	NOM	MODIFICATIONS

(1) BHK 035 NS
Entrées Automate CLIMATIC 50
Climatic 50 Controller Input

Dessine: CTO
Date: 11.10.07



257553 3/11



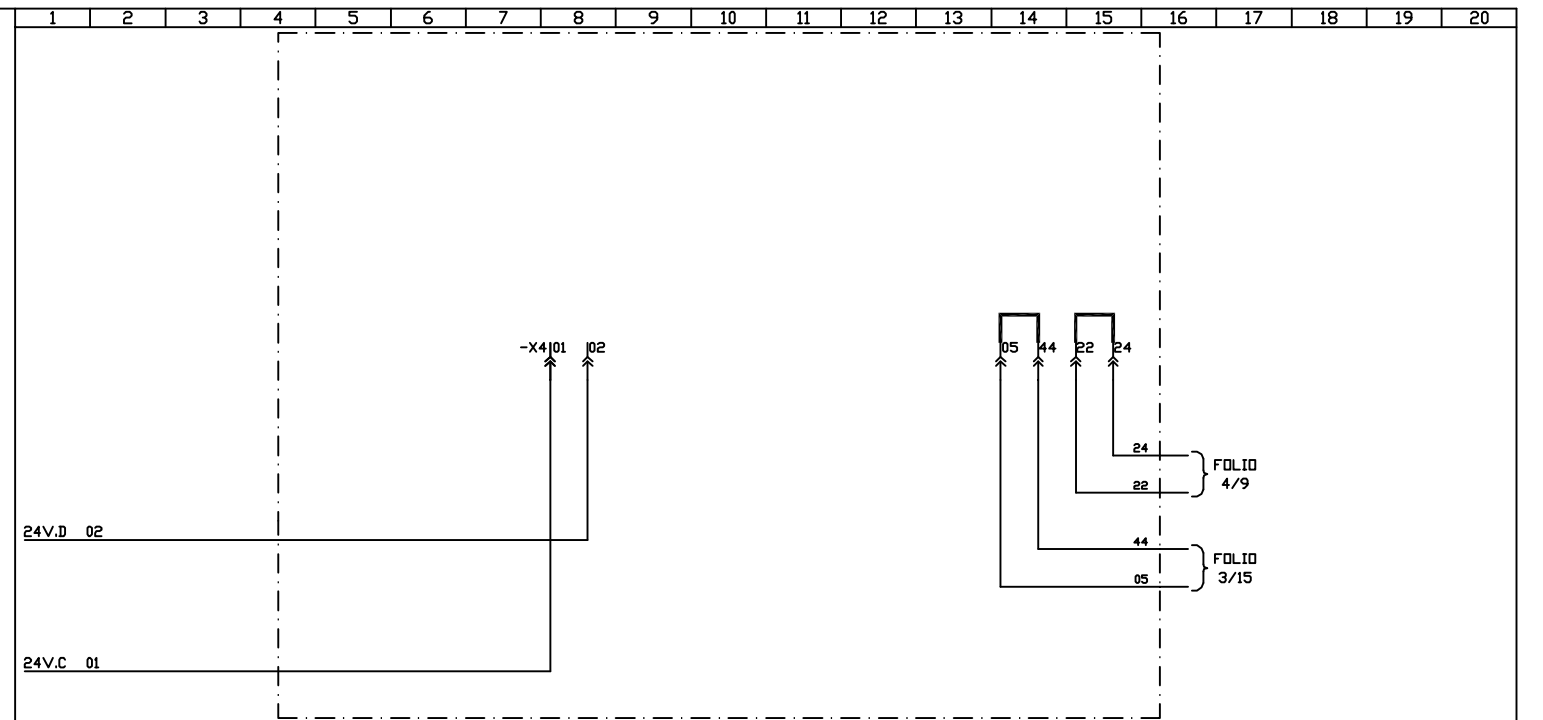
Indice	DATE	NOM	MODIFICATIONS

(1) BHK 035 NS
Sorties Automate CLIMATIC 50
Climatic 50 Controller Outputs

Dessine: CTO
Date: 11.10.07



257553 4/11



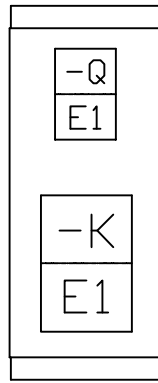
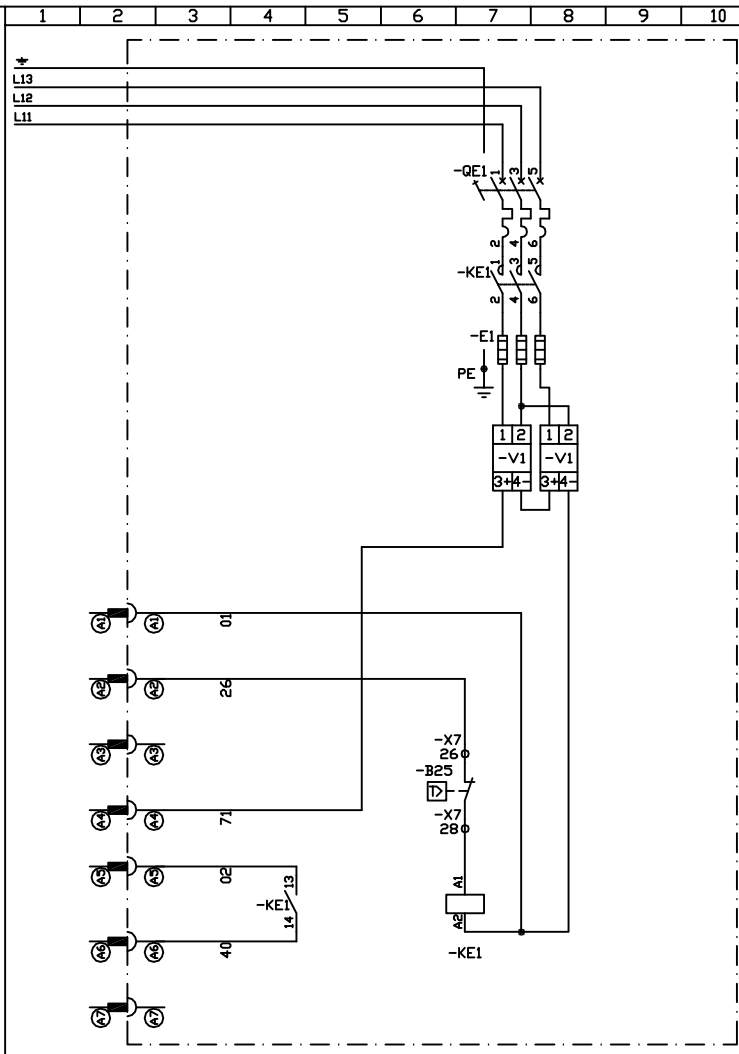
Indice	DATE	NOM	MODIFICATIONS

(1) BHK 035 NS
 DAD \ BE50
 DAD \ BE50

Dessine: CTO
 Date: 11.10.07



257553 5/11



REPERE	REFERENCE	CODE	Nb
-QE1	C60N 80A TRIPOL COURBE C	4480519Z	1
-KE1	LC1 D50 B7	4410656L	1
DISSIPATEUR	REF:26532762	4781303F	1
-V1	G75A REF:84060841	4781301A	2

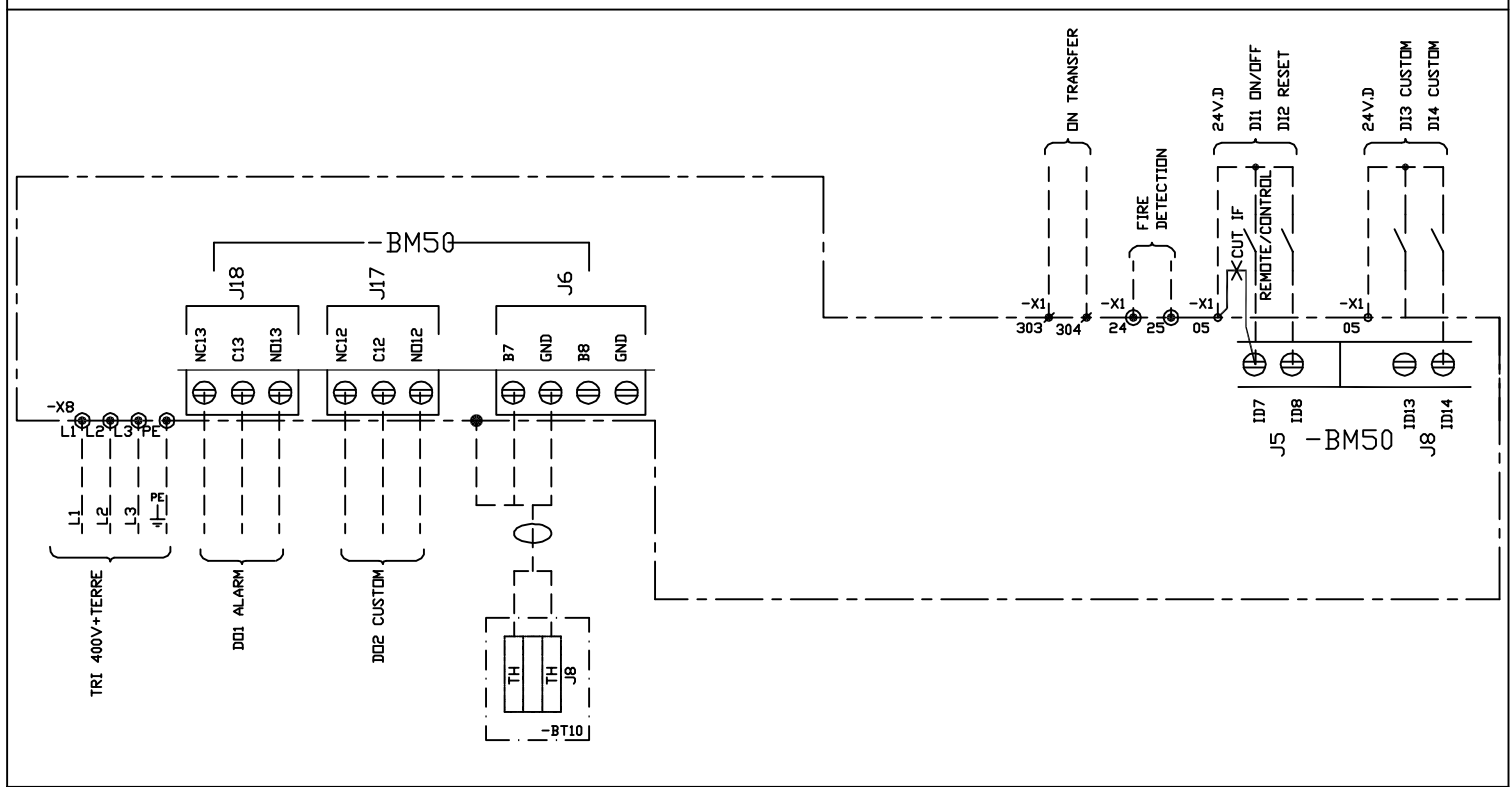
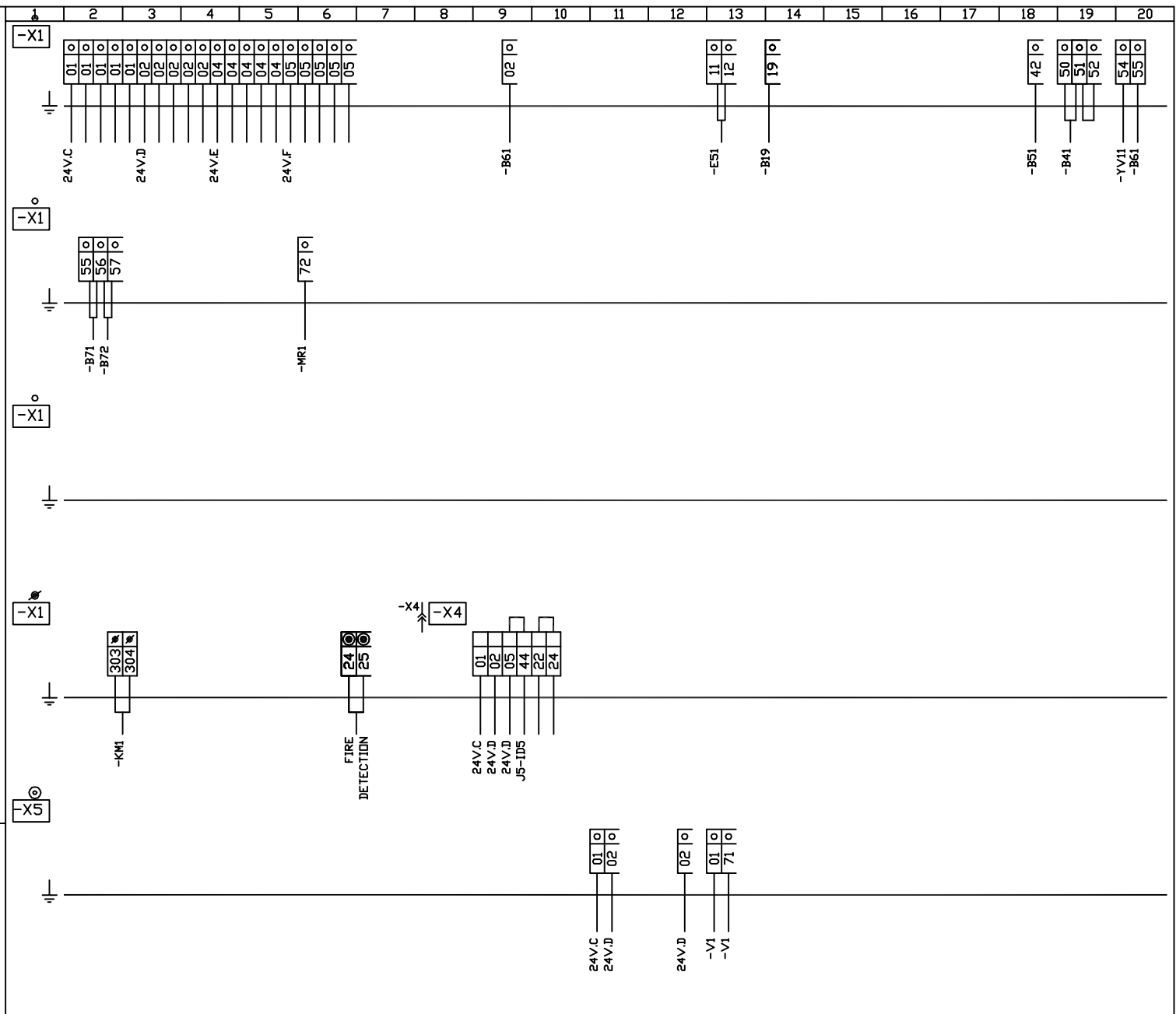
Indice	DATE	NOM	MODIFICATIONS

(1) BHK 035 NS
Kit chauffage
GAS

Dessine: CTO
Date: 11.10.07



257553 6/11



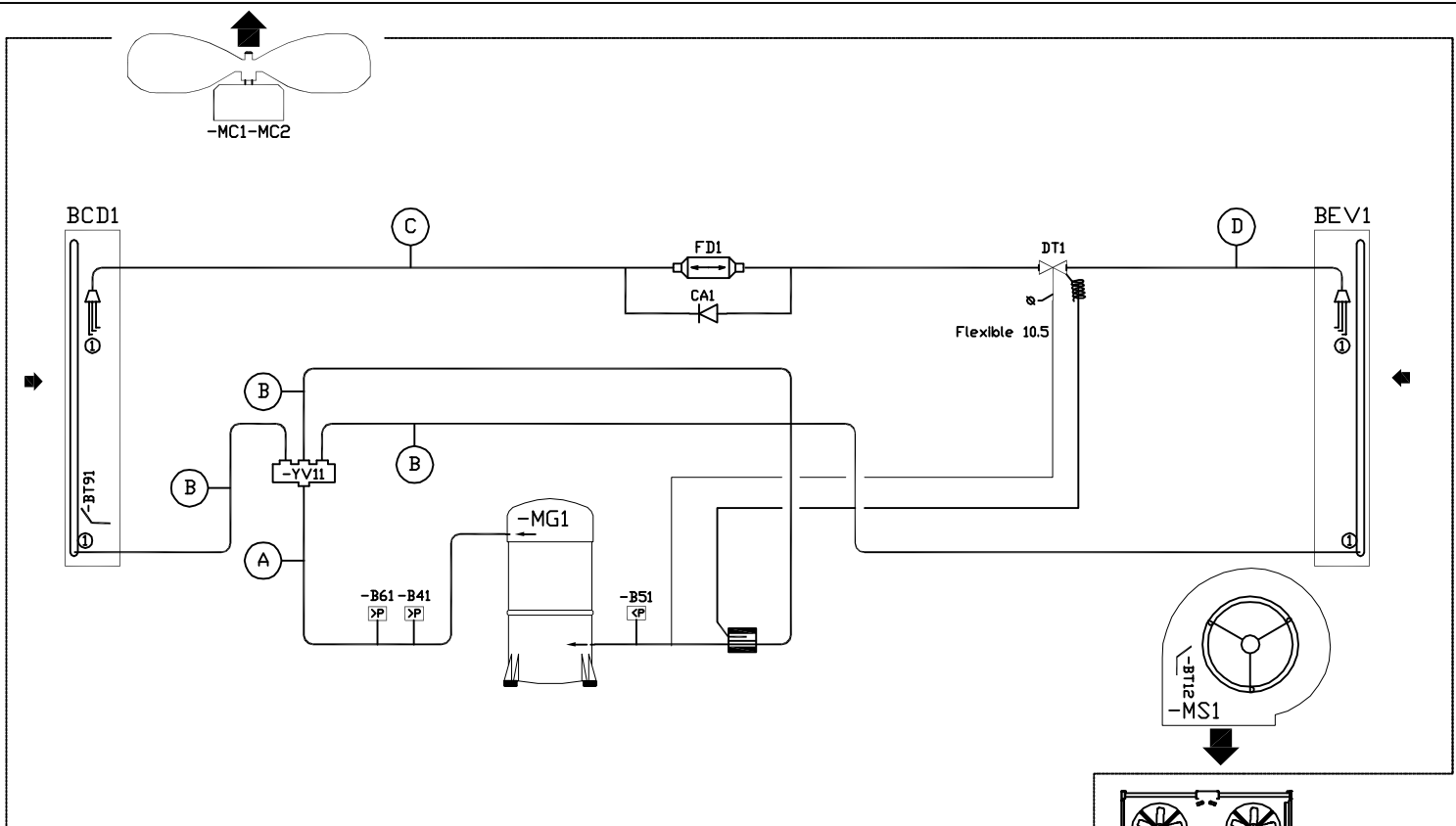
Indice	DATE	NOM	MODIFICATIONS

(1) BHK 035 NS
 Borniers \ Raccordement Client
 Terminal Strip \ Customer

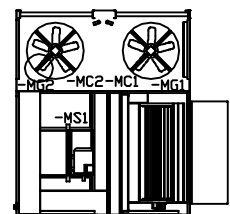
Dessine: CTO
 Date: 11.10.07



257553 7/11



BOX	20/25
D	5/8"
C	1/2"
B	1 1/8"
A	7/8"



Indice	DATE	NOM	MODIFICATIONS

(1) BHK 035 NS
 Schéma Frigorifique \ Hydraulique
 Cooling \ Hydraulic Diagram

Dessine: CTO
 Date: 11.10.07



257553 9/11

