
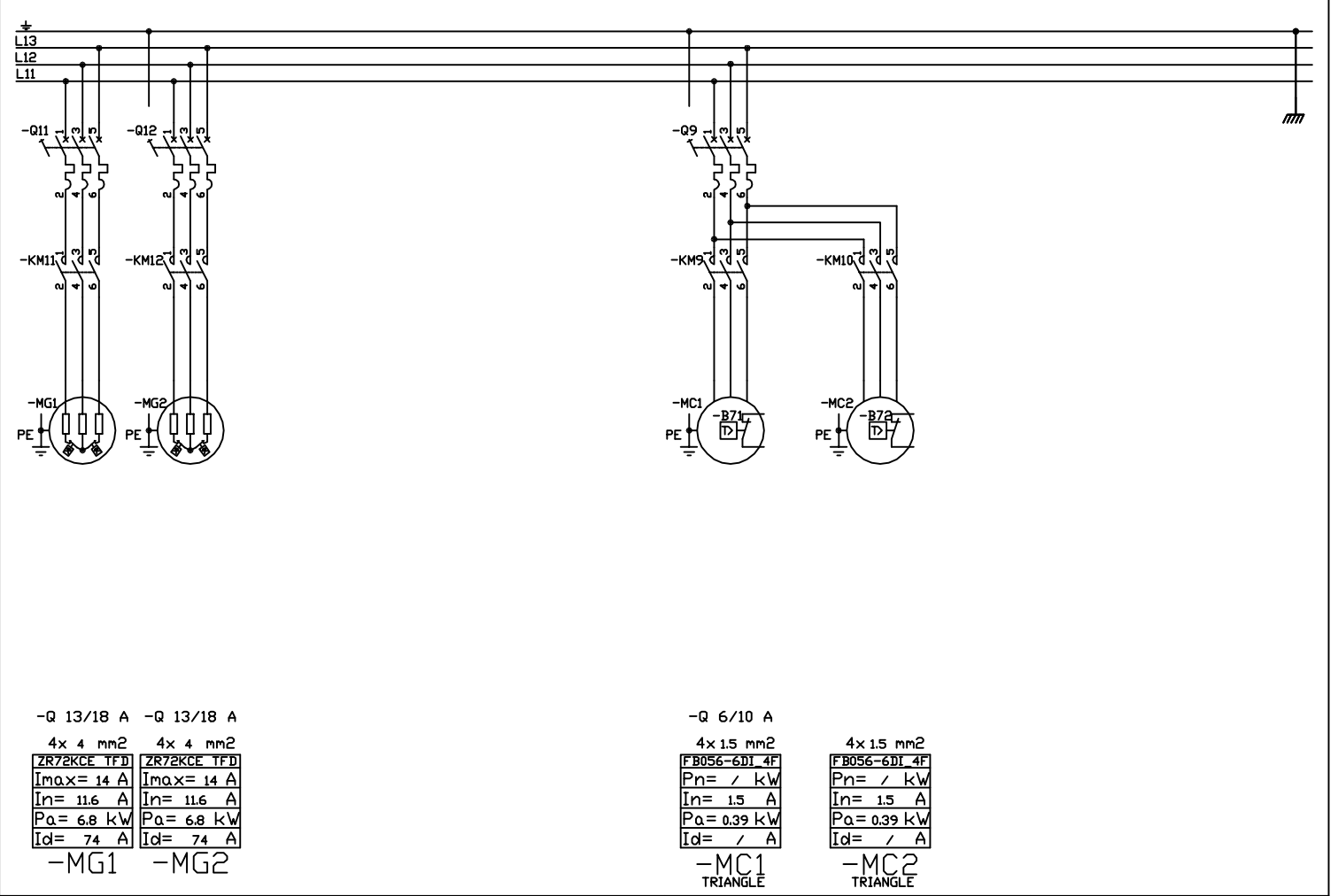
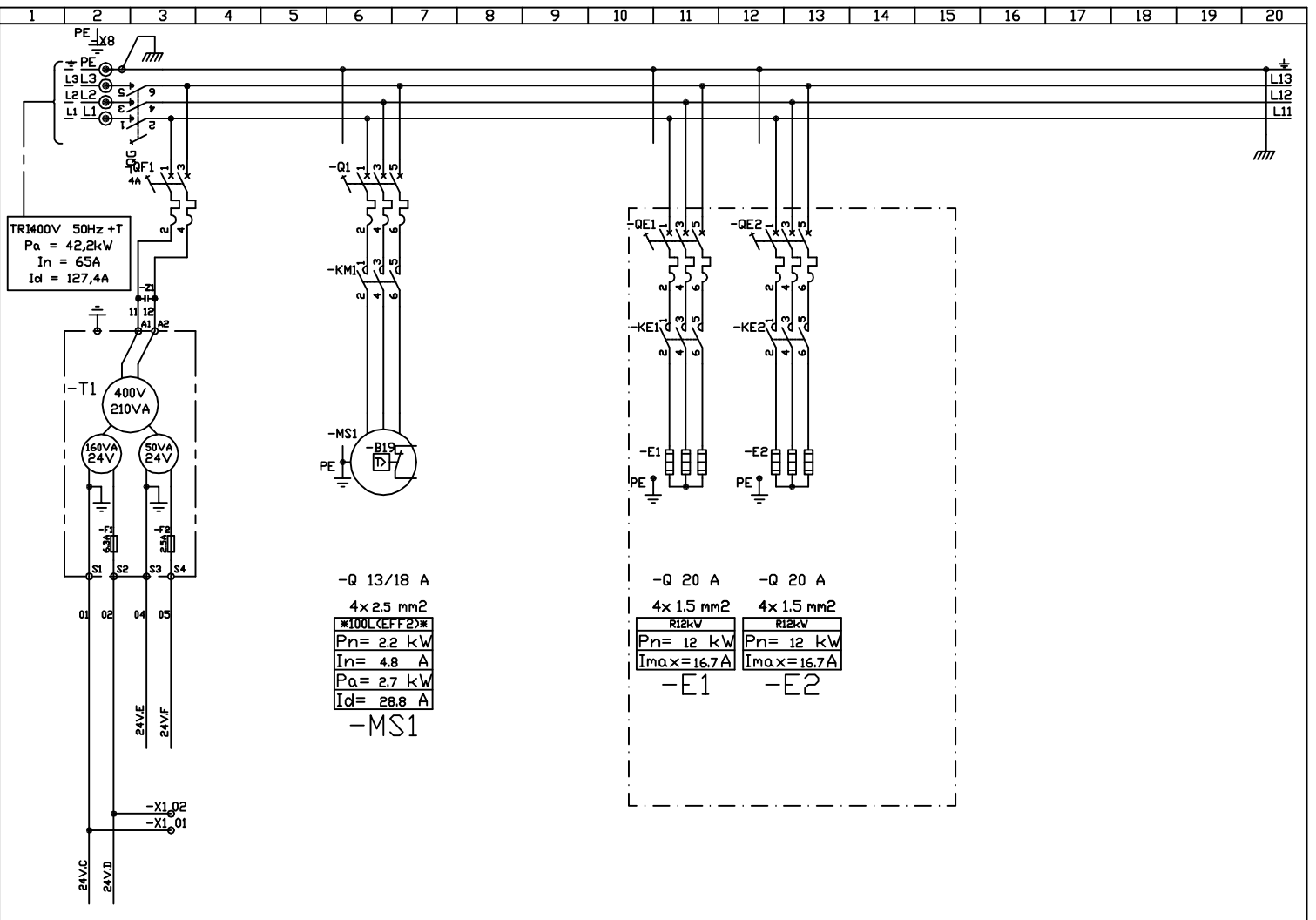
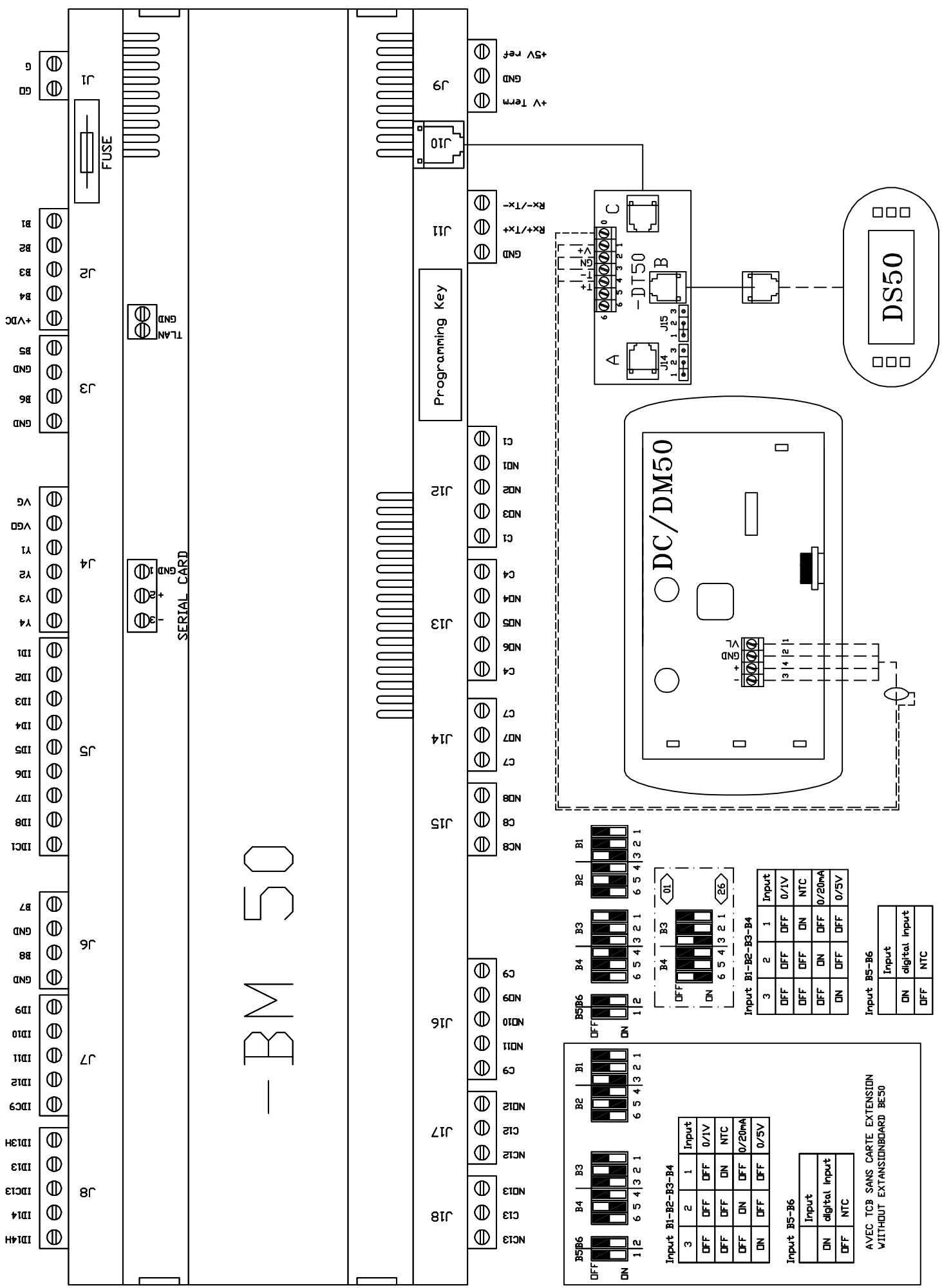
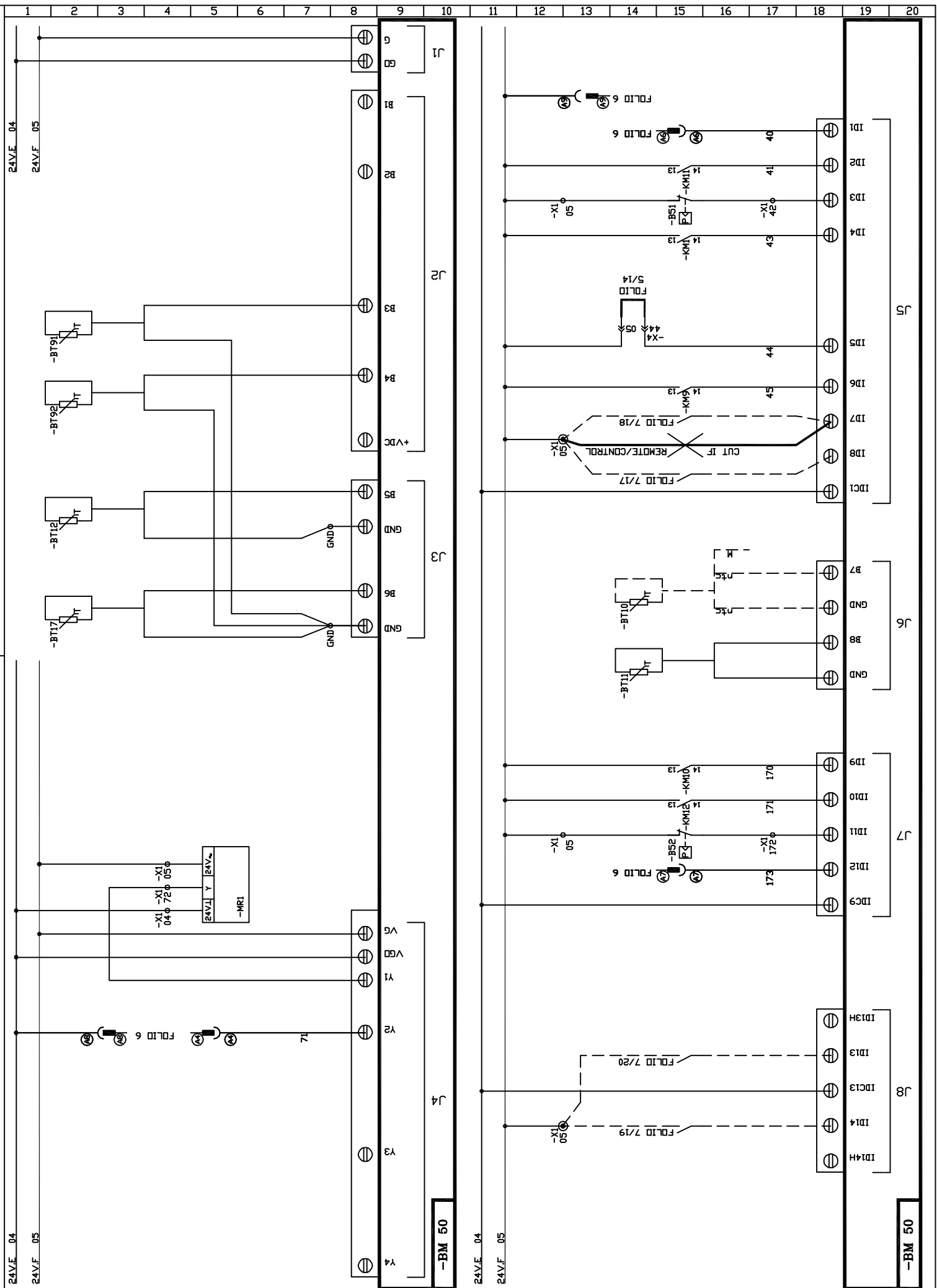


Indice	DATE	NOM	MODIFICATIONS
			
<b>Word of Mouth</b>			
(1) BHK 035 ND <b>LENNOX UK</b>		Dessine: CTO Date: 29.04.08	PAGE DE GARDE <div style="border: 1px solid black; padding: 2px;">           260669 <span style="float: right;">0/10</span> </div>







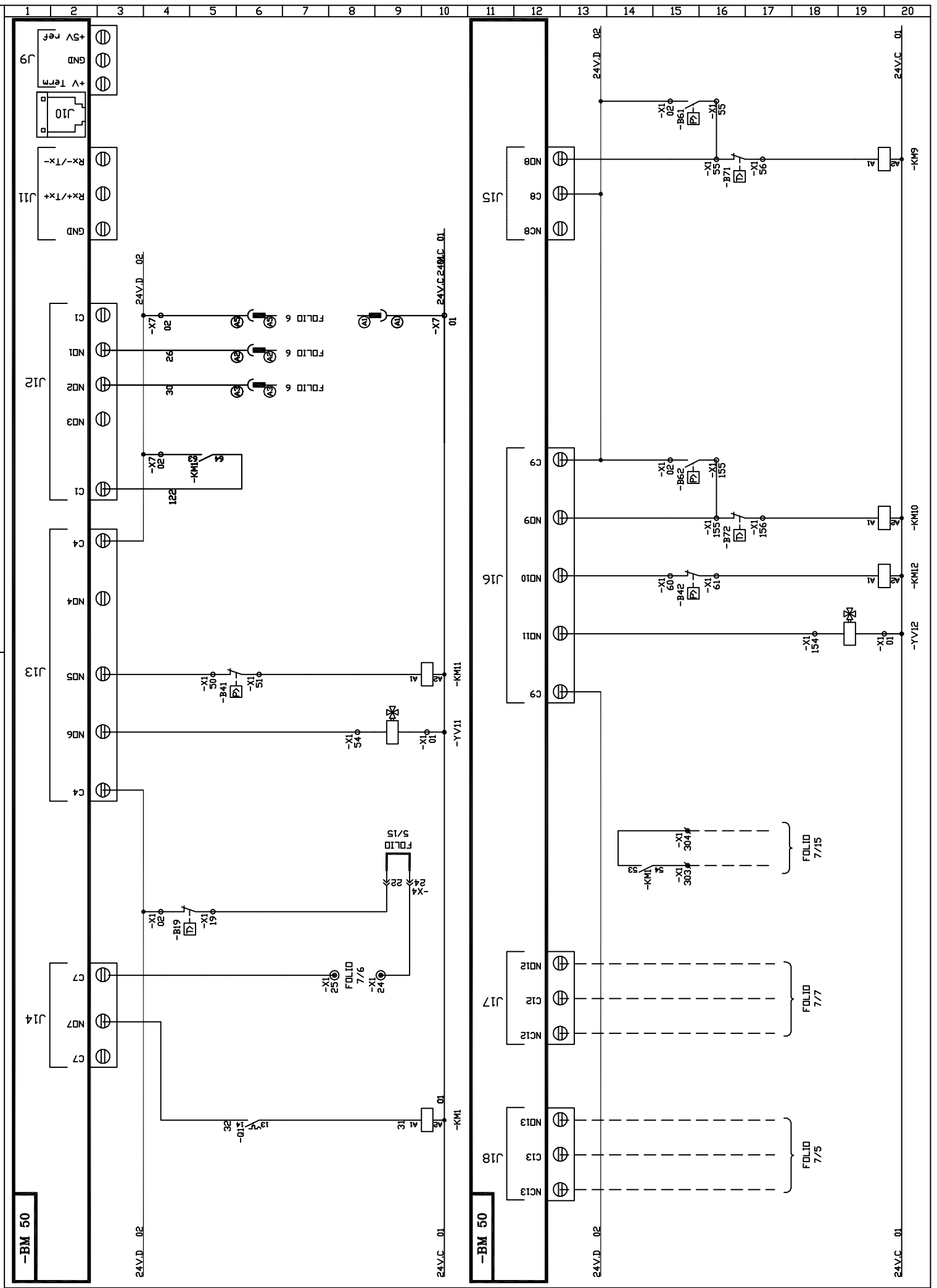
Indice	DATE	NOM	MODIFICATIONS

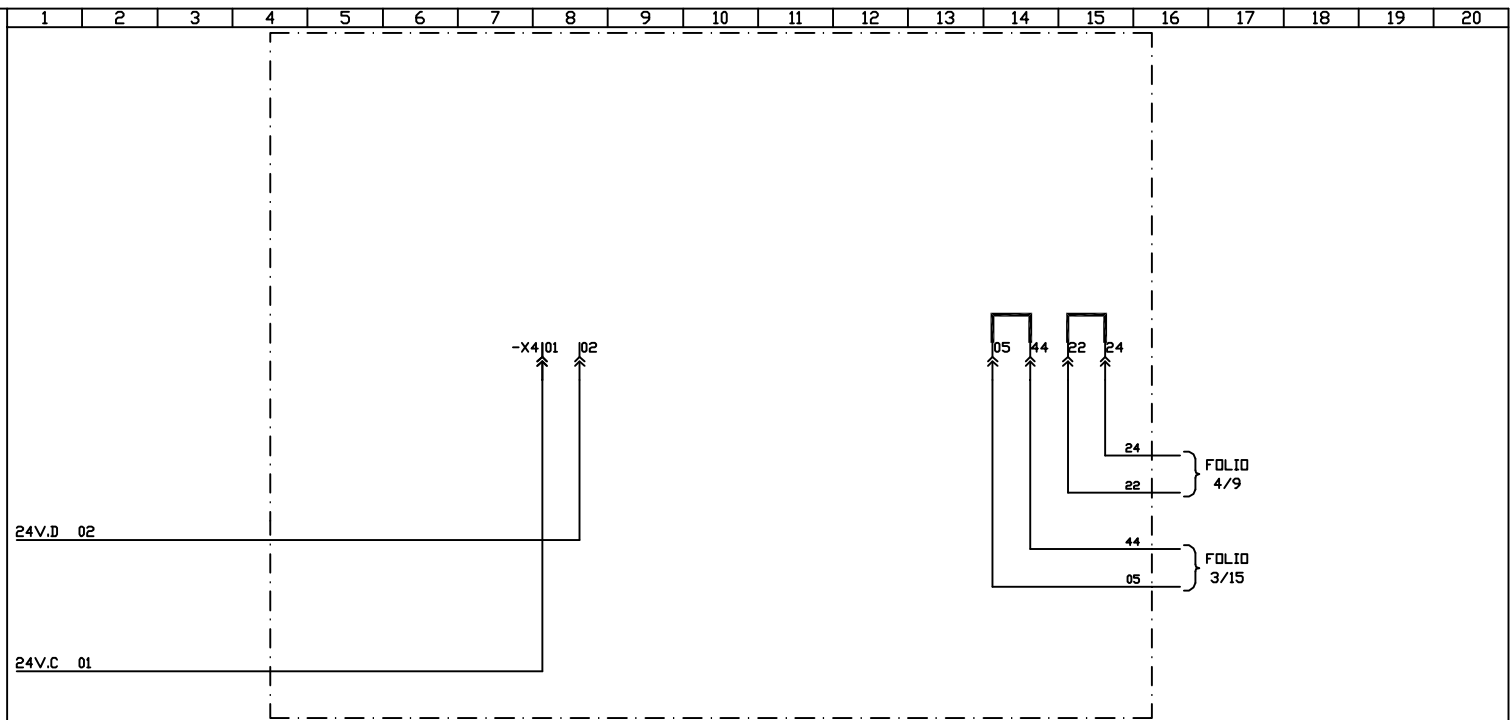
(1) BHK 035 ND  
Entrées Automate CLIMATIC 50

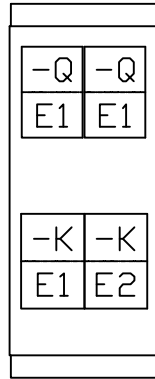
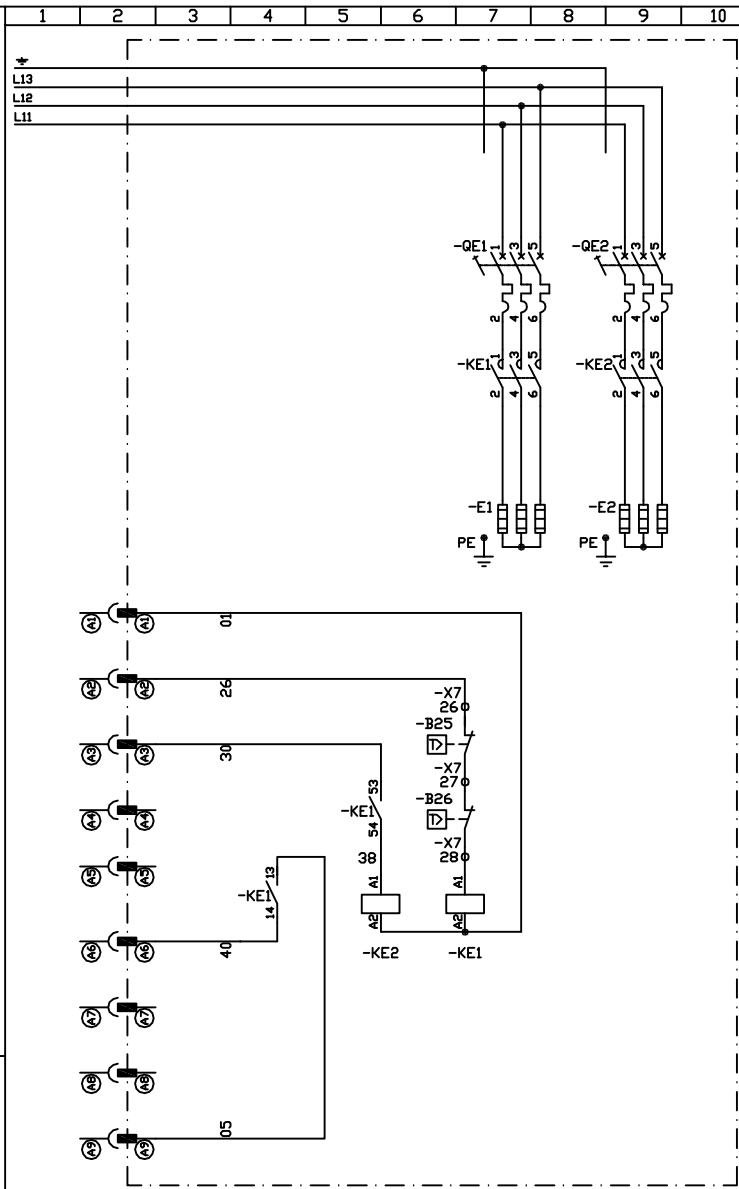
Dessine: CTO  
Date: 29.04.08



260669 3/10







REPERE	REFERENCE	CODE	Nb
-QE1	C60N 20A TRIPDL COURBE C	4480513R	1
-QE2	C60N 20A TRIPDL COURBE C	4480513R	1
-KE1	LC1 D0910 B7	4410650A	1
-KE1	LA1 DN11	5410082F	1
-KE2	LC1 D0910 B7	4410650A	1

Indice	DATE	NOM	MODIFICATIONS

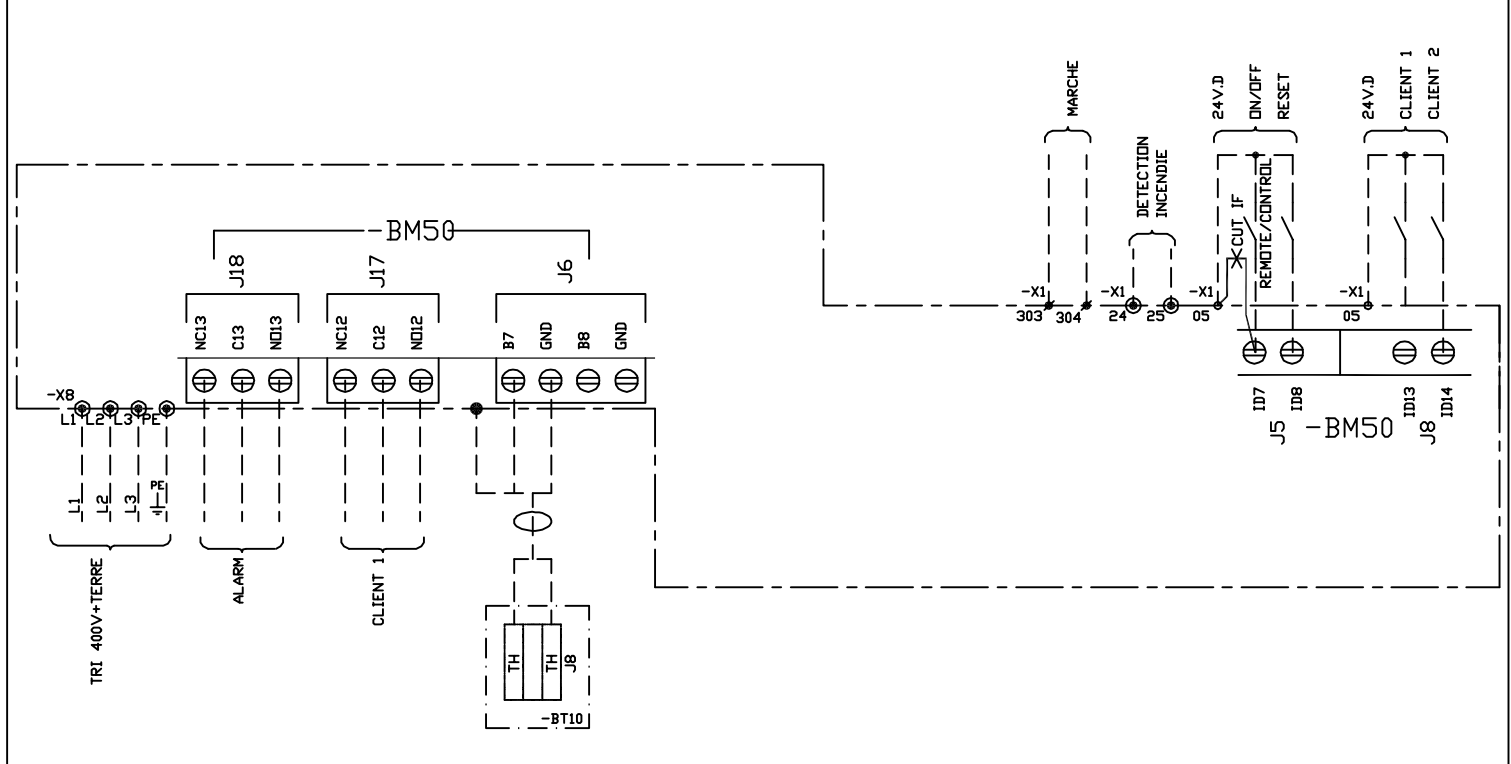
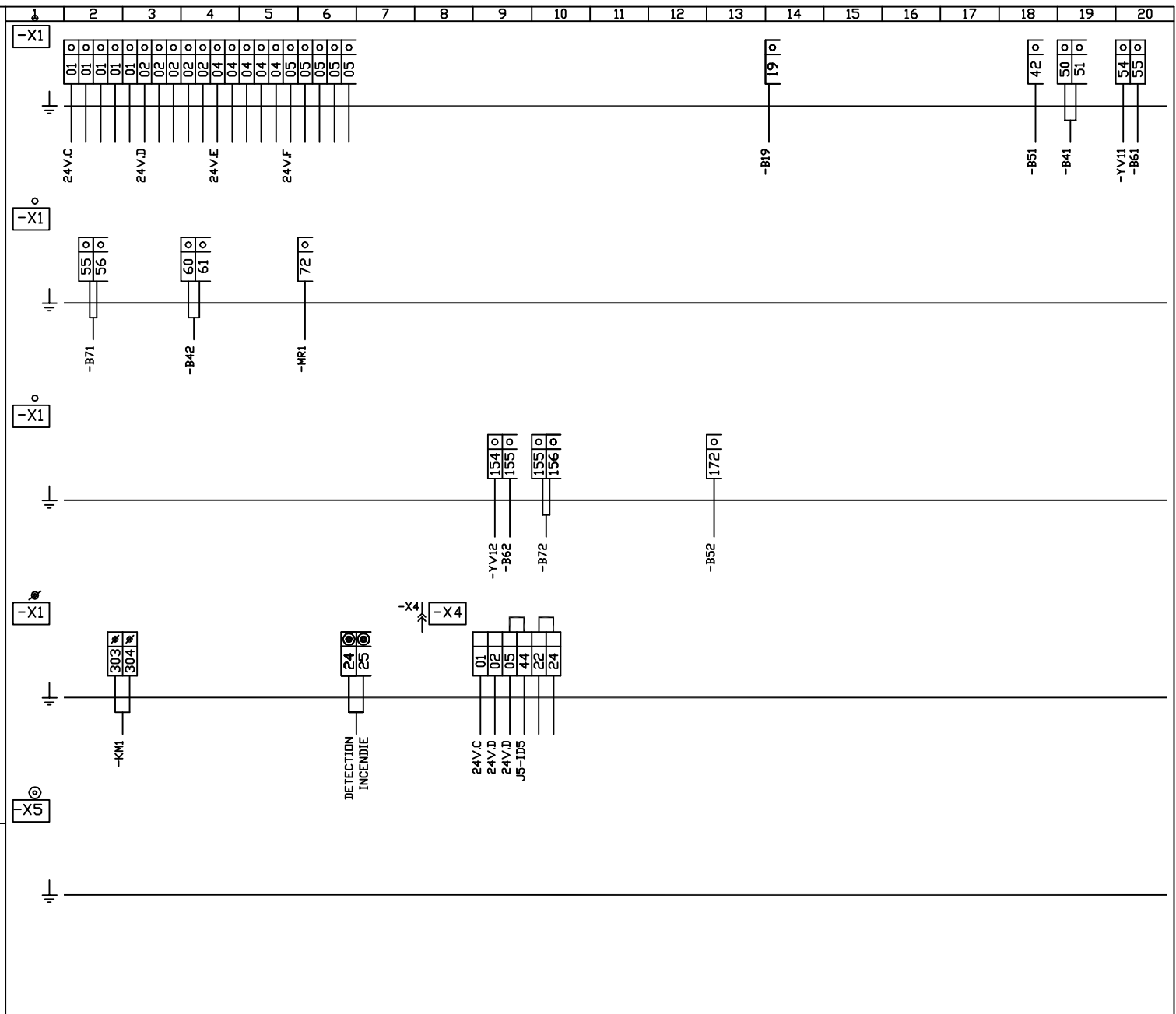
(1) BHK 035 ND  
Kit chauffage

Dessine: CTO  
Date: 29.04.08

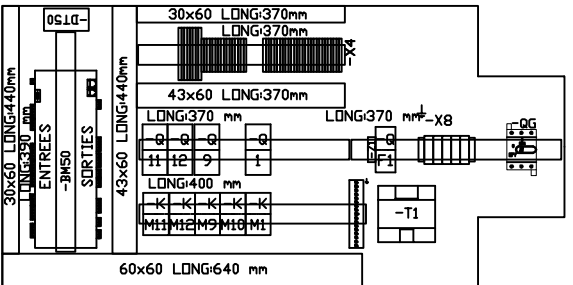


260669

6/10



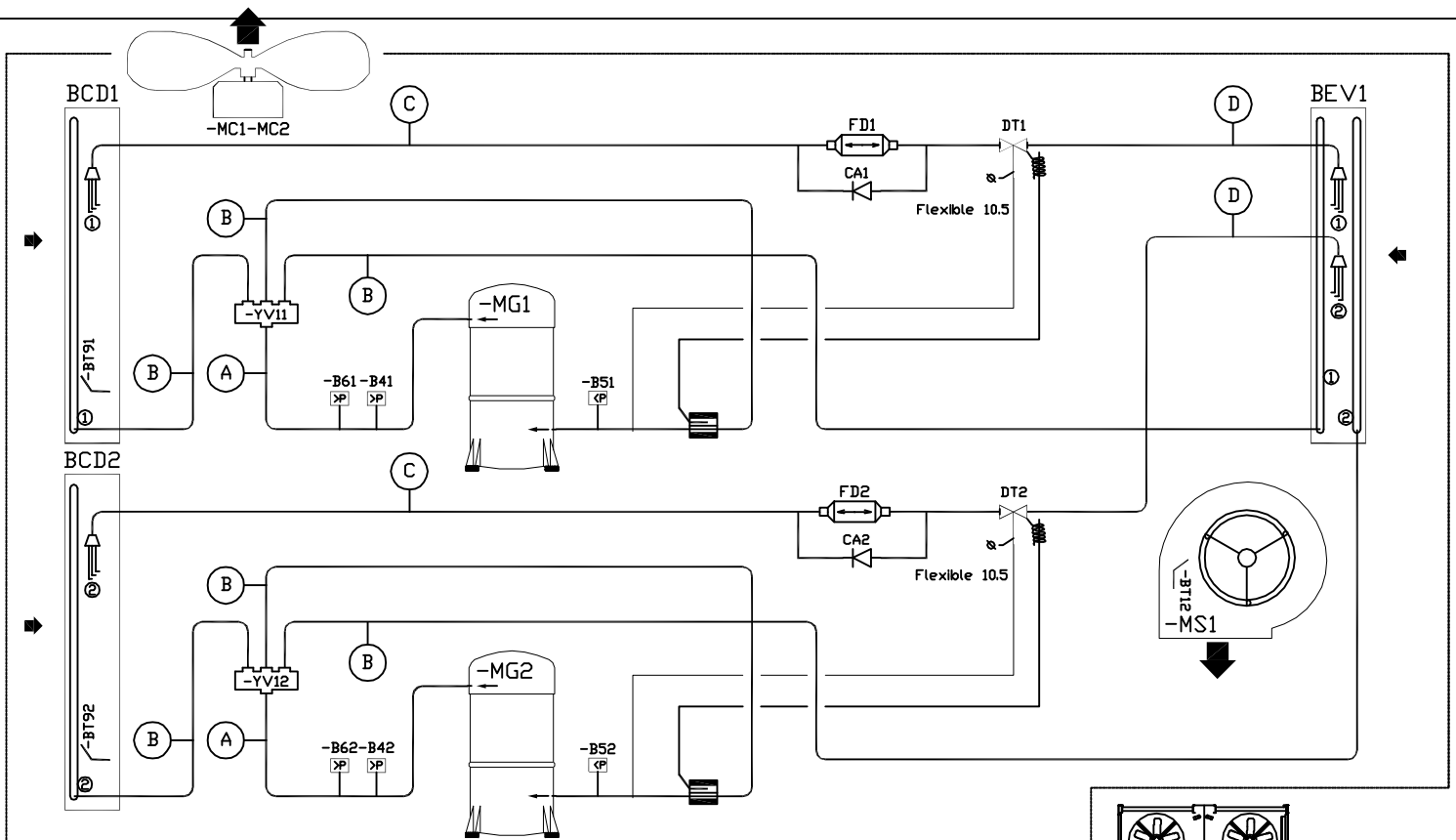




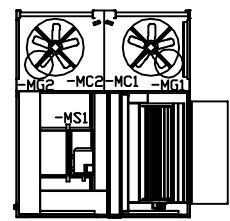
REPERE	REFERENCE	CODE	Nb
-QG	INTER DT 63 E3	4480657E	1
-QG	POIGNEE DE MANOEUVRE DHY2AJ	4480661L	1
-QG	ARBRE DE MANOEUVRE DXS 5x160	4480660J	1
PRDFIL	OMEGA 35x7.5x1.5 LONG:160mm	5740142E	1
BARRETTE	TYPE MG 14979	5470186T	1
-QF1	C60N 24580 4A BIPOL COURBE D	4480591H	1
-T1	210VA 400V/24V/24V	4430135H	1
-Z1	LRC V2-0.22-220/400V	4770010X	1

REPERE	REFERENCE	CODE	Nb
-Q1	GV2 M20 13/18 A	4410850W	1
-Q1	GV2 AE 113	4410891J	1
-KM1	LC1 D12 B7	4410651E	1
-KM1	LA DN403	5410092V	1

REPERE	REFERENCE	CODE	Nb
-BMS0	CLIMATIC 50 2Mega	4770607Z	1
-DT50	-DT50	4770623Y	1
BORNIER	D2.5/5.SNBT.2L ORANGE	5470163K	2
	PLAQUE DE FERMETURE FED5.2L	5470512X	1
	D2.5/5.2L GRISE	5470200N	20
	PLAQUE DE FERMETURE FED5.2L	5470235P	1
	D2.5/5.4L GRISE 24V.C.D	5470270R	10
	PLAQUE DE FERMETURE FED5.4L	5470273W	1
	BARRETTE DE JONCTION 3 POLES	5470277A	4
BORNIER-X8			
	M35/16	5470212H	1
	M35/16	5470204V	3
	PLAQUE DE FERMETURE	5470237T	1
BUTEE	I03 002 26	5470240X	2
	BARRETTE DE JONCTION 2 POLES	5470276Z	2
-Q11-Q12	GV2 M203 13/18 A	4410883W	2
-KM11-KM12	LC1 D123 B7	4410651E	2
-Q9	GV2 M14 6/10A	4410848T	1
-KM9	LC1 D09 B7	4410650A	1
-KM10	LC1 D09 B7	4410650A	1



B0X	30/35	40	-MG1	45	-MG2	50	60	70
D	5/8"	5/8"	5/8"	7/8"	7/8"	7/8"	7/8"	7/8"
C	1/2"	1/2"	1/2"	5/8"	5/8"	5/8"	5/8"	5/8"
B	7/8"	1 1/8"	1 1/8"	1 1/8"	1 1/8"	1 1/8"	1 1/8"	1 3/8"
A	5/8"	7/8"	7/8"	7/8"	7/8"	7/8"	7/8"	7/8"



Indice	DATE	NOM	MODIFICATIONS

(1) BHK 035 ND  
Schéma Frigorifique \ Hydraulique

Dessine: CTO  
Date: 29.04.08



260669 9/10

