
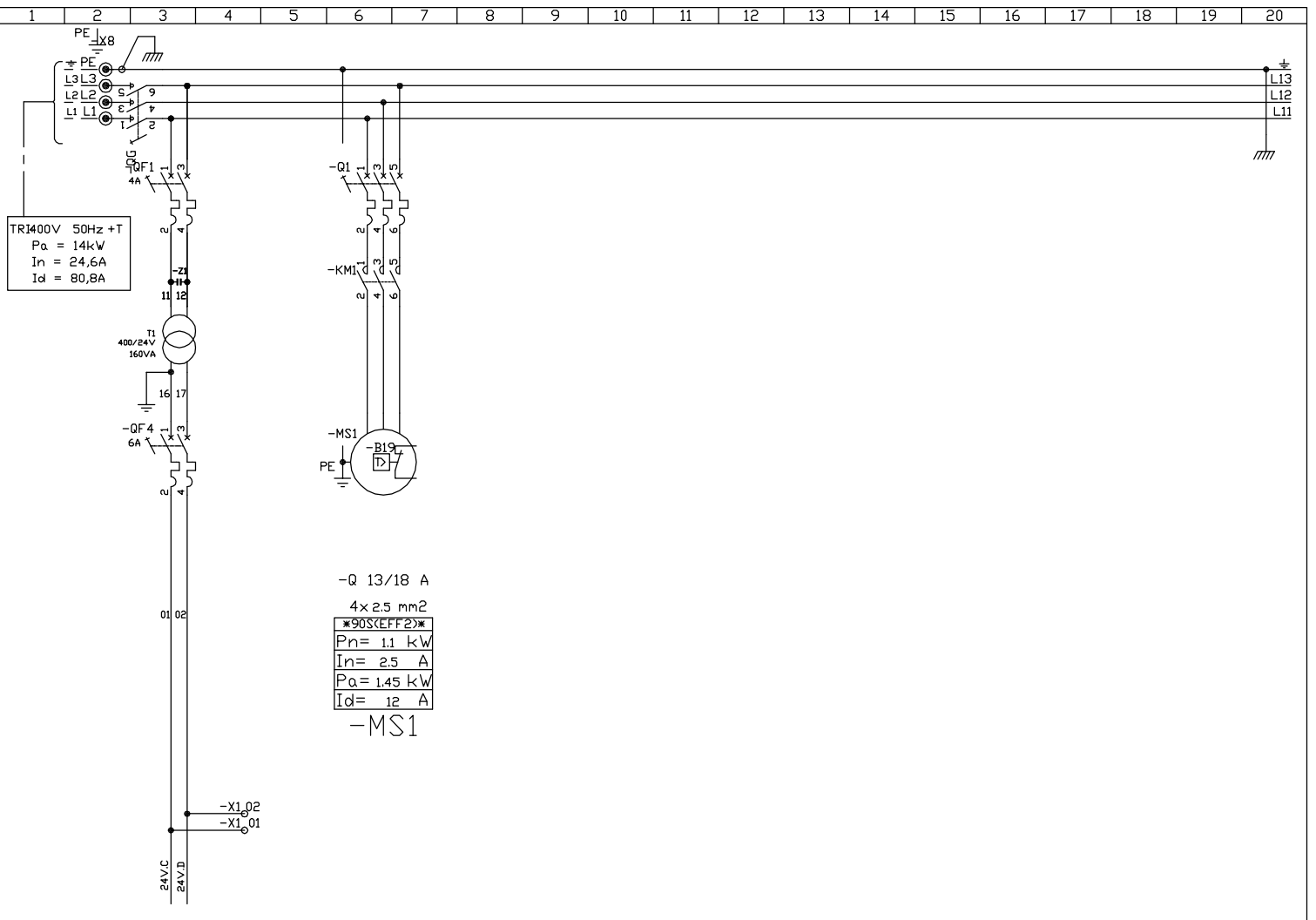
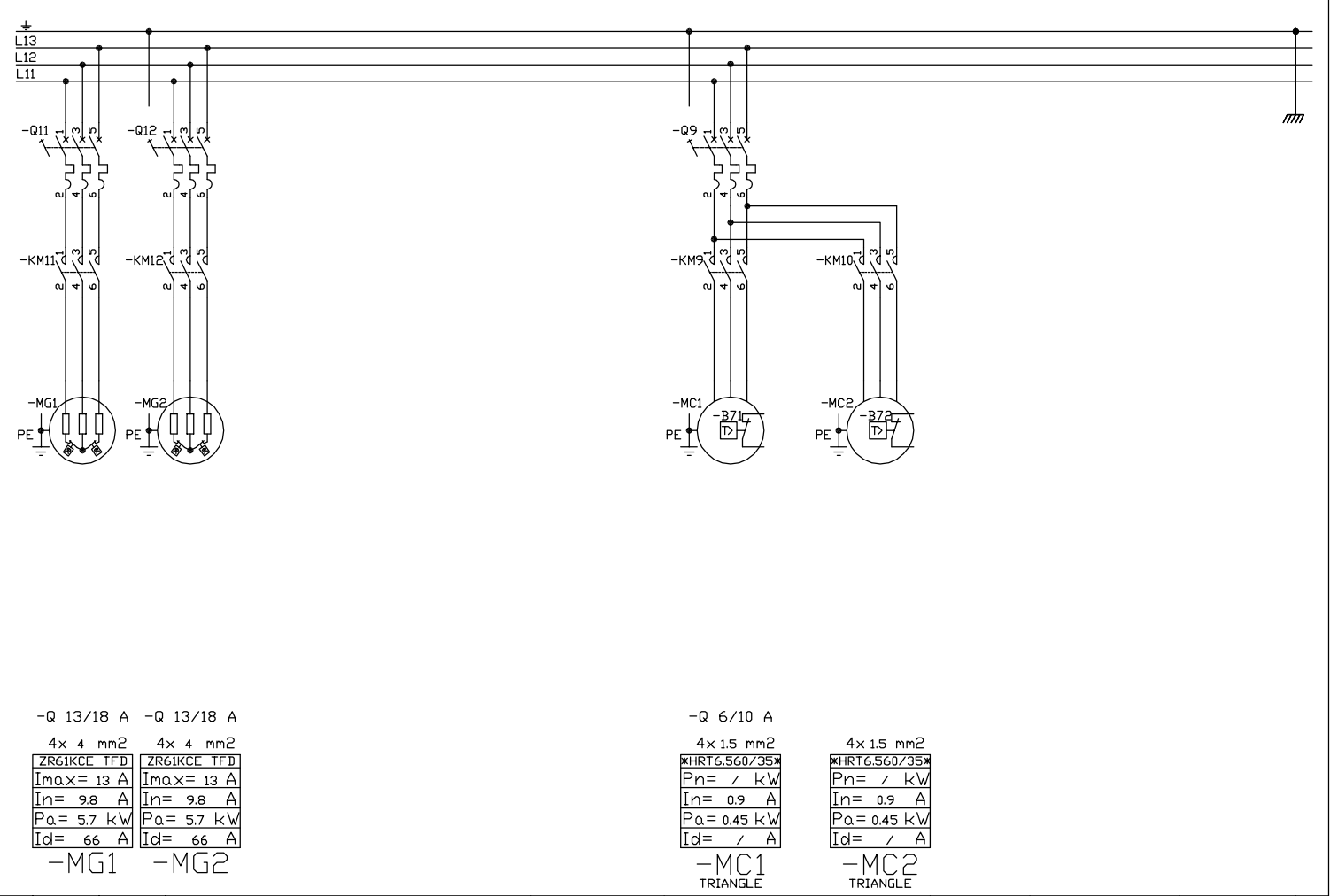


Indice	DATE	NOM	MODIFICATIONS		
					
<b>Addison Road</b>					
(1) BHK 030 ND <b>LENNOX UK</b>		Dessine: CTO Date: 10.10.06	PAGE DE GARDE <table border="1" style="float: right;"> <tr> <td>250810</td> <td>0 / 11</td> </tr> </table>	250810	0 / 11
250810	0 / 11				



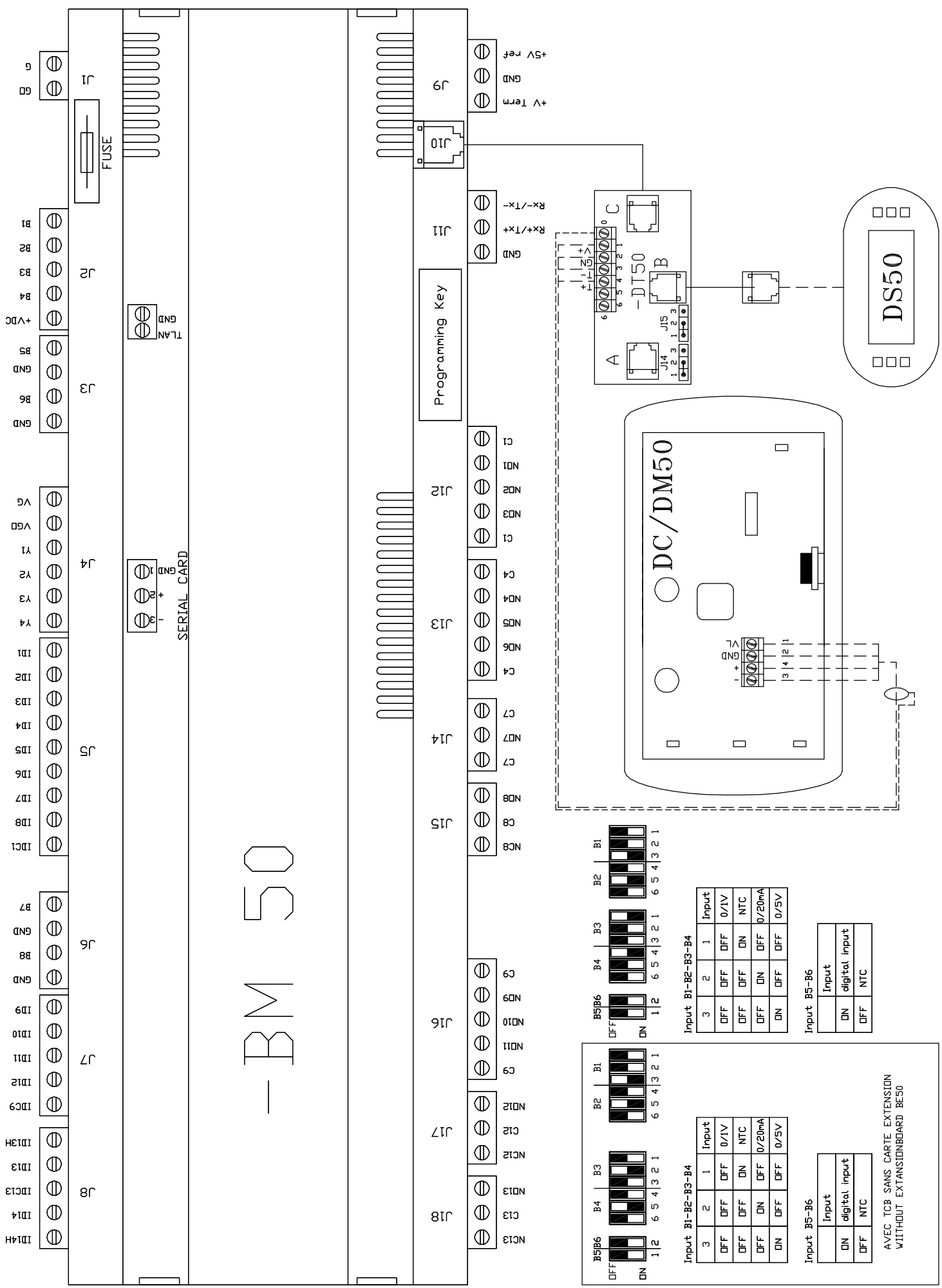
-Q 13/18 A  
 4x 2.5 mm<sup>2</sup>  
 \*90S(EFF2)\*  
 P<sub>n</sub> = 1.1 kW  
 I<sub>n</sub> = 2.5 A  
 P<sub>a</sub> = 1.45 kW  
 I<sub>d</sub> = 12 A  
 -MS1

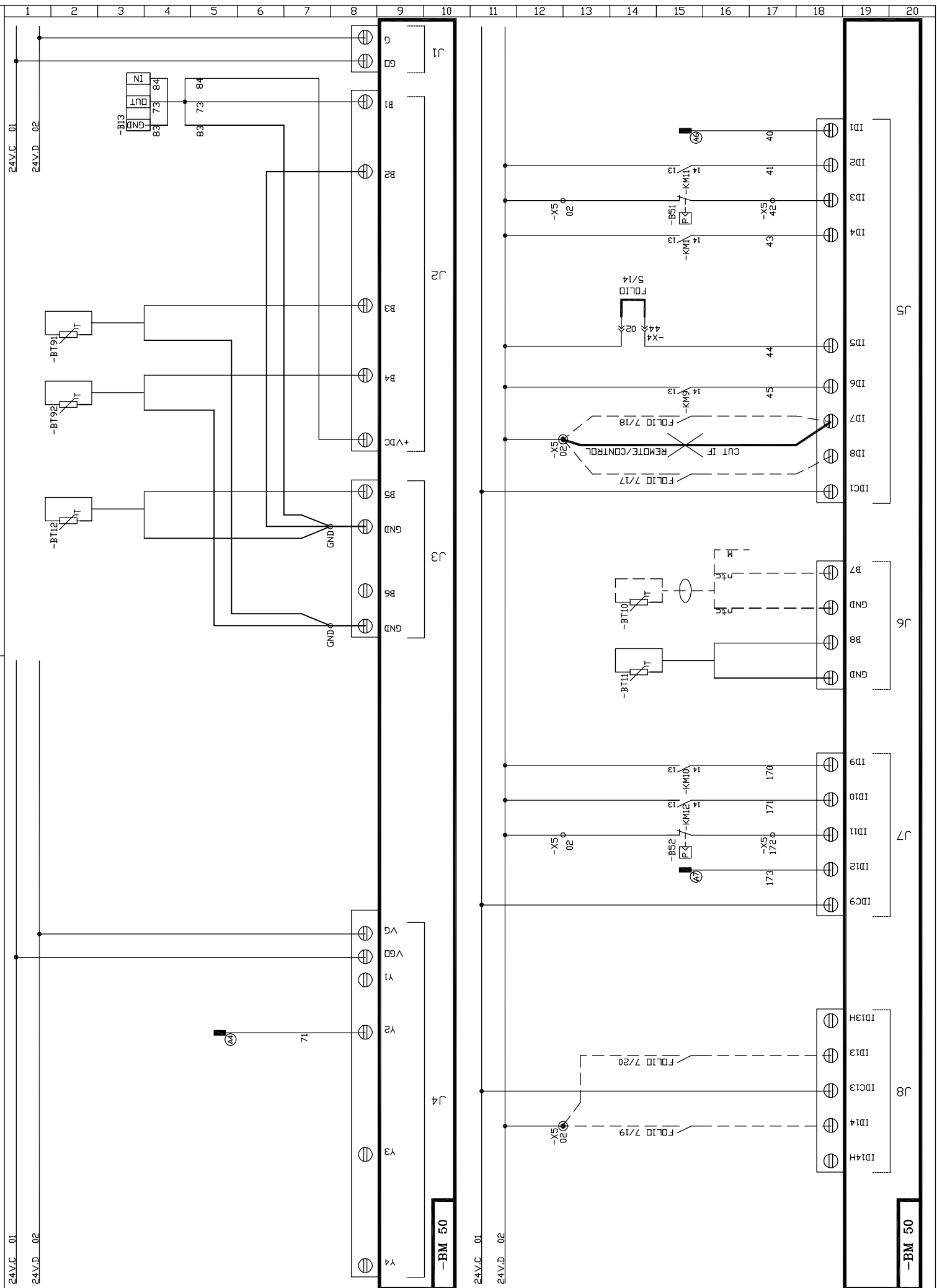


-Q 13/18 A -Q 13/18 A  
 4x 4 mm<sup>2</sup> 4x 4 mm<sup>2</sup>  
 ZR61KCE TFD ZR61KCE TFD  
 I<sub>max</sub> = 13 A I<sub>max</sub> = 13 A  
 I<sub>n</sub> = 9.8 A I<sub>n</sub> = 9.8 A  
 P<sub>a</sub> = 5.7 kW P<sub>a</sub> = 5.7 kW  
 I<sub>d</sub> = 66 A I<sub>d</sub> = 66 A  
 -MG1 -MG2

-Q 6/10 A  
 4x 1.5 mm<sup>2</sup>  
 \*HRT6.560/35\*  
 P<sub>n</sub> = / kW  
 I<sub>n</sub> = 0.9 A  
 P<sub>a</sub> = 0.45 kW  
 I<sub>d</sub> = / A  
 -MC1  
 TRIANGLE

4x 1.5 mm<sup>2</sup>  
 \*HRT6.560/35\*  
 P<sub>n</sub> = / kW  
 I<sub>n</sub> = 0.9 A  
 P<sub>a</sub> = 0.45 kW  
 I<sub>d</sub> = / A  
 -MC2  
 TRIANGLE





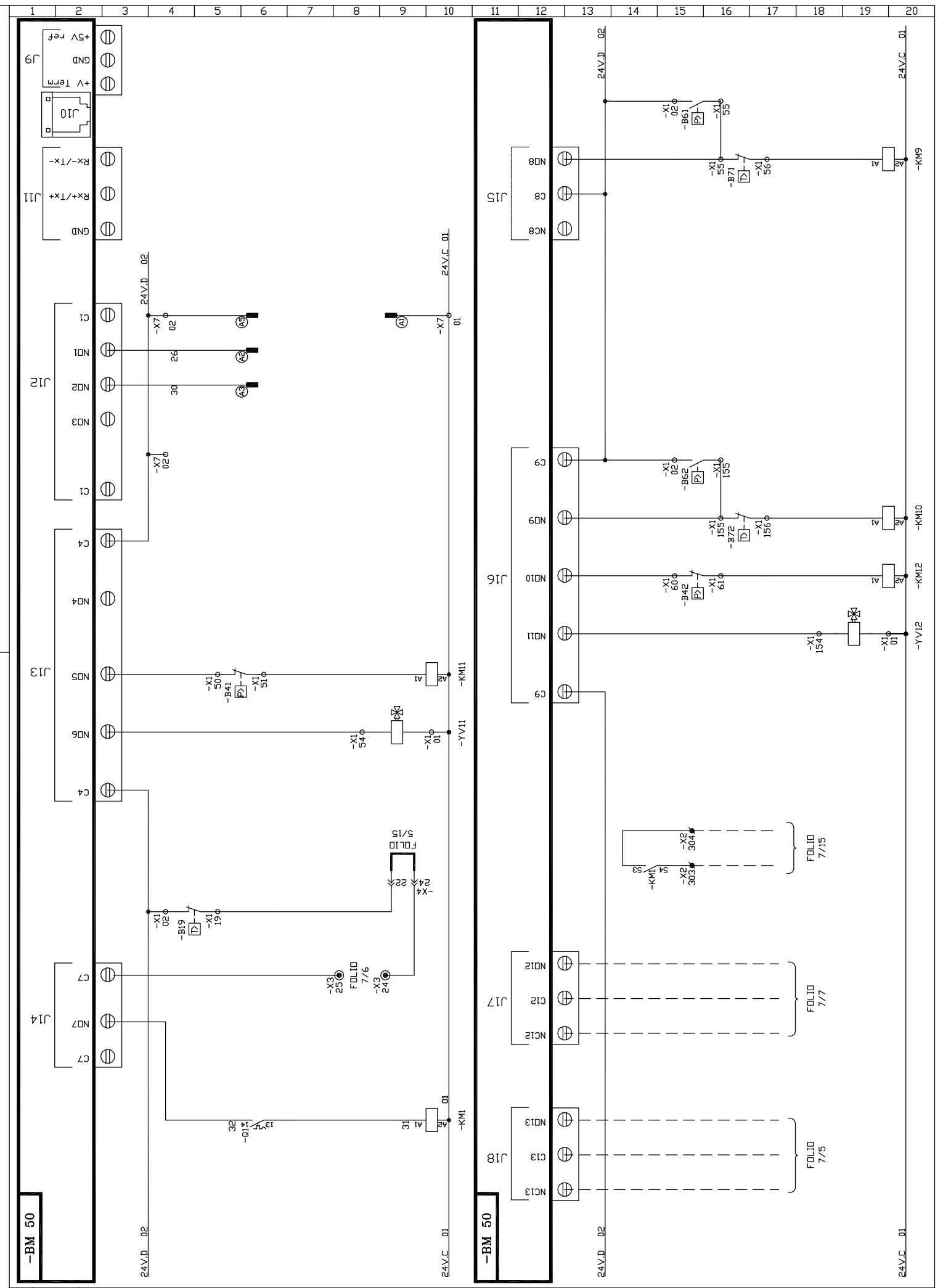
Indice	DATE	NOM	MODIFICATIONS

(1) BHK 030 ND  
Entrées Automate CLIMATIC 50  
Climatic 50 Controller Input

Dessine: CTO  
Date: 10.10.06



250810 3/11

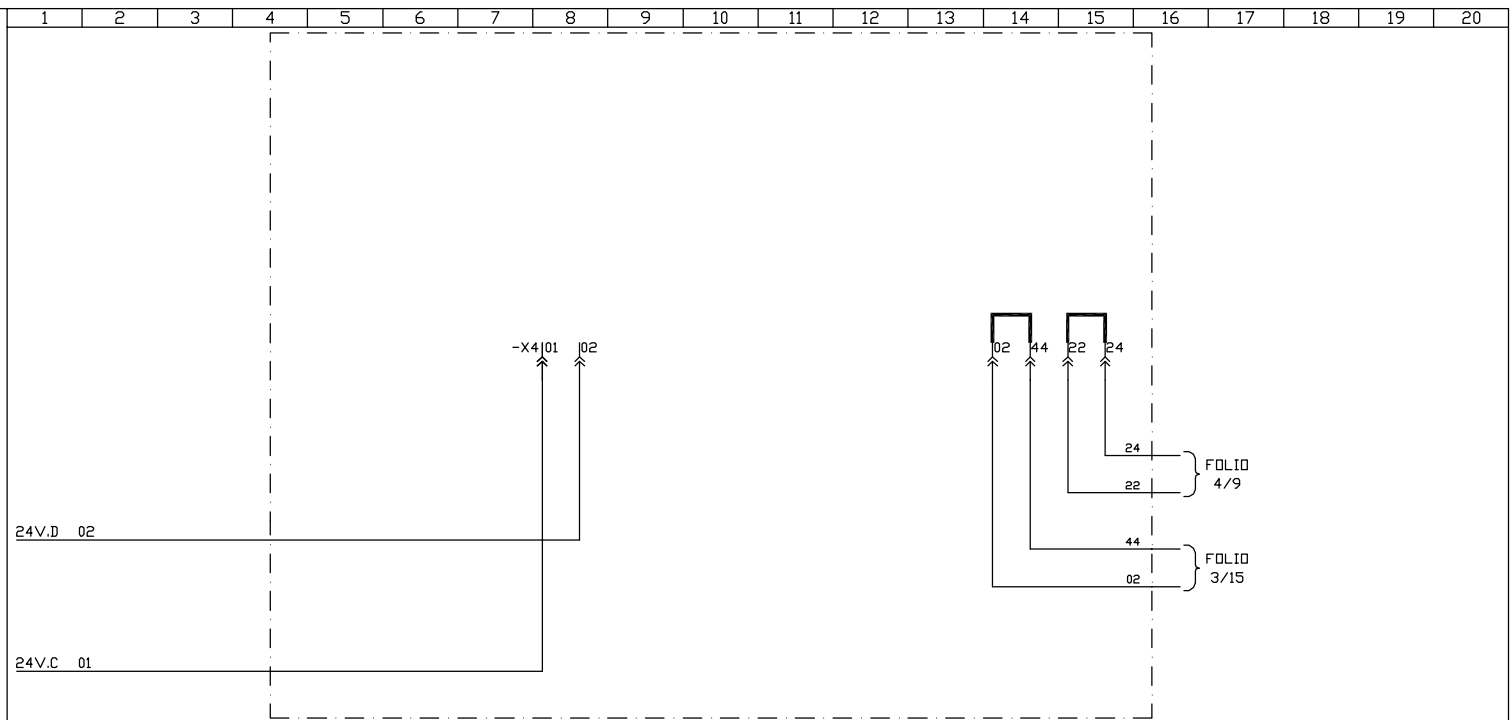


Indice	DATE	NOM	MODIFICATIONS

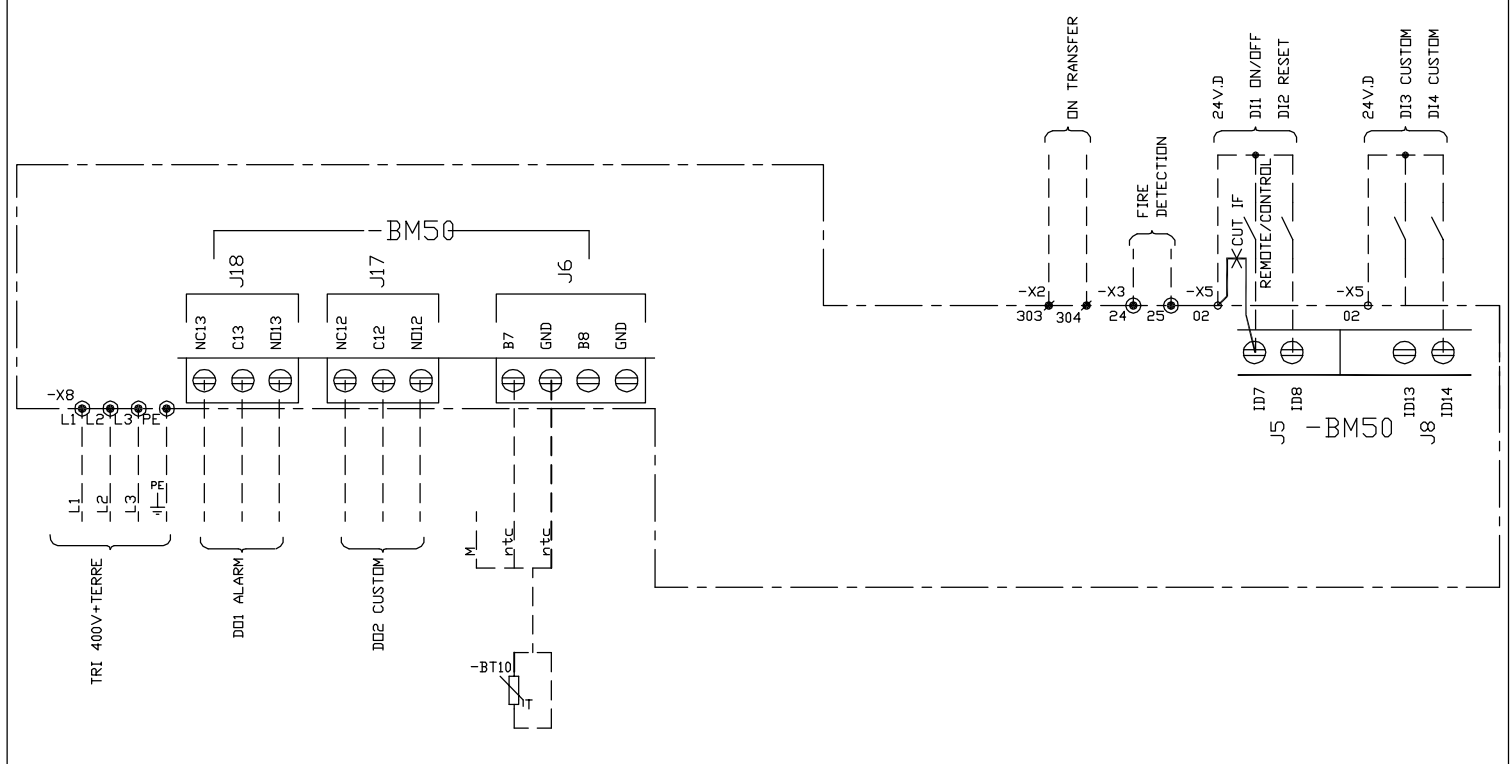
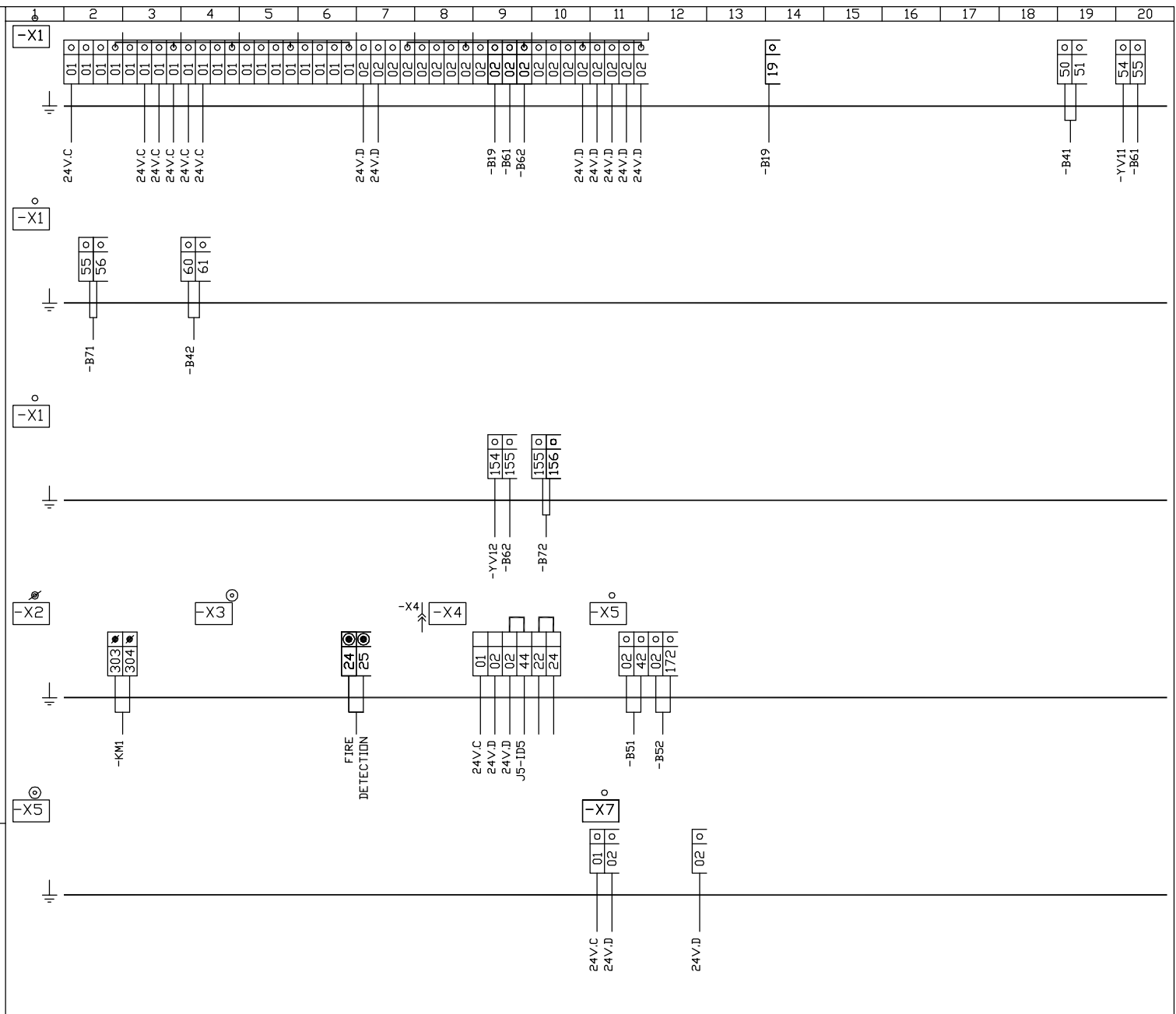
(1) BHK 030 ND  
Sorties Automate CLIMATIC 50  
Climatic 50 Controller Outputs

Dessine: CTO  
Date: 10.10.06



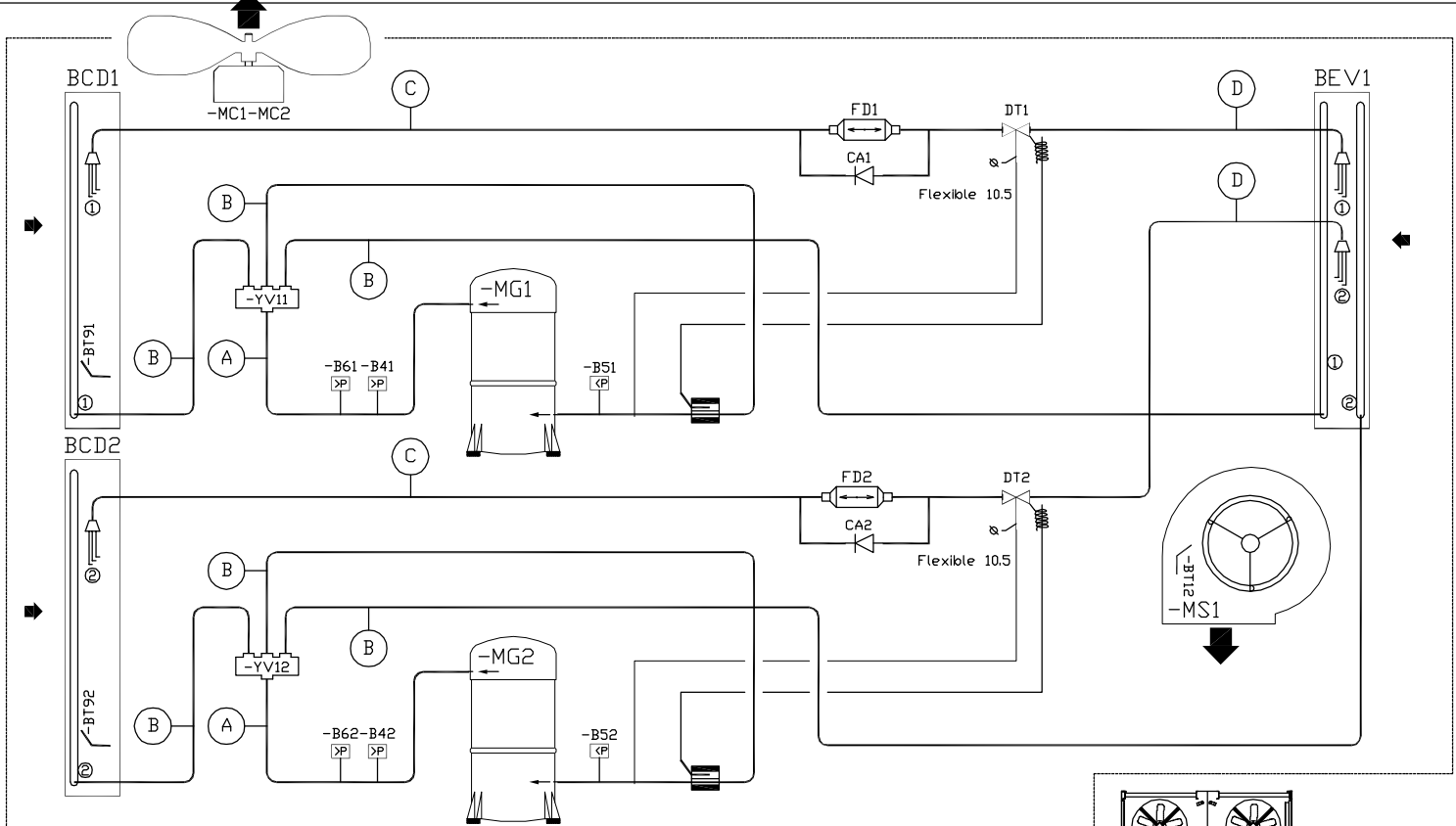




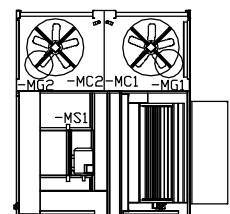








BDX	30/35	40	-MG1	45	-MG2	50	60	70
D	5/8"	5/8"	5/8"	7/8"	7/8"	7/8"	7/8"	7/8"
C	1/2"	1/2"	1/2"	5/8"	5/8"	5/8"	5/8"	5/8"
B	7/8"	1 1/8"	1 1/8"	1 1/8"	1 1/8"	1 1/8"	1 1/8"	1 3/8"
A	5/8"	7/8"	7/8"	7/8"	7/8"	7/8"	7/8"	7/8"



Indice	DATE	NOM	MODIFICATIONS

(1) BHK 030 ND  
 Schéma Frigorifique \ Hydraulique  
 Cooling \ Hydraulic Diagram

Dessine: CTO  
 Date: 10.10.06



250810 9/11



