
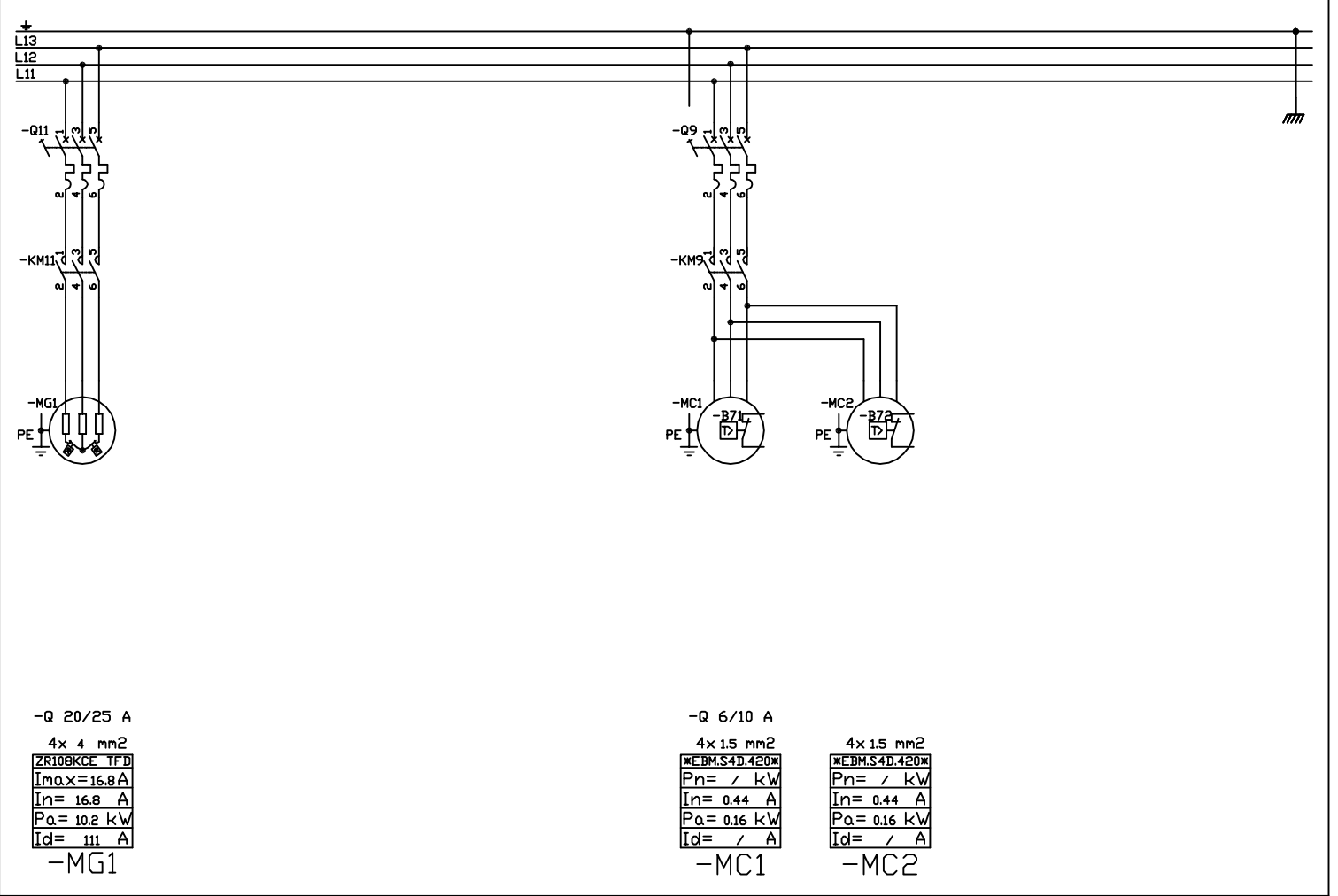
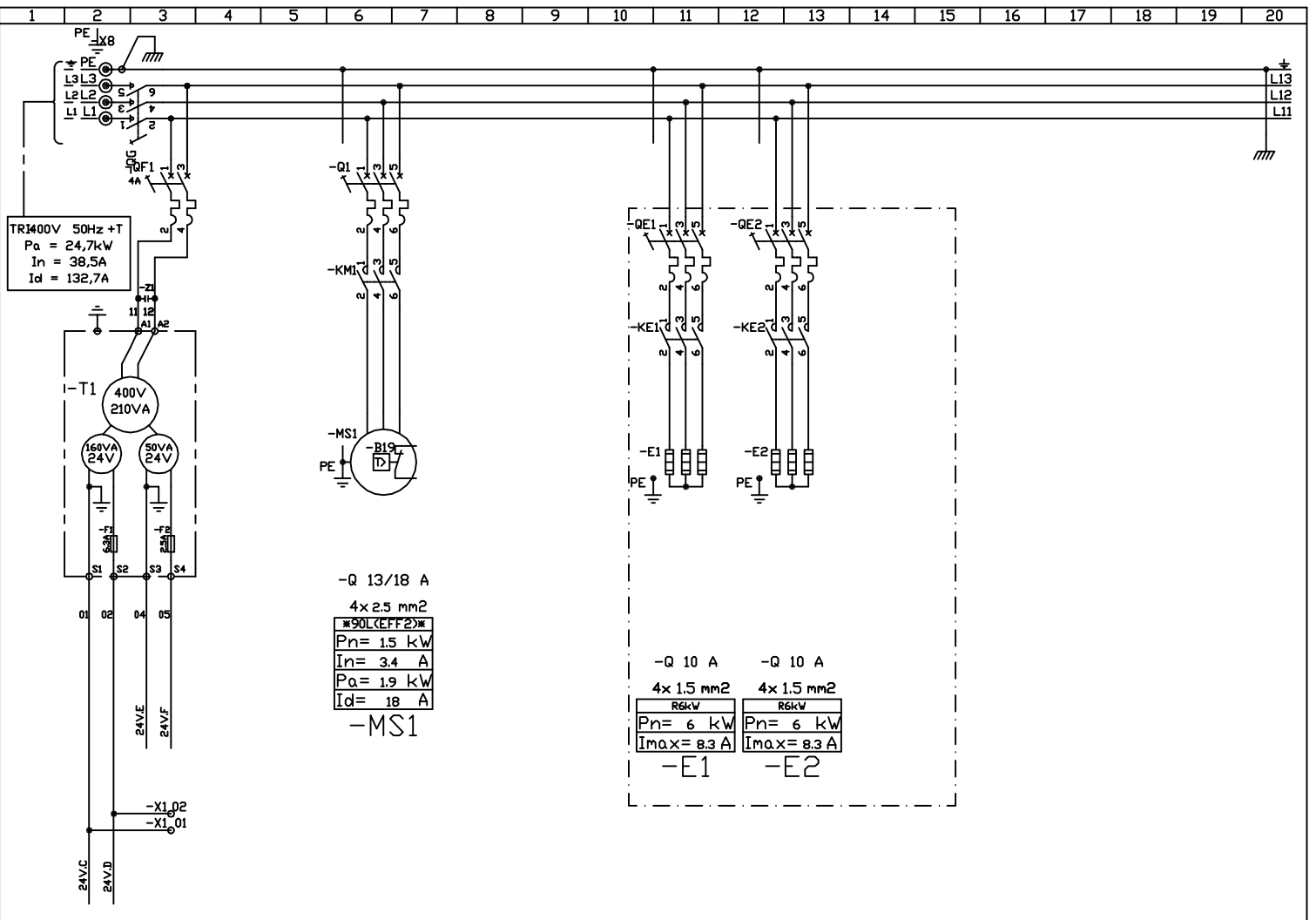
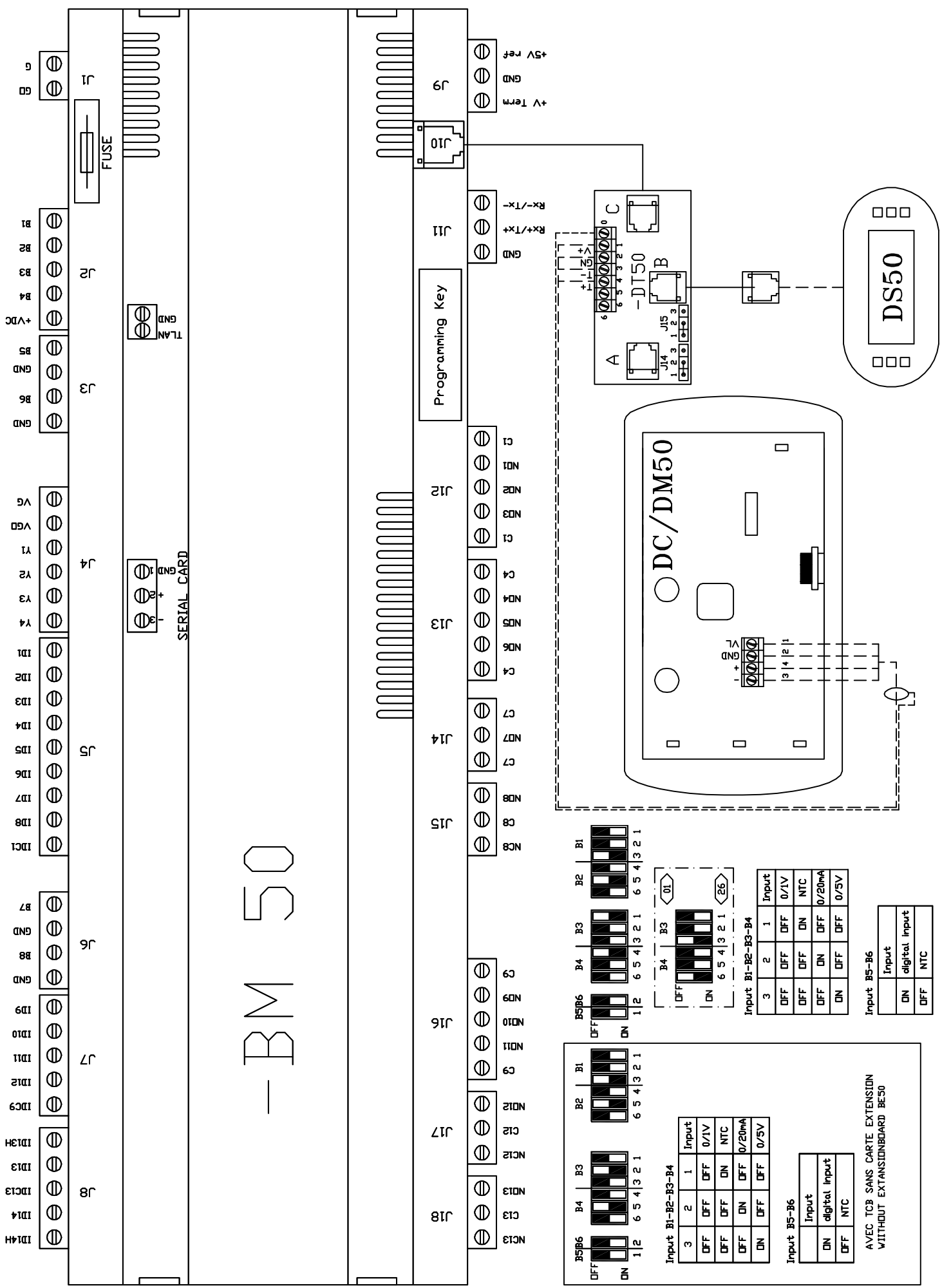


Indice	DATE	NOM	MODIFICATIONS										
													
Word of Mouth													
(1) BHK 025 NS LENNOX UK		Dessine: CTO Date: 29.04.08	PAGE DE GARDE										
			<table border="1"> <tr> <td>260668</td> <td>0/10</td> </tr> <tr> <td> </td> <td> </td> </tr> <tr> <td> </td> <td> </td> </tr> <tr> <td> </td> <td> </td> </tr> <tr> <td> </td> <td> </td> </tr> </table>	260668	0/10								
260668	0/10												





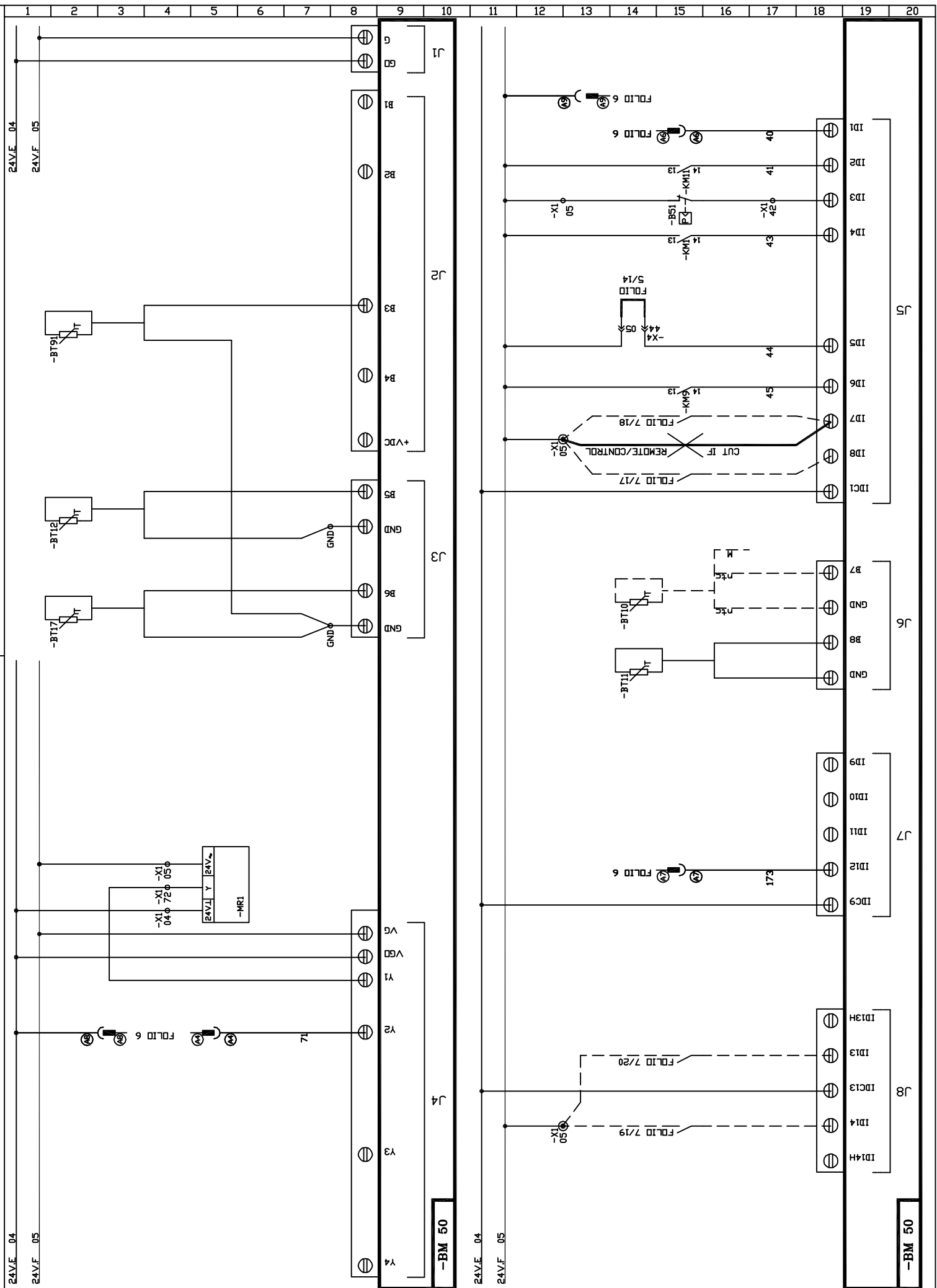
Indice	DATE	NOM	MODIFICATIONS

(1) BHK 025 NS
Automate CLIMATIC 50

Dessine: CTO
Date: 29.04.08



260668 2/10



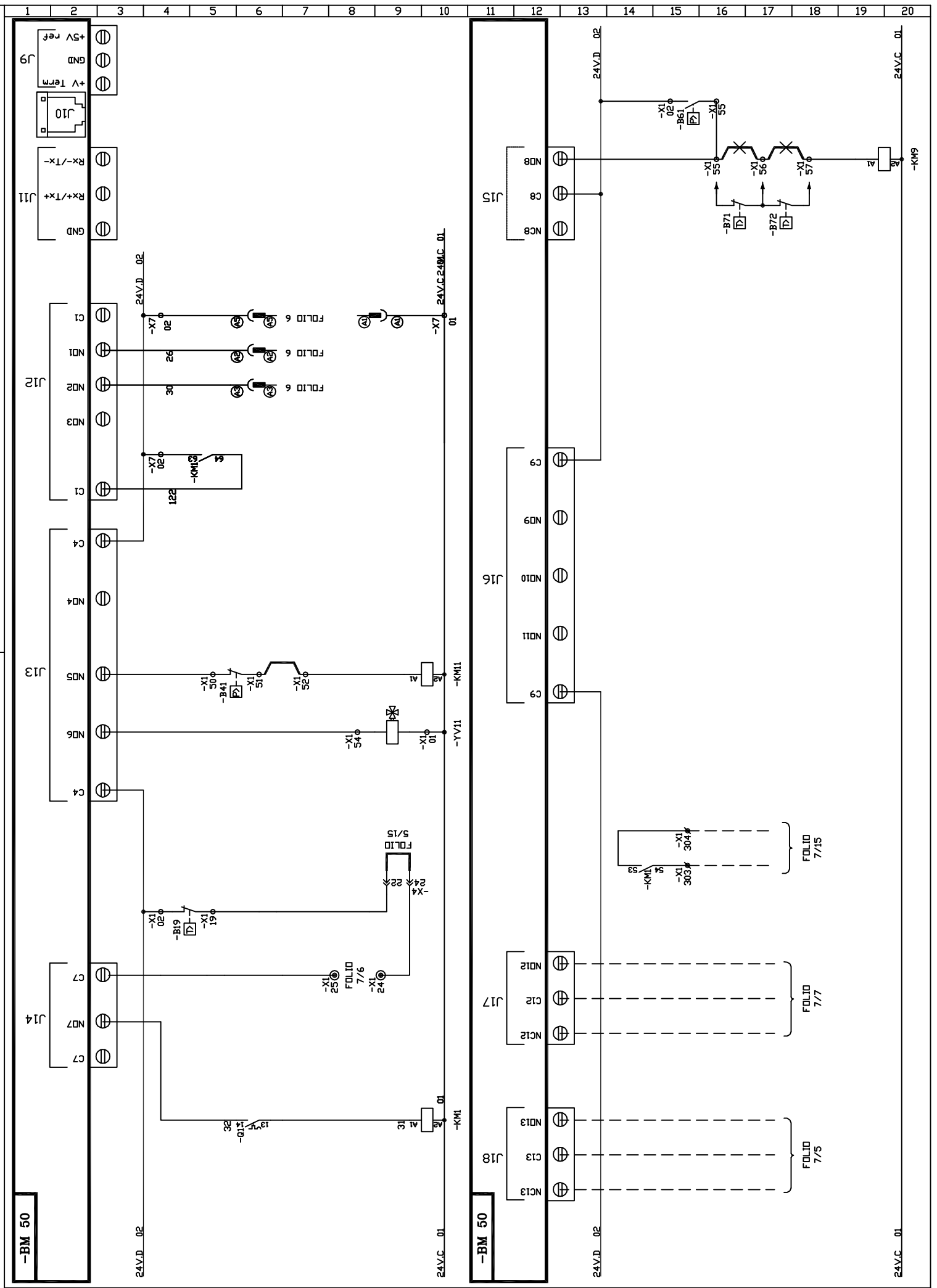
Indice	DATE	NOM	MODIFICATIONS

(1) BHK 025 NS
Entrées Automate CLIMATIC 50

Dessine: CTO
Date: 29.04.08



260668 3/10



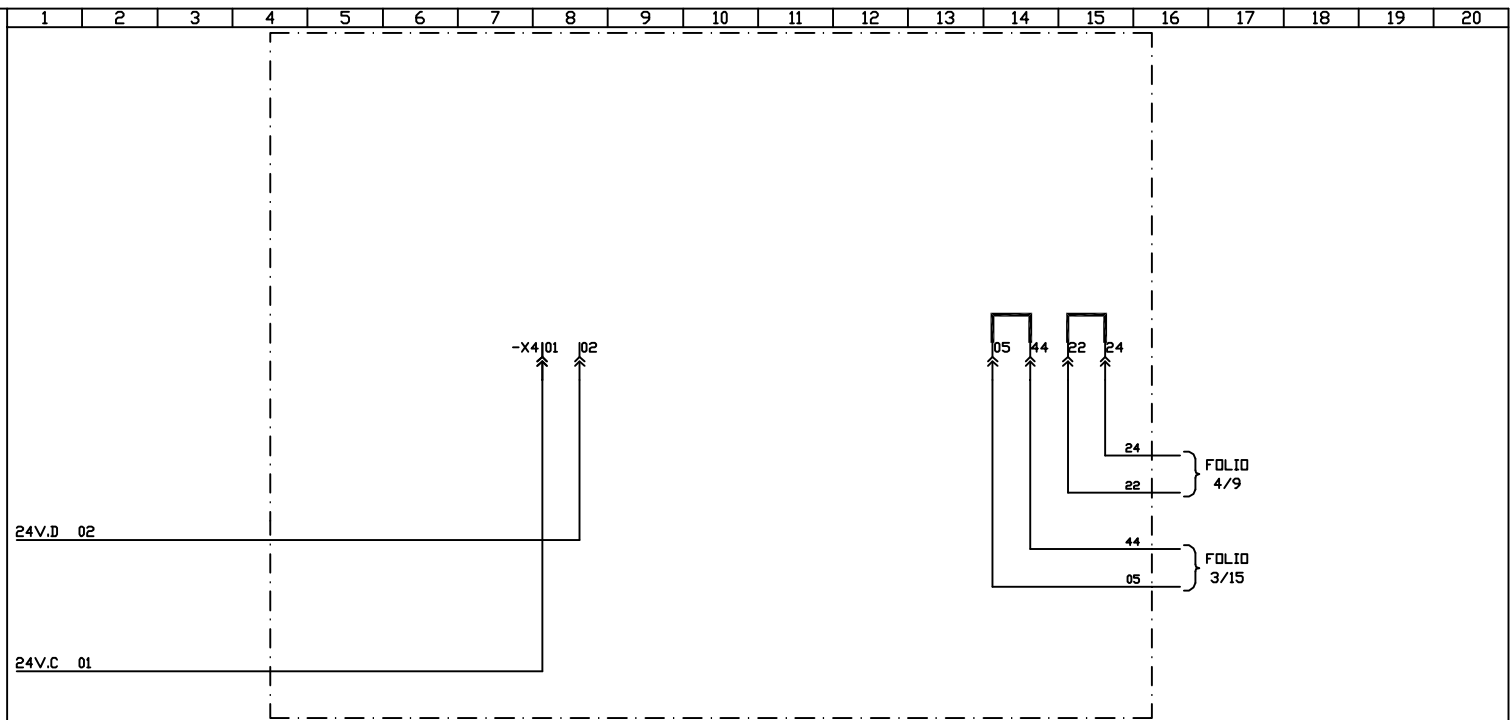
Indice	DATE	NOM	MODIFICATIONS

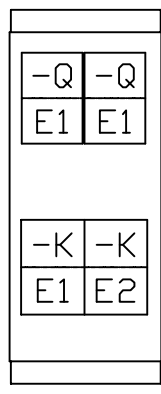
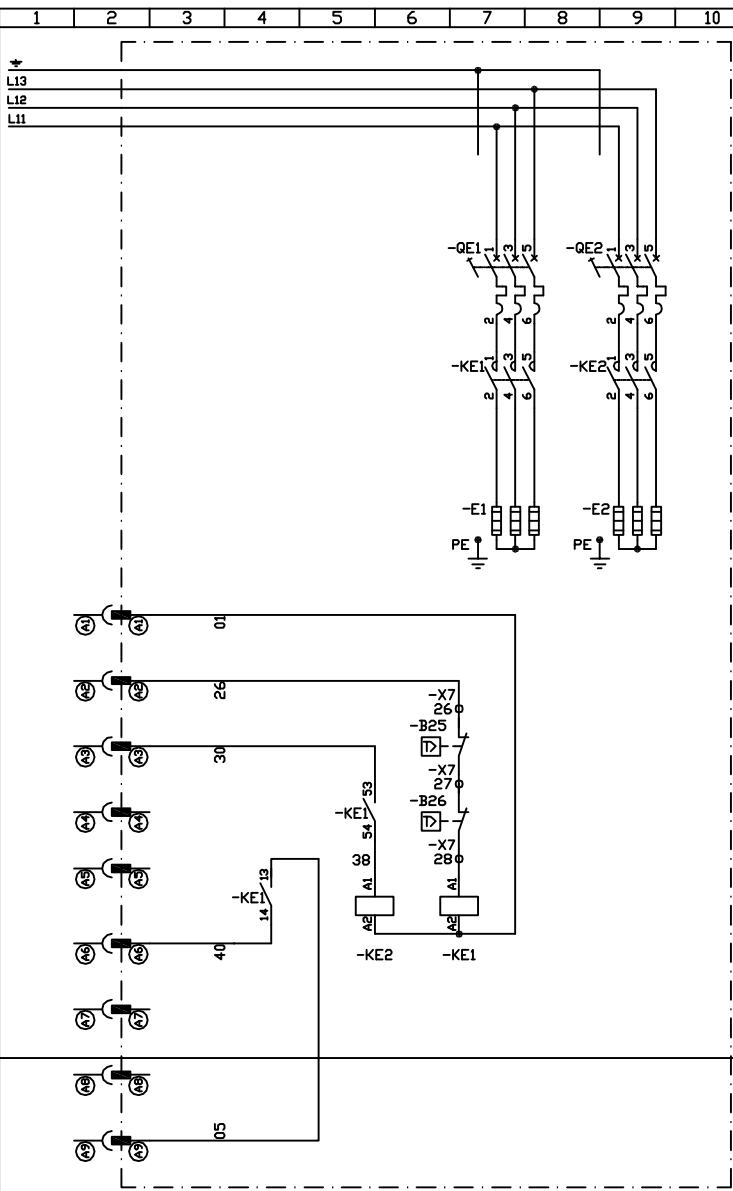
(1) BHK 025 NS
Sorties Automate CLIMATIC 50

Dessine: CTO
Date: 29.04.08



260668 4/10





REPERE	REFERENCE	CODE	Nb
-QE1	C60N 10A TRIPOL COURBE C	4480510M	1
-QE2	C60N 10A TRIPOL COURBE C	4480510M	1
-KE1	LC1 D0910 B7	4410650A	1
-KE1	LA1 DN11	5410082F	1
-KE2	LC1 D0910 B7	4410650A	1

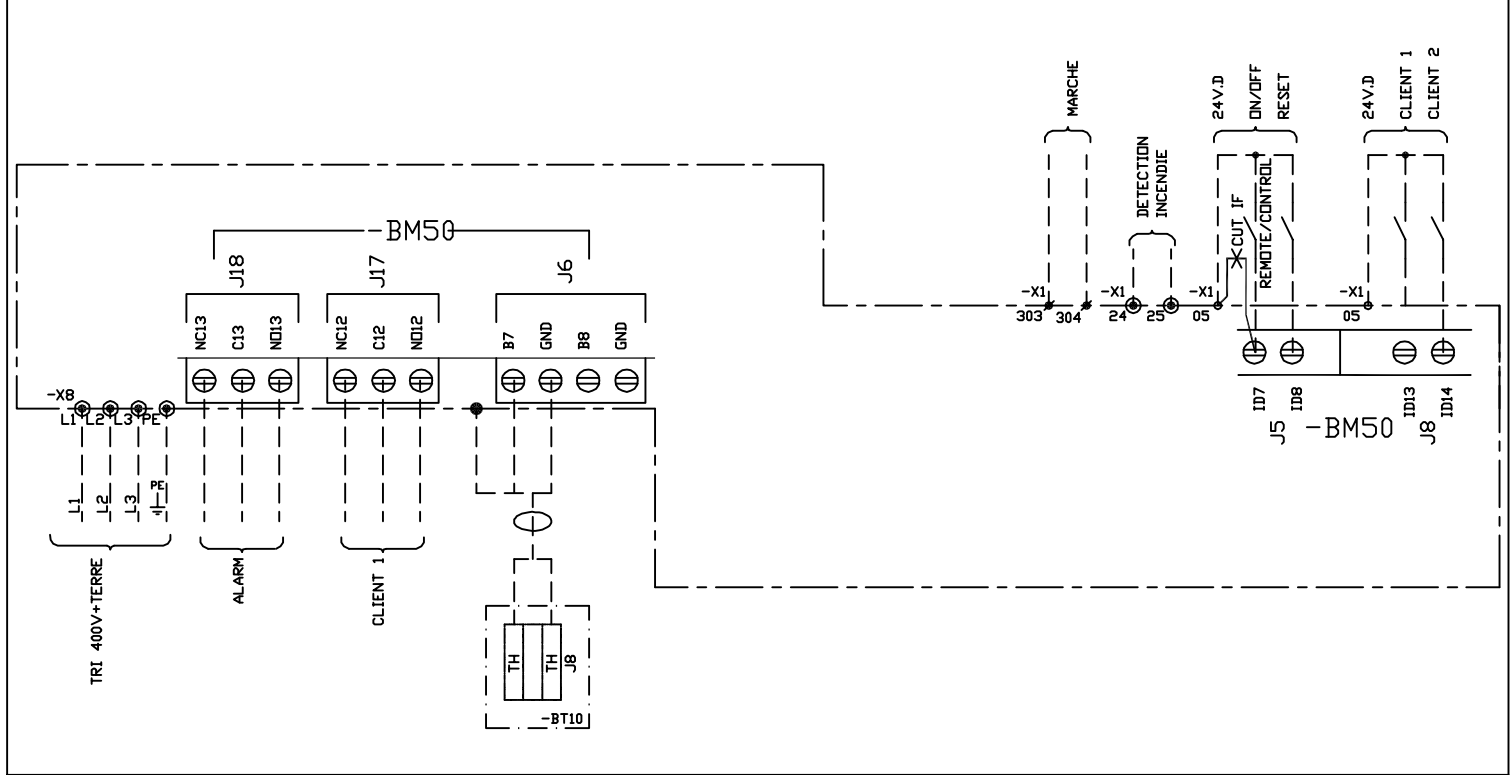
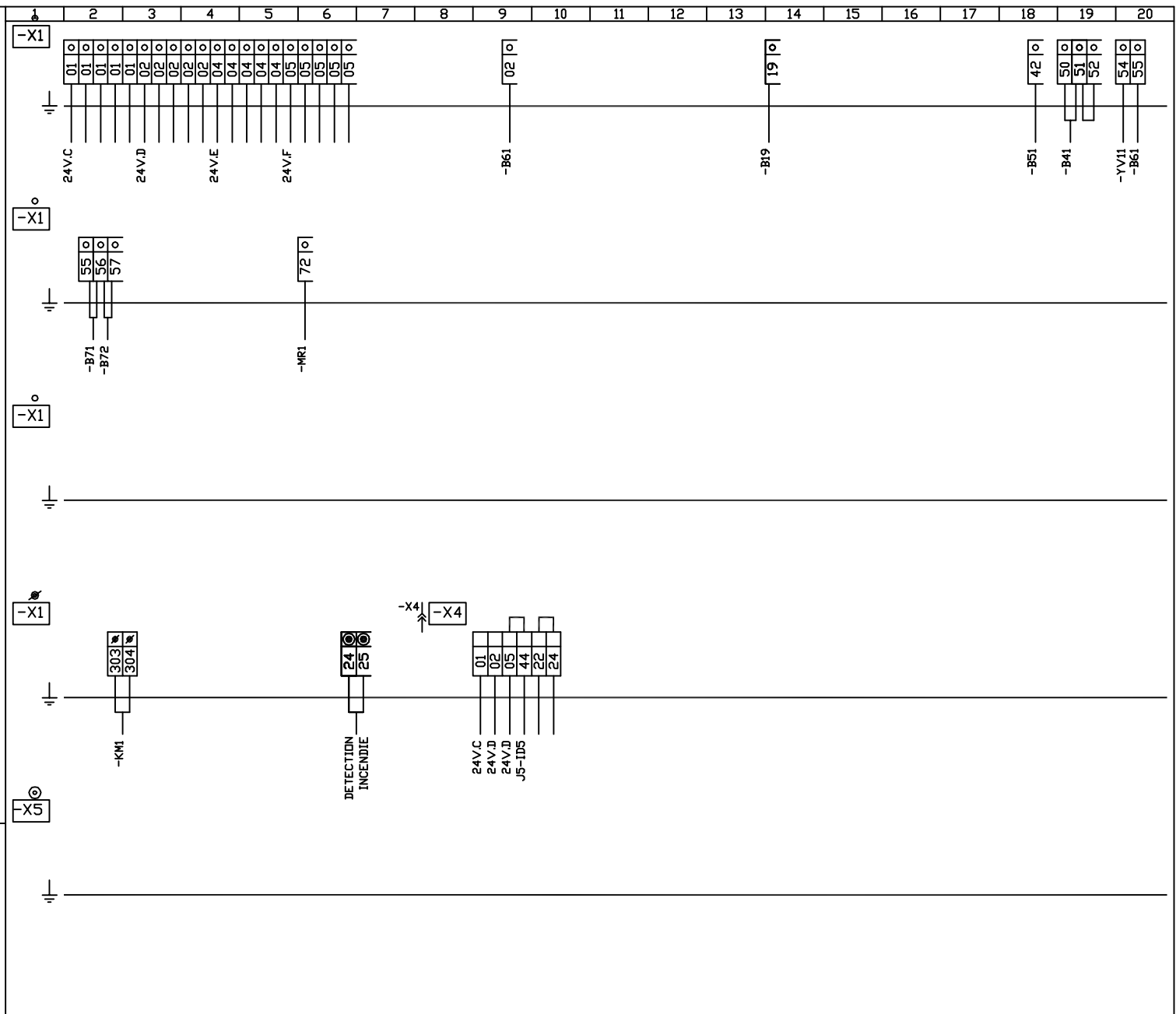
Indice	DATE	NOM	MODIFICATIONS

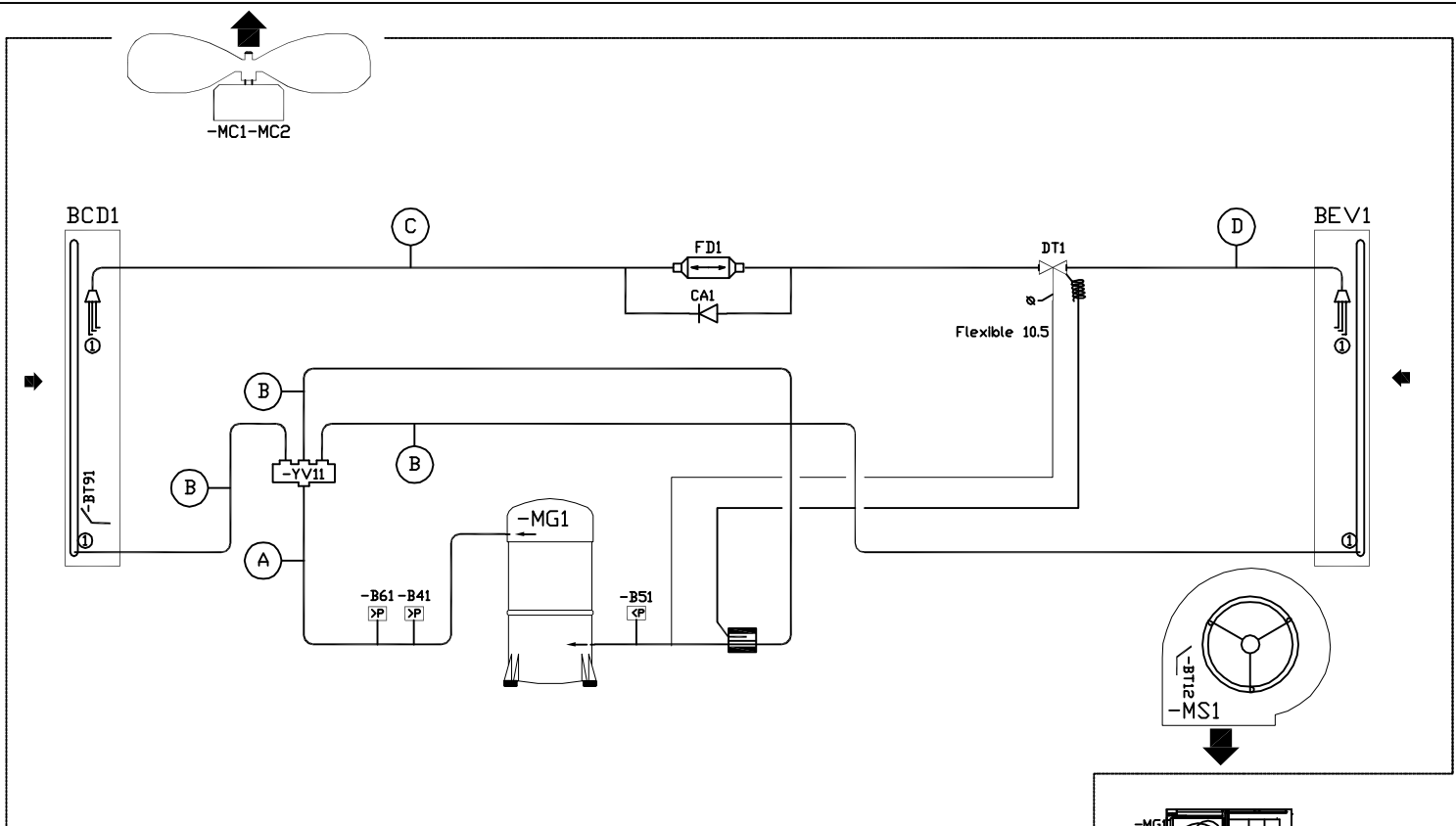
(1) BHK 025 NS
Kit chauffage

Dessine: CTO
Date: 29.04.08

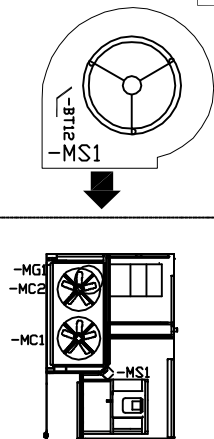


260668 6/10





BOX	20/25
D	5/8"
C	1/2"
B	1 1/8"
A	7/8"



Indice	DATE	NOM	MODIFICATIONS

(1) BHK 025 NS
Schéma Frigorifique \ Hydraulique

Dessine: CTO
Date: 29.04.08



260668 9/10

