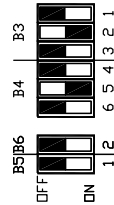
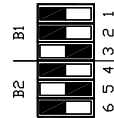
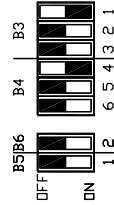
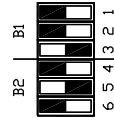
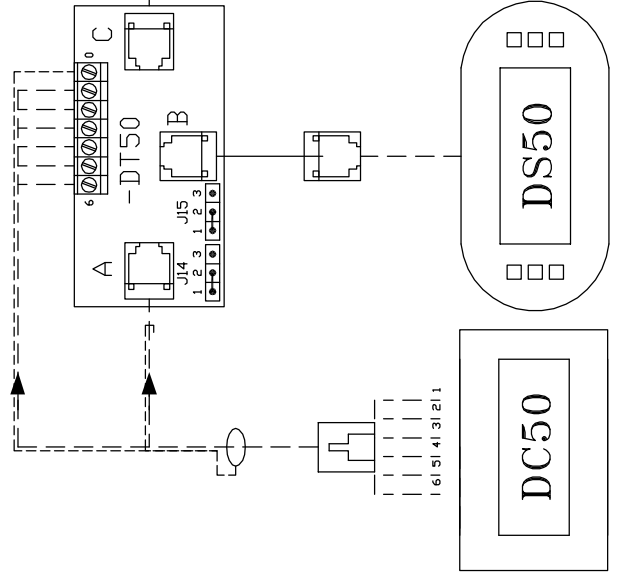
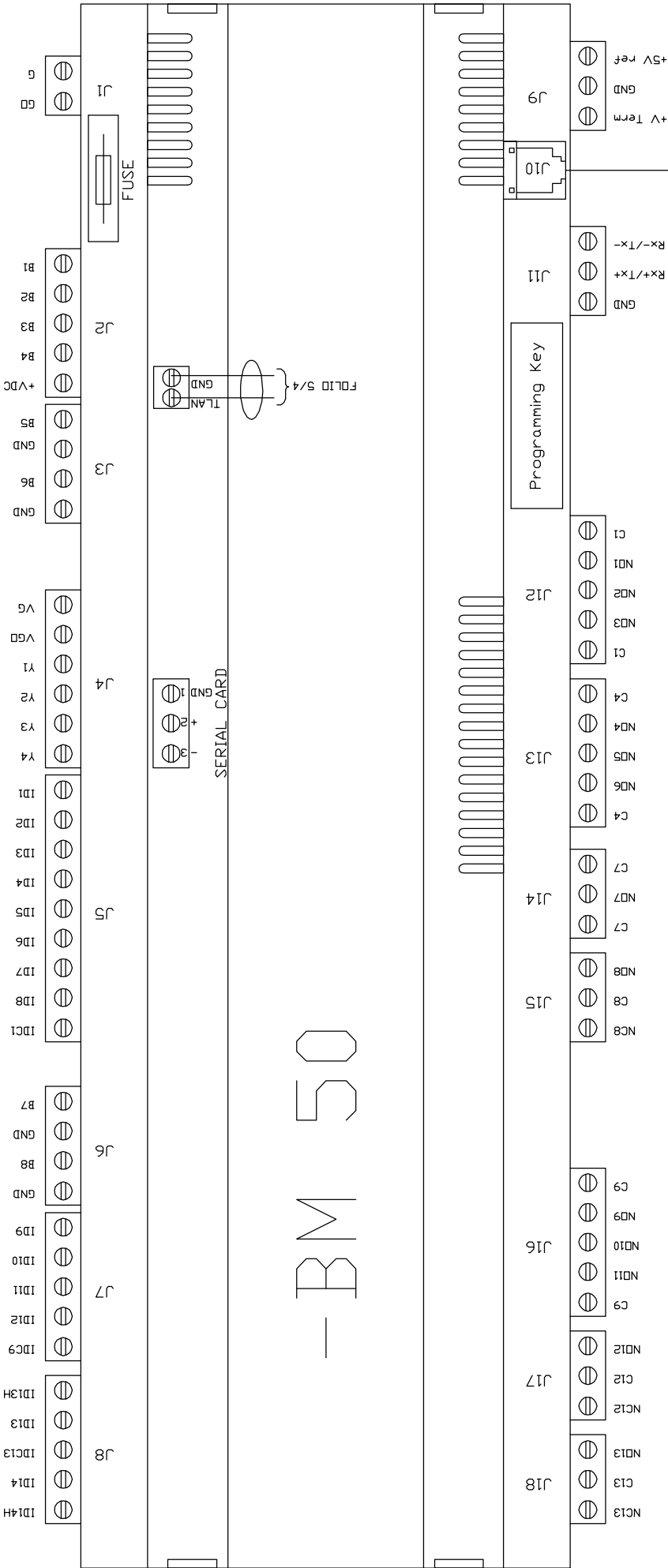


# - BM 50

SERIAL CARD



Input B1-B2-B3-B4

Input	1	2	3
0/1V	OFF	OFF	OFF
NTC	DN	OFF	OFF
0/20mA	OFF	DN	OFF
0/5V	OFF	OFF	DN

Input B5-B6

Input	digital input	NTC
DN	OFF	OFF

Input B1-B2-B3-B4

Input	1	2	3
0/1V	OFF	OFF	OFF
NTC	DN	OFF	OFF
0/20mA	OFF	DN	OFF
0/5V	OFF	OFF	DN

Input B5-B6

Input	digital input	NTC
DN	OFF	OFF

AVEC TCB SANS CARTE EXTENSION  
WITHOUT EXTENSIONBOARD BE50

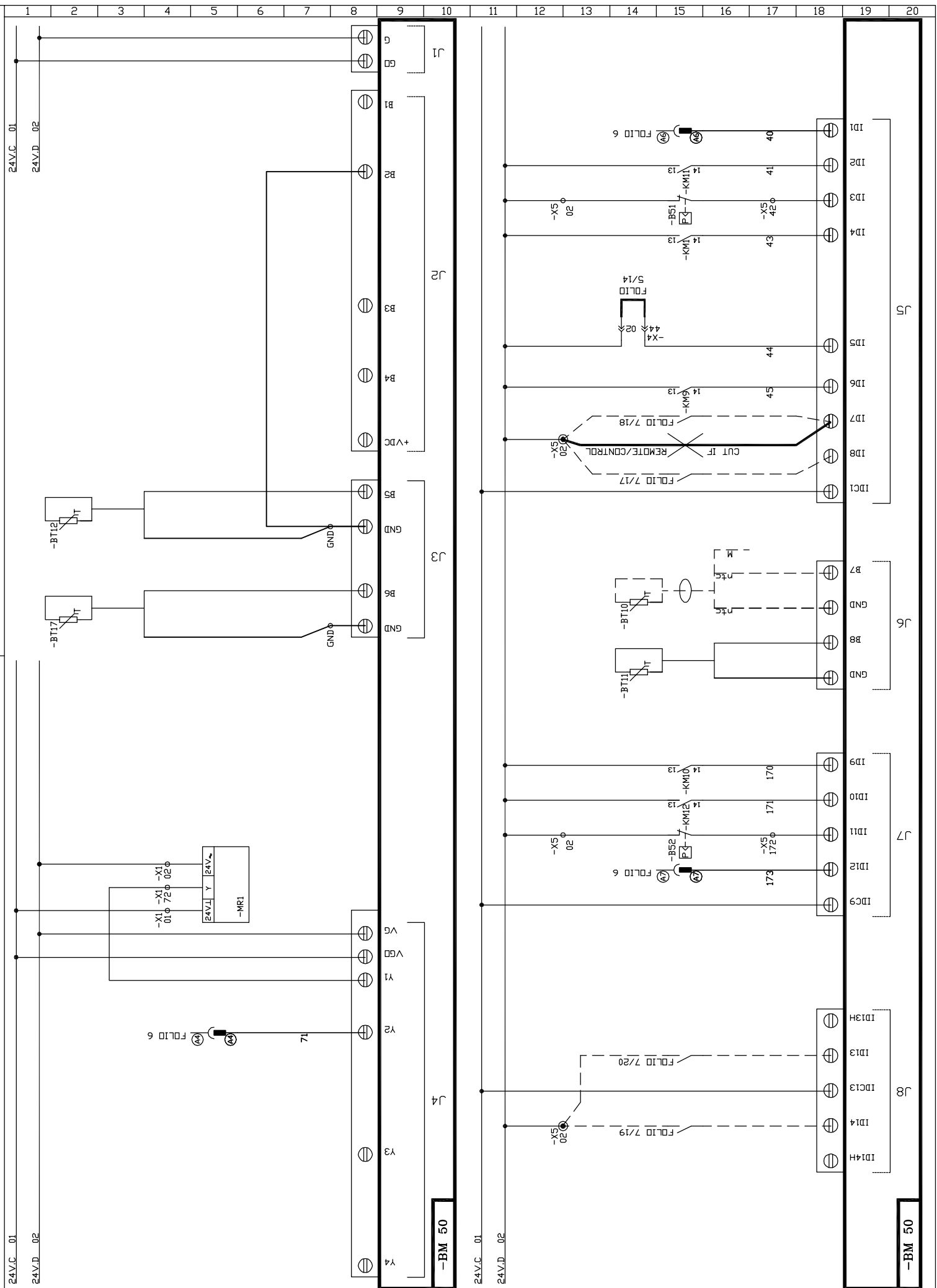
Indice	DATE	NOM	MODIFICATIONS

(1) BCK 070 HD  
Automate CLIMATIC 50  
Climatic 50 Controller

Dessine: CTO  
Date: 03.07.06



248937 2/11



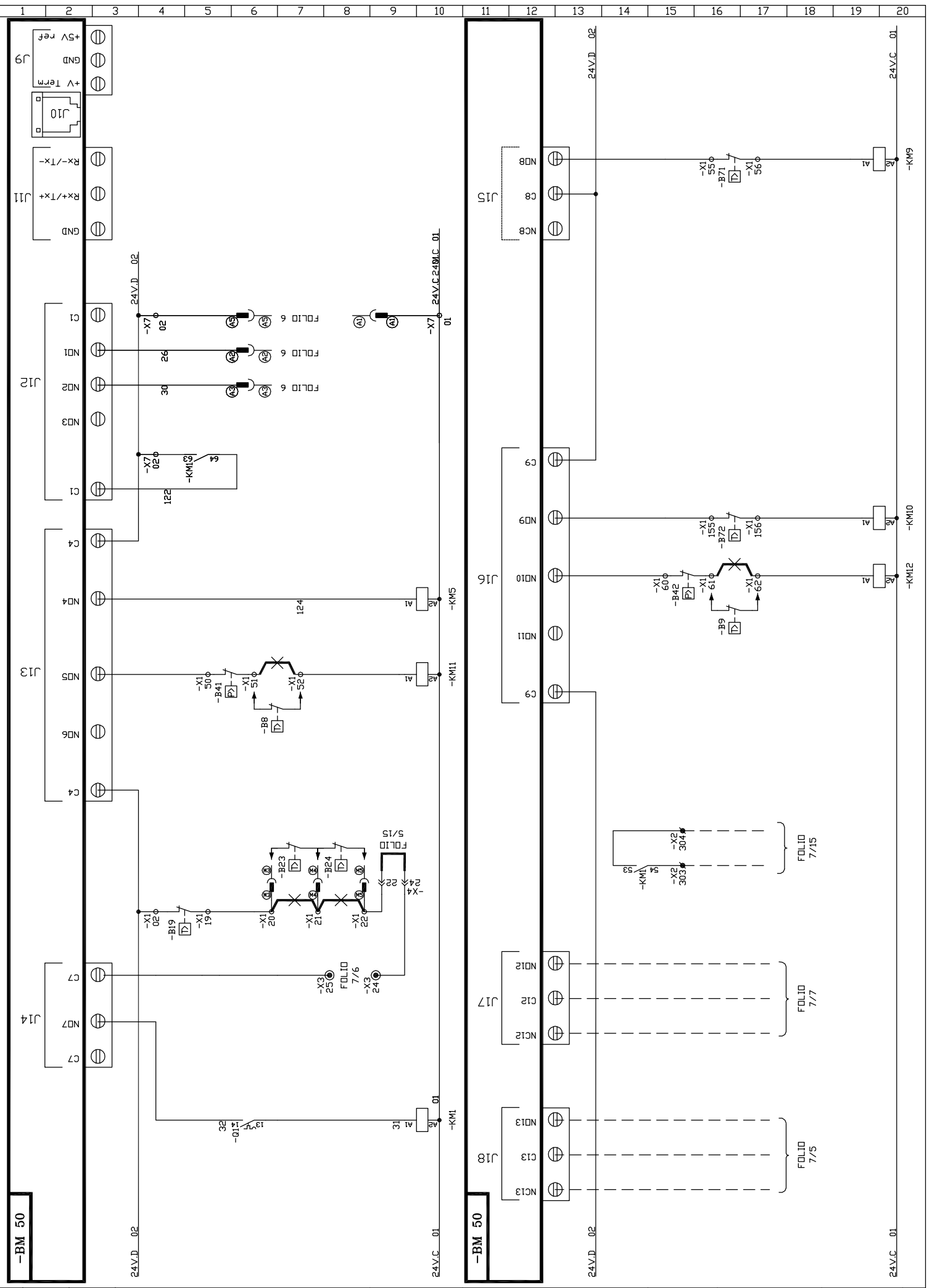
Indice	DATE	NOM	MODIFICATIONS

(1) BCK 070 HD  
Entrées Automate CLIMATIC 50  
Climatic 50 Controller Input

Dessine: CTO  
Date: 03.07.06



248937 3/11



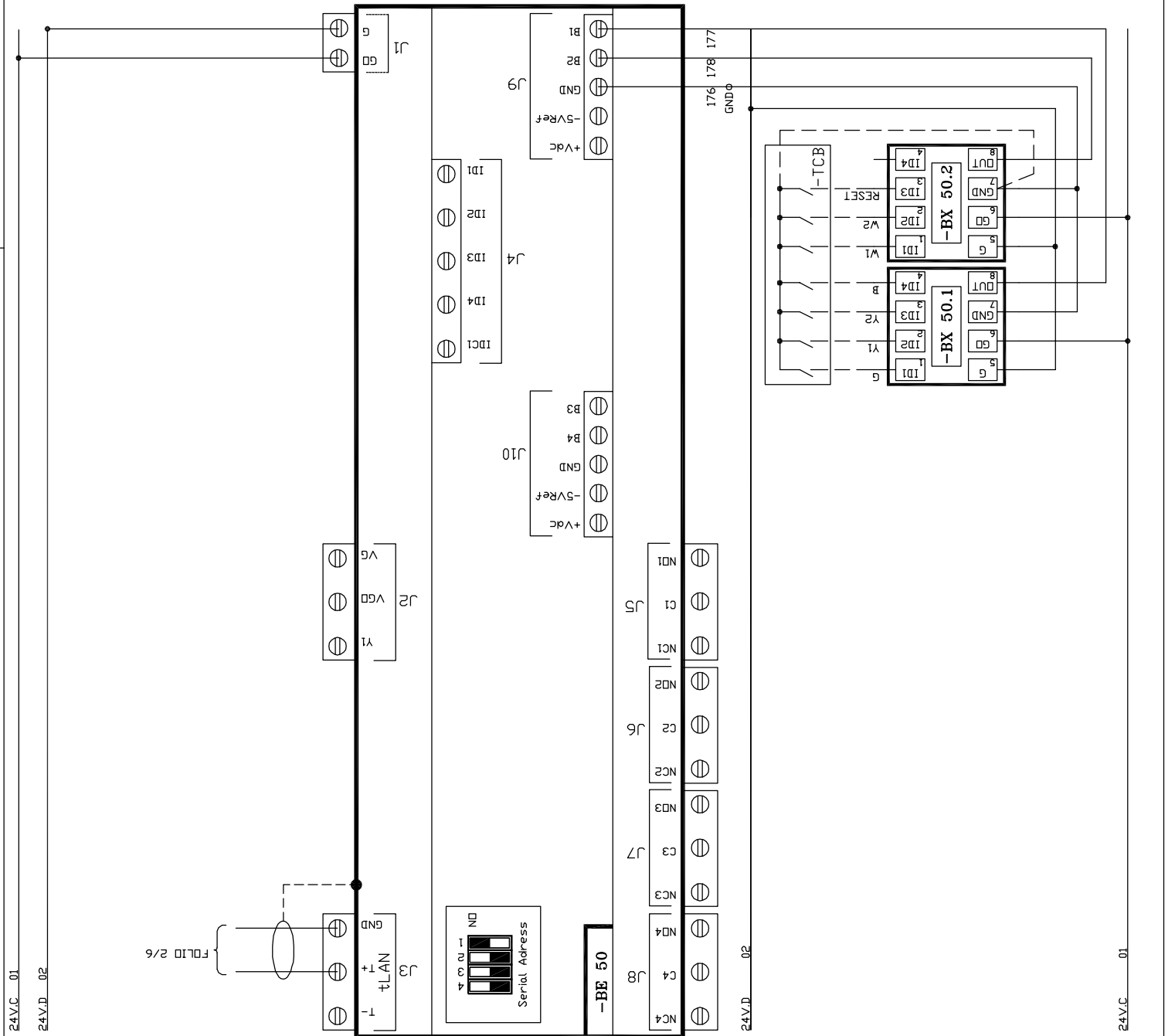
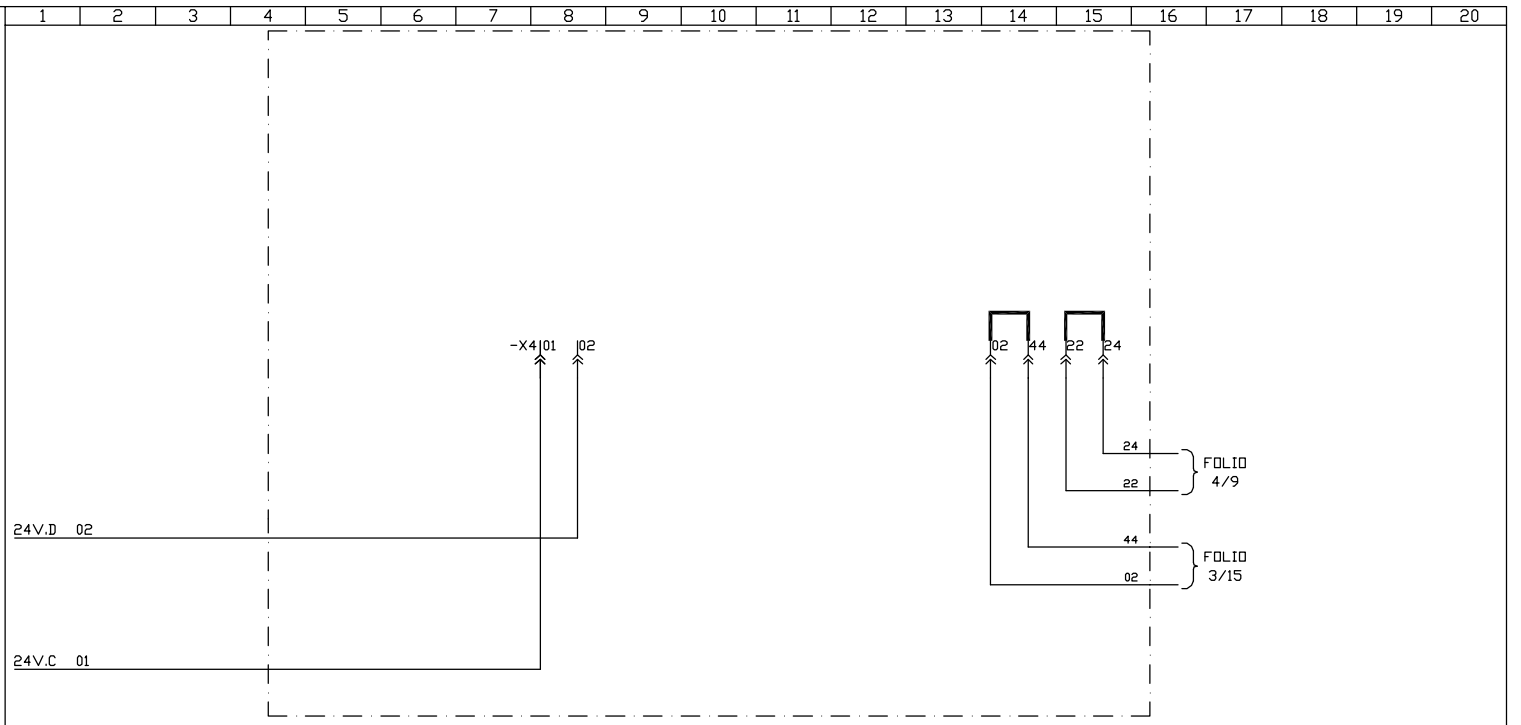
Indice	DATE	NOM	MODIFICATIONS

(1) BCK 070 HD  
Sorties Automate CLIMATIC 50  
Climatic 50 Controller Outputs

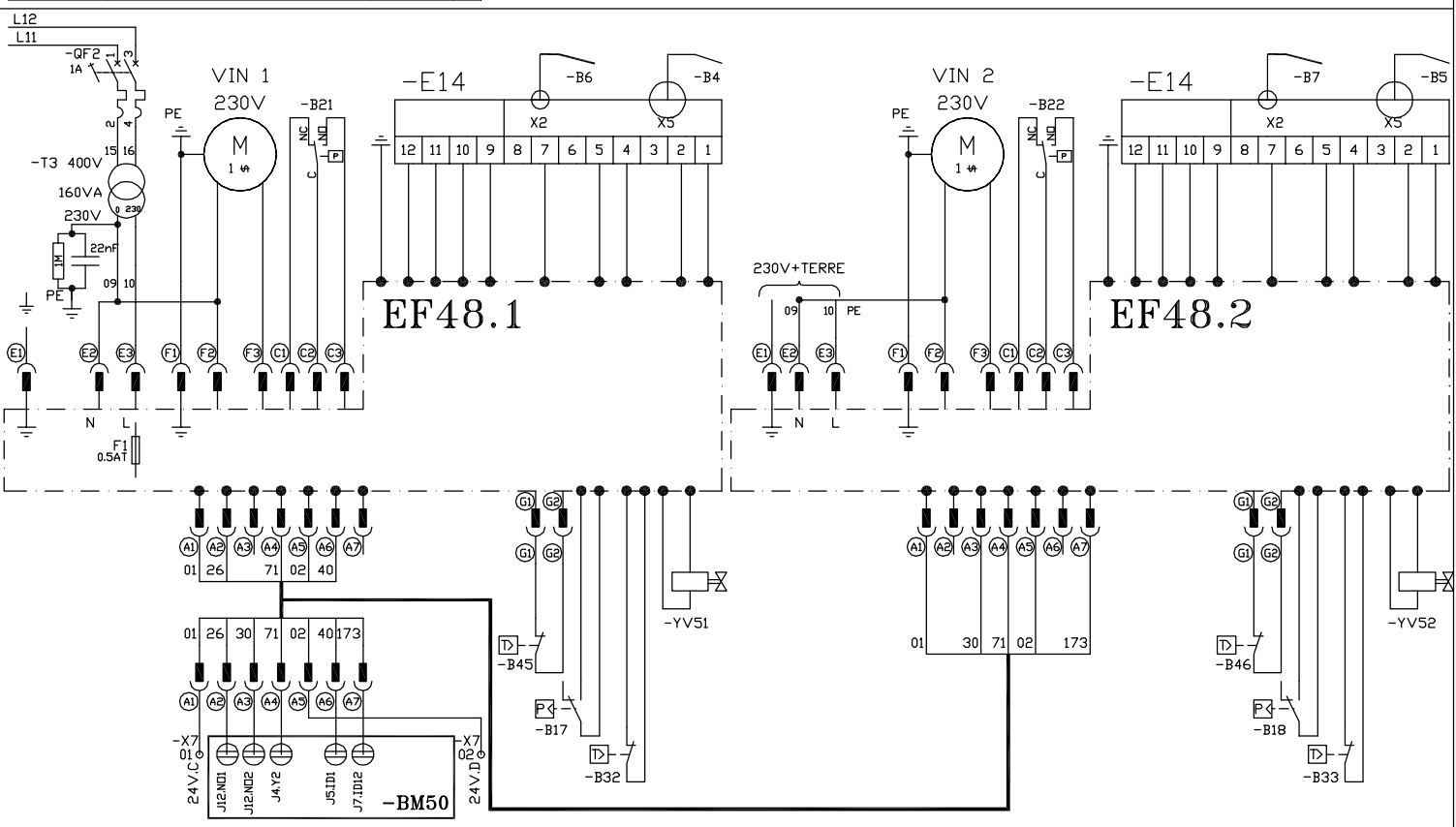
Dessine: CTO  
Date: 03.07.06

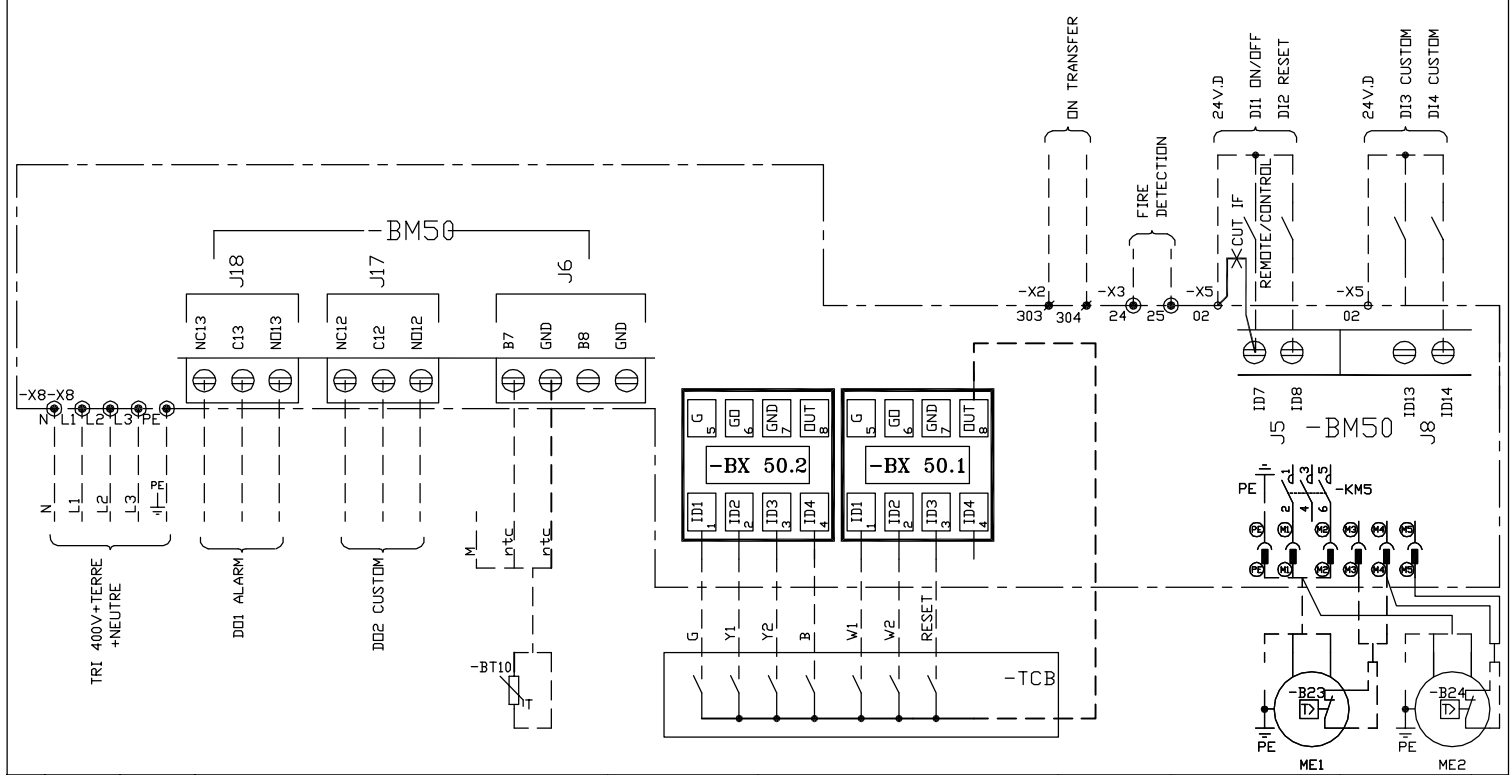
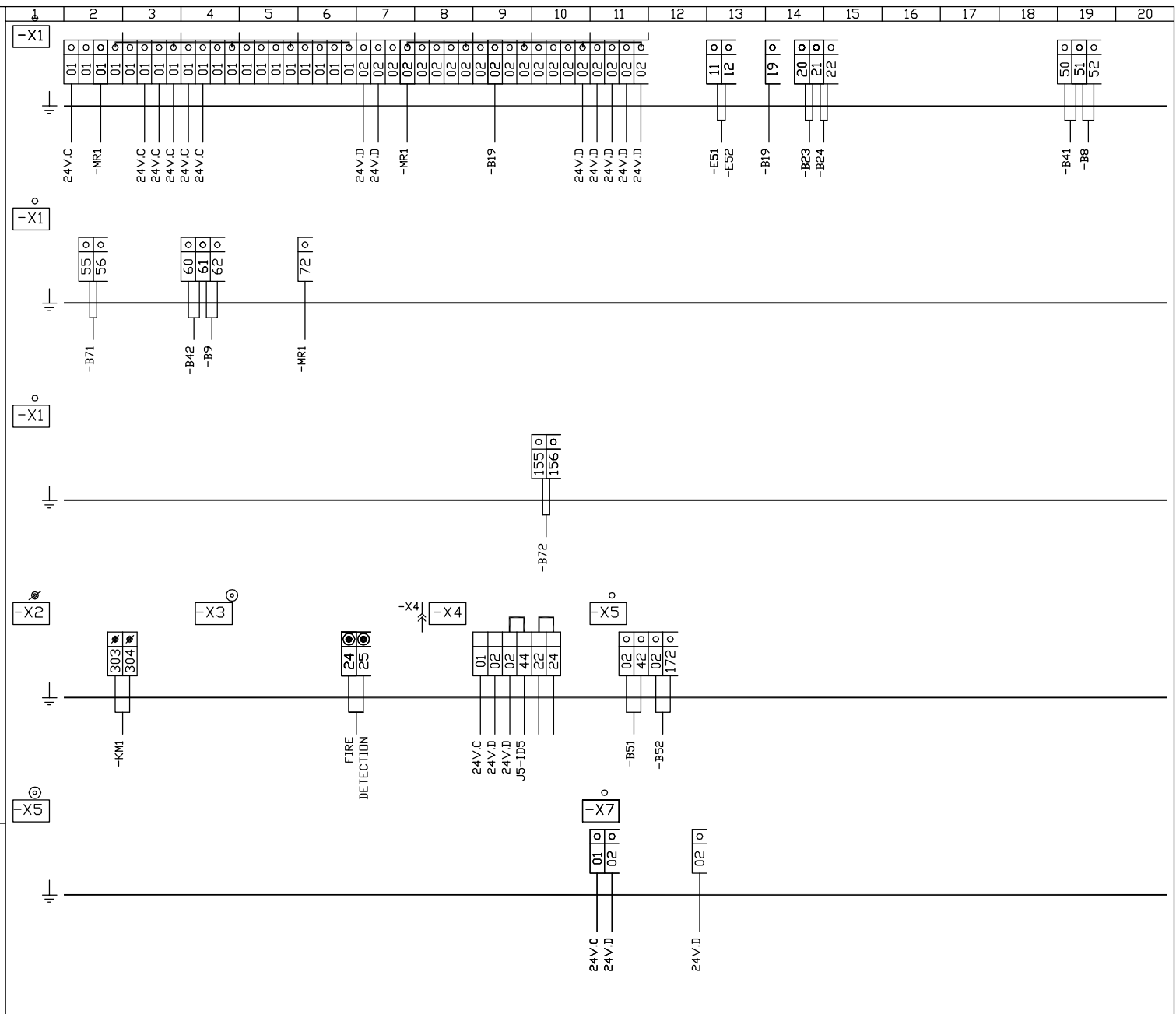


248937 4/11

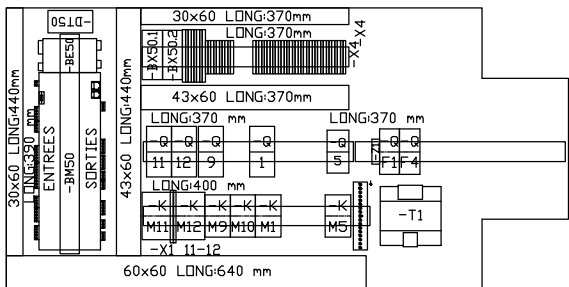


1	2	3	4	5	6	7	8	9	10	11	12	13	14	15	16	17	18	19	20	
REPERE	REFERENCE		CODE	Nb																
-QF2	C60N 1A BIPOL COURBE D		4480589E	1																
-T3	160VA 400V/230V		4430125R	1																
-RC	CIRCUIT RC 1MEG0HM - 22nF		4770012Z	1																
-EF48.1.2	-EF48		4770624Z	2																





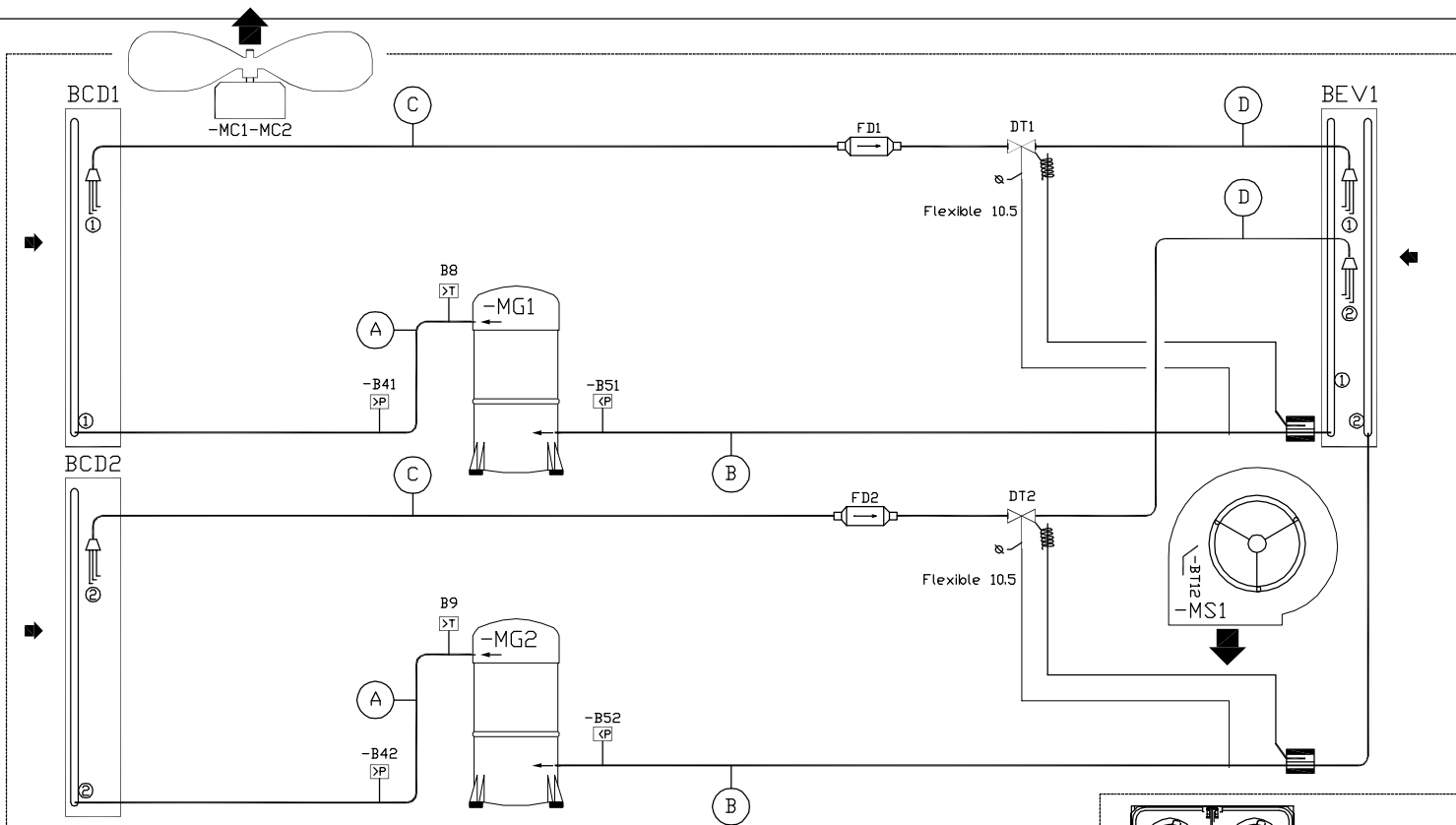




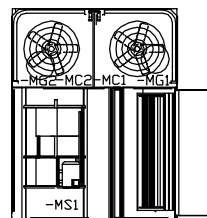
REPERE	REFERENCE	CODE	Nb
BARRETTE	TYPE MG 14979	5470186T	1
-QF1	C60N 24583 4A BIPOL COURBE D	4480591H	1
-QF4	C60N 24584 6A BIPOL COURBE D	4480592J	1
-T1	160VA PRIMAIRE 400V /24V	4430121L	1
-Z1	LRC V2-0.22-220/400V	4770010X	1
-Q5	GV2 M16 9/14A	4410849V	1
-KM5	LC1 D09 B7	4410650A	1

REPERE	REFERENCE	CODE	Nb
-Q1	GV2 M20 13/18 A	4410850W	1
-Q1	GV2 AE 113	4410890H	1
-KM1	LC1 D12 B7	4410651E	1
-KM1	LA1 DN403	5410092V	1

REPERE	REFERENCE	CODE	Nb
-BMS0	CLIMATIC 50 2Mega	4770607Z	1
-BE50	Extension CLIMATIC 50	4770615M	1
-BX50	MULTIPLIXEUR TCB	4770616N	2
-DT50	-DT50	4770623Y	1
BORNIER	D2.5/5.SNBT.2L DRANGE	5470163K	2
	PLAQUE DE FERMETURE FED5.2L	5470512X	1
	D2.5/5.2L GRISE	5470200N	**
	PLAQUE DE FERMETURE FED5.2L	5470235P	1
	D2.5/5.4L GRISE 24V.C.D	5470270R	16
BORNIER-X8	PLAQUE DE FERMETURE FED5.4L	5470229W	1
	MONTAGE 4 POLES BJDLS.4	5470278Y	2
	M35/16	5470204V	3
	PLAQUE DE FERMETURE	5470237T	1
BUTEE	103 002 26	5470240X	2
-Q11-Q12	GV2 M22 20/25 A	4410852Y	2
-KM11-KM12	LC1 D18 B7	4410652F	2
-Q9	GV2 M14 6/10A	4410848T	1
-KM9	LC1 D09 B7	4410650A	1
-KM10	LC1 D09 B7	4410650A	1



BOX	30/35	40	-MG1	45	-MG2	50	60	70
D	5/8"	5/8"	5/8"	7/8"	7/8"	7/8"	7/8"	7/8"
C	1/2"	1/2"	1/2"	5/8"	5/8"	5/8"	5/8"	5/8"
B	7/8"	1 1/8"	1 1/8"	1 1/8"	1 1/8"	1 3/8"	1 3/8"	1 3/8"
A	5/8"	7/8"	7/8"	7/8"	7/8"	7/8"	7/8"	7/8"



Indice	DATE	NOM	MODIFICATIONS

(1) BCK 070 HD  
 Schéma Frigorifique \ Hydraulique  
 Cooling \ Hydraulic Diagram

Dessine: CTO  
 Date: 03.07.06



248937 9/11  
 USINE DE LONGVIC



