
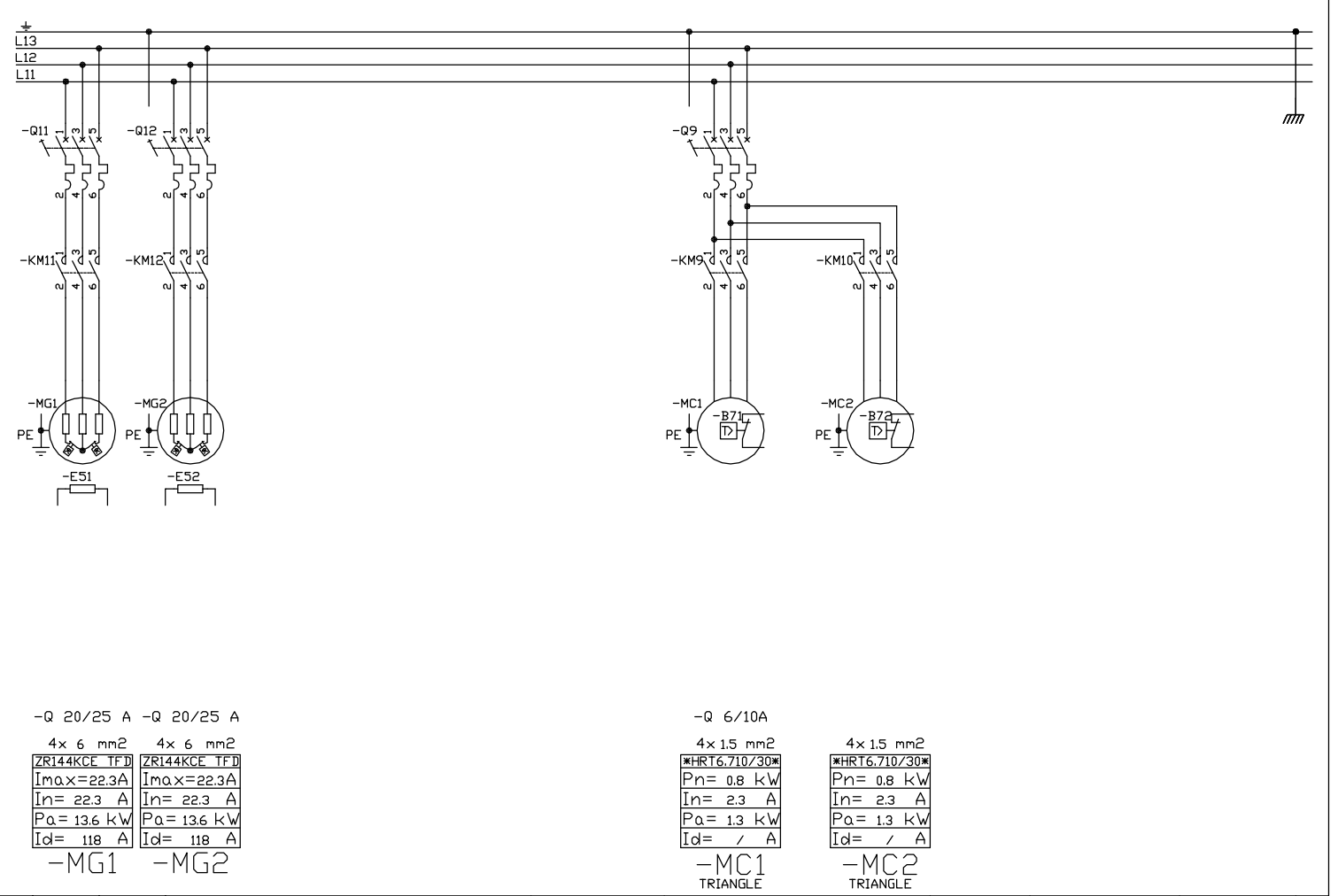
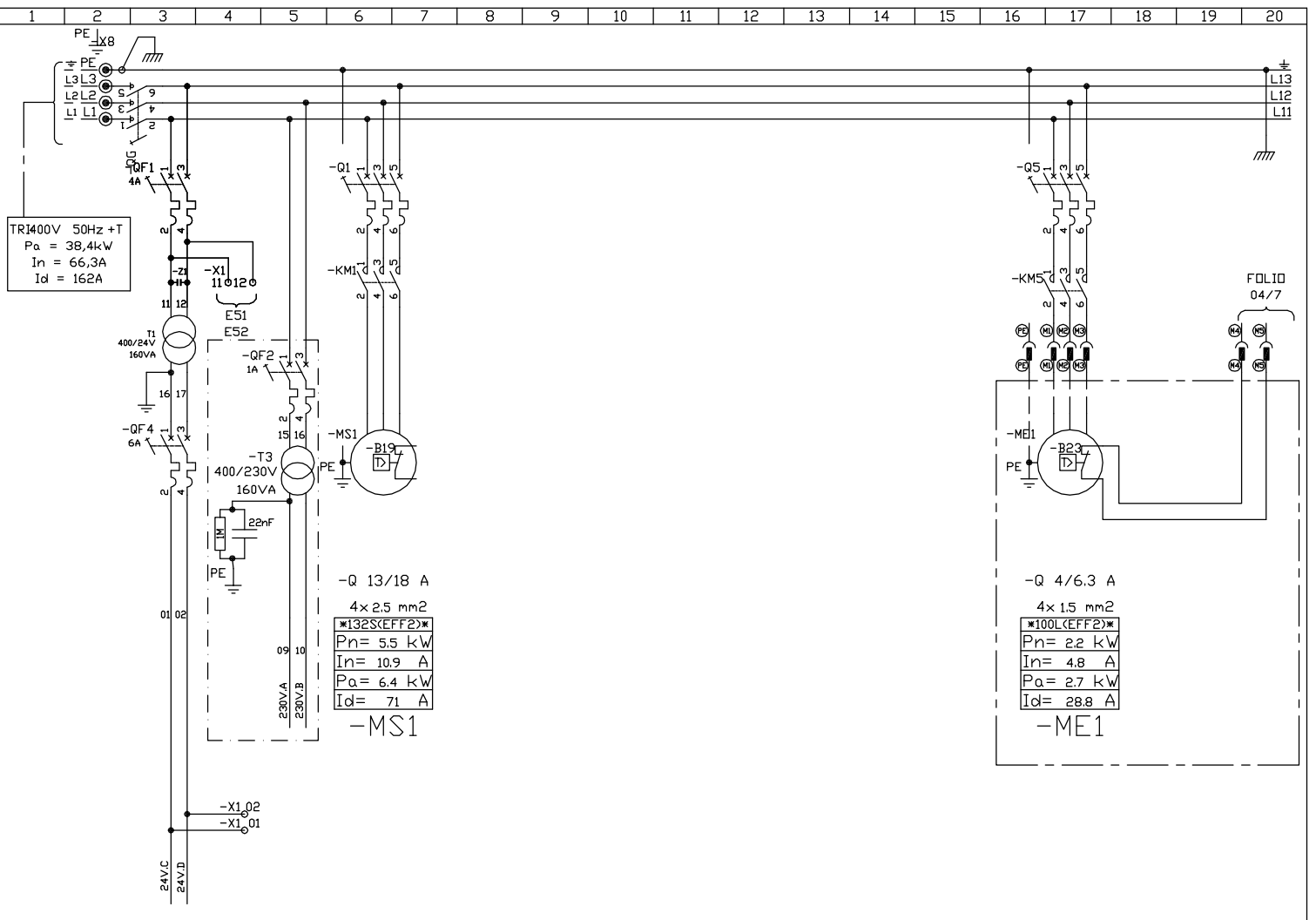
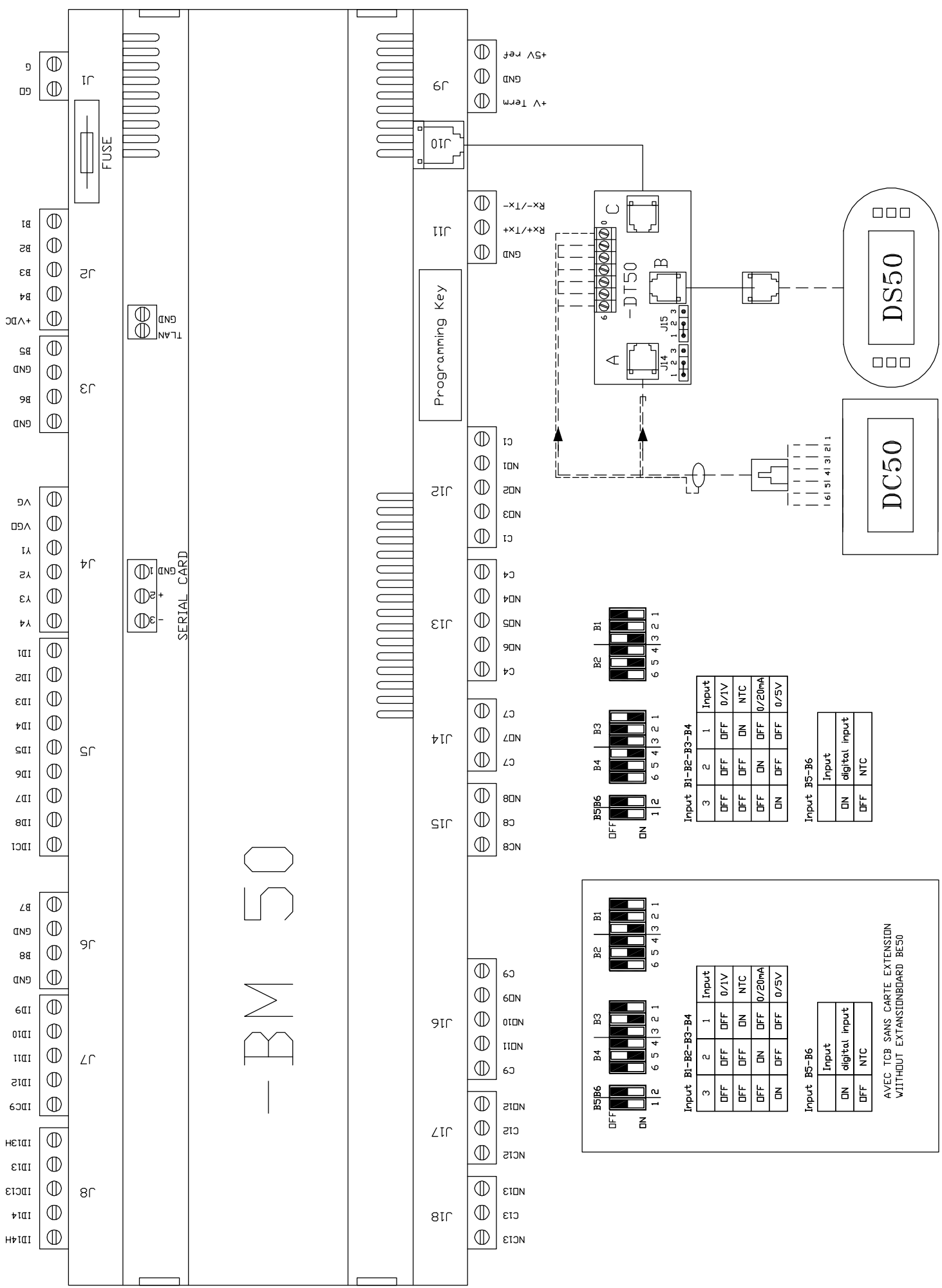


Indice	DATE	NOM	MODIFICATIONS
			
<i>Cartisle Night Club</i>			
(1) BGK 070 HD	Dessine: T/Y	PAGE DE GARDE	244945 0/11
<b>LENNOX UK</b>	Date: 18.10.05		





# - BM 50

SERIAL CARD

B5/B6 | B1

OFF DN | 1 2

B4 | B3

OFF DN | 6 5 4 | 3 2 1

B2 | B1

6 5 4 | 3 2 1

Input B1-B2-B3-B4			
Input	1	2	3
0/1V	OFF	OFF	OFF
NTC	DN	OFF	OFF
0/20mA	OFF	DN	OFF
0/5V	OFF	OFF	DN

Input B5-B6		
Input	digital input	NTC
DN	OFF	OFF

B5/B6 | B1

OFF DN | 1 2

B4 | B3

OFF DN | 6 5 4 | 3 2 1

B2 | B1

6 5 4 | 3 2 1

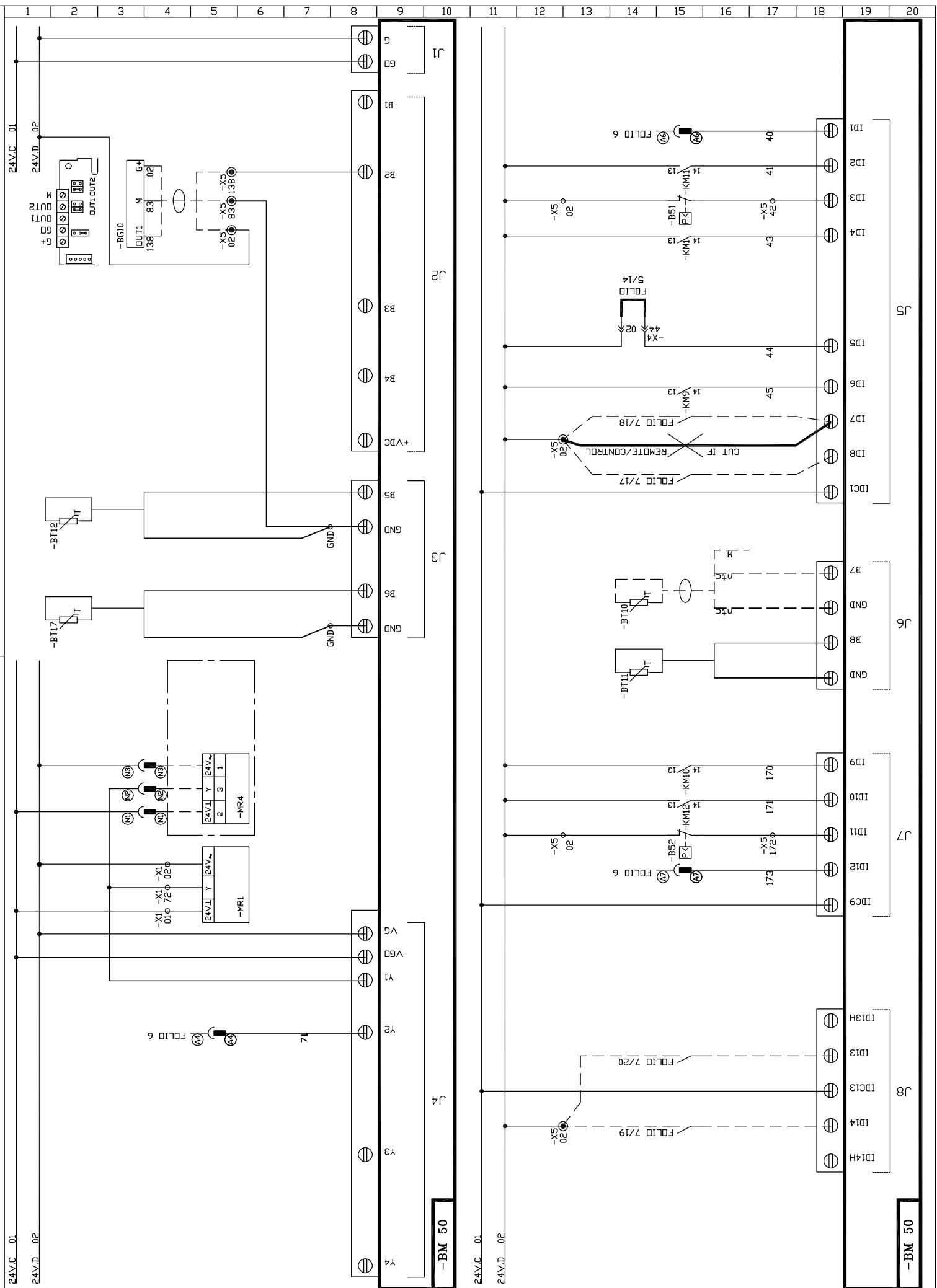
  

Input B1-B2-B3-B4			
Input	1	2	3
0/1V	OFF	OFF	OFF
NTC	DN	OFF	OFF
0/20mA	OFF	DN	OFF
0/5V	OFF	OFF	DN

Input B5-B6		
Input	digital input	NTC
DN	OFF	OFF

AVEC TCB SANS CARTE EXTENSION  
WITHOUT EXTENSIONBOARD BE50



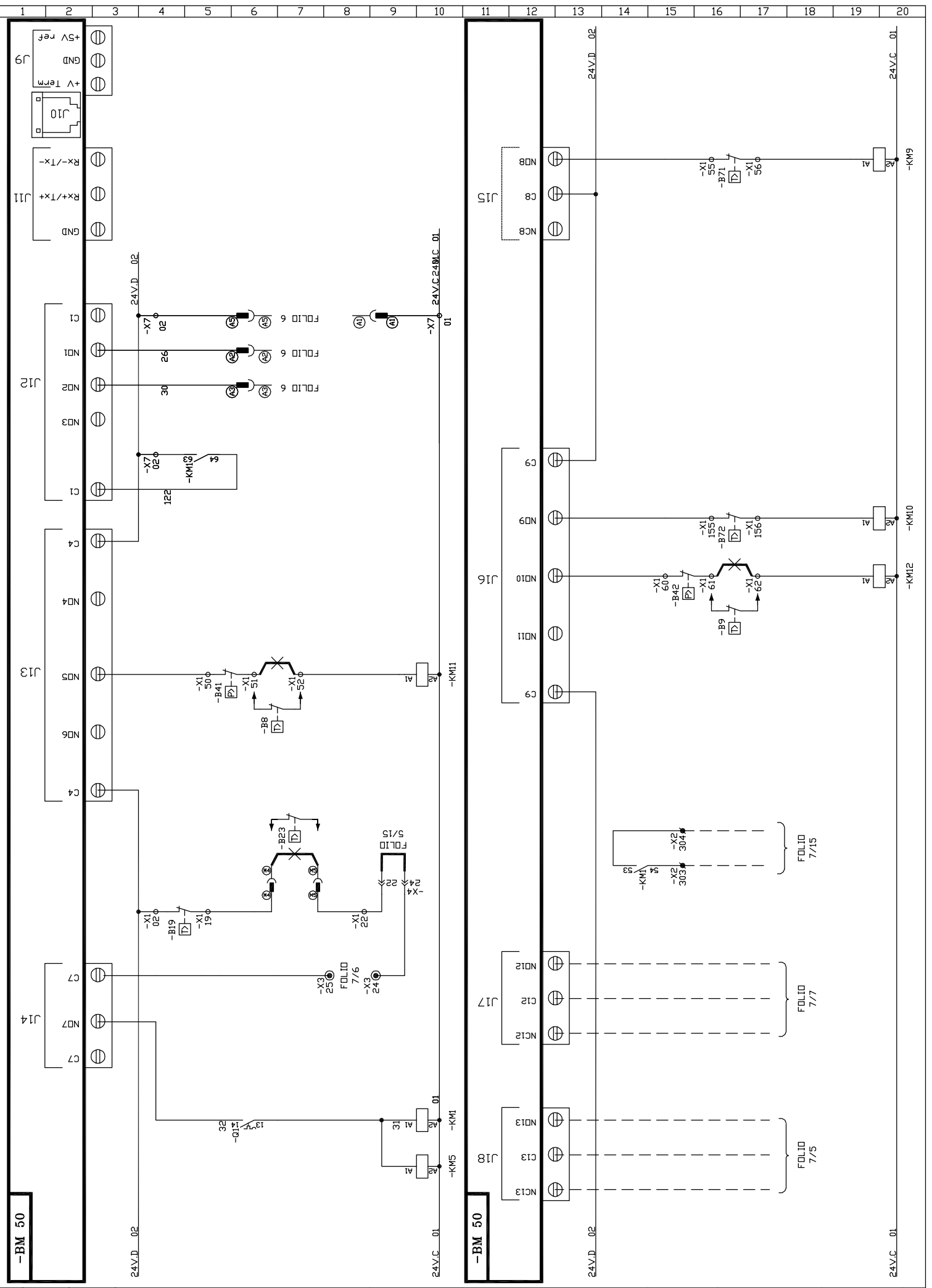
Indice	DATE	NOM	MODIFICATIONS

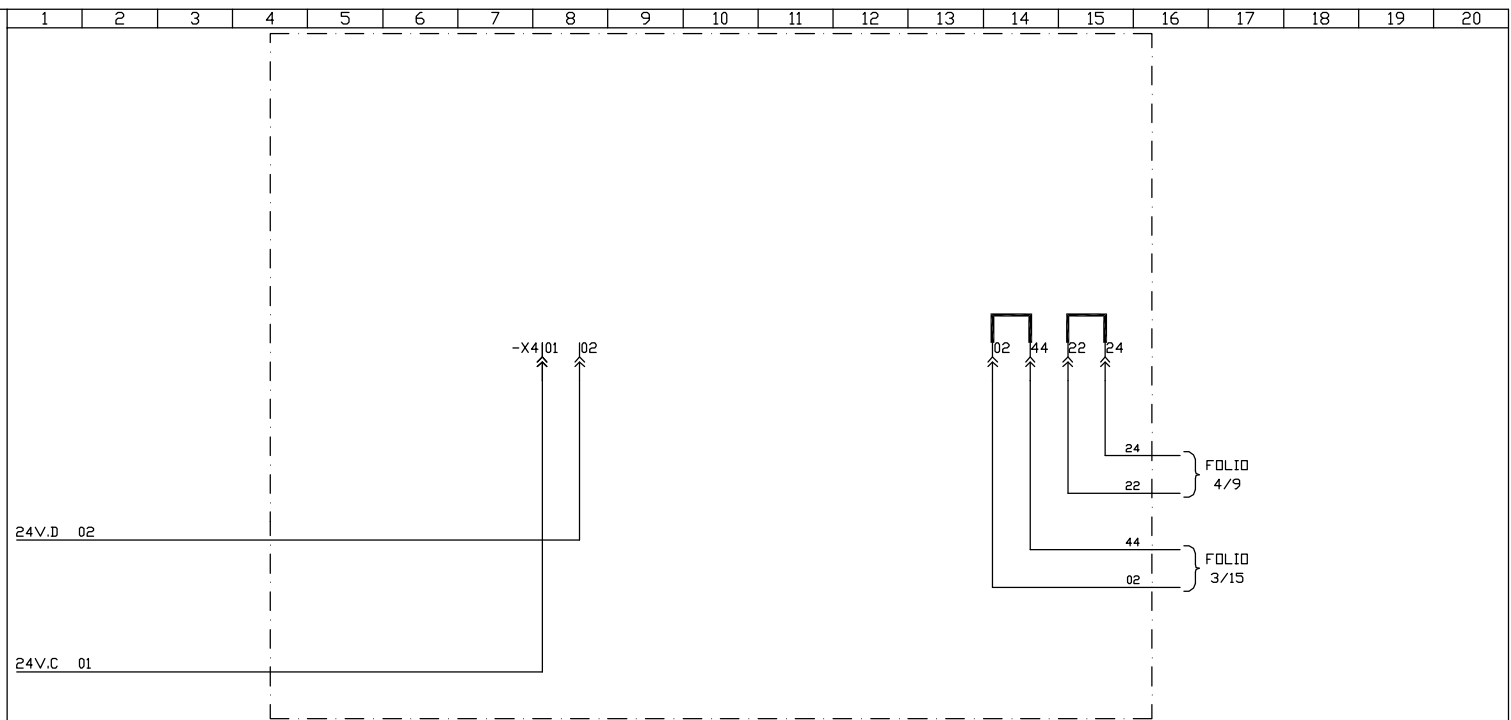
(1) BCK 070 HD  
Entrées Automate CLIMATIC 50  
Climatic 50 Controller Input

Dessine: T/Y  
Date: 18.10.05

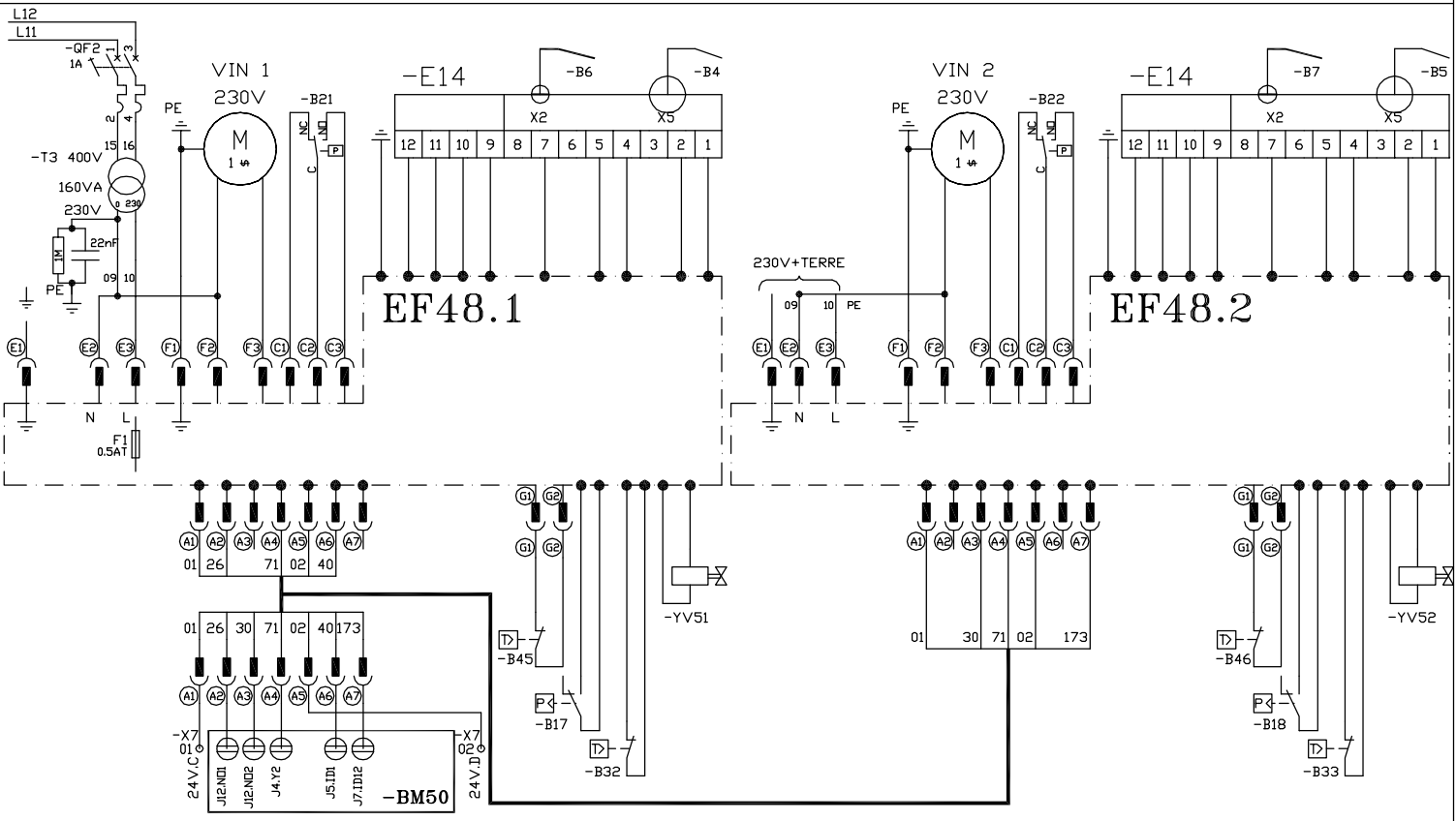


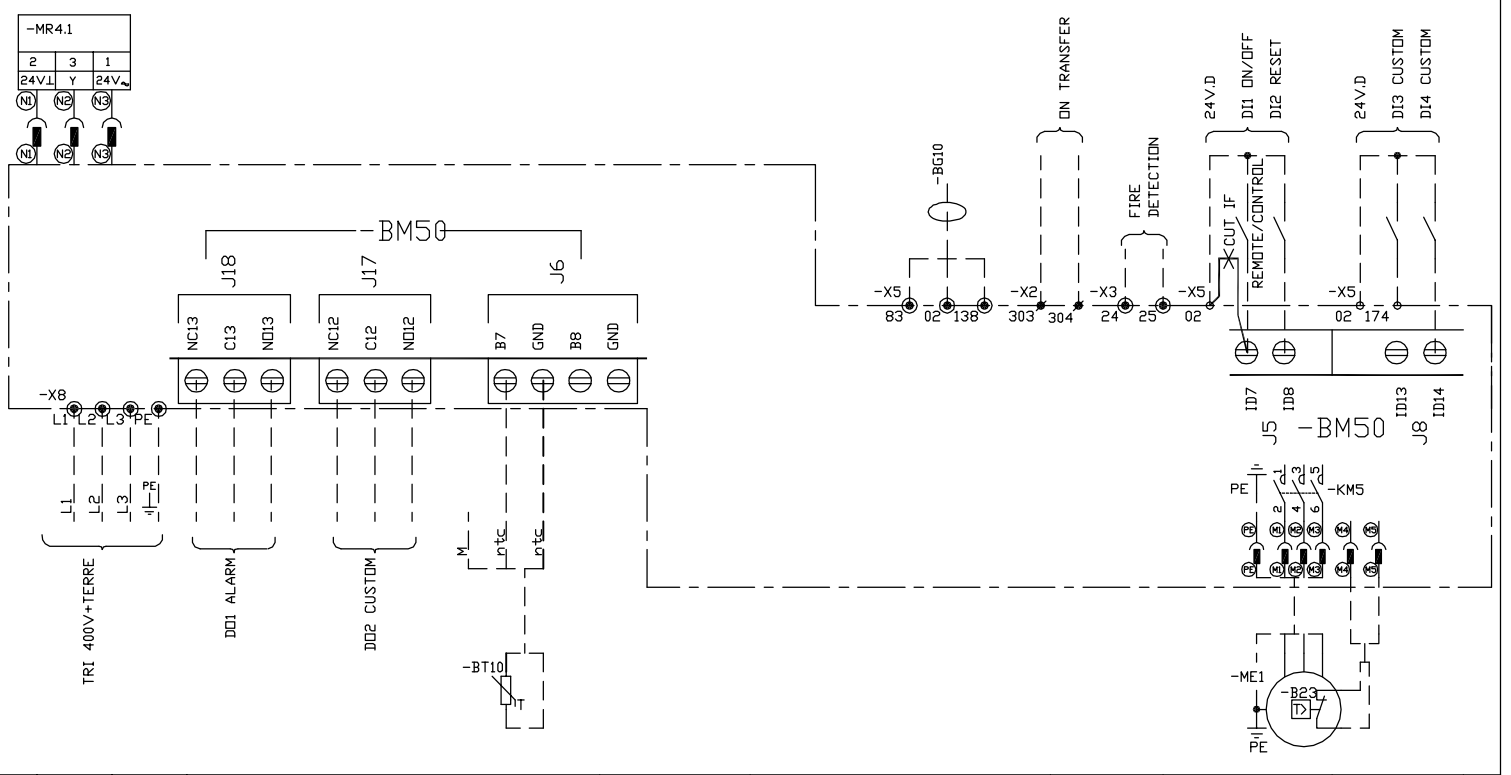
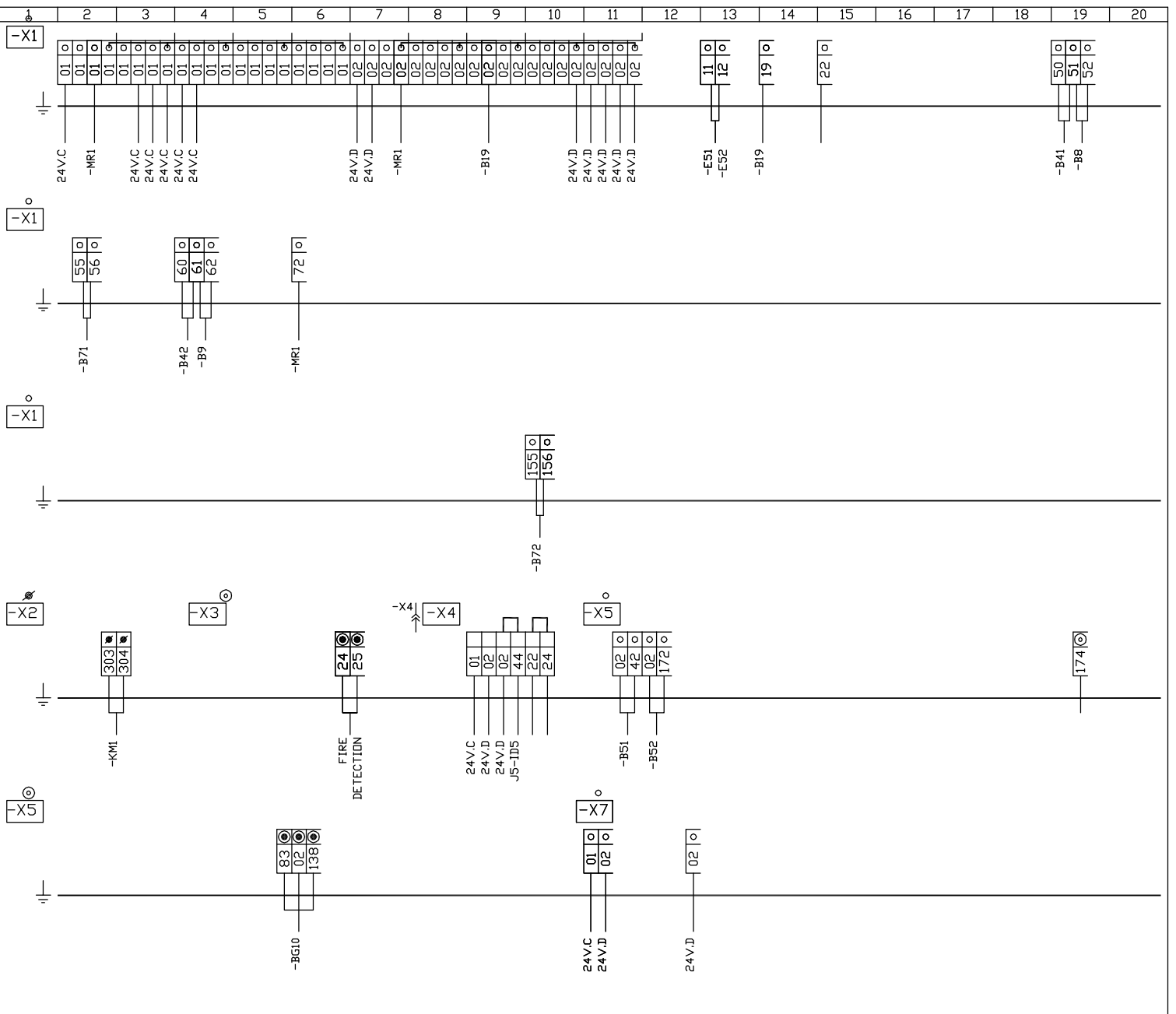
244945 3/11





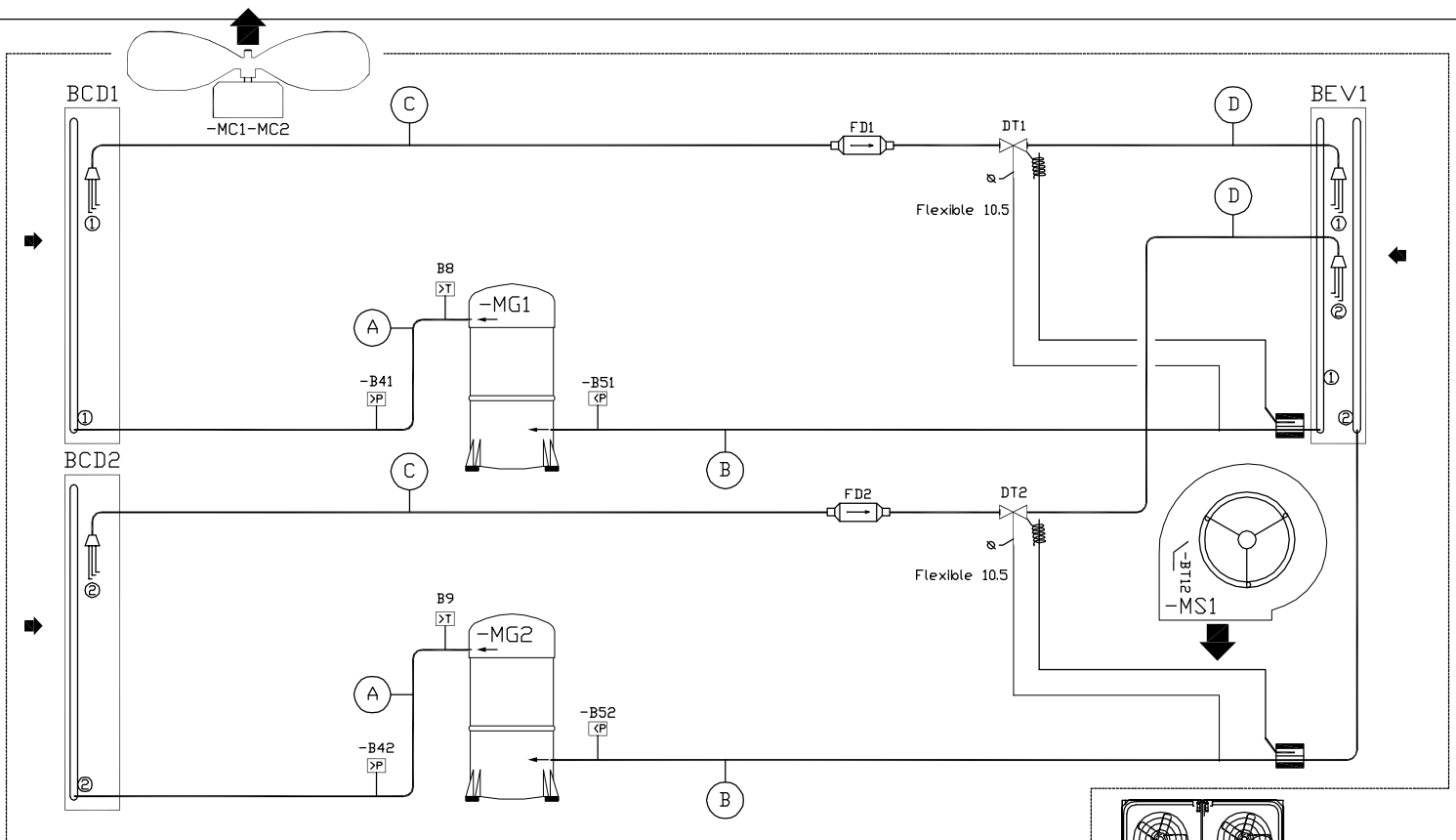
1	2	3	4	5	6	7	8	9	10	11	12	13	14	15	16	17	18	19	20				
REPERE	REFERENCE				CODE	Nb																	
-GF2	C60N 1A BIPOL COURBE D				4480589E	1																	
-T3	160VA 400V/230V				4430125R	1																	
-RC	CIRCUIT RC 1MEG0HM - 22nF				4770012Z	1																	
-EF48.1.2	-EF48				4770624Z	2																	



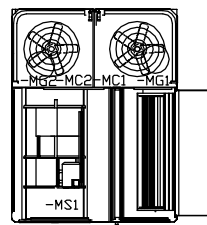








BOX	30/35	40	-MG1	45	-MG2	50	60	70
D	5/8"	5/8"	5/8"	7/8"	7/8"	7/8"	7/8"	7/8"
C	1/2"	1/2"	1/2"	5/8"	5/8"	5/8"	5/8"	5/8"
B	7/8"	1 1/8"	1 1/8"	1 1/8"	1 1/8"	1 3/8"	1 3/8"	1 3/8"
A	5/8"	7/8"	7/8"	7/8"	7/8"	7/8"	7/8"	7/8"



Indice	DATE	NOM	MODIFICATIONS

(1) BCK 070 HD  
 Schéma Frigorifique \ Hydraulique  
 Cooling \ Hydraulic Diagram

Dessine: T/Y  
 Date: 18.10.05



244945 9/11  
 USINE DE LONGVIC



