

-Q 20/25 A -Q 20/25 A
 4x 6 mm2 4x 6 mm2

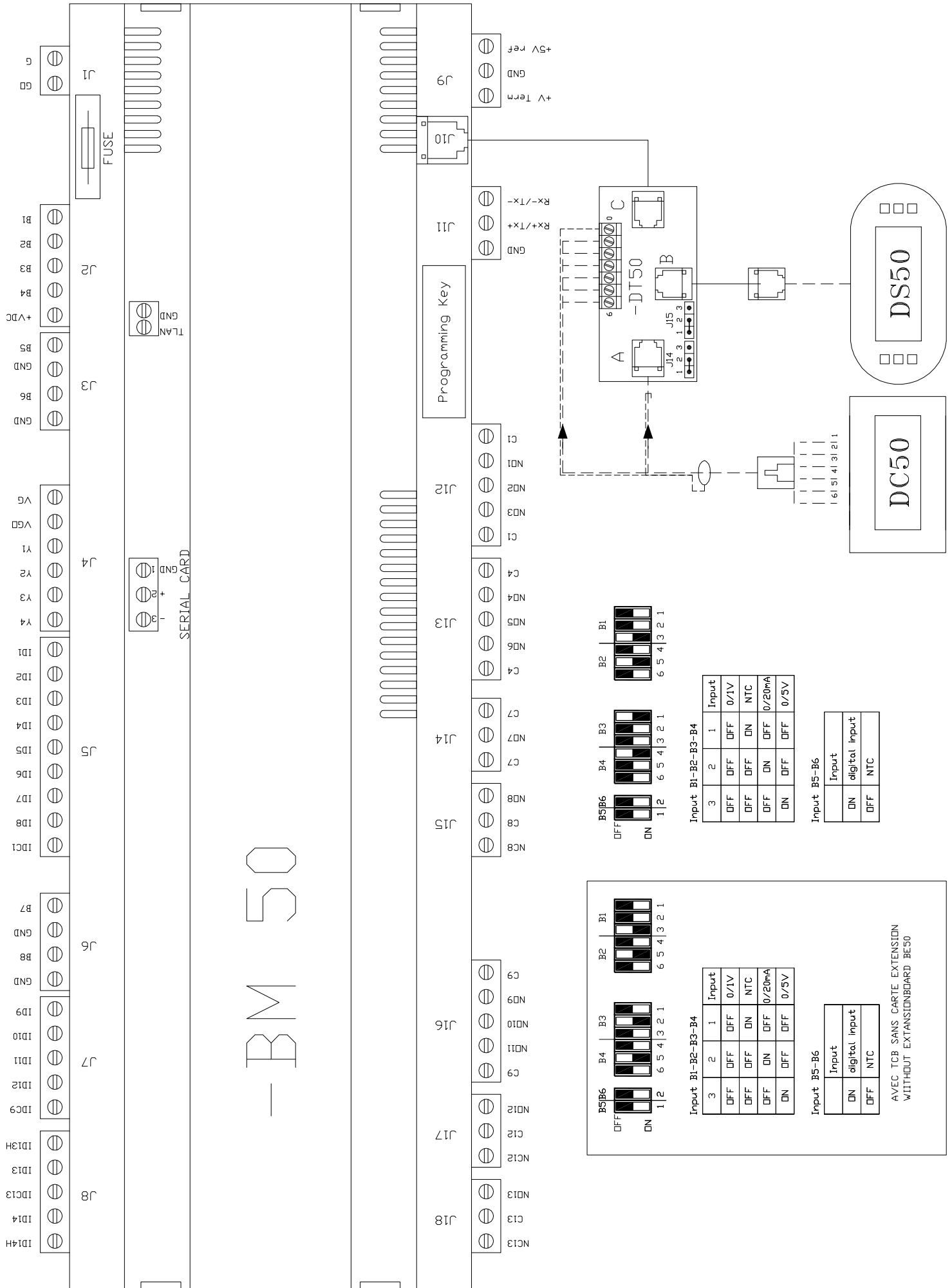
MTZ125 HU4	MTZ125 HU4
Imax= 27 A	Imax= 27 A
In= 17.9 A	In= 17.9 A
Pa= 11.5 kW	Pa= 11.5 kW
Id= 105 A	Id= 105 A

-MG1 -MG2

-Q 6/10A
 4x 1.5 mm2 4x 1.5 mm2

HRT6.710/30	*HRT6.710/30*
Pn= 0.8 kW	Pn= 0.8 kW
In= 2.3 A	In= 2.3 A
Pa= 1.3 kW	Pa= 1.3 kW
Id= / A	Id= / A

-MC1 -MC2



- BM 50

Indice	DATE	NOM	MODIFICATIONS

BGK70ASDA
Automate CLIMATIC 50
Climatic 50 Controller

Dessine: MB
Date: 25.08.04



BGK 070 2/11
USINE DE LONGVIC

B1 B2 B3 B4 B5 B6

OFF	DN
DN	DN

1 | 2 6 5 4 | 3 2 1

B1 B2 B3 B4 B5 B6

OFF	DN
DN	DN

1 | 2 6 5 4 | 3 2 1

B1 B2 B3 B4 B5 B6

OFF	DN
DN	DN

1 | 2 6 5 4 | 3 2 1

Input B1-B2-B3-B4

3	2	1	Input
OFF	OFF	OFF	0/1V
OFF	OFF	DN	NTC
OFF	DN	OFF	0/20mA
DN	OFF	OFF	0/5V

Input B5-B6

Input	digital input
DN	NTC
OFF	NTC

B1 B2 B3 B4 B5 B6

OFF	DN
DN	DN

1 | 2 6 5 4 | 3 2 1

B1 B2 B3 B4 B5 B6

OFF	DN
DN	DN

1 | 2 6 5 4 | 3 2 1

B1 B2 B3 B4 B5 B6

OFF	DN
DN	DN

1 | 2 6 5 4 | 3 2 1

Input B1-B2-B3-B4

3	2	1	Input
OFF	OFF	OFF	0/1V
OFF	OFF	DN	NTC
OFF	DN	OFF	0/20mA
DN	OFF	OFF	0/5V

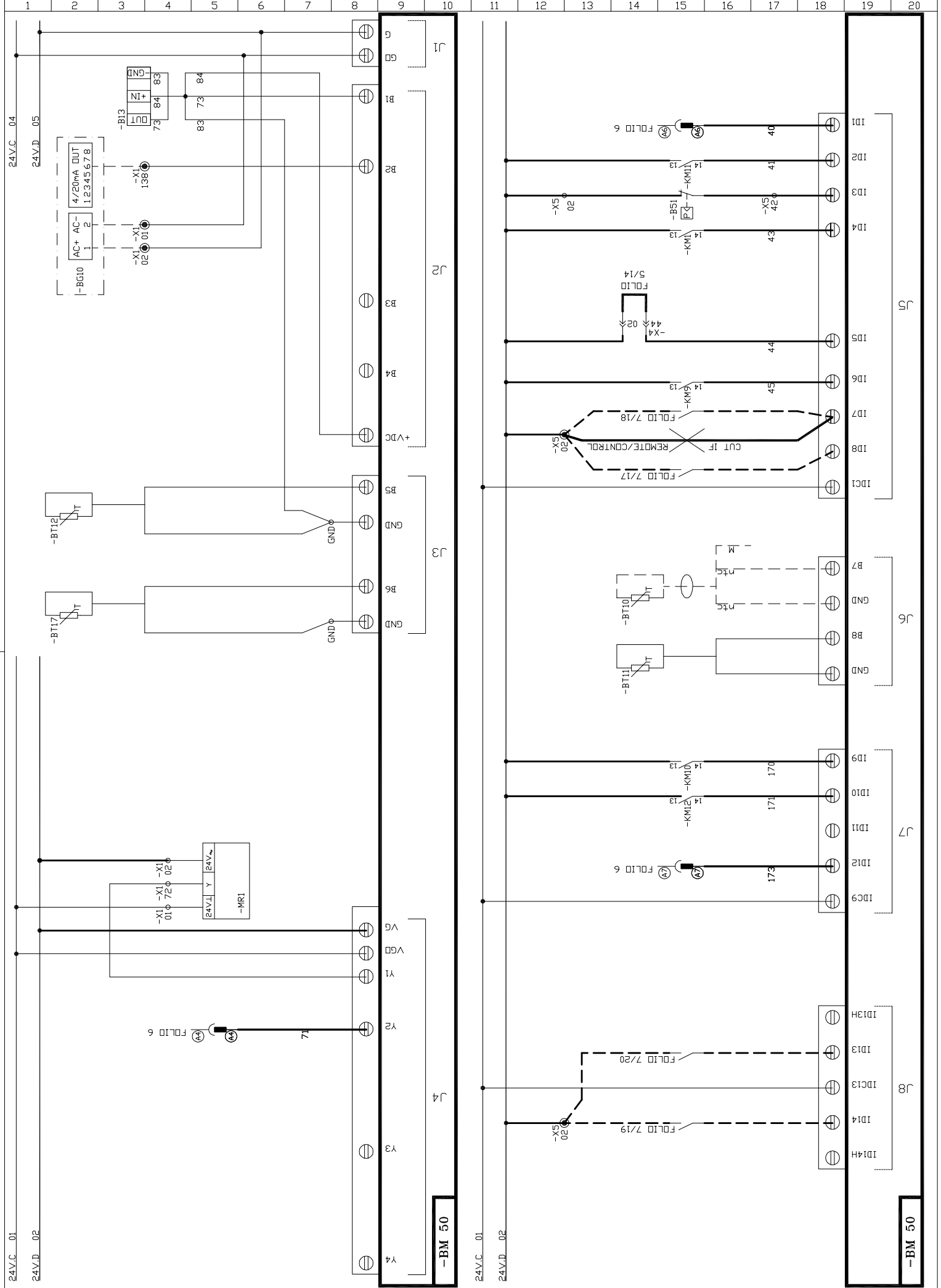
Input B5-B6

Input	digital input	NTC
DN	digital input	NTC
OFF	NTC	NTC

AVEC TCB SANS CARTE EXTENSION
WITHOUT EXTENSIONBOARD BE50

3	2	1	Input
OFF	OFF	OFF	0/1V
OFF	OFF	DN	NTC
OFF	DN	OFF	0/20mA
DN	OFF	OFF	0/5V

Input	digital input
DN	digital input
OFF	NTC



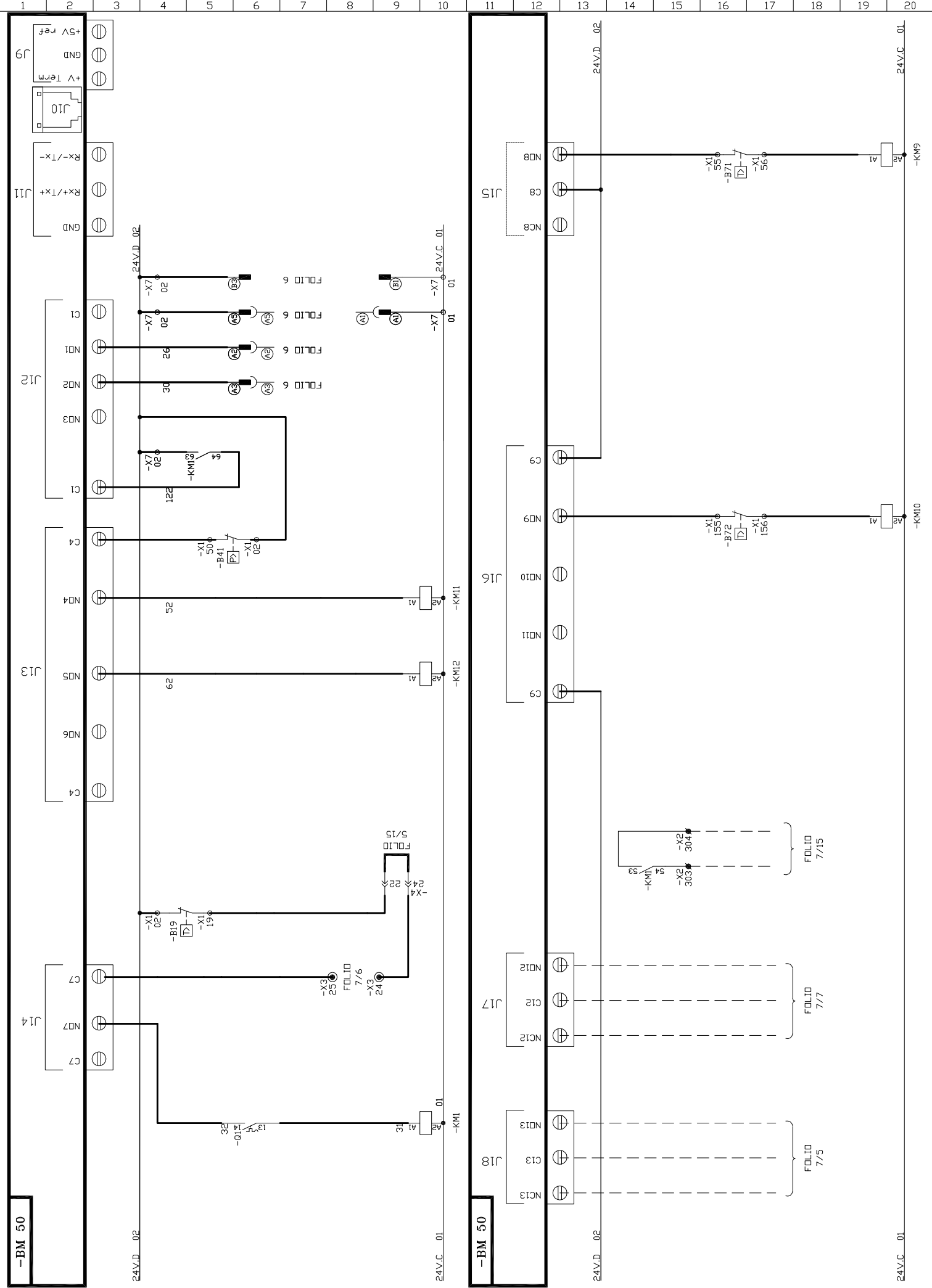
24V.C. 01		24V.D. 02		24V.C. 02		24V.D. 05	
B	05.12.07	TY		+	-BG10		
A	17-08-07	F-R		CHANGER REPERE ALIM J1 (01-02_FN_04-05)			
Indice	DATE	NOM		MODIFICATIONS			

BGK70ASDA
Entrées Automate CLIMATIC 50
Climatic 50 Controller Input

Dessine: MB
Date: 25.08.04



BGK 070 3/11
B



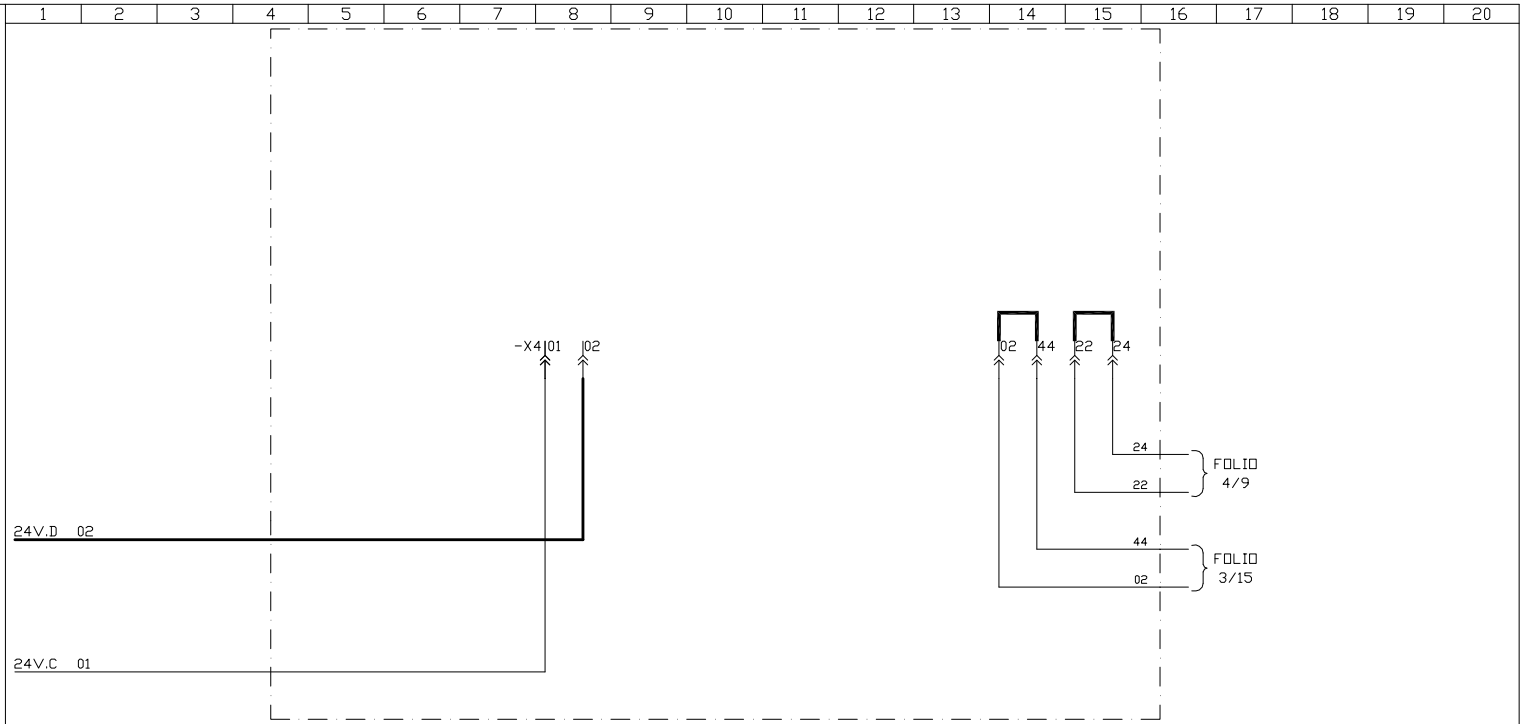
Indice	DATE	NOM	MODIFICATIONS

BGK70ASDA
Sorties Automate CLIMATIC 50
Climatic 50 Controller Outputs

Dessine: MB
Date: 25.08.04



BGK 070 4/11



Indice	DATE	NOM	MODIFICATIONS

BGK70ASDA
DAD \ BE50
DAD \ BE50

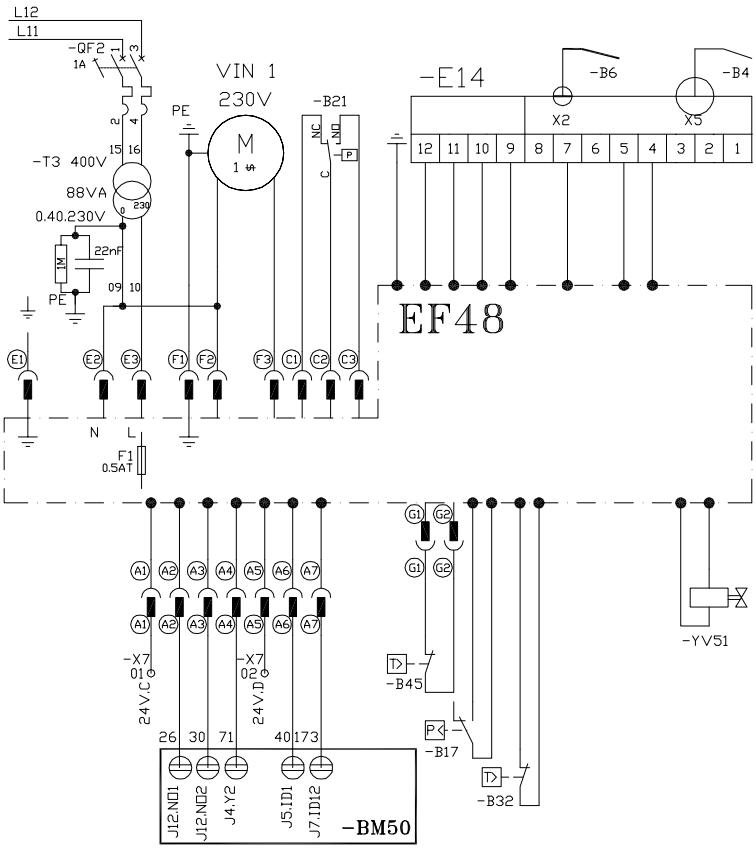
Dessine: MB
Date: 25.08.04



BGK 070 5/11

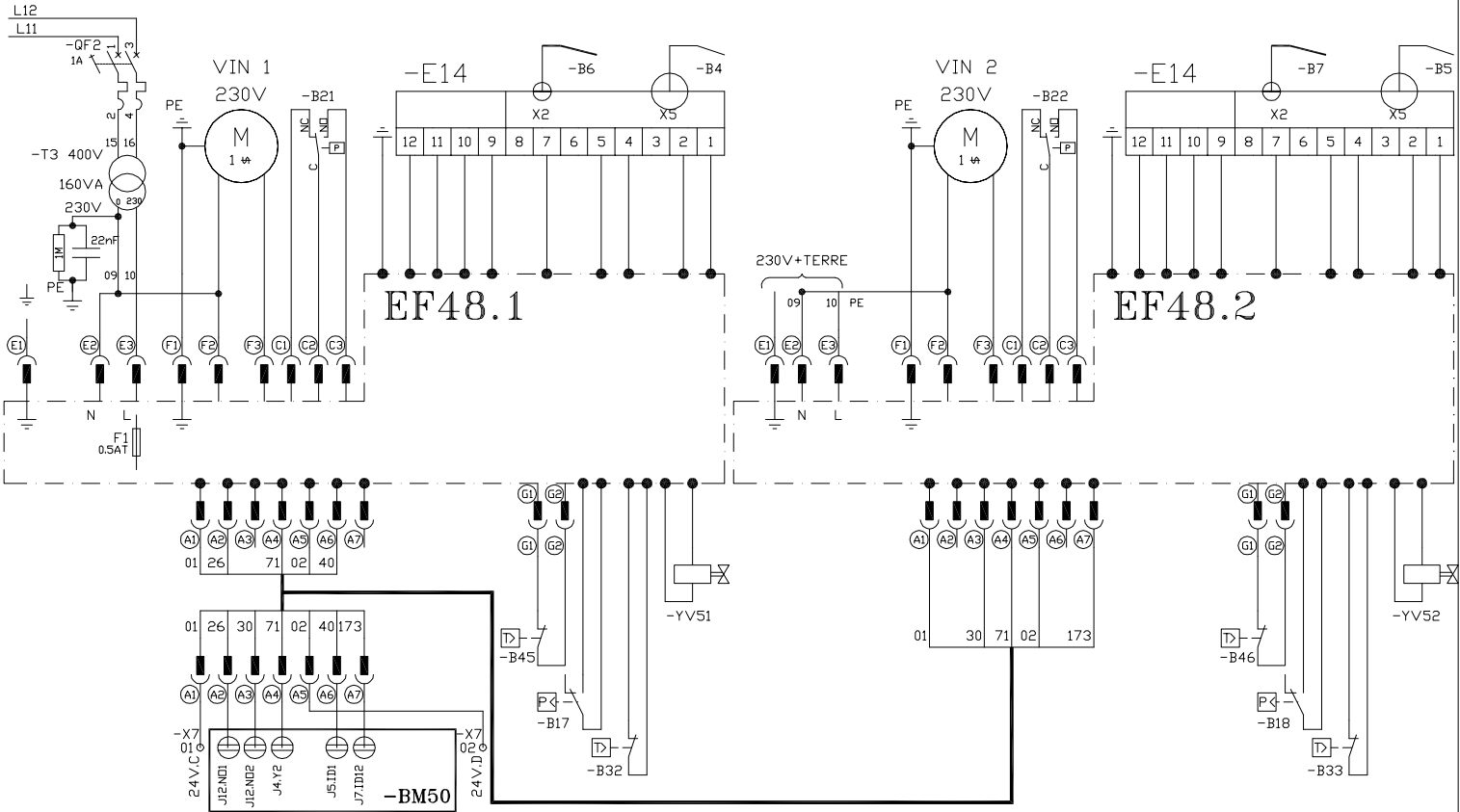
REPERE	REFERENCE	CODE	Nb
-QF2	C60N 1A BIPOL COURBE D	4480589E	1
-T3	88VA 400V/40V/230V	4430131Z	1
-RC	CIRCUIT RC 1MEGDHM - 22nF	4770012Z	1
-EF48	-EF48	4770624Z	1

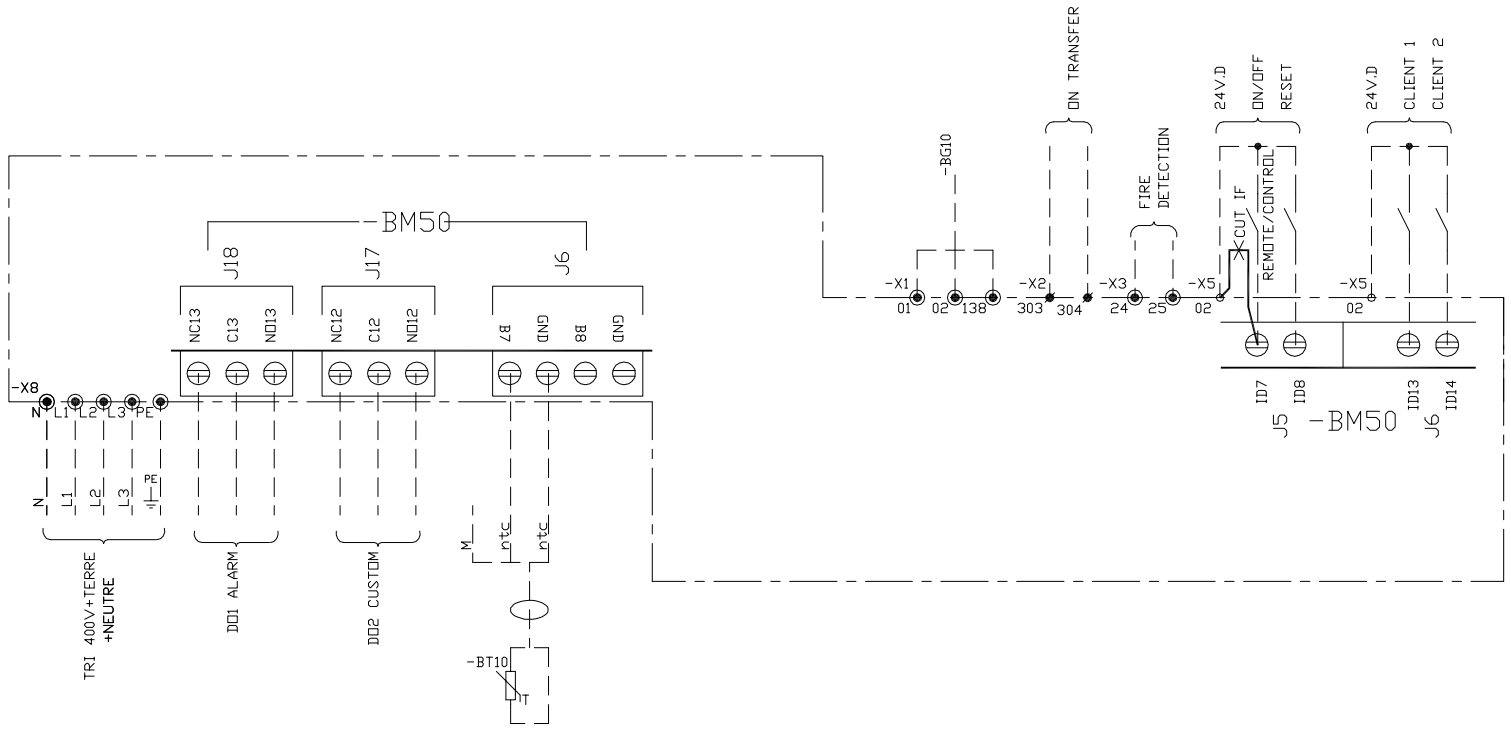
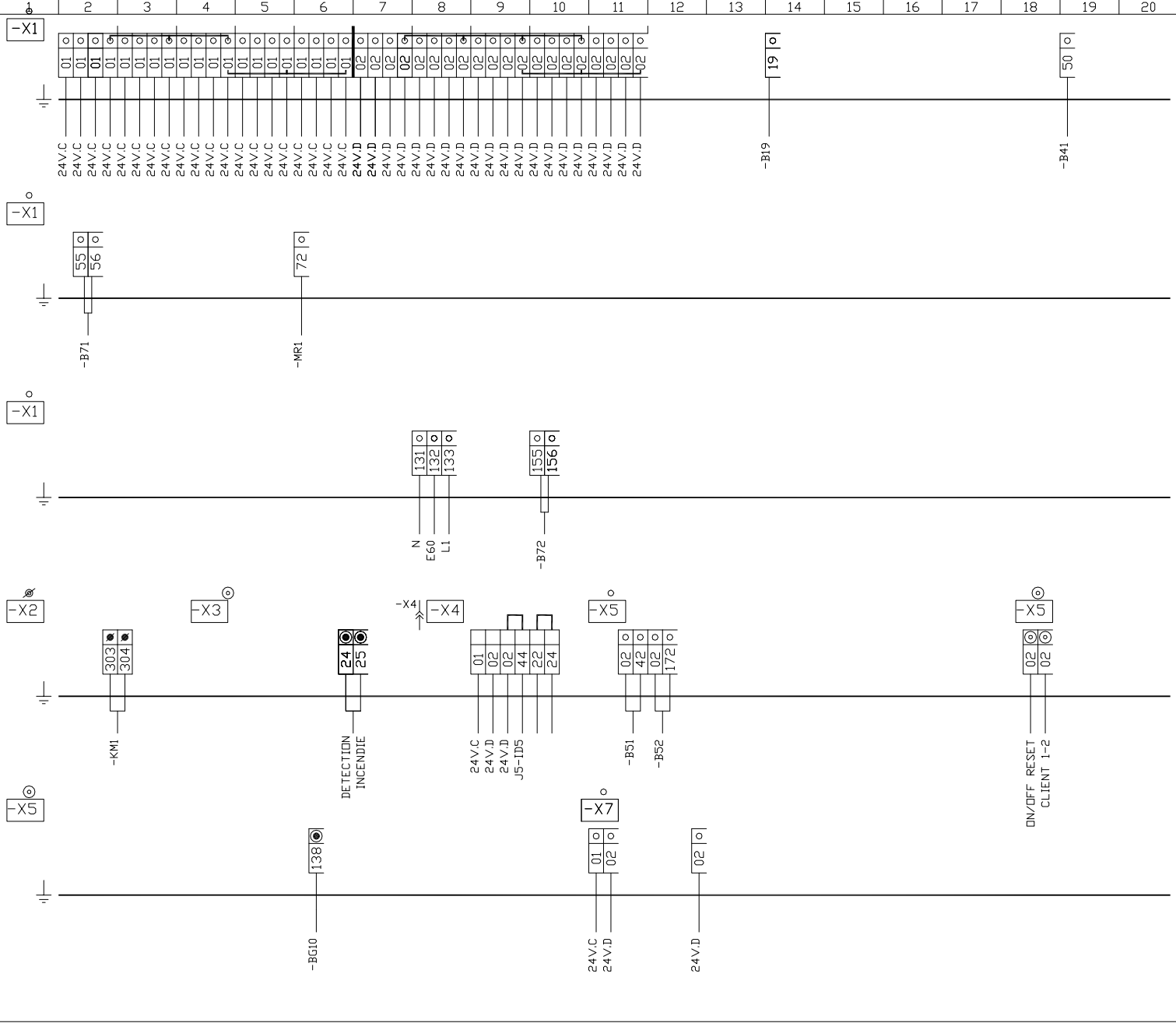
STANDARD S 60kW



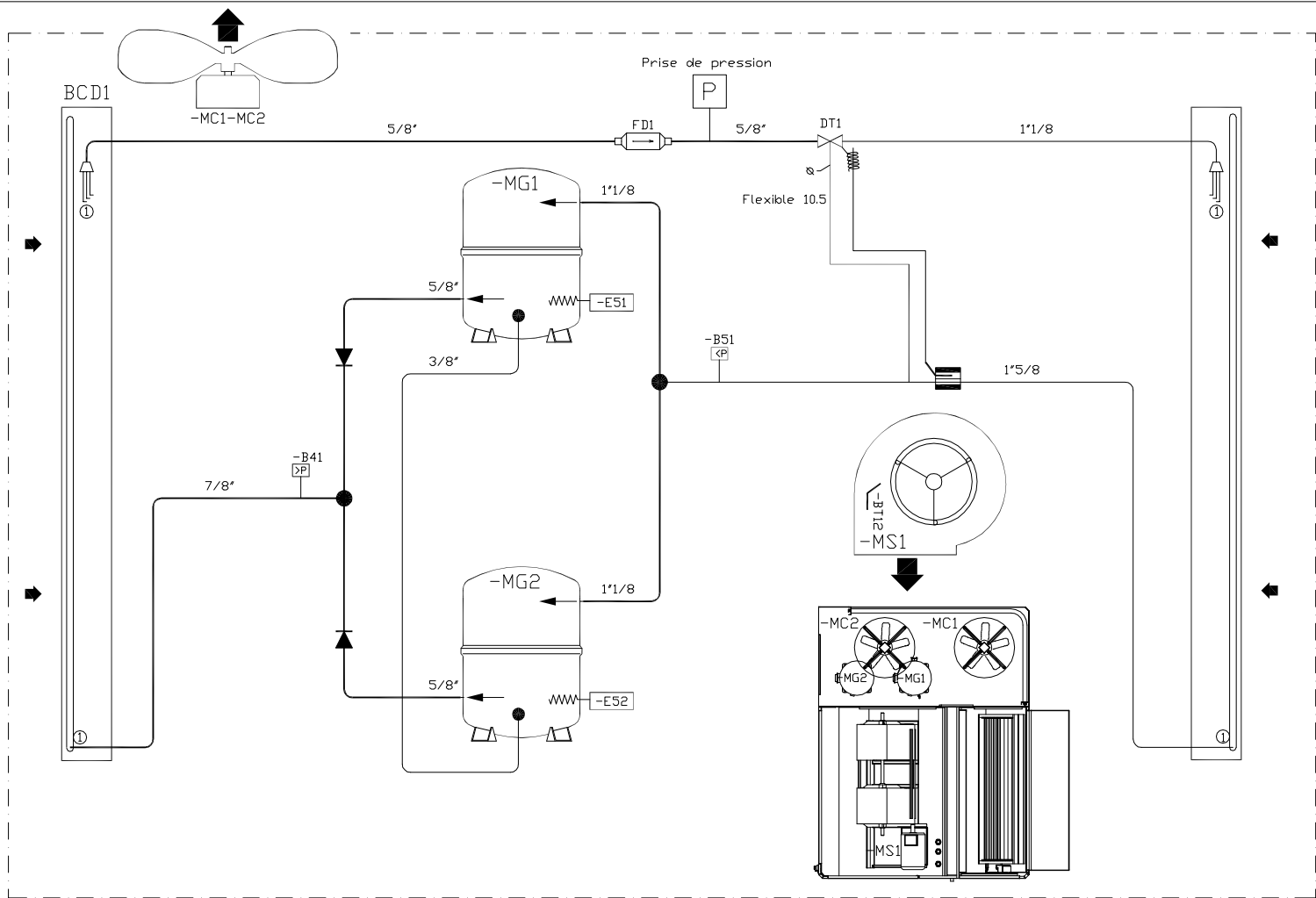
REPERE	REFERENCE	CODE	Nb
-QF2	C60N 1A BIPOL COURBE D	4480589E	1
-T3	160VA 400V/230V	4430125R	1
-RC	CIRCUIT RC 1MEGDHM - 22nF	4770012Z	1
-EF48.1,2	-EF48	4770624Z	2

OPTION H 120kW





B	05.12.07	TY	+ -BG10	BGK70ASDA Borniers \ Raccordement Client Terminal Strip \ Customer	Dessine: MB Date: 25.08.04	 USINE DE LONGVIC	BGK 070 B	7/11
Indice	DATE	NOM	MODIFICATIONS					



Indice	DATE	NOM	MODIFICATIONS

BGK70ASDA
 Schéma Frigorifique \ Hydraulique
 Cooling \ Hydraulic Diagram

Dessine: MB
 Date: 25.08.04

LENNOX
 USINE DE LONGVIC

BGK 070 9/11

