
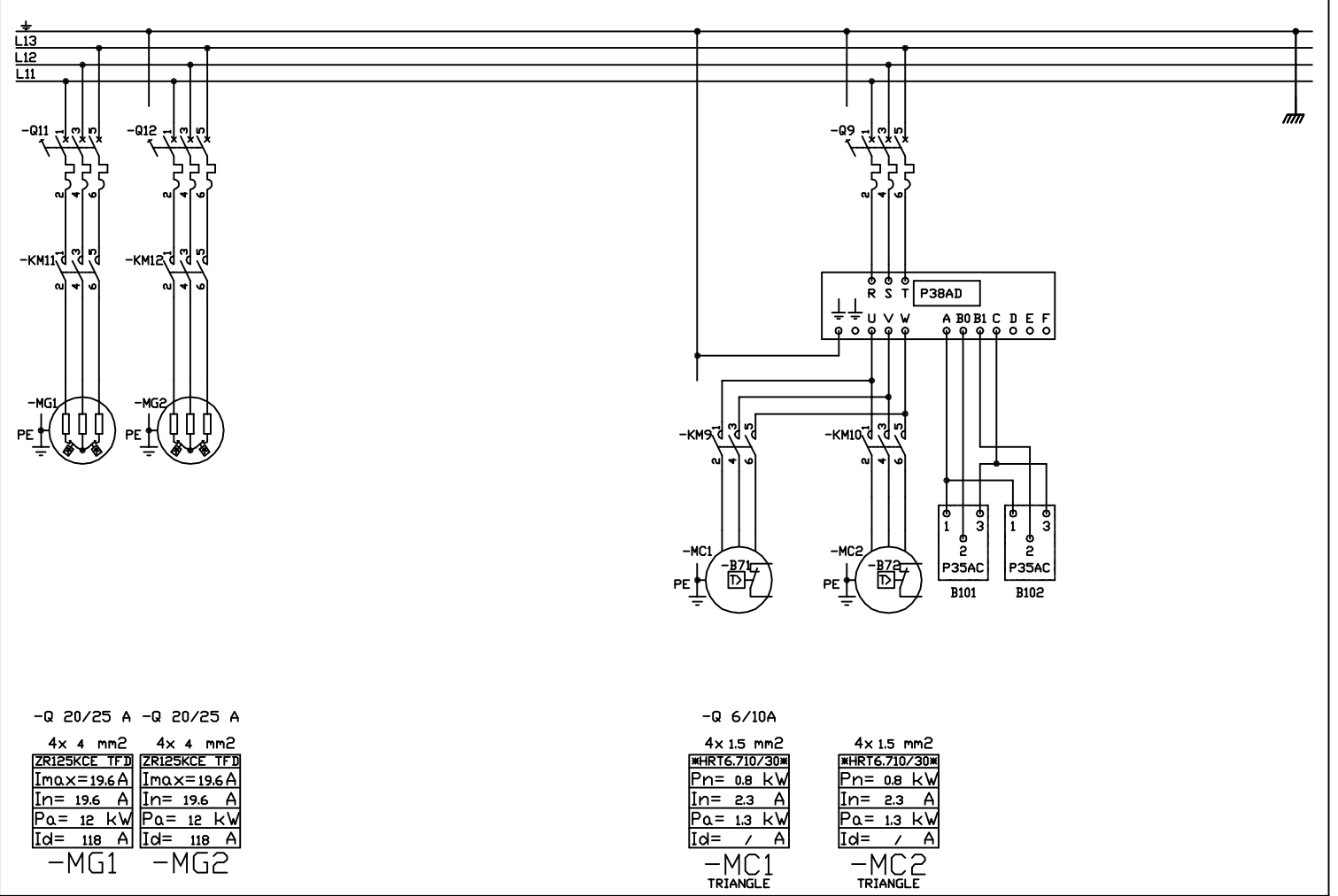
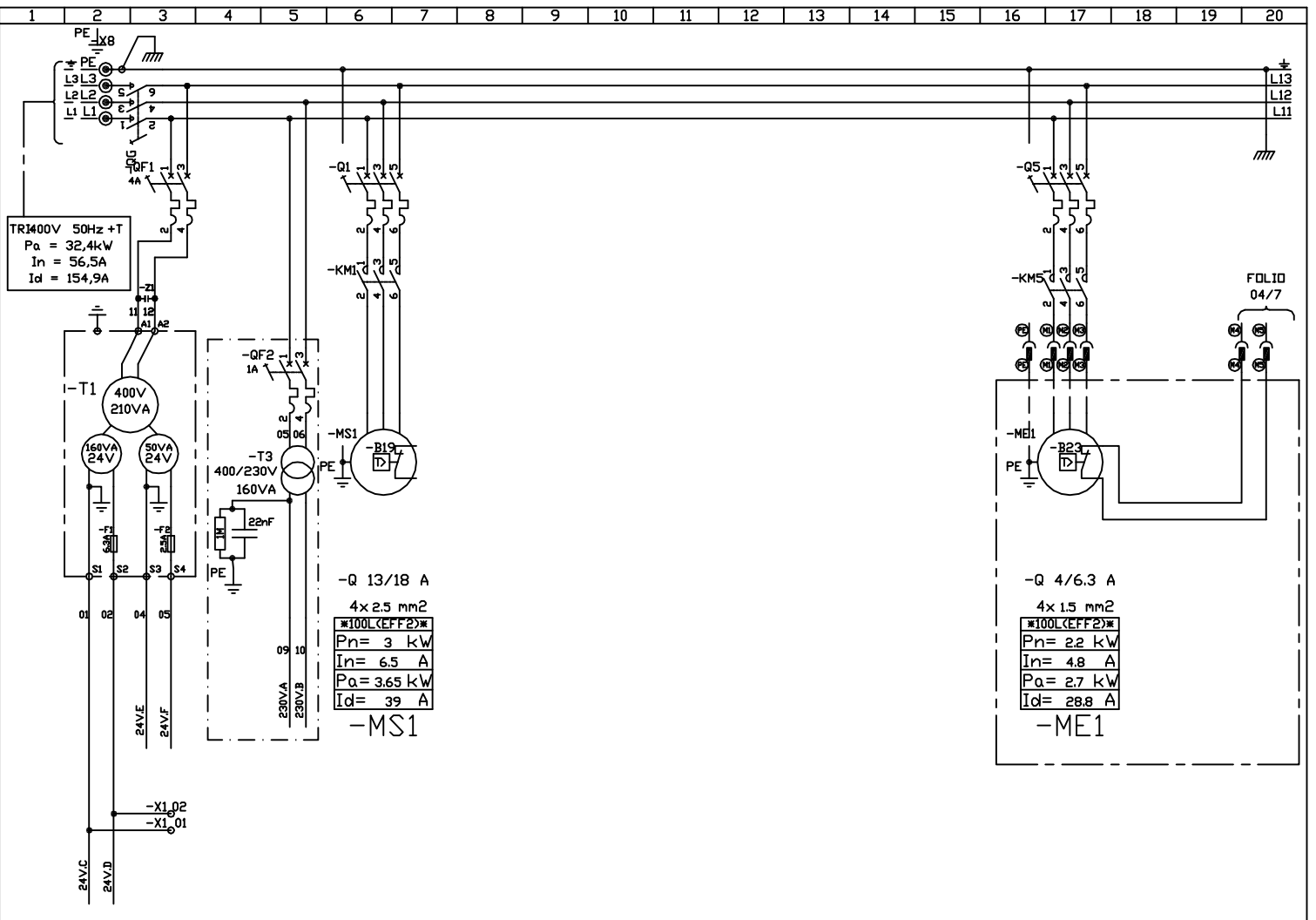
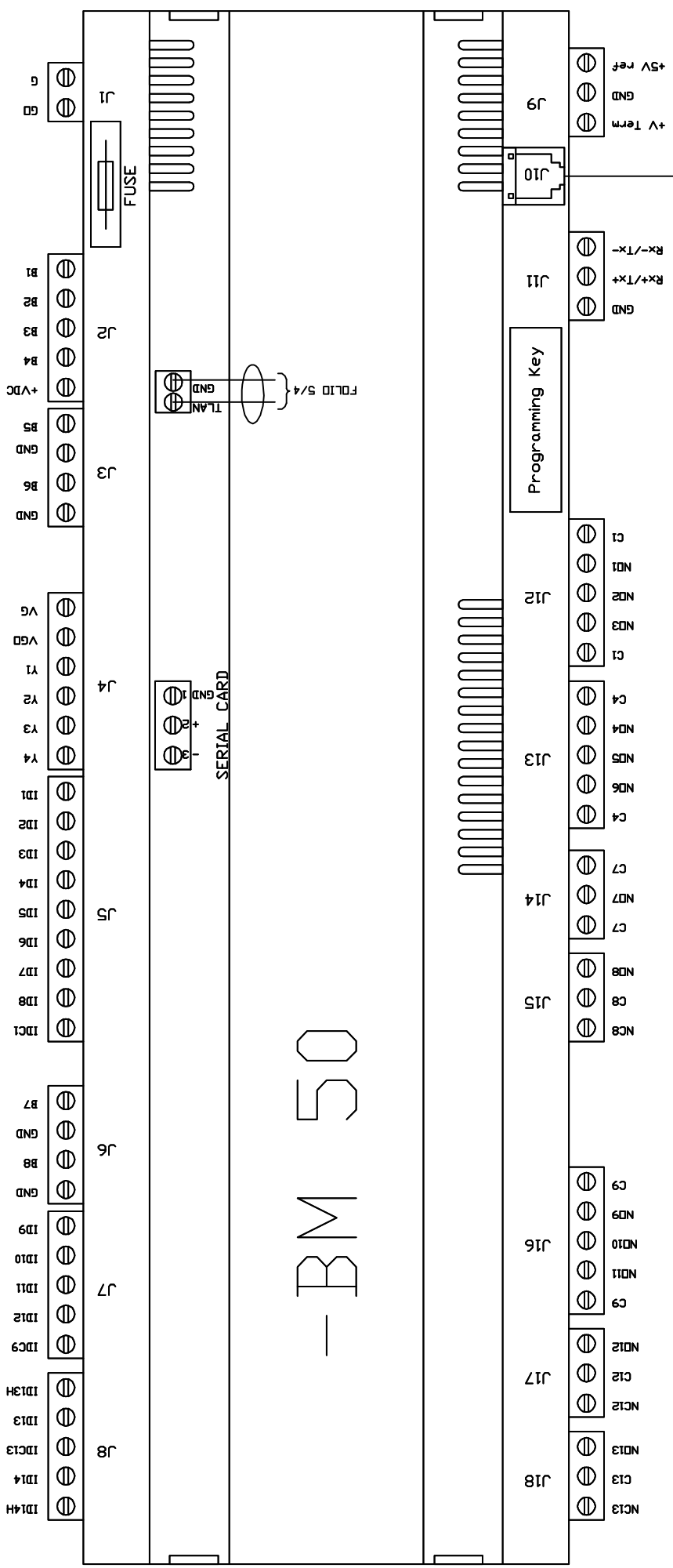
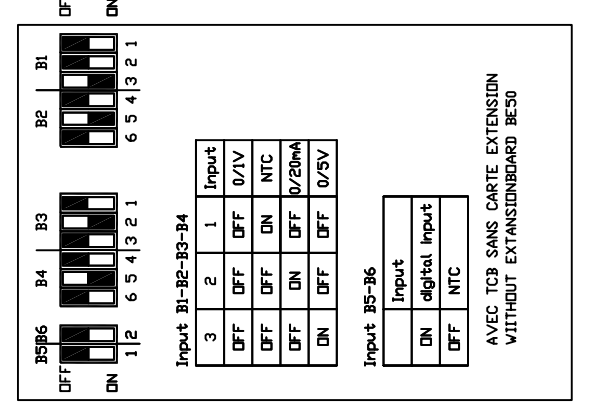
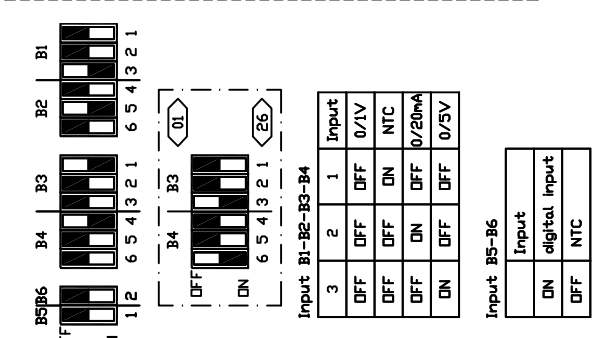
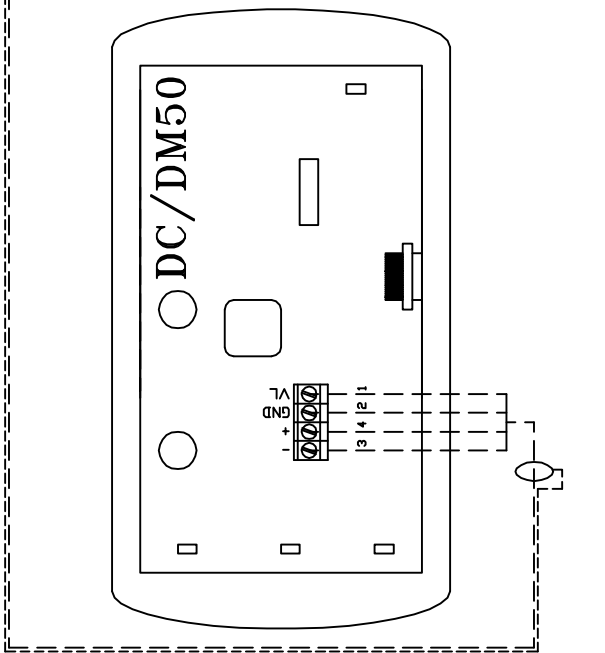
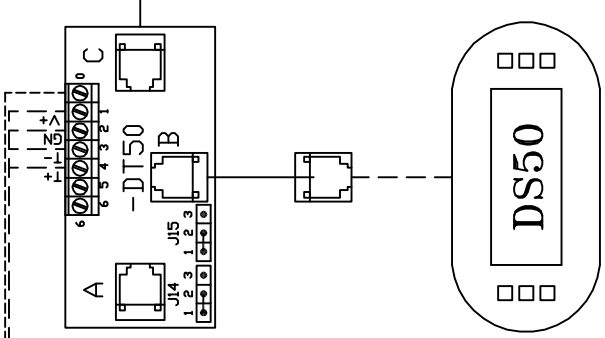


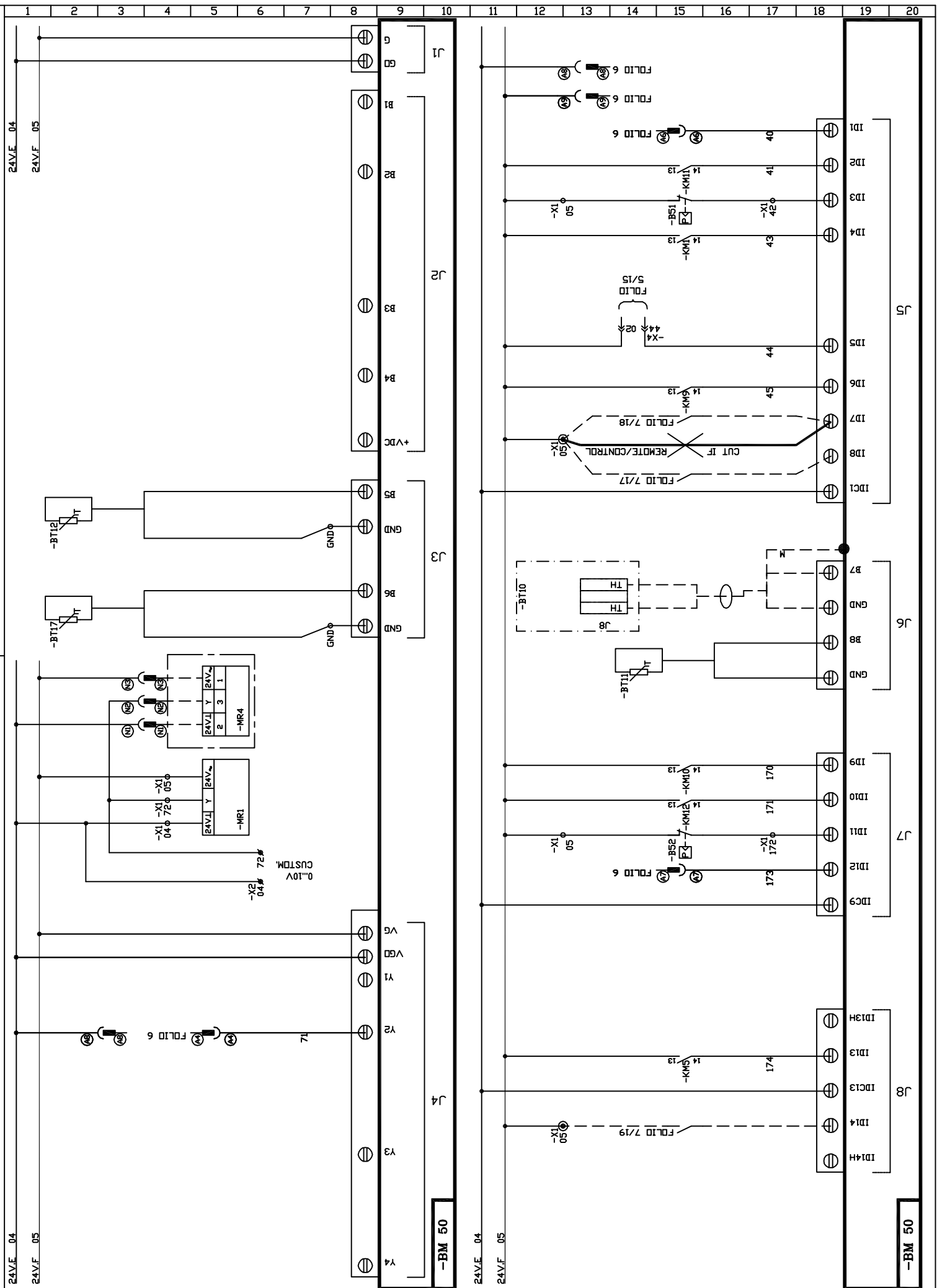
Indice	DATE	NOM	MODIFICATIONS
			
VUE Full			
(1) BGK 060 HD LENNOX UK		Dessine: T/Y Date: 14.08.07	PAGE DE GARDE <div style="border: 1px solid black; padding: 2px;"> 256376 </div> <div style="border: 1px solid black; padding: 2px;"> 0 / 11 </div>





- BM 50





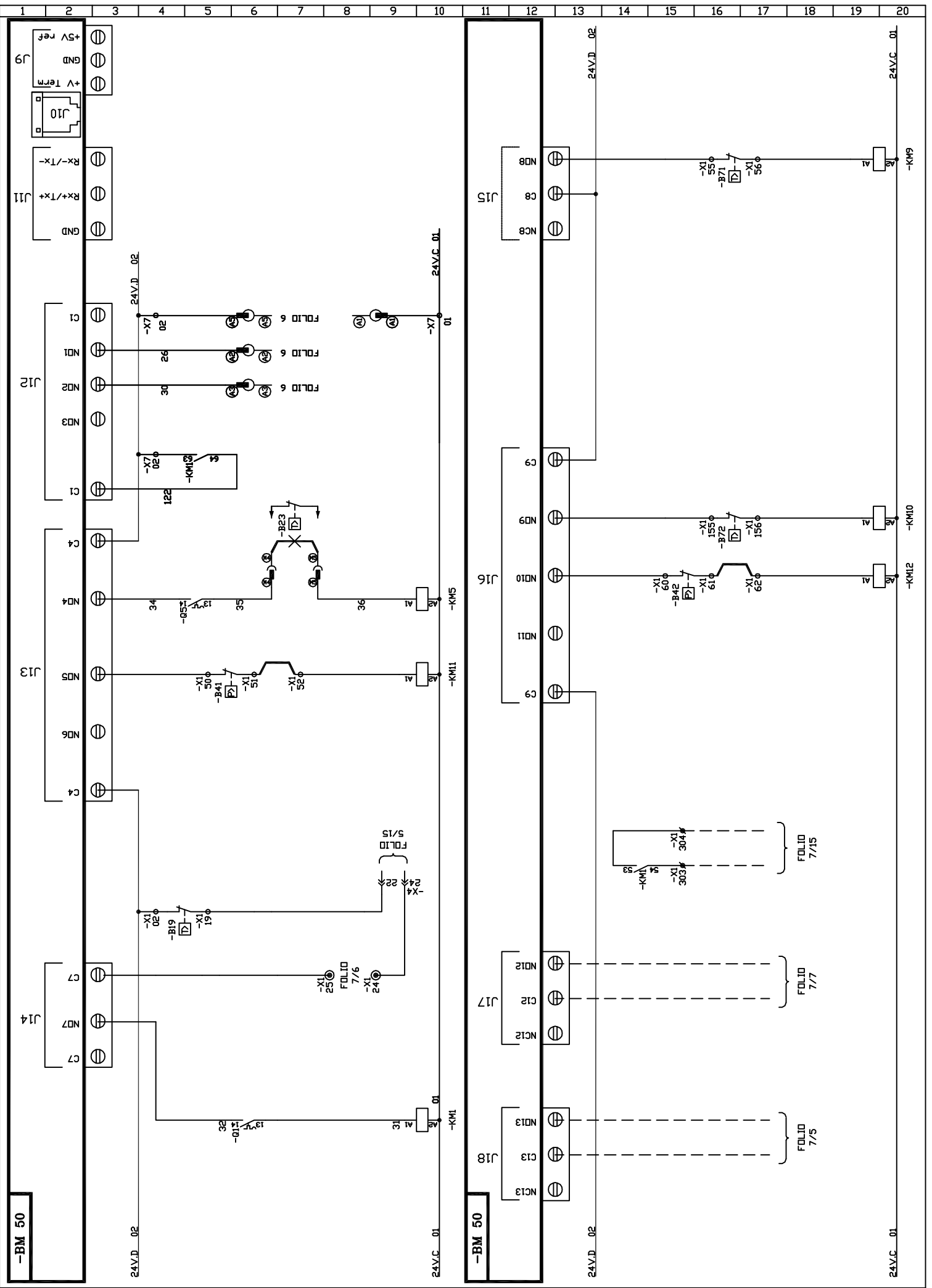
Indice	DATE	NOM	MODIFICATIONS

(1) BCK 060 HD
Entrées Automate CLIMATIC 50
Climatic 50 Controller Input

Dessine: T/Y
Date: 14.08.07



256376 3/11



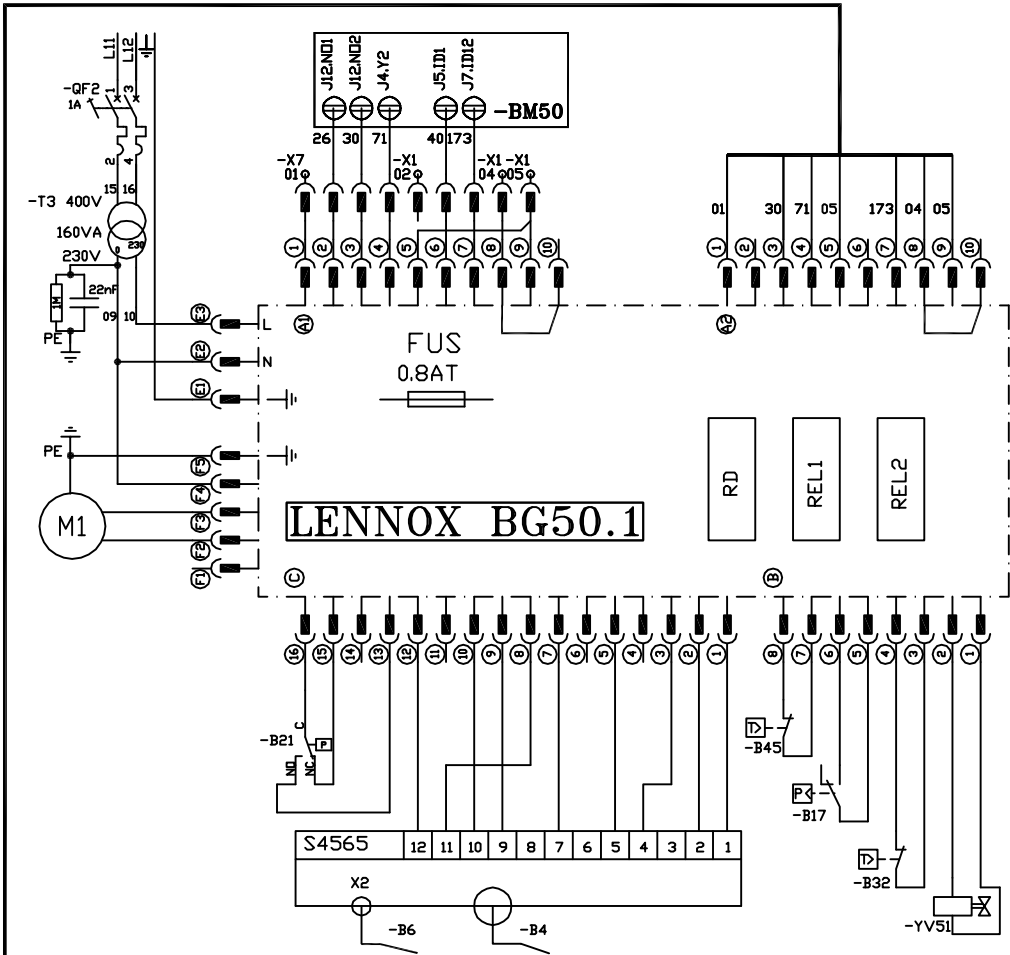
Indice	DATE	NOM	MODIFICATIONS

(1) BCK 060 HD
Sorties Automate CLIMATIC 50
Climatic 50 Controller Outputs

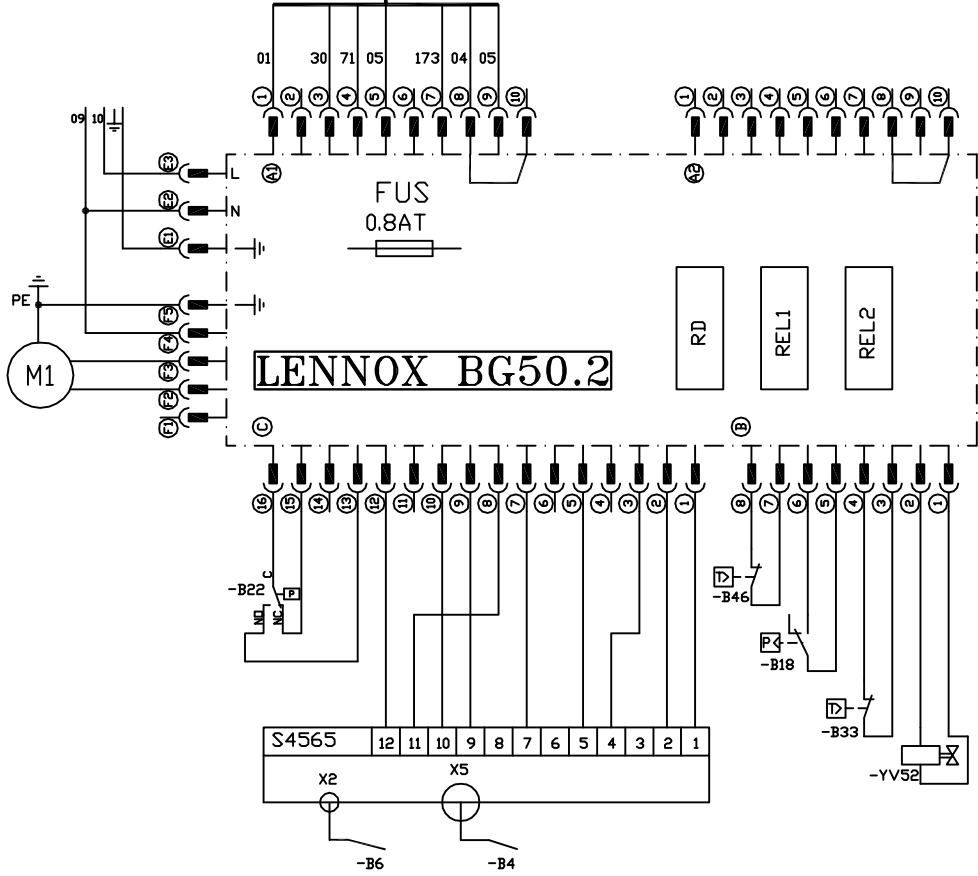
Dessine: T/Y
Date: 14.08.07



256376 4/11



REPÈRE	REFERENCE	CODE	Nb
-QF2	C60N 1A BIPOL COURBE D	4480589E	1
-T3	160VA 400V/230V	4430125R	1
-RC	CIRCUIT RC 1MEGDHM - 22nF	4770012Z	1
BG50	BG50	4770634P	2



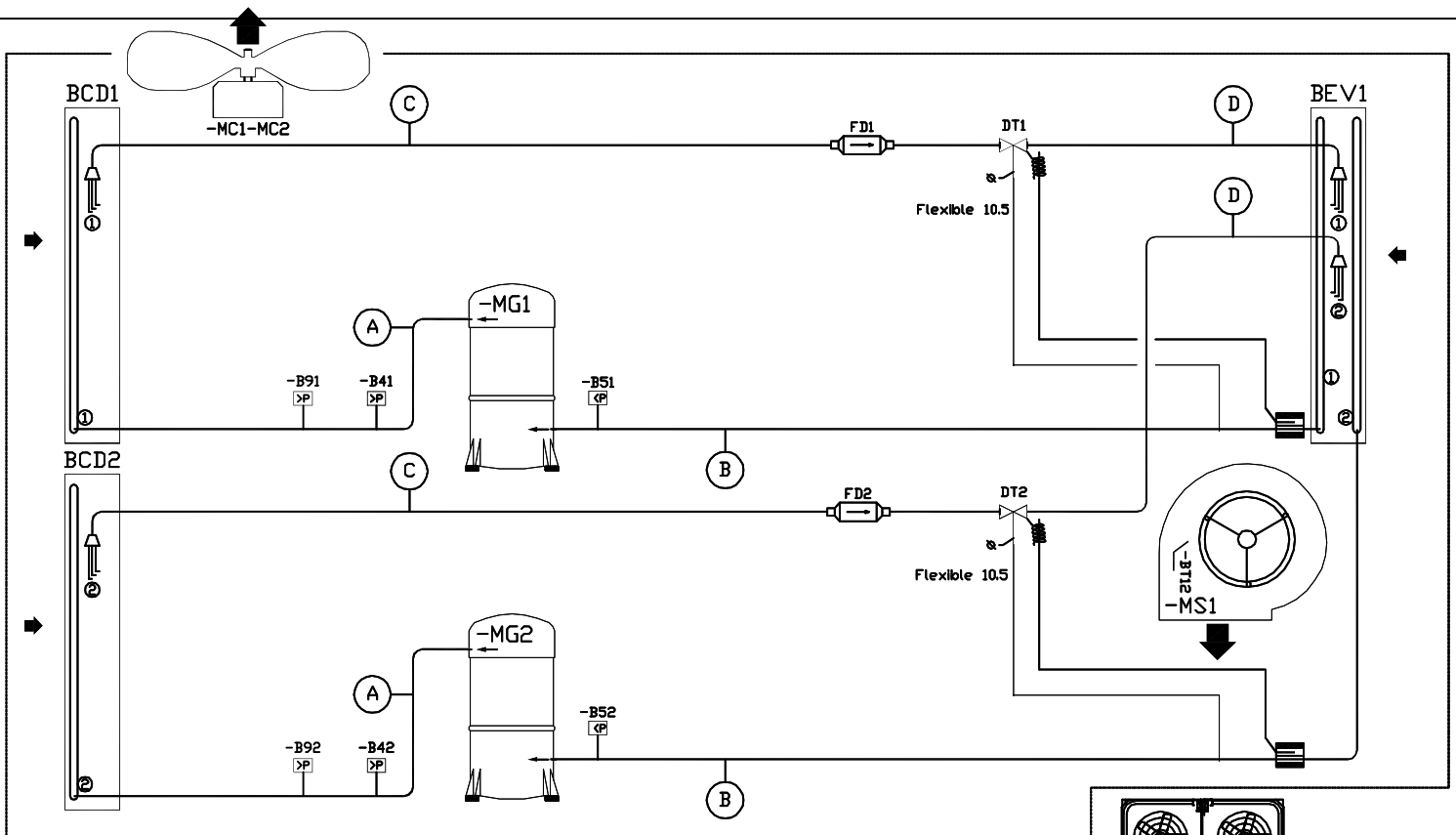
Indice	DATE	NOM	MODIFICATIONS

(1) BCK 060 HD
Kit chauffage
GAS

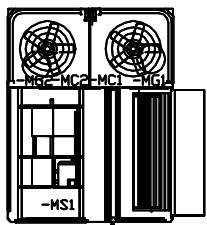
Dessine: T/Y
Date: 14.08.07



256376 6/11



BOX	30/35	40	-MG1	45	-MG2	50	60	70
D	5/8"	5/8"	5/8"	7/8"	7/8"	7/8"	7/8"	7/8"
C	1/2"	1/2"	1/2"	5/8"	5/8"	5/8"	5/8"	5/8"
B	7/8"	1 1/8"	1 1/8"	1 1/8"	1 1/8"	1 3/8"	1 3/8"	1 3/8"
A	5/8"	7/8"	7/8"	7/8"	7/8"	7/8"	7/8"	7/8"



Indice	DATE	NOM	MODIFICATIONS

(1) BCK 060 HD
 Schéma Frigorifique \ Hydraulique
 Cooling \ Hydraulic Diagram

Dessine: T/Y
 Date: 14.08.07



256376 9/11

