
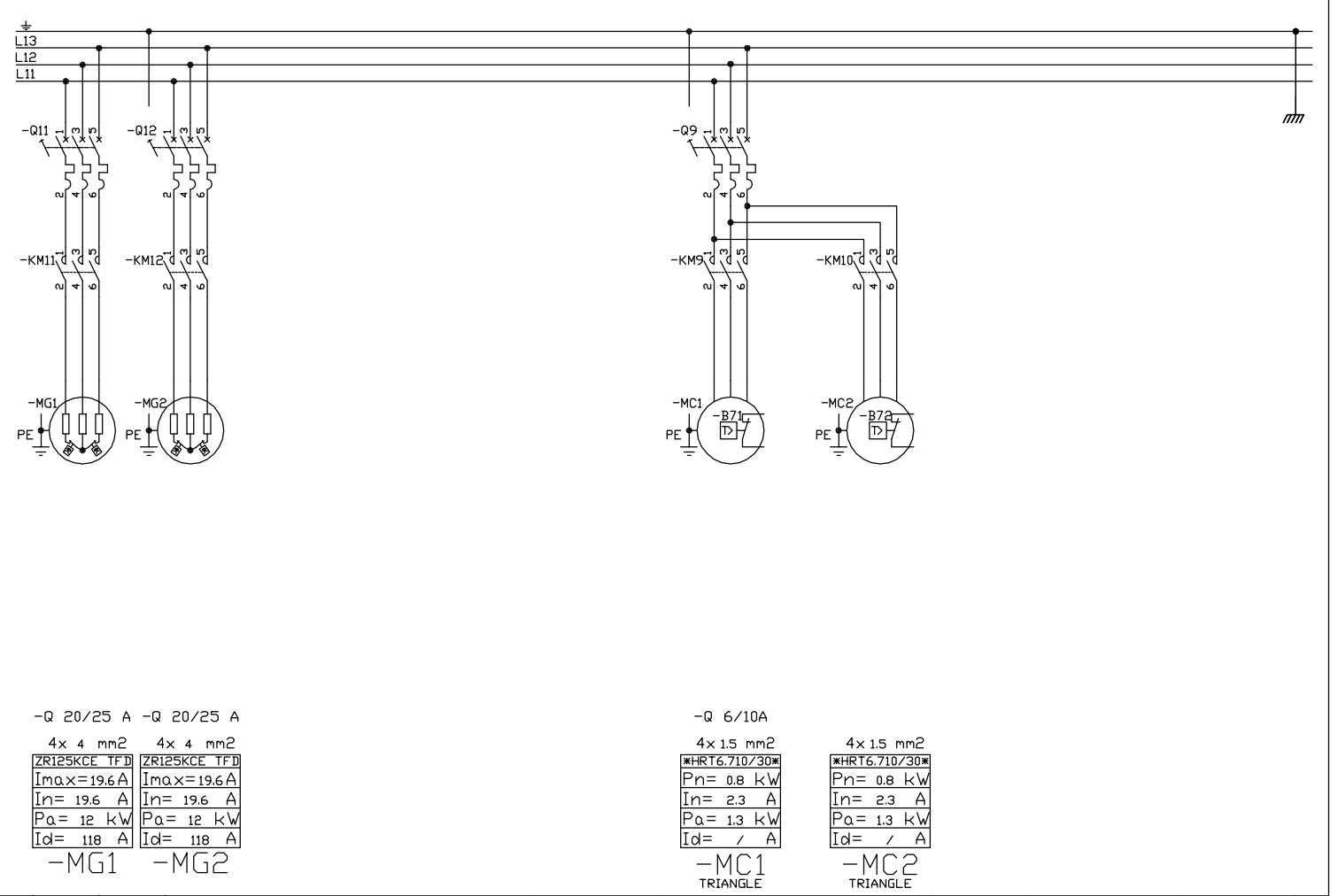
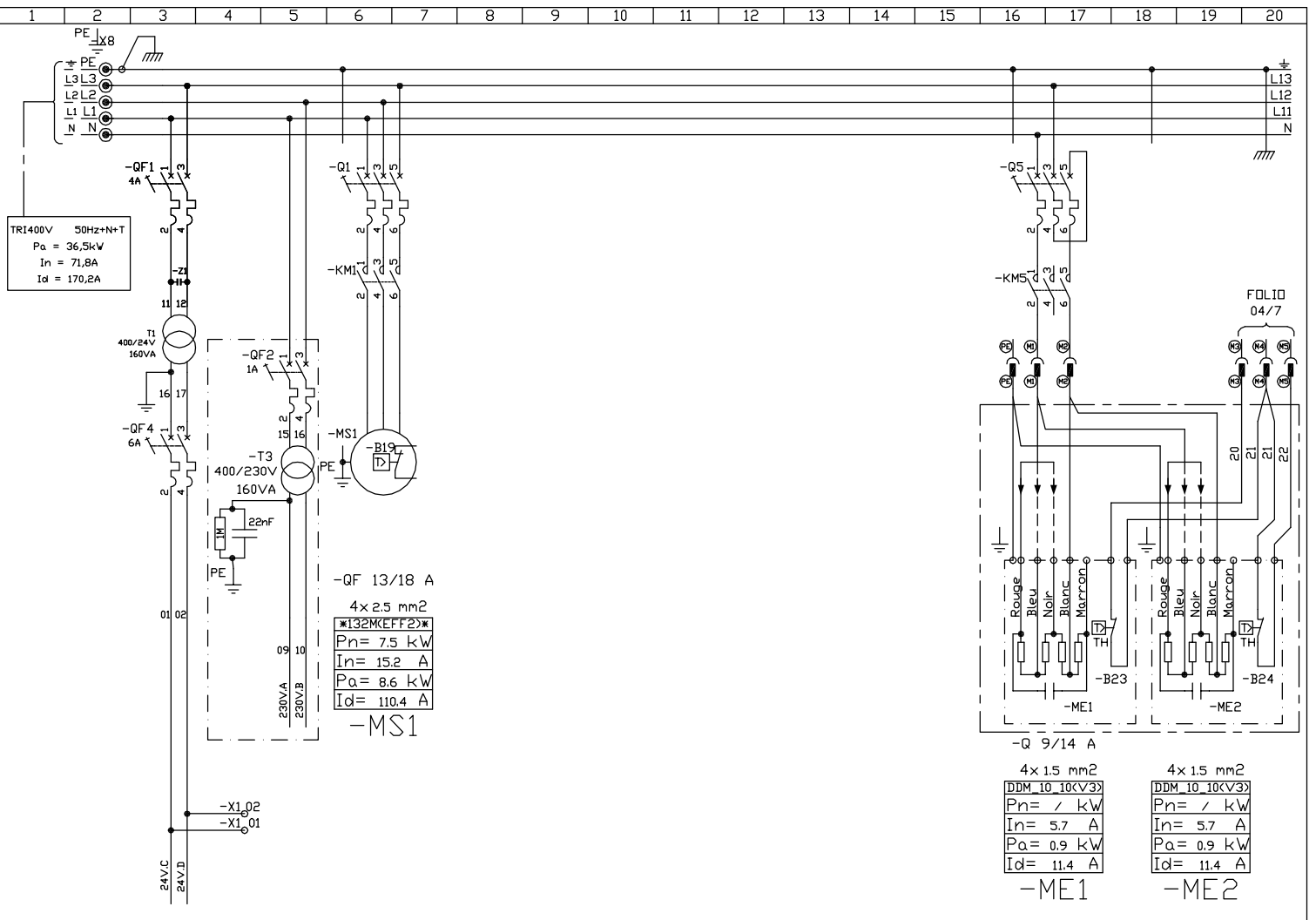
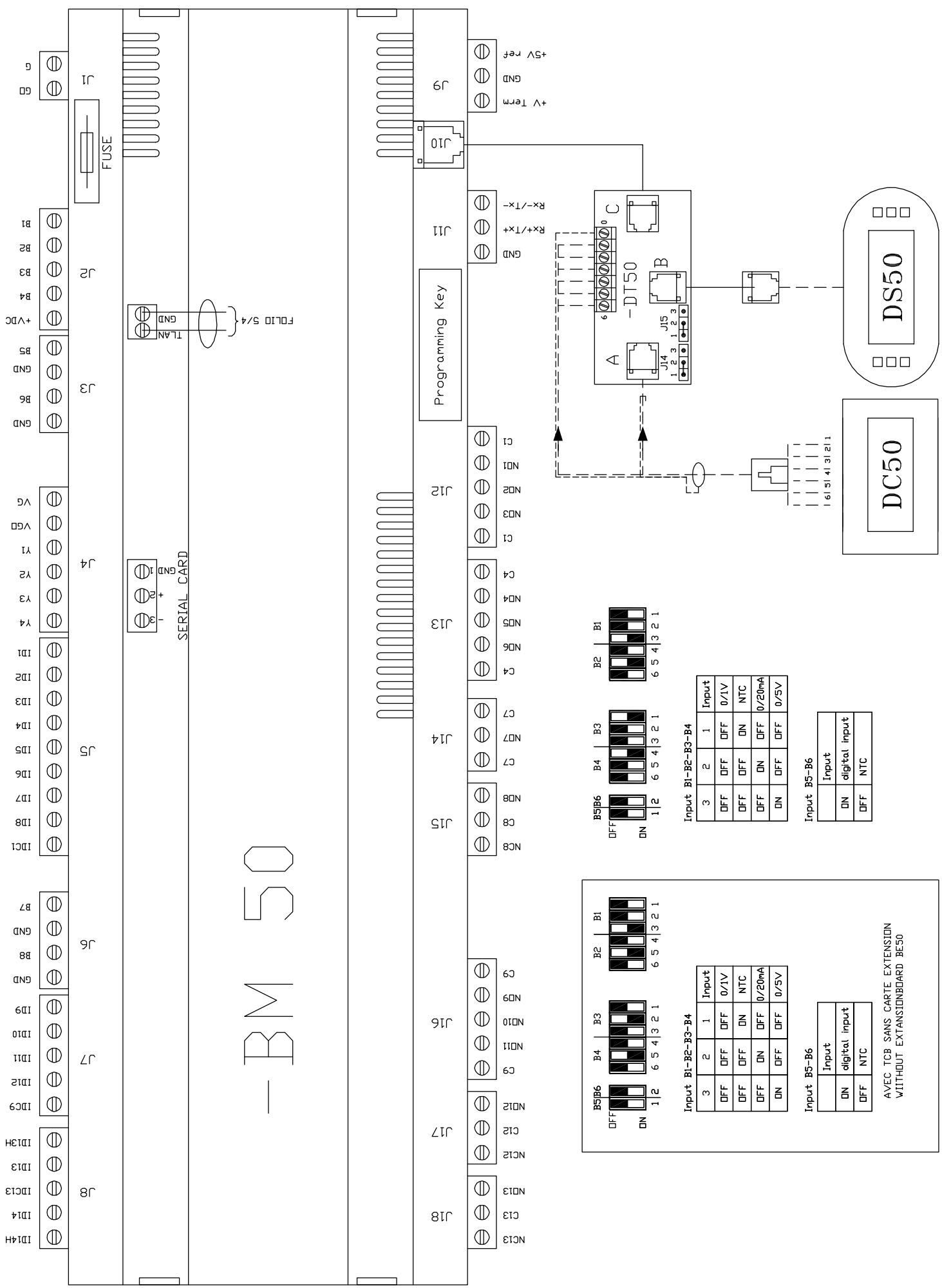
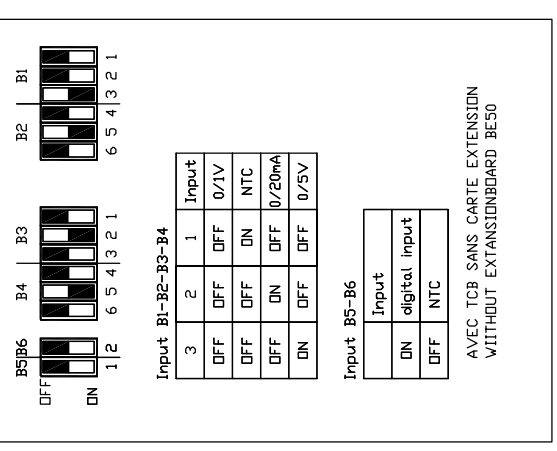
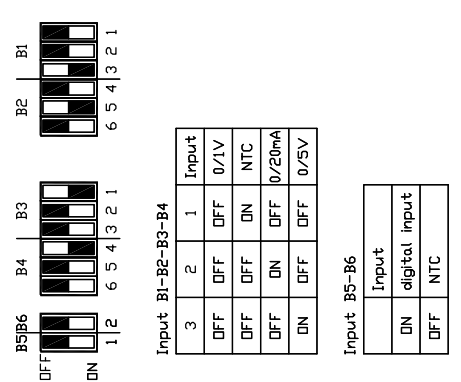


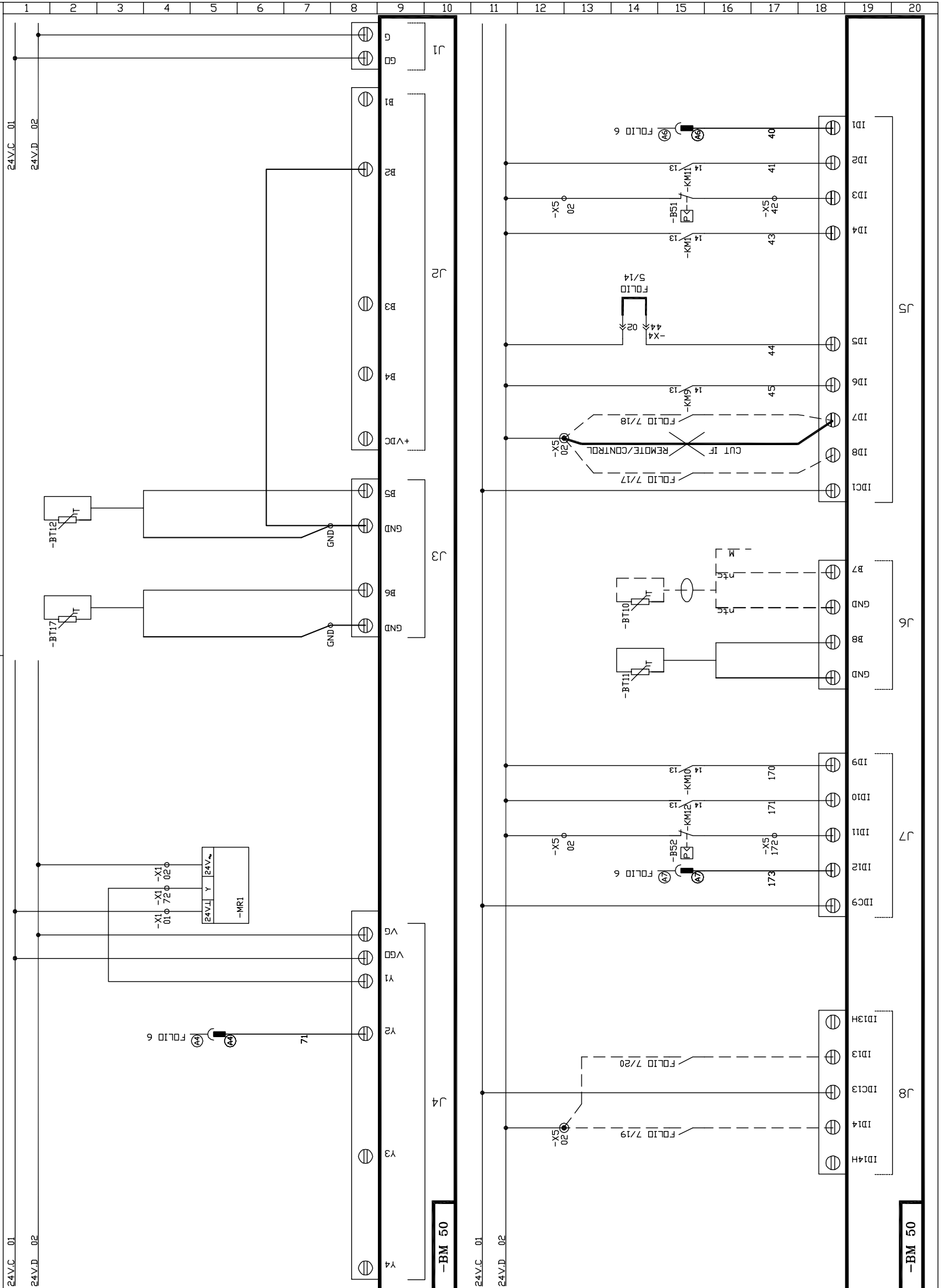
Indice	DATE	NOM	MODIFICATIONS		
					
<i>Wilkinsons Oswestry</i>					
(1) BGK 060 HD LENNOX UK		Dessine: CTO Date: 28.06.06	PAGE DE GARDE <table border="1" style="float: right;"> <tr> <td>248776</td> <td>0 / 11</td> </tr> </table>	248776	0 / 11
248776	0 / 11				





- BM 50





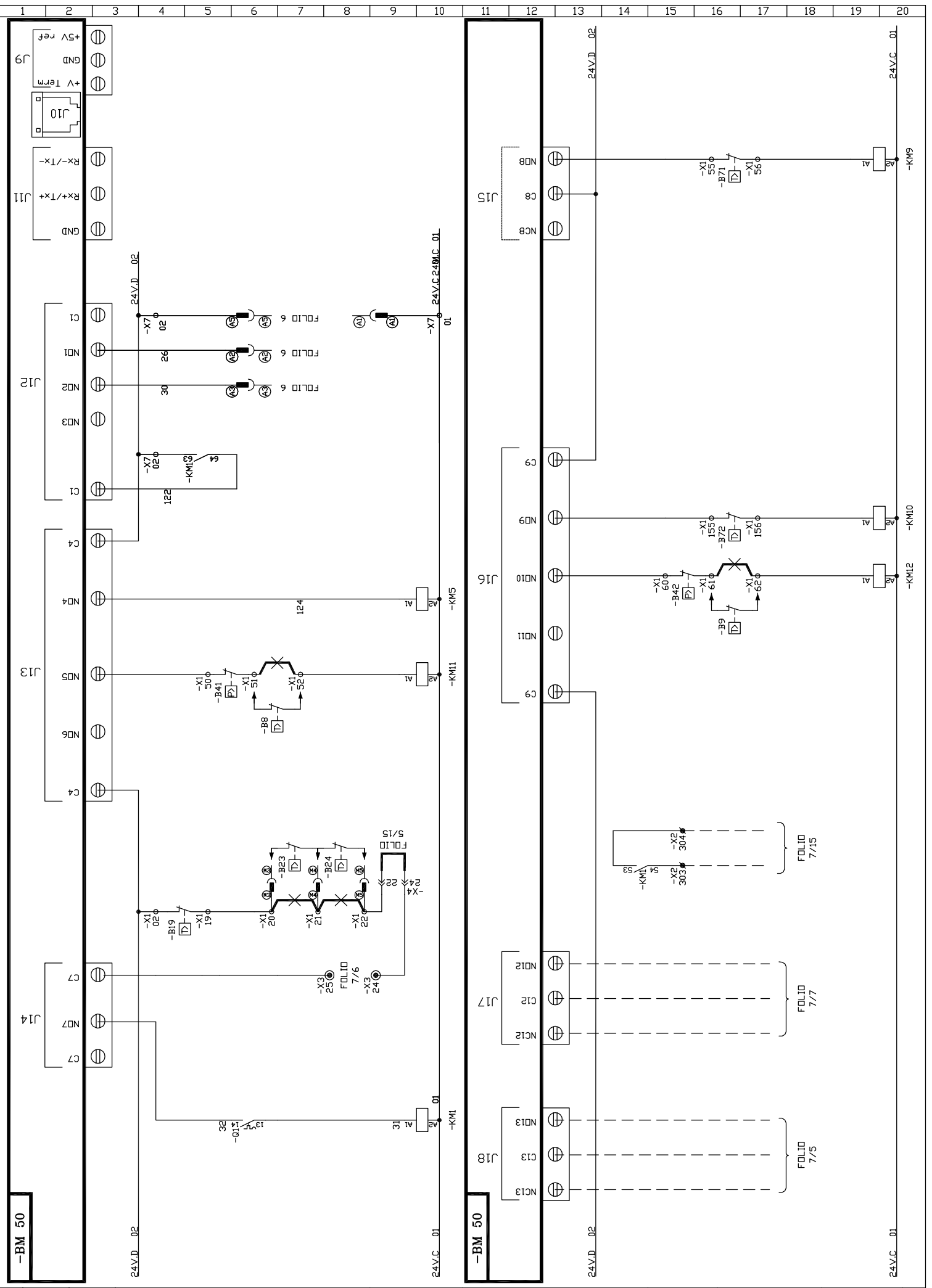
Indice	DATE	NOM	MODIFICATIONS

(1) BCK 060 HD
Entrées Automate CLIMATIC 50
Climatic 50 Controller Input

Dessine: CTO
Date: 28.06.06



248776 3/11



-BM 50

-BM 50

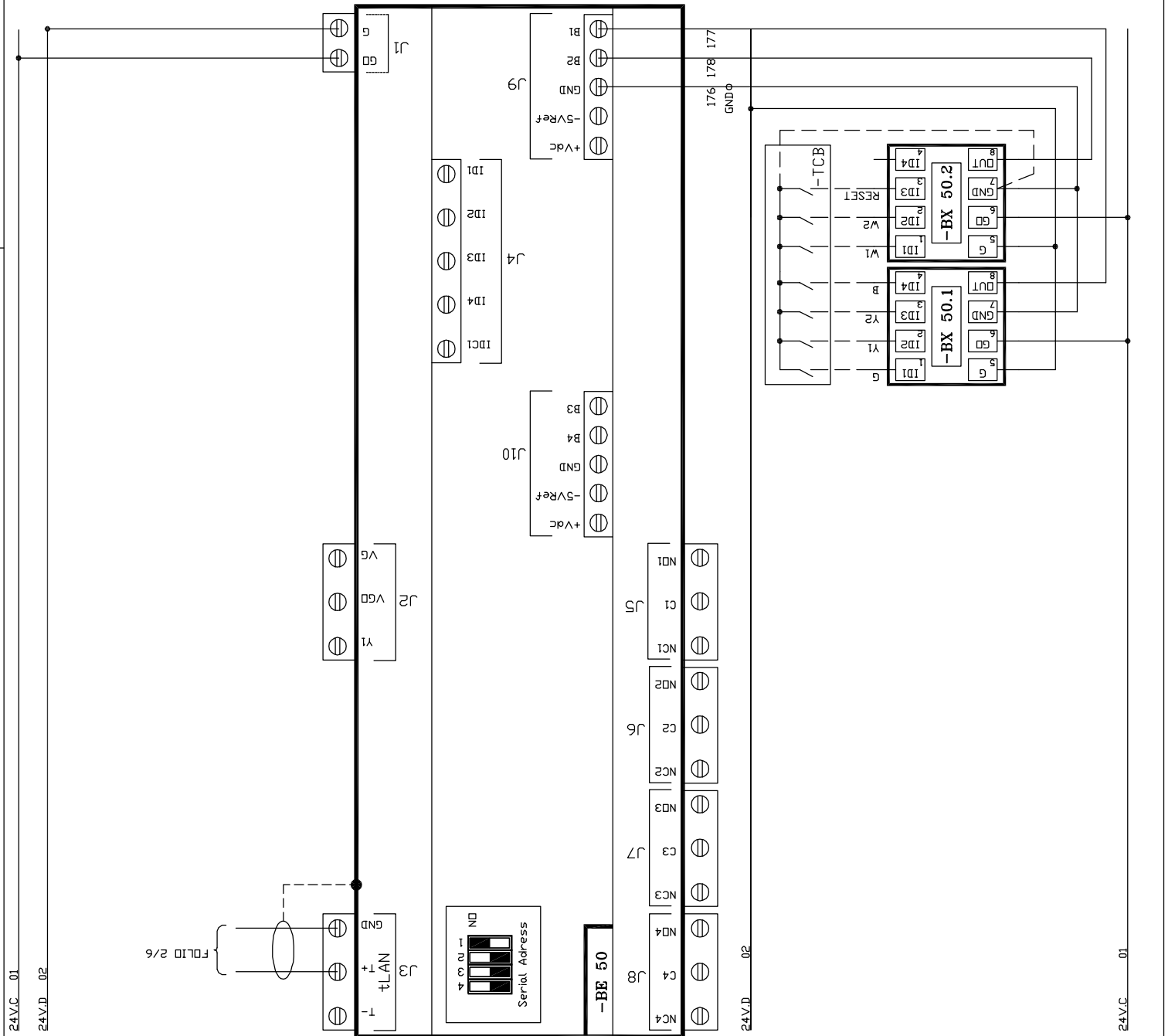
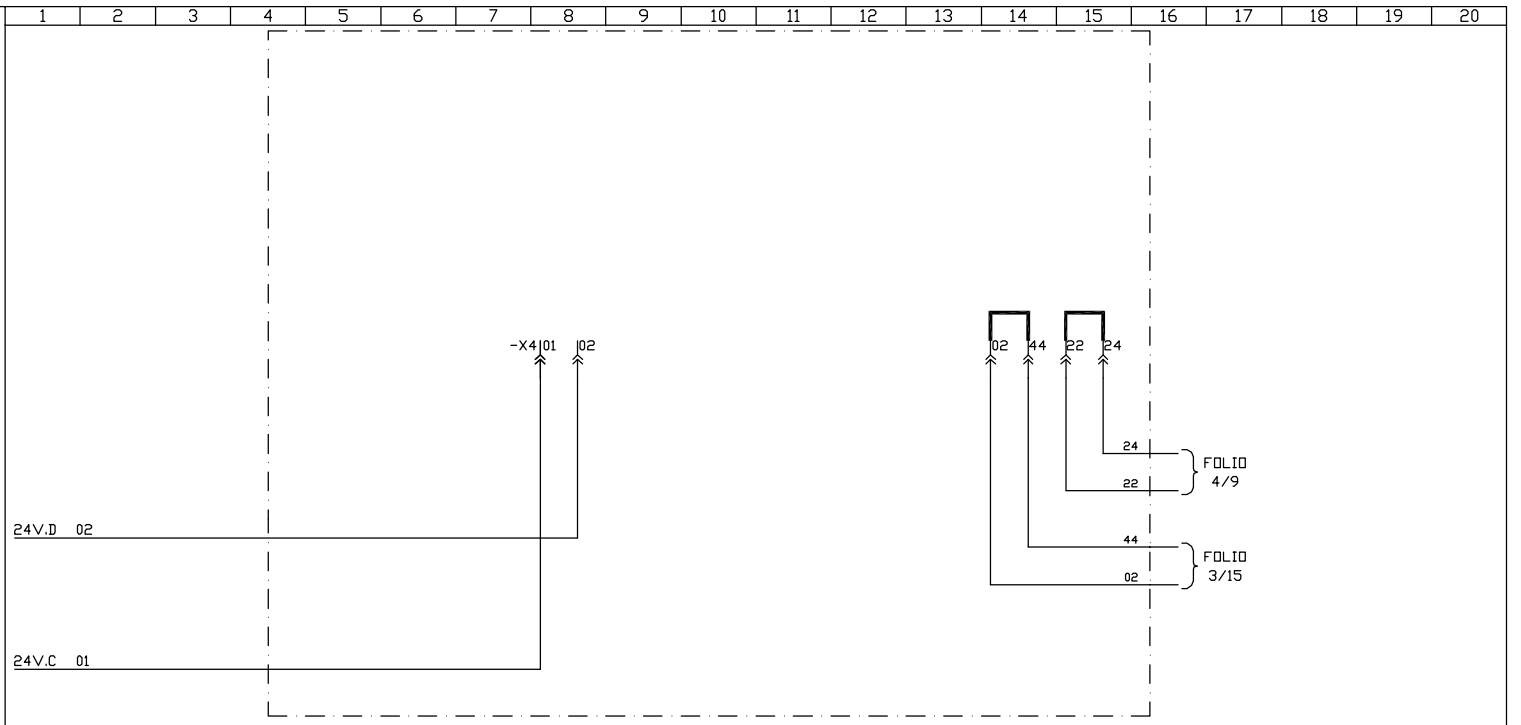
Indice	DATE	NOM	MODIFICATIONS

(1) BCK 060 HD
Sorties Automate CLIMATIC 50
Climatic 50 Controller Outputs

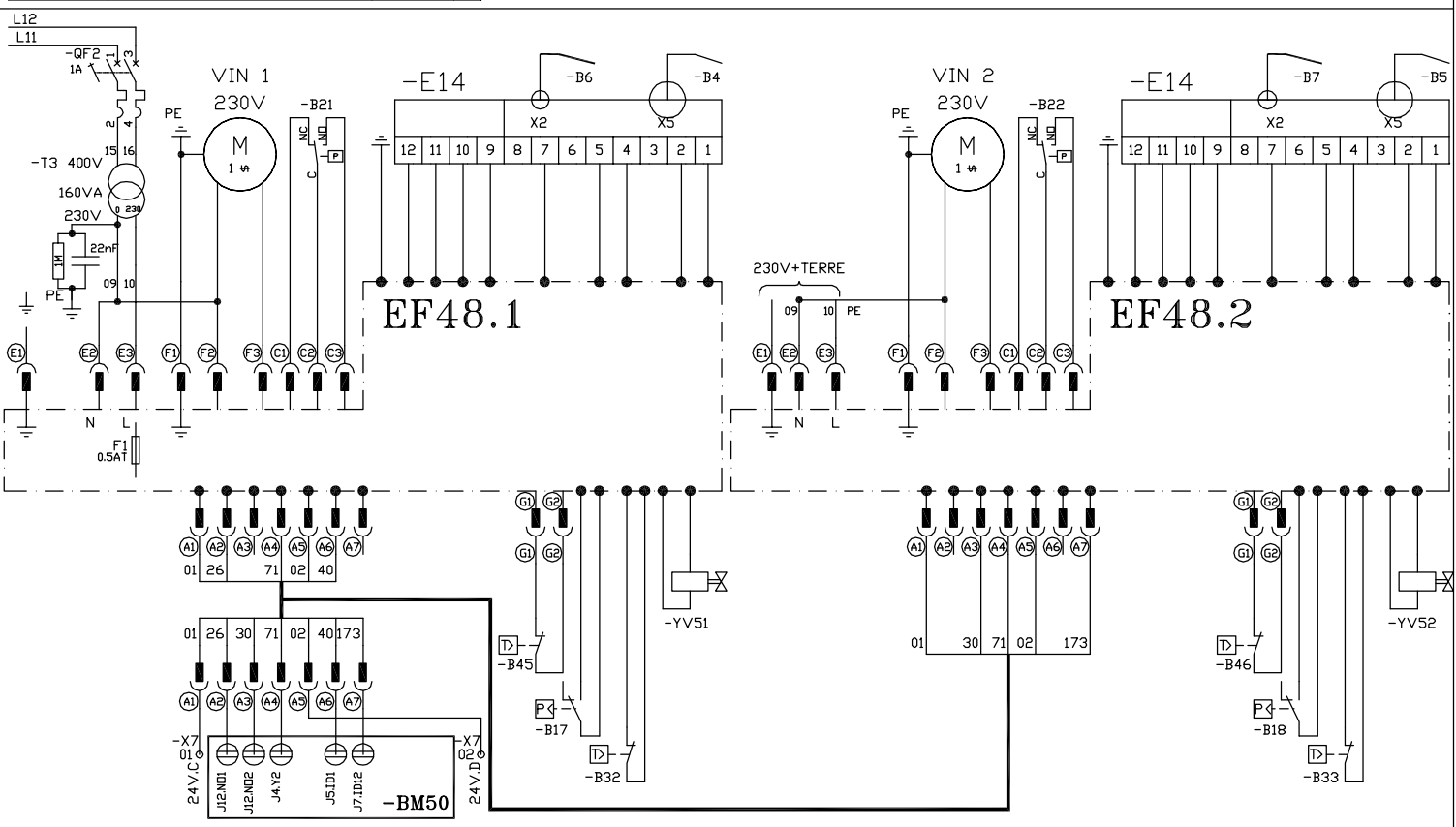
Dessine: CTO
Date: 28.06.06

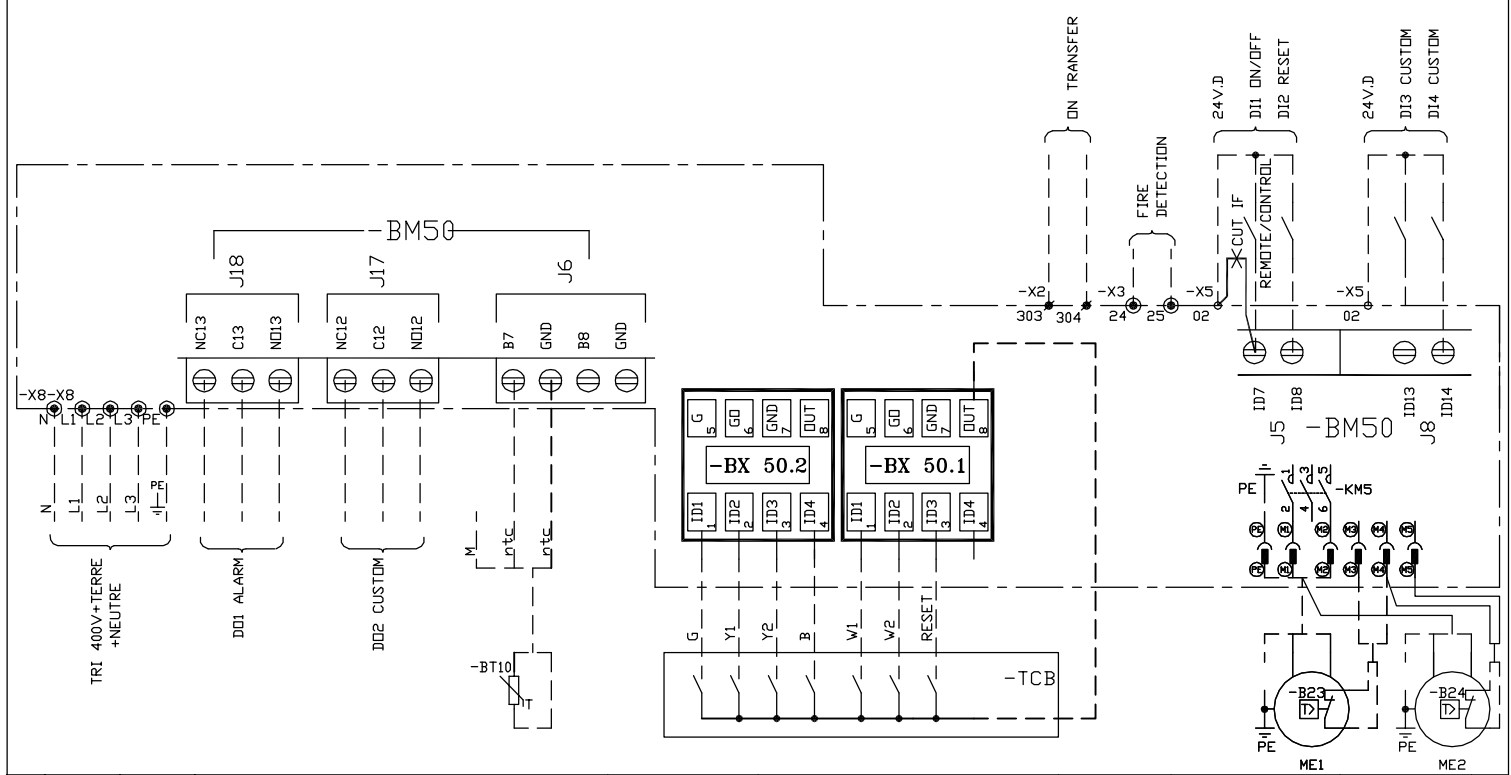
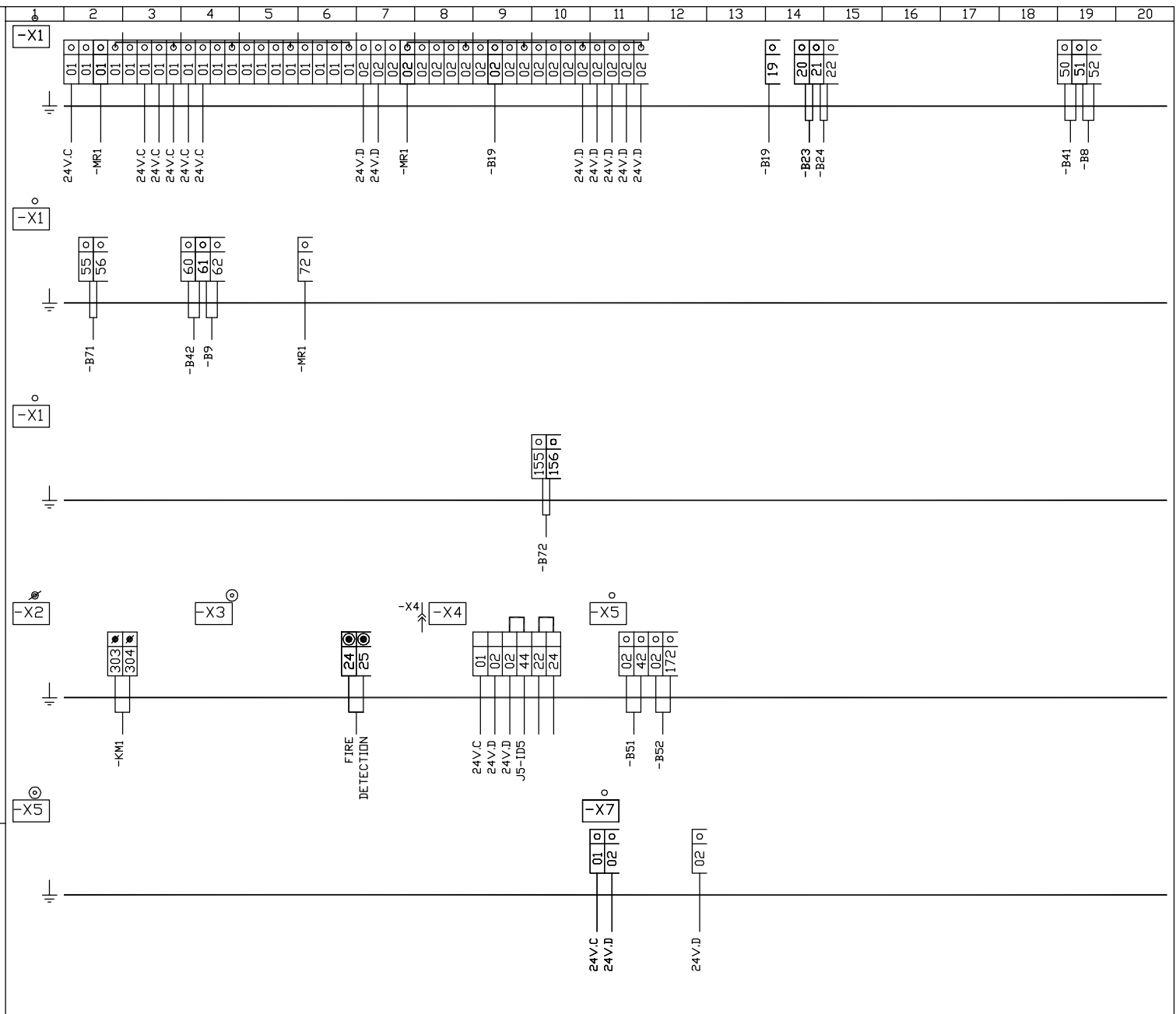


248776 4/11



REPERE	REFERENCE	CODE	Nb
-QF2	C60N 1A BIPOL COURBE D	4480589E	1
-T3	160VA 400V/230V	4430125R	1
-RC	CIRCUIT RC 1MEG0HM - 22nF	4770012Z	1
-EF48.1,2	-EF48	4770624Z	2





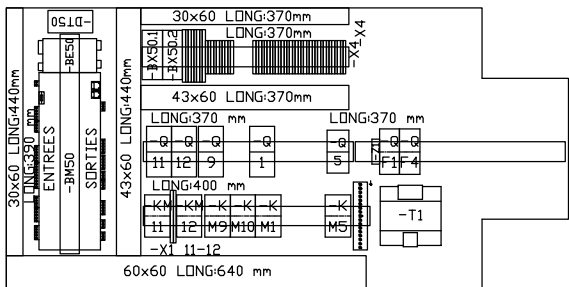
Indice	DATE	NOM	MODIFICATIONS

(1) BCK 060 HD
 Borniers \ Raccordement Client
 Terminal Strip \ Customer

Dessine: CTO
 Date: 28.06.06



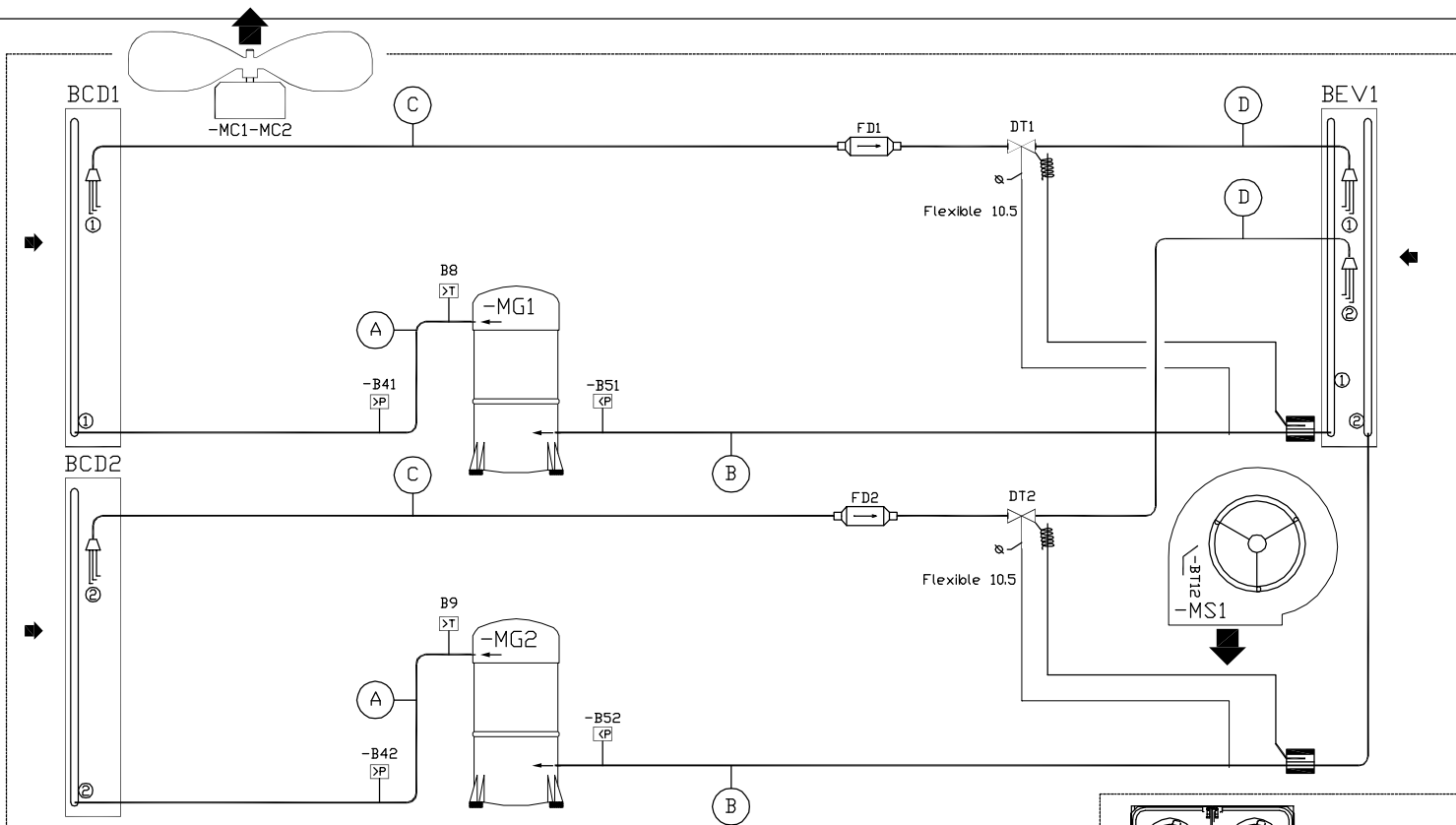
248776 7/11
 USINE DE LONGVIC



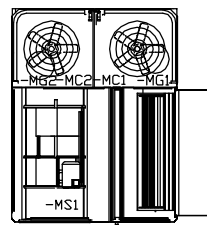
REPERE	REFERENCE	CODE	Nb
BARRETTE	TYPE MG 14979	5470186T	1
-QF1	C60N 24583 4A BIPOL COURBE D	4480591H	1
-QF4	C60N 24584 6A BIPOL COURBE D	4480592J	1
-T1	160VA PRIMAIRE 400V /24V	4430121L	1
-Z1	LRC V2-0.22-220/400V	4770010X	1
-Q5	GV2 M16 9/14A	4410849V	1
-KM5	LC1 D09 B7	4410650A	1

REPERE	REFERENCE	CODE	Nb
-Q1	GV2 M20 13/18 A	4410850W	1
-Q1	GV2 AE 113	4410890H	1
-KM1	LC1 D12 B7	4410651E	1
-KM1	LA1 DN403	5410092V	1

REPERE	REFERENCE	CODE	Nb
-BM50	CLIMATIC 50 2Mega	4770607Z	1
-BE50	Extension CLIMATIC 50	4770615M	1
-BX50	MULTIPLEXEUR TCB	4770616N	2
-DT50	-DT50	4770623Y	1
BORNIER	D2.5/5.SNBT.2L DRANGE	5470163K	2
	PLAQUE DE FERMETURE FED5.2L	5470512X	1
	D2.5/5.2L GRISE	5470200N	**
	PLAQUE DE FERMETURE FED5.2L	5470235P	1
	D2.5/5.4L GRISE 24V.C.D	5470270R	16
BORNIER-X8	BOBINE DE FERMETURE FED5.4L	5470229W	1
	BOBINE 4 POLES BJDLS.4	5470275Y	2
	M35/16	5470204V	3
	PLAQUE DE FERMETURE	5470237T	1
BUTEE	103 002 26	5470240X	2
-Q11-Q12	GV2 M223 20/25 A	4410882Y	2
-KM11-KM12	LC1 D18 B7	4410652F	2
-Q9	GV2 M14 6/10A	4410848T	1
-KM9	LC1 D09 B7	4410650A	1
-KM10	LC1 D09 B7	4410650A	1



BOX	30/35	40	-MG1	45	-MG2	50	60	70
D	5/8"	5/8"	5/8"	7/8"	7/8"	7/8"	7/8"	7/8"
C	1/2"	1/2"	1/2"	5/8"	5/8"	5/8"	5/8"	5/8"
B	7/8"	1 1/8"	1 1/8"	1 1/8"	1 1/8"	1 3/8"	1 3/8"	1 3/8"
A	5/8"	7/8"	7/8"	7/8"	7/8"	7/8"	7/8"	7/8"



Indice	DATE	NOM	MODIFICATIONS

(1) BCK 060 HD
 Schéma Frigorifique \ Hydraulique
 Cooling \ Hydraulic Diagram

Dessine: CTO
 Date: 28.06.06



248776 9/11

