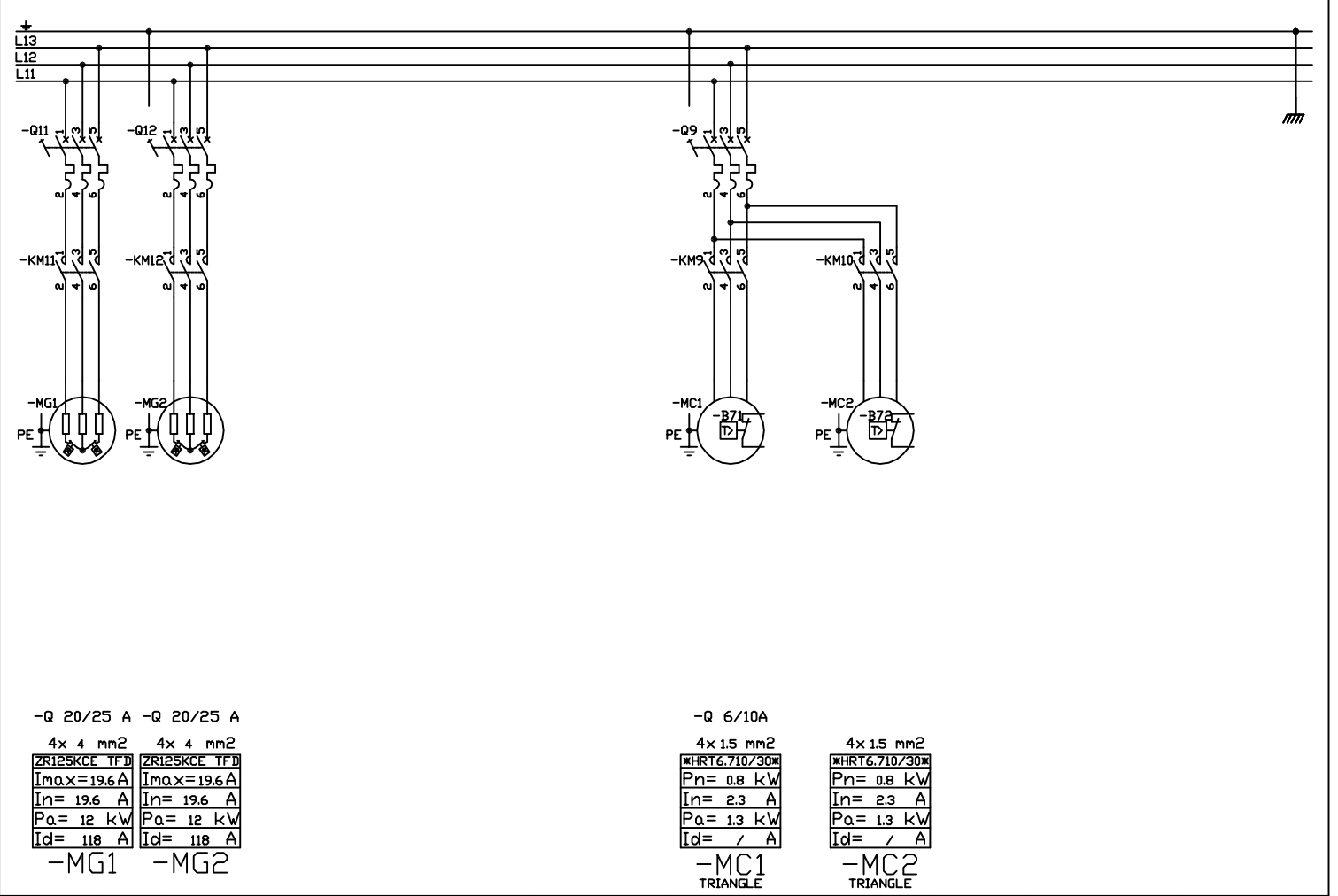
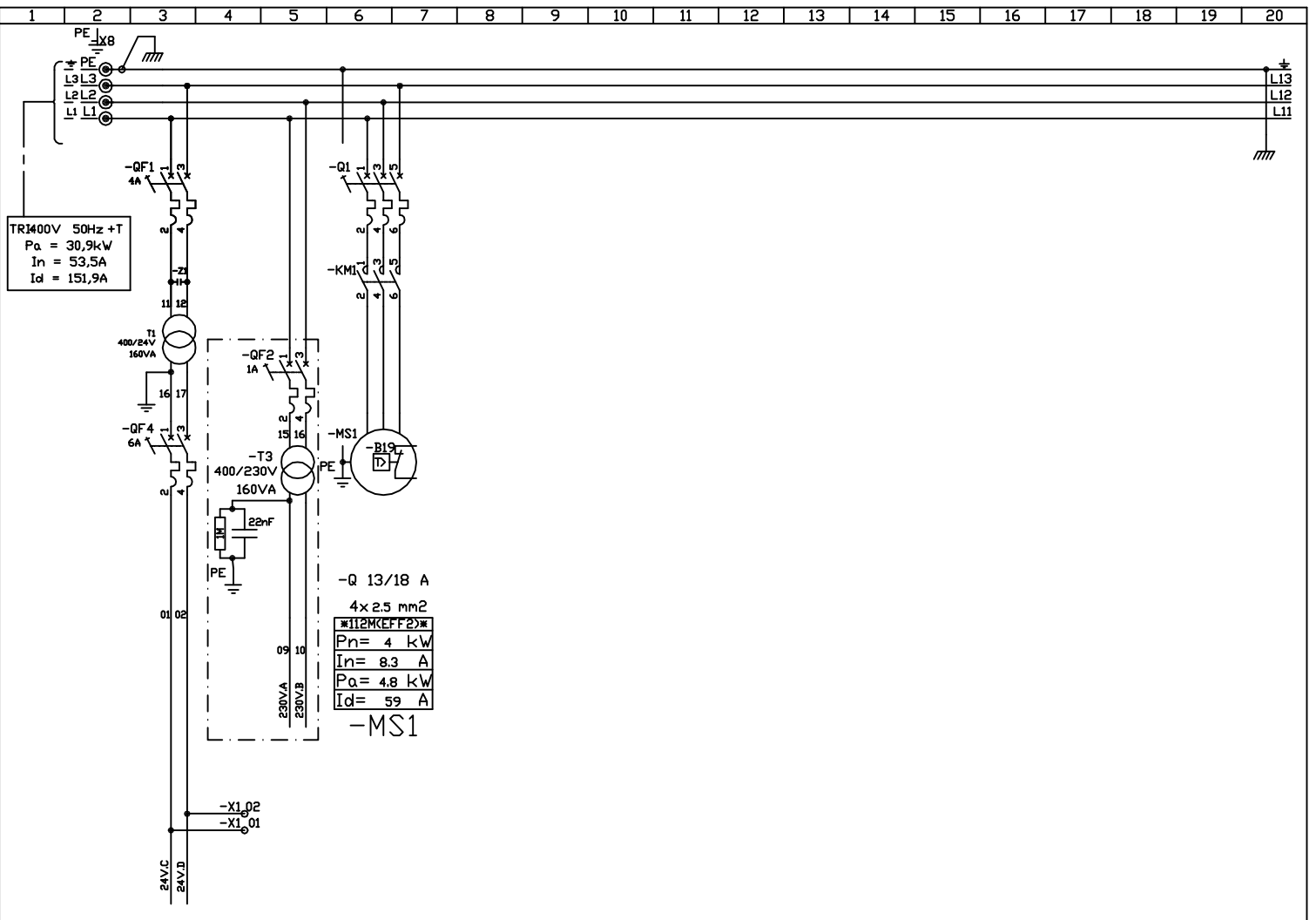
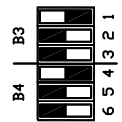
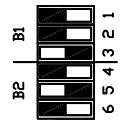
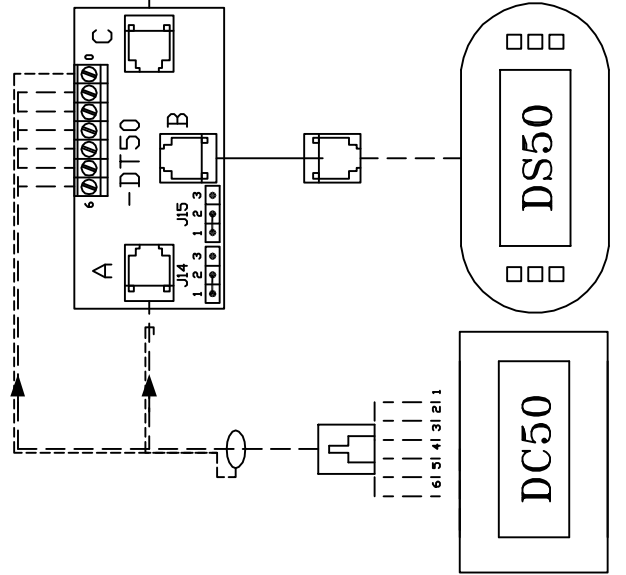
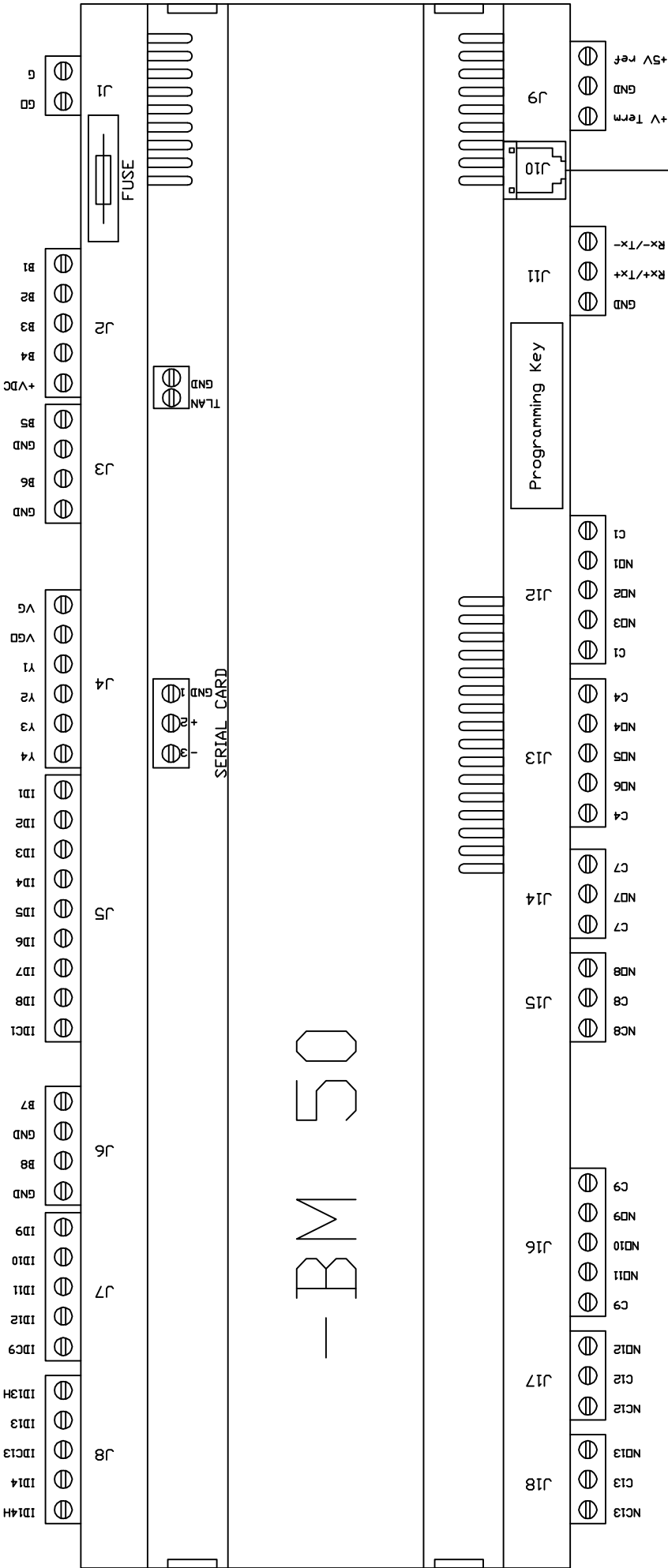


Indice	DATE	NOM	MODIFICATIONS
<i>LENNOX</i> [®]			
POINTIN STILL / 191			
(1) BGK 060 HD LENNOX UK		Dessine: CTO Date: 20.10.04	PAGE DE GARDE 238935 0/11

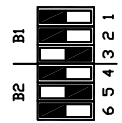
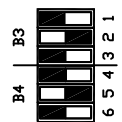


- BM 50



Input	1	2	3
0/1V	OFF	OFF	OFF
NTC	ON	OFF	OFF
0/20mA	OFF	ON	OFF
0/5V	OFF	OFF	ON

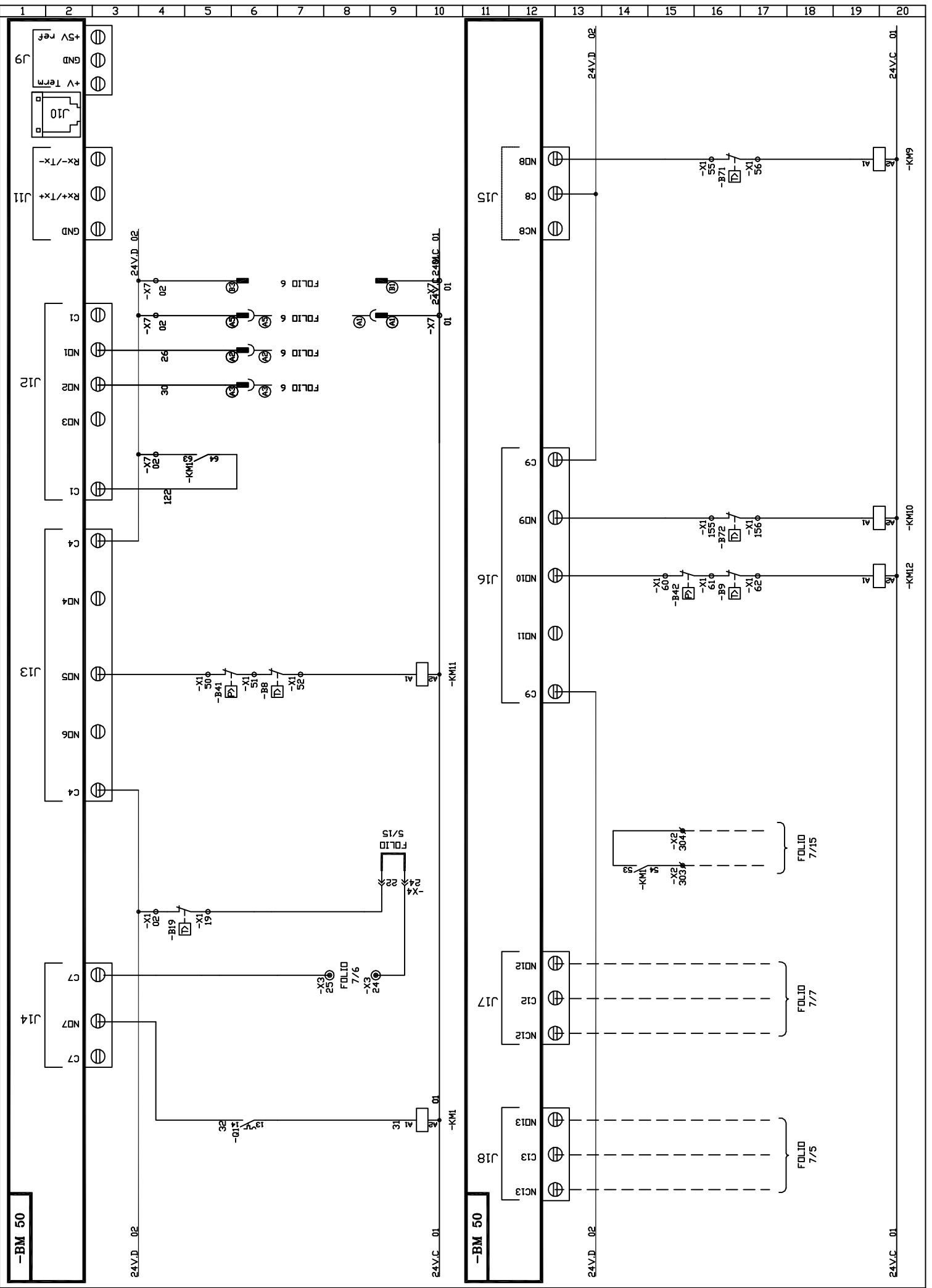
Input	digital input	NTC
ON	OFF	OFF

Input	1	2	3
0/1V	OFF	OFF	OFF
NTC	ON	OFF	OFF
0/20mA	OFF	ON	OFF
0/5V	OFF	OFF	ON

Input	digital input	NTC
ON	OFF	OFF

AVEC TCB SANS CARTE EXTENSION
WITHOUT EXTENSIONBOARD BE50



-BM 50

-BM 50

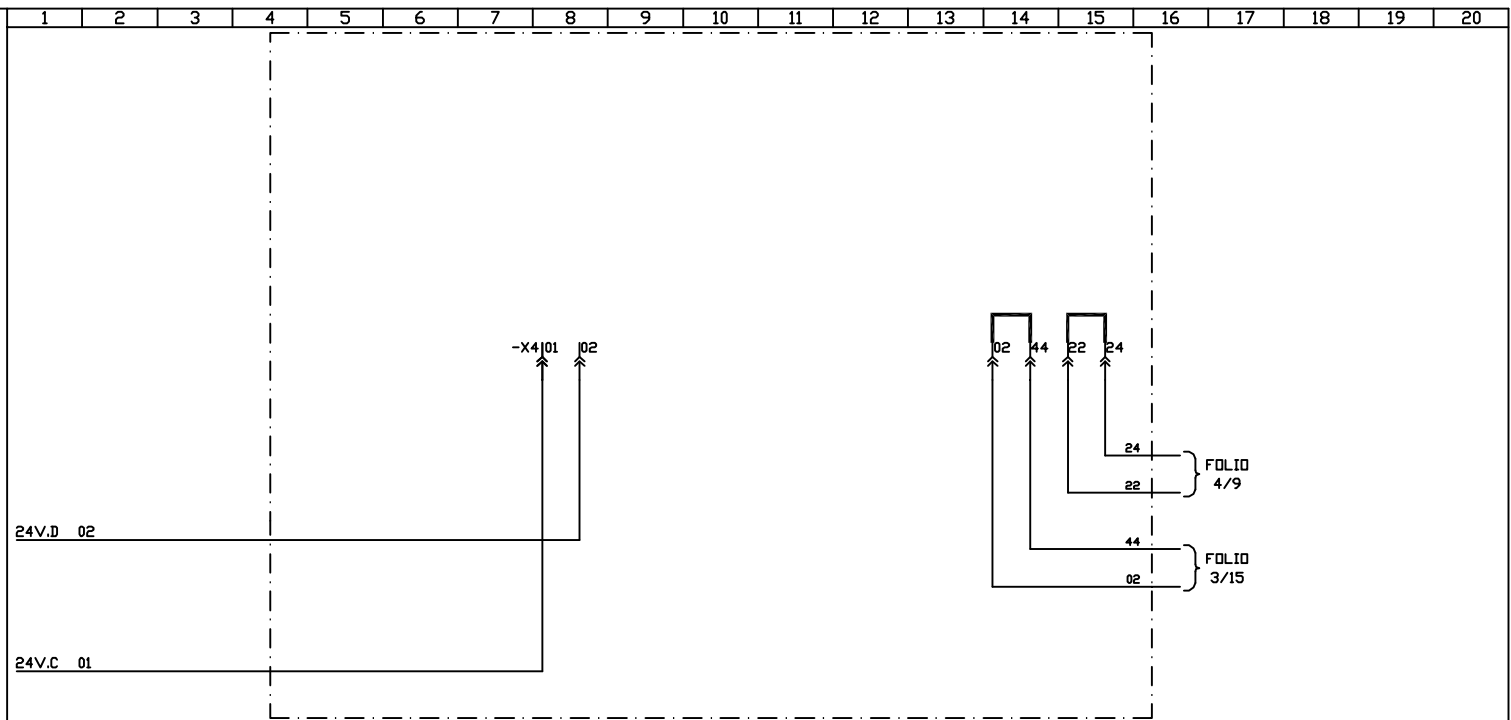
(1) BCK 060 HD
Sorties Automate CLIMATIC 50
Climatic 50 Controller Outputs

Dessine: CTO
Date: 20.10.04

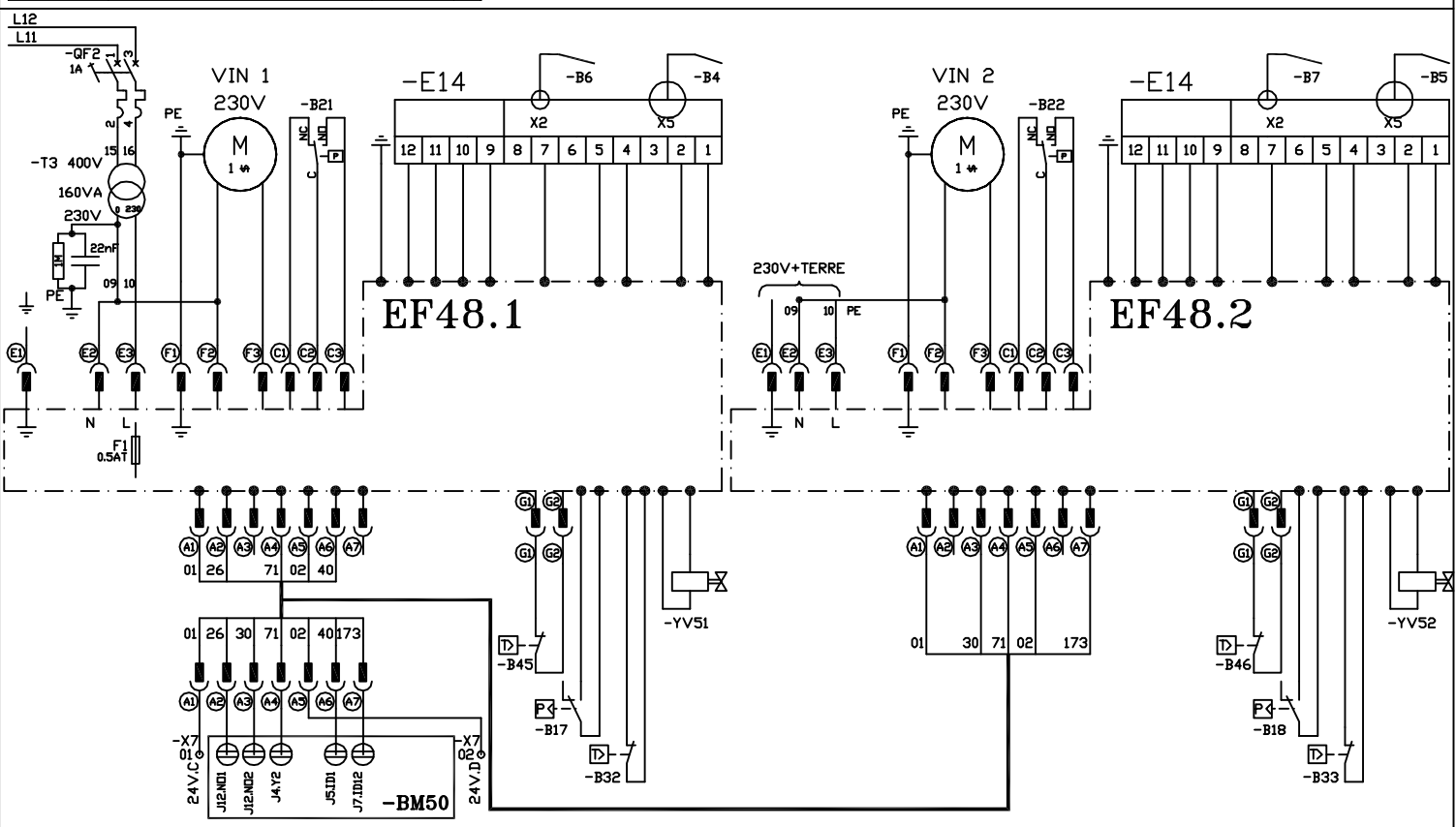
LENNOX
USINE DE LONGVIC

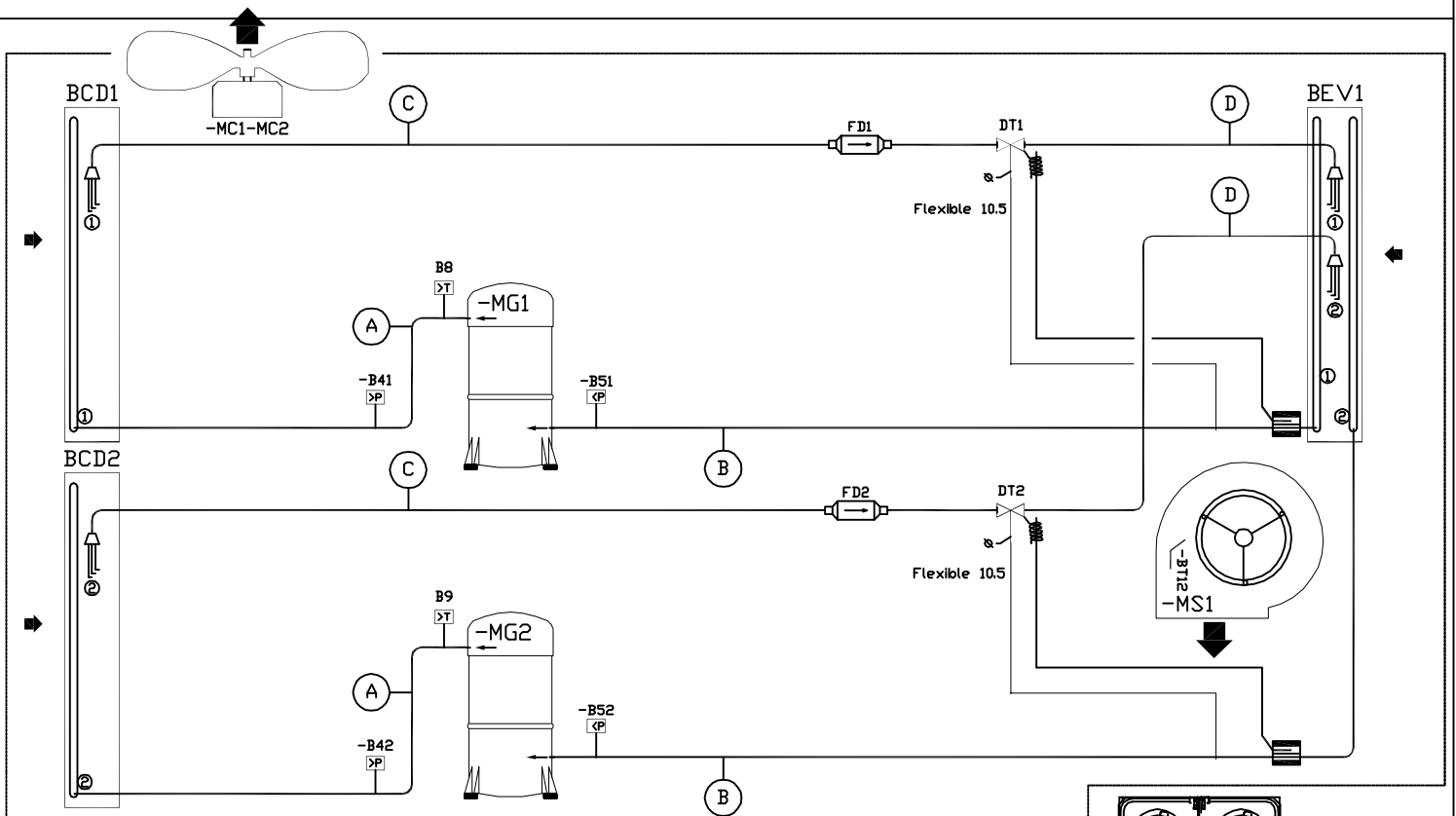
238935 4/11

Indice	DATE	NOM	MODIFICATIONS

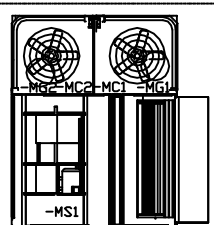


1	2	3	4	5	6	7	8	9	10	11	12	13	14	15	16	17	18	19	20	
REPERE	REFERENCE		CODE	Nb																
-GF2	C60N 1A BIPOL COURBE D		4480589E	1																
-T3	160VA 400V/230V		4430125R	1																
-RC	CIRCUIT RC 1MEG0HM - 22nF		4770012Z	1																
-EF48.1,2	-EF48		4770624Z	2																





BOX	30/35	40	-MG1	45	-MG2	50	60	70
D	5/8"	5/8"	5/8"	7/8"	7/8"	7/8"	7/8"	7/8"
C	1/2"	1/2"	1/2"	5/8"	5/8"	5/8"	5/8"	5/8"
B	7/8"	1 1/8"	1 1/8"	1 1/8"	1 1/8"	1 3/8"	1 3/8"	1 3/8"
A	5/8"	7/8"	7/8"	7/8"	7/8"	7/8"	7/8"	7/8"



Indice	DATE	NOM	MODIFICATIONS

(1) BCK 060 HD
 Schéma Frigorifique \ Hydraulique
 Cooling \ Hydraulic Diagram

Dessine: CTO
 Date: 20.10.04

LENNOX
 USINE DE LONGVIC

238935 9/11

