
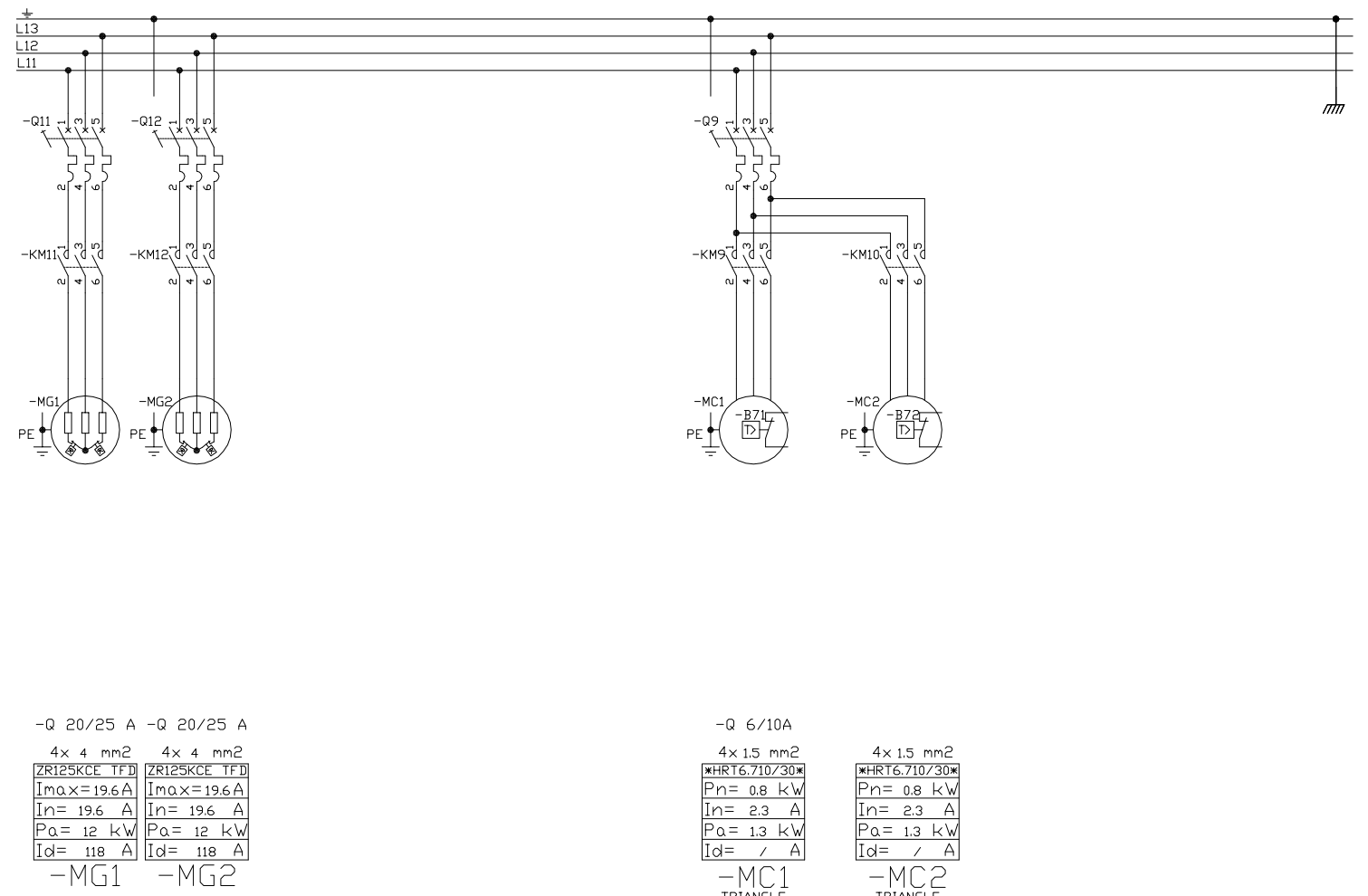
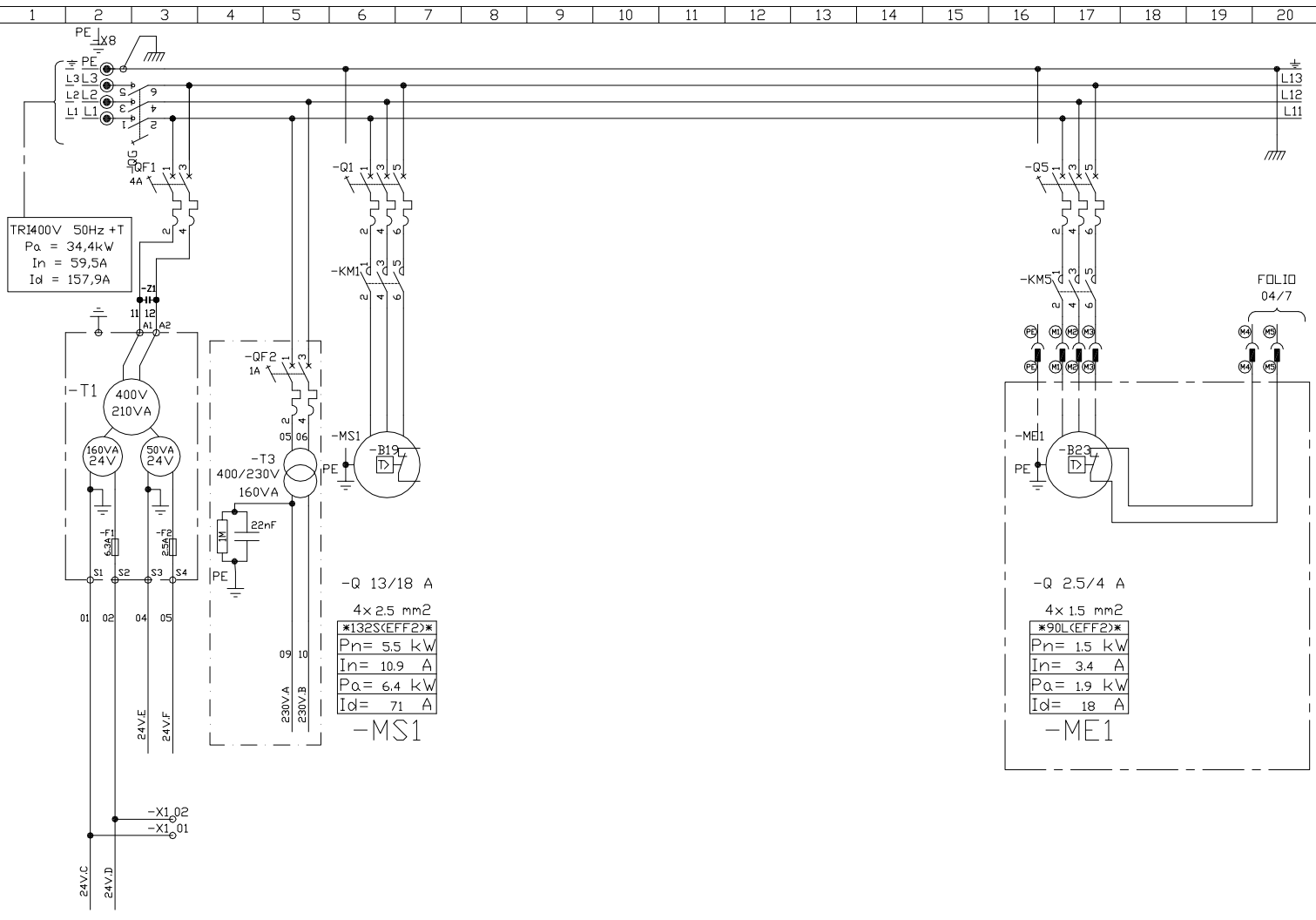
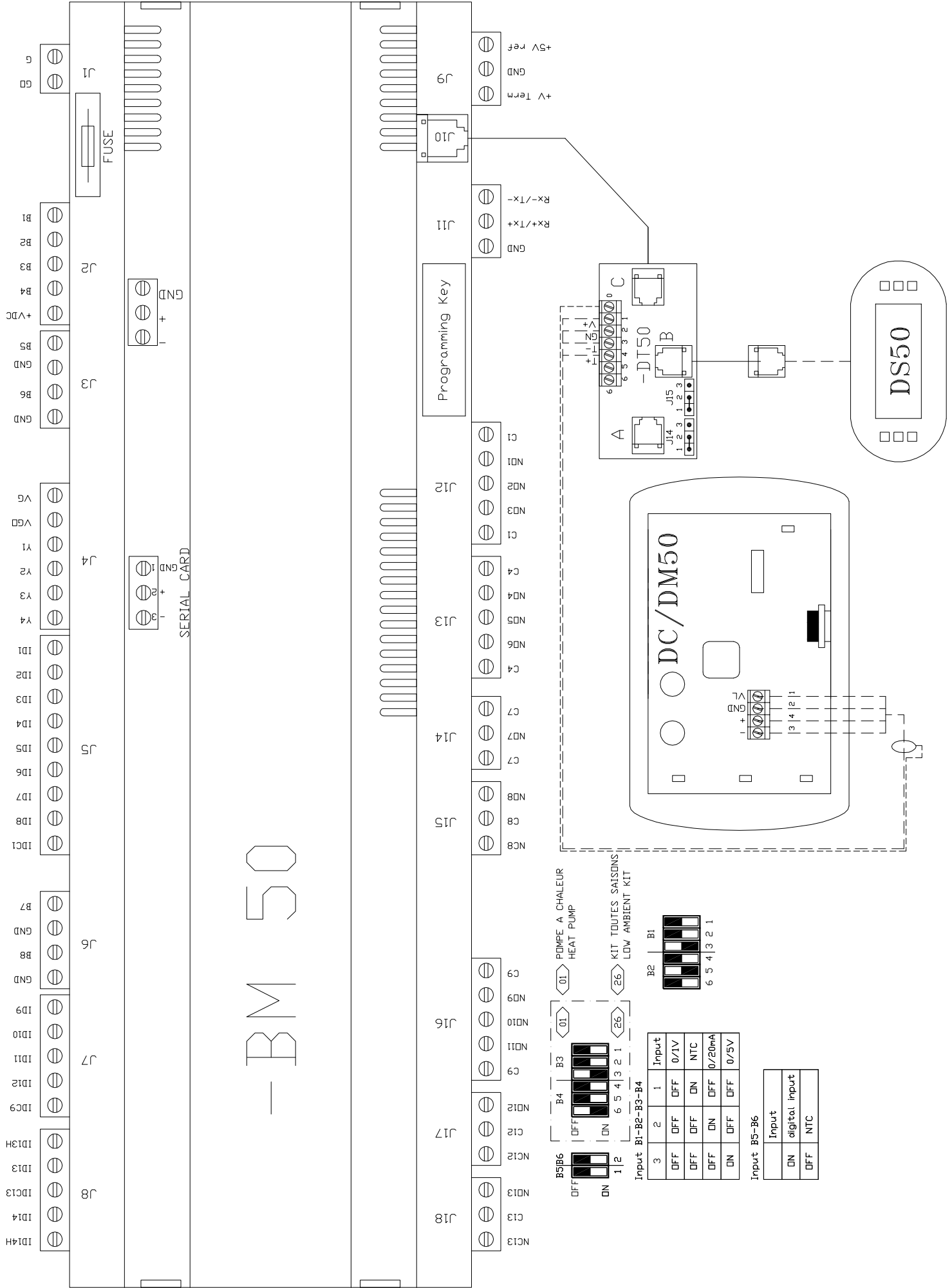


Indice	DATE	NOM	MODIFICATIONS
			
<i>Superquinn Ireland</i>			
(2) BGK 060 HD <b>LENNOX UK</b>	Dessine: CTO Date: 29.11.07	PAGE DE GARDE	138284 0/11





# - BM 50

01 POMPE A CHALEUR  
HEAT PUMP

26 KIT TOUTES SAISONS  
LOW AMBIENT KIT

B2 | B1

6	5	4	3	2	1
<input type="checkbox"/>	<input type="checkbox"/>	<input type="checkbox"/>	<input type="checkbox"/>	<input type="checkbox"/>	<input type="checkbox"/>

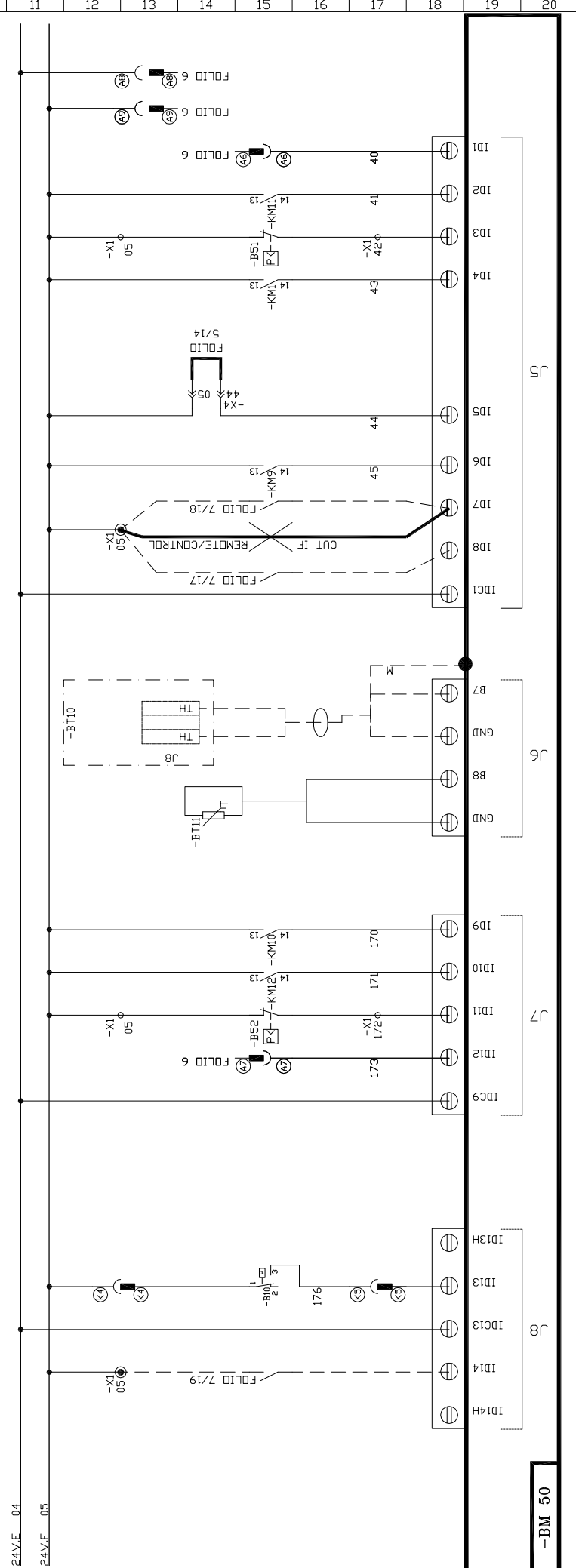
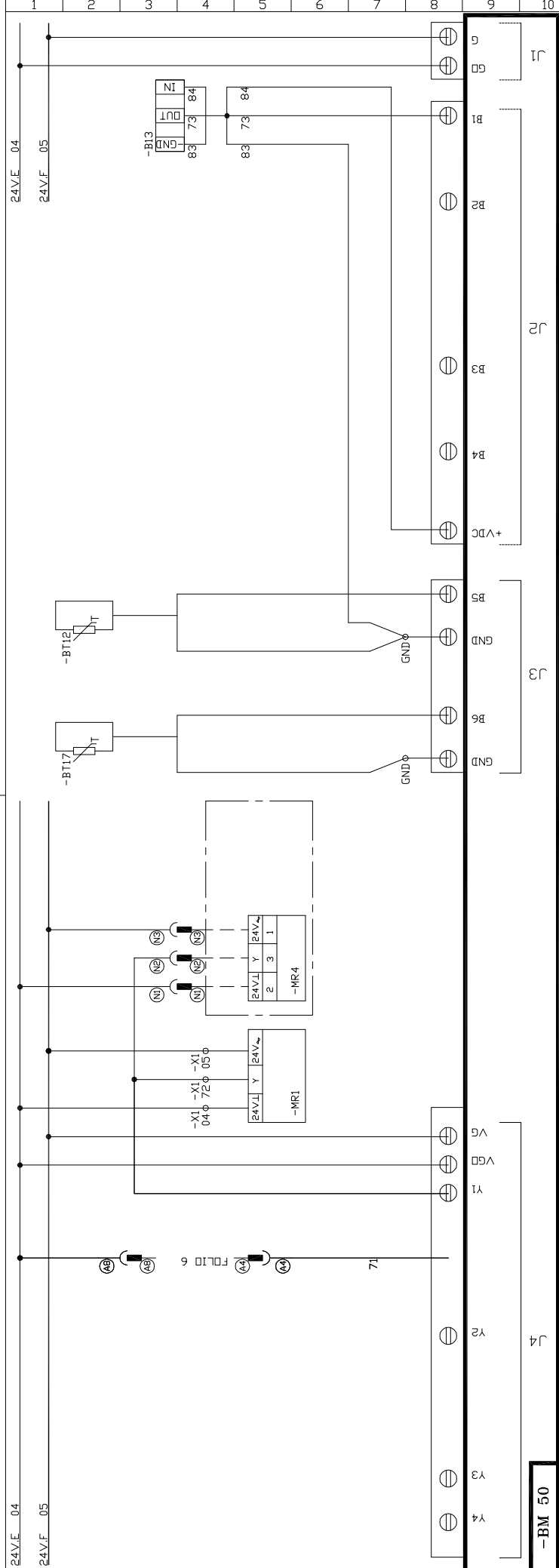
Input B1-B2-B3-B4

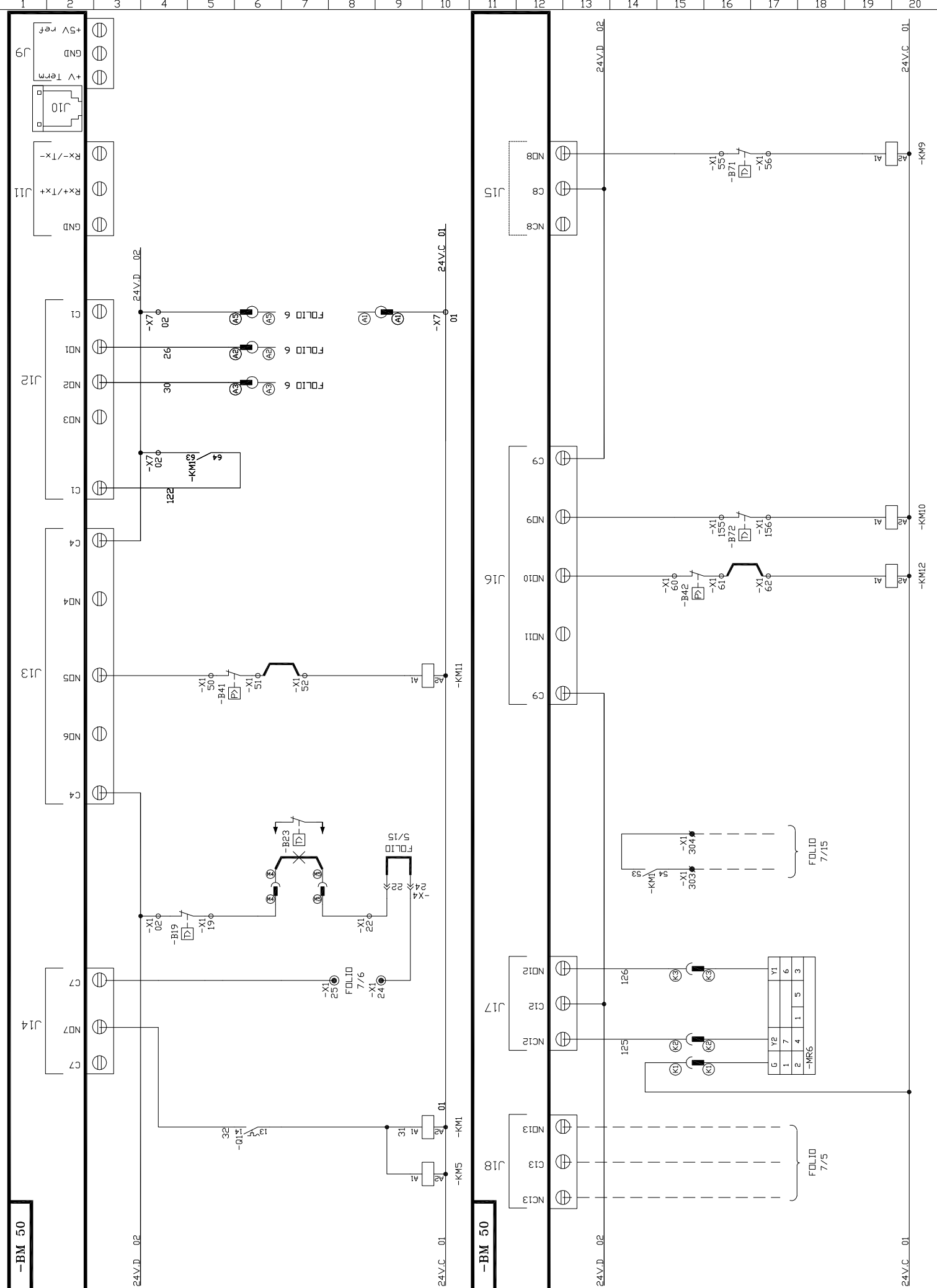
B5/B6	1	2
<input type="checkbox"/>	<input type="checkbox"/>	<input type="checkbox"/>

3	2	1	Input
<input type="checkbox"/>	<input type="checkbox"/>	<input type="checkbox"/>	0/1V
<input type="checkbox"/>	<input type="checkbox"/>	<input type="checkbox"/>	NTC
<input type="checkbox"/>	<input type="checkbox"/>	<input type="checkbox"/>	0/20mA
<input type="checkbox"/>	<input type="checkbox"/>	<input type="checkbox"/>	0/5V

Input B5-B6

Input	
<input type="checkbox"/>	digital input
<input type="checkbox"/>	NTC





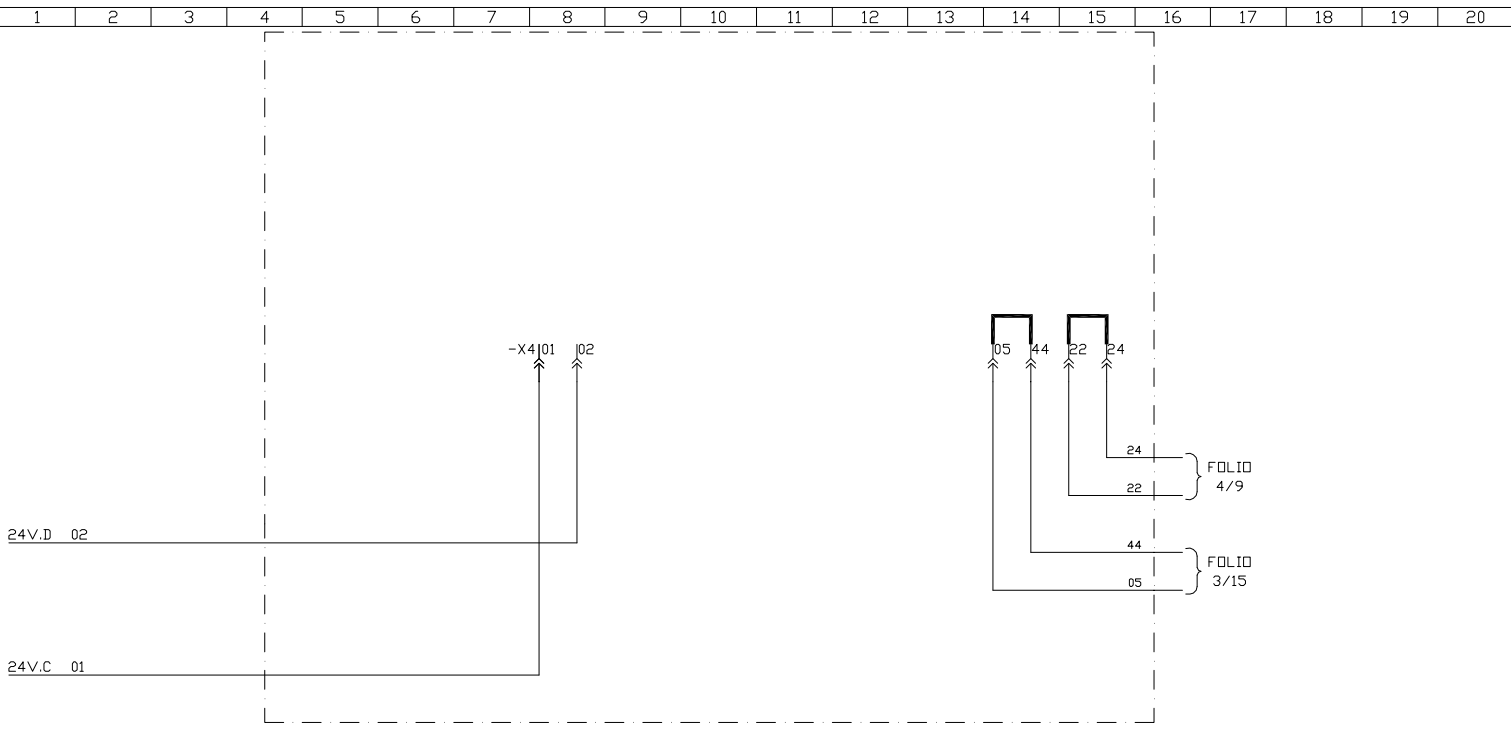
Indice	DATE	NOM	MODIFICATIONS

(2) BGK 060 HD  
Sorties Automate CLIMATIC 50  
Climatic 50 Controller Outputs

Dessine: CTO  
Date: 29.11.07



138284 4/11

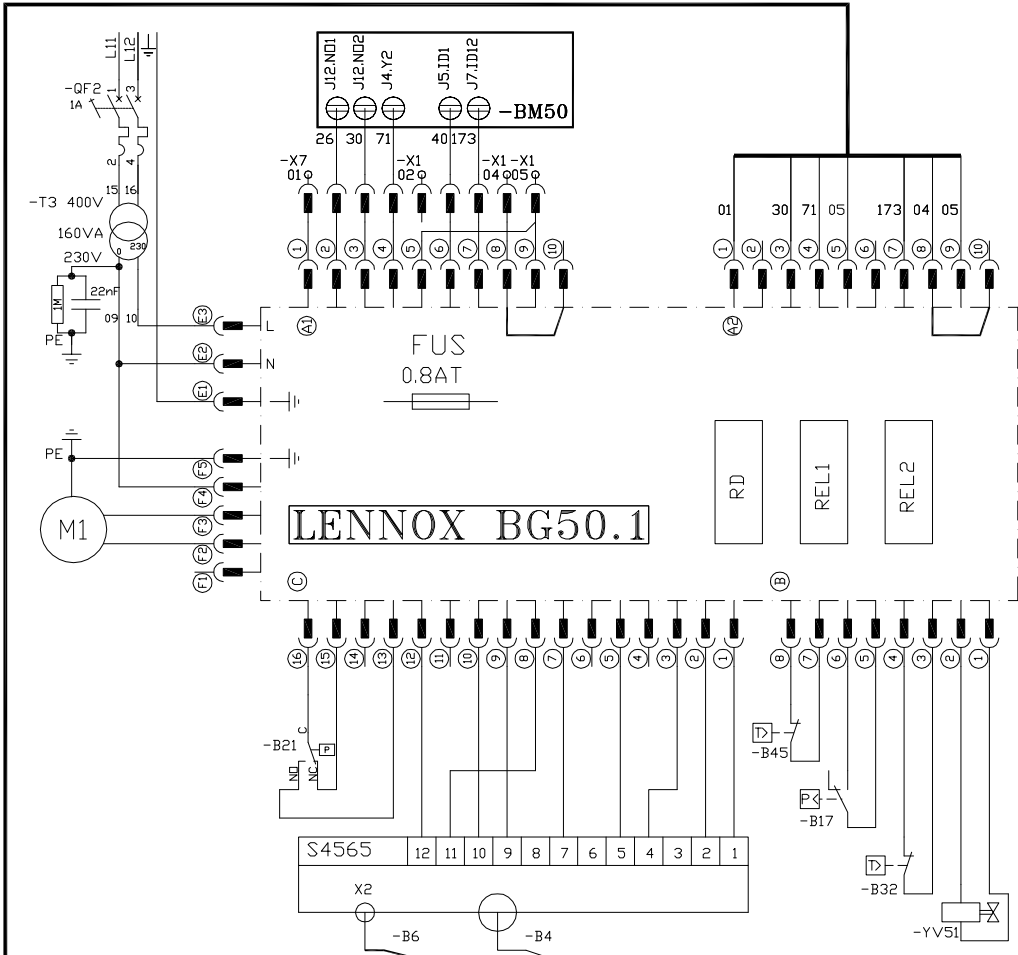


Indice	DATE	NOM	MODIFICATIONS

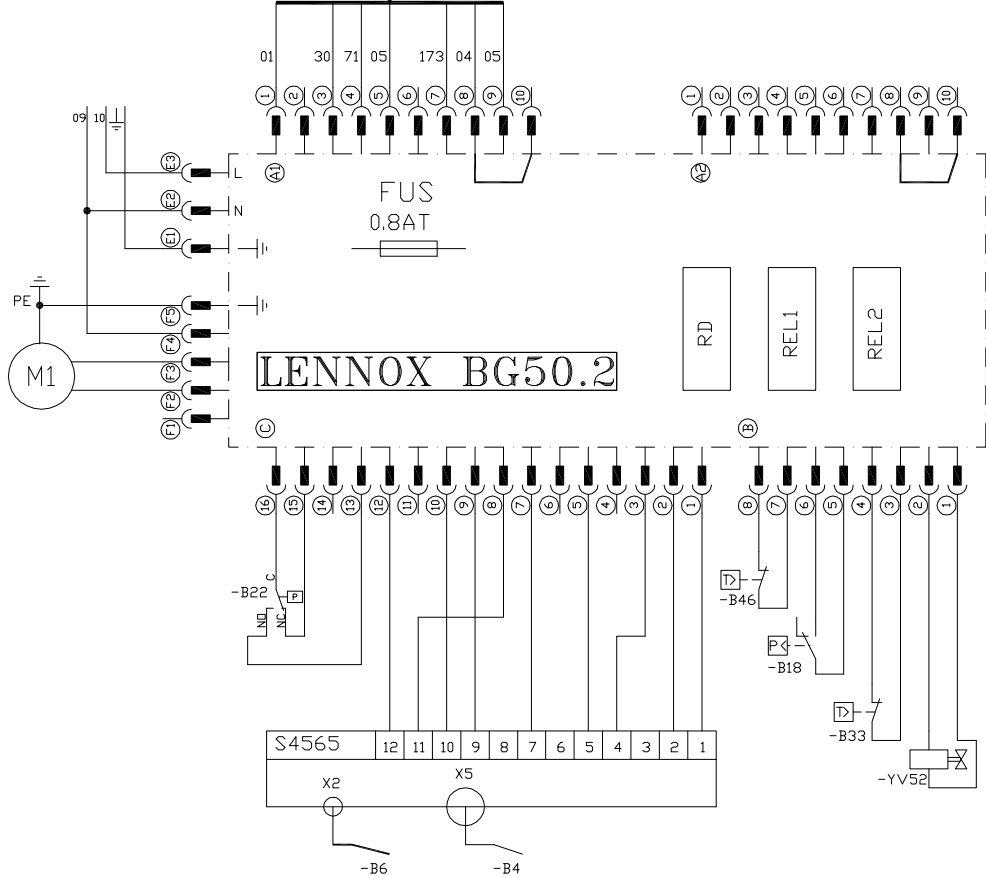
(2) BGK 060 HD  
 DAD \ BE50  
 DAD \ BE50

Dessine: CTO  
 Date: 29.11.07





REPERE	REFERENCE	CODE	Nb
-QF2	C60N 1A BIPOL COURBE D	4480589E	1
-T3	160VA 400V/230V	4430125R	1
-RC	CIRCUIT RC 1MEG0HM - 22nF	4770012Z	1
BG50	BG50	4770634P	2

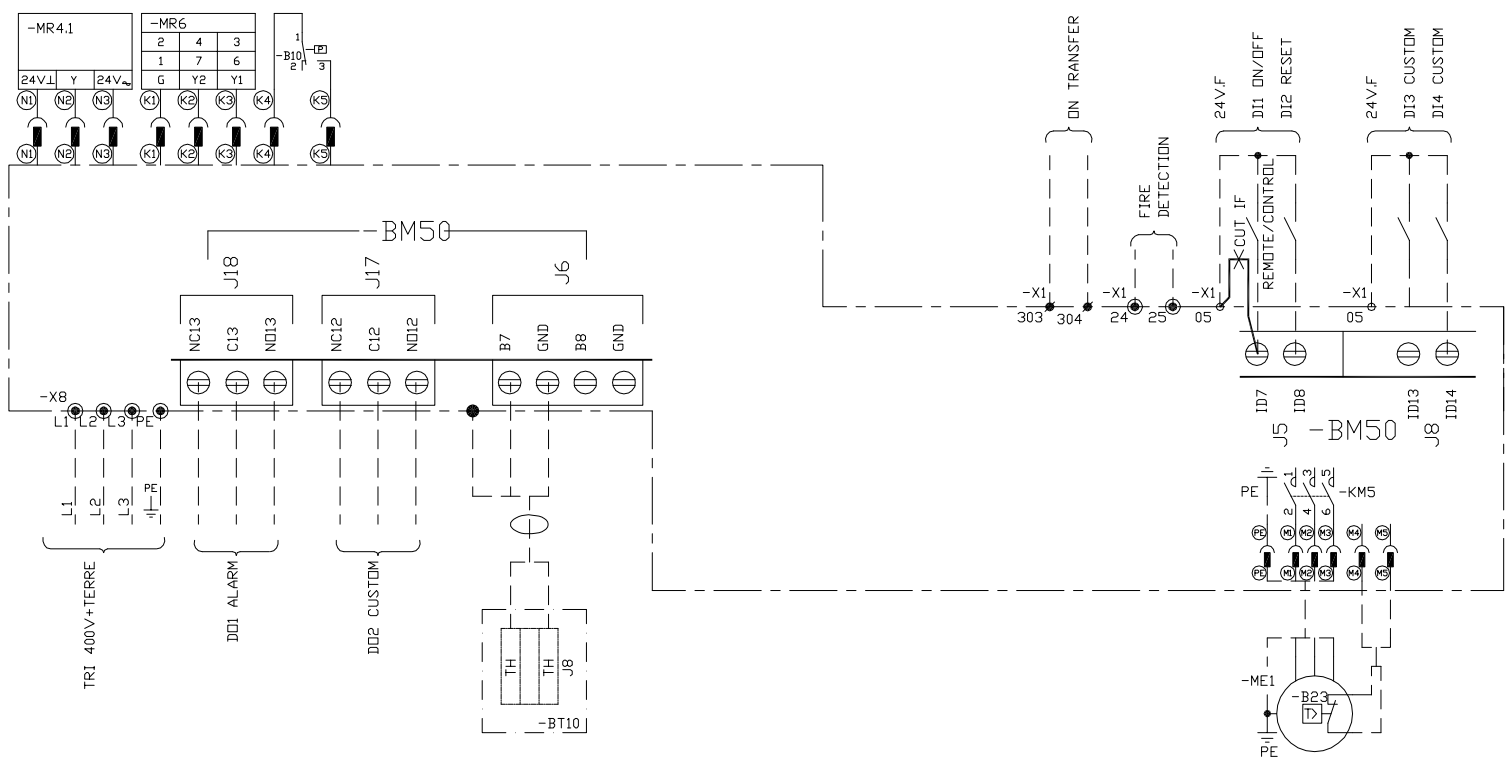
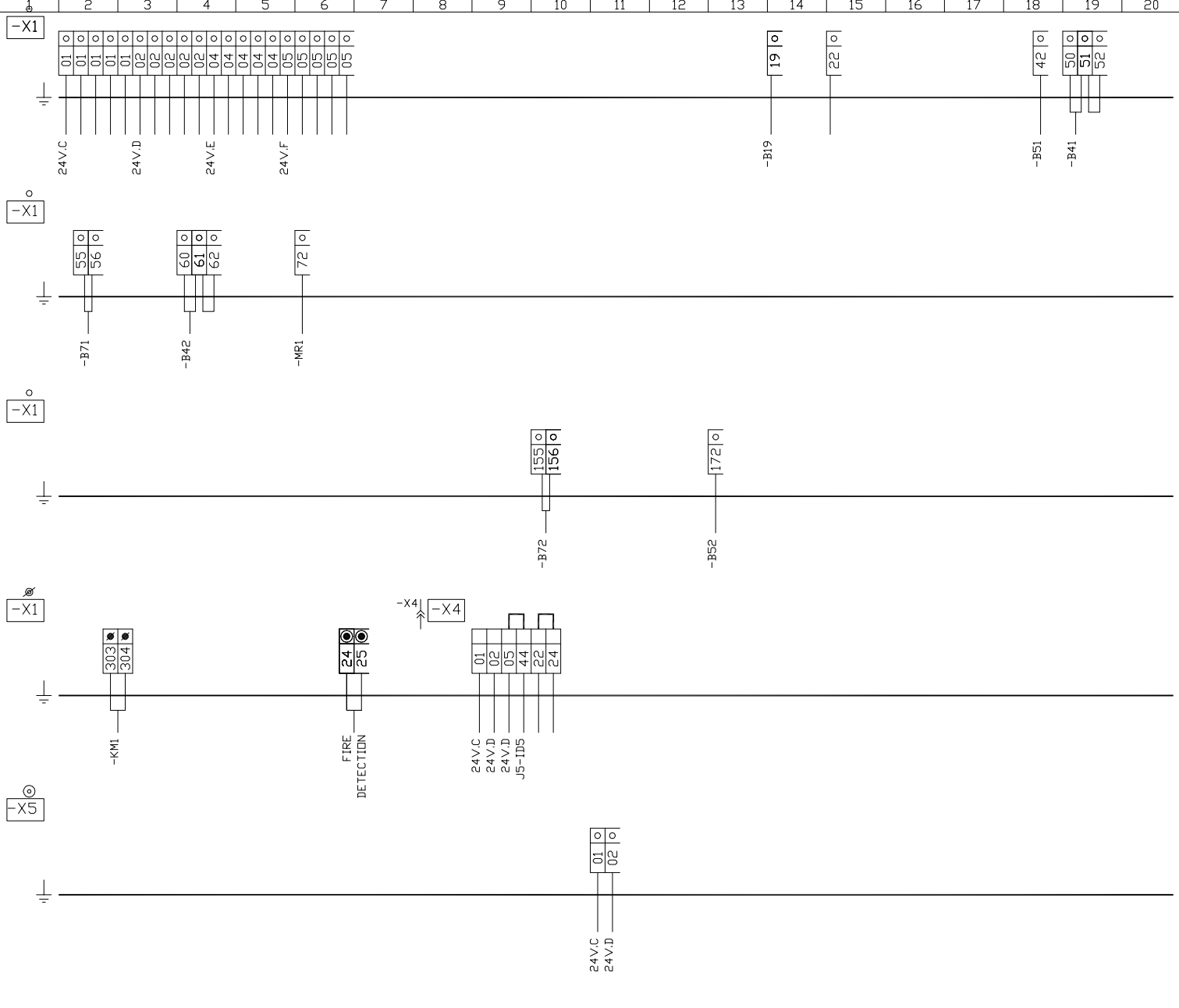


Indice	DATE	NOM	MODIFICATIONS

(2) BGK 060 HD  
Kit chauffage  
GAS

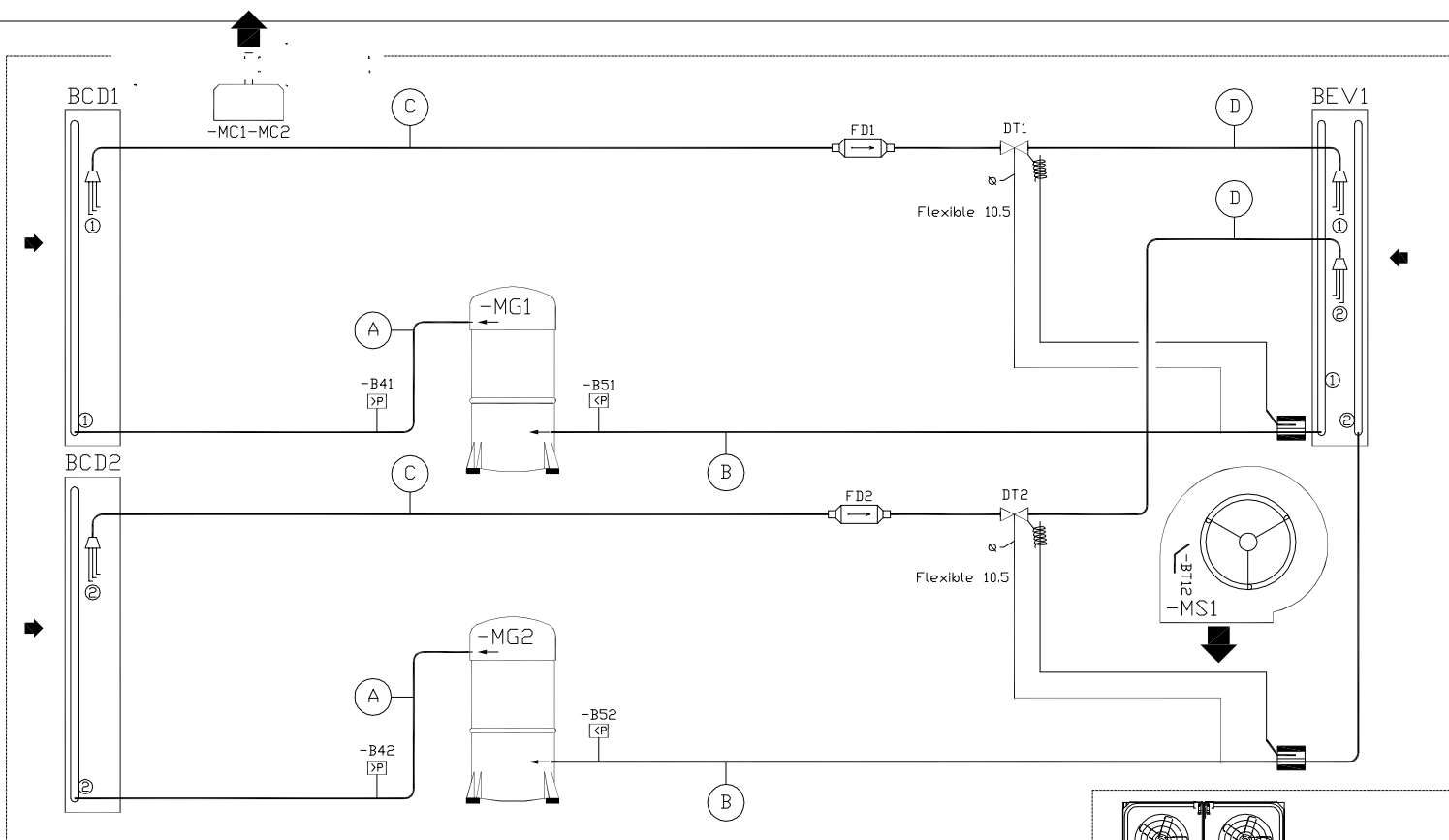
Dessine: CTO  
Date: 29.11.07



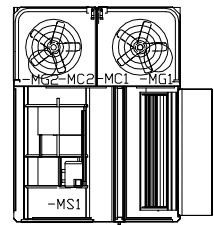








BOX	30/35	40	-MG1	45	-MG2	50	60	70
D	5/8"	5/8"	5/8"	7/8"	7/8"	7/8"	7/8"	7/8"
C	1/2"	1/2"	1/2"	5/8"	5/8"	5/8"	5/8"	5/8"
B	7/8"	1"1/8"	1"1/8"	1"1/8"	1"1/8"	1"3/8"	1"3/8"	1"3/8"
A	5/8"	7/8"	7/8"	7/8"	7/8"	7/8"	7/8"	7/8"



Indice	DATE	NOM	MODIFICATIONS

(2) BGK 060 HD  
 Schéma Frigorifique \ Hydraulique  
 Cooling \ Hydraulic Diagram

Dessine: CTO  
 Date: 29.11.07



138284 9/11





Indice	DATE	NOM	MODIFICATIONS

(2) BGK 060 HD

Dessine:  
CTO  
Date: 29.11.07



138284	/
	11