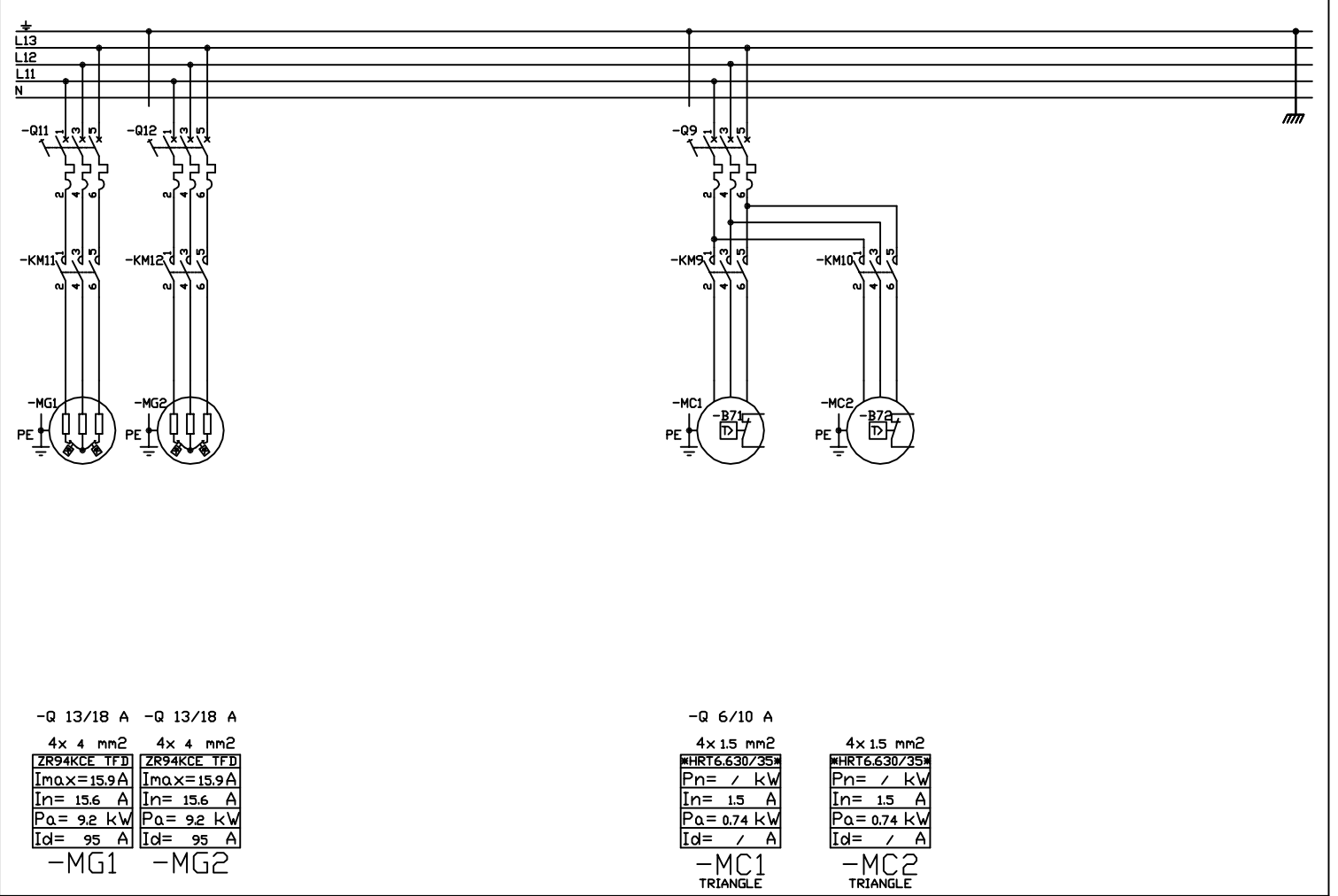
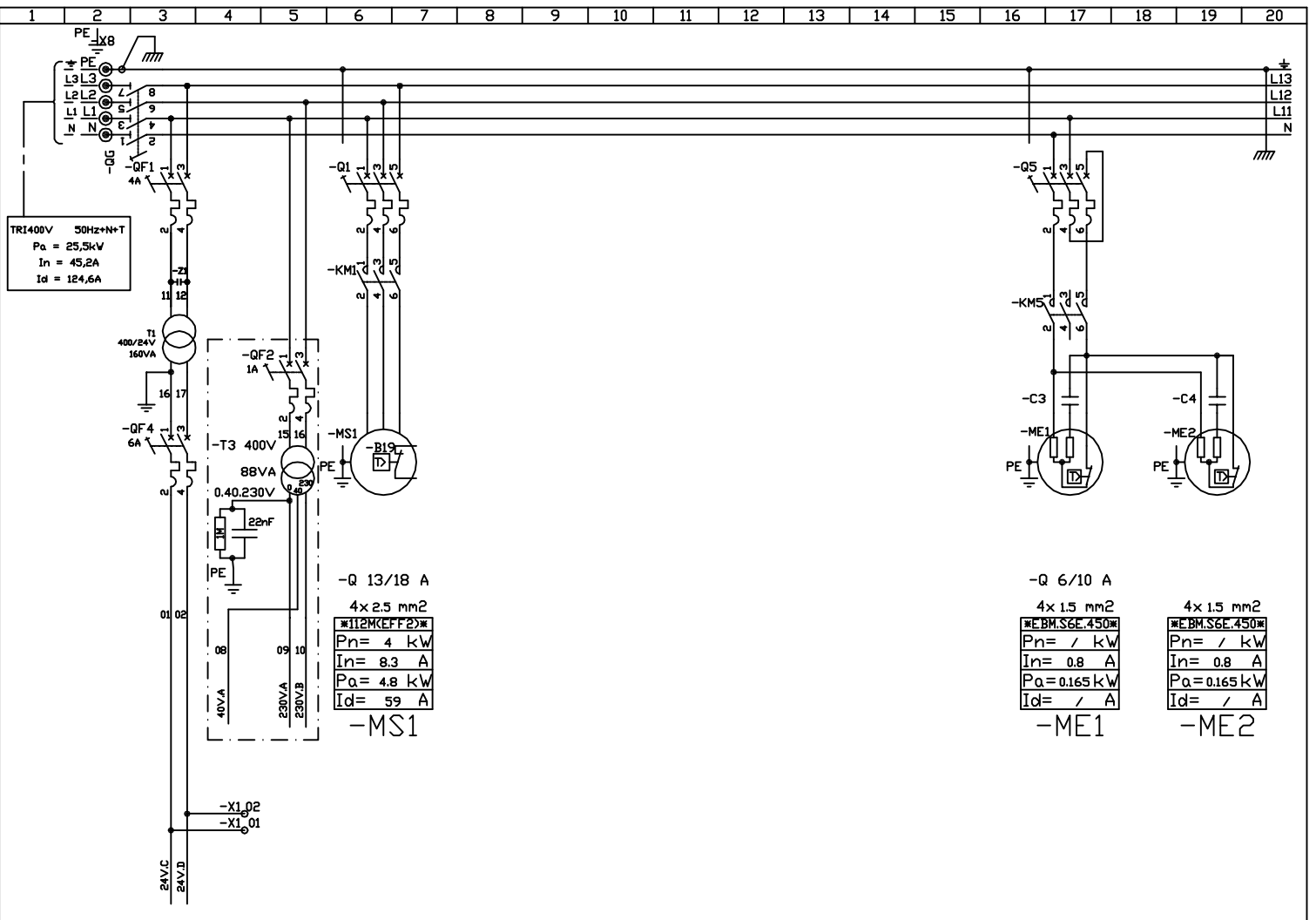
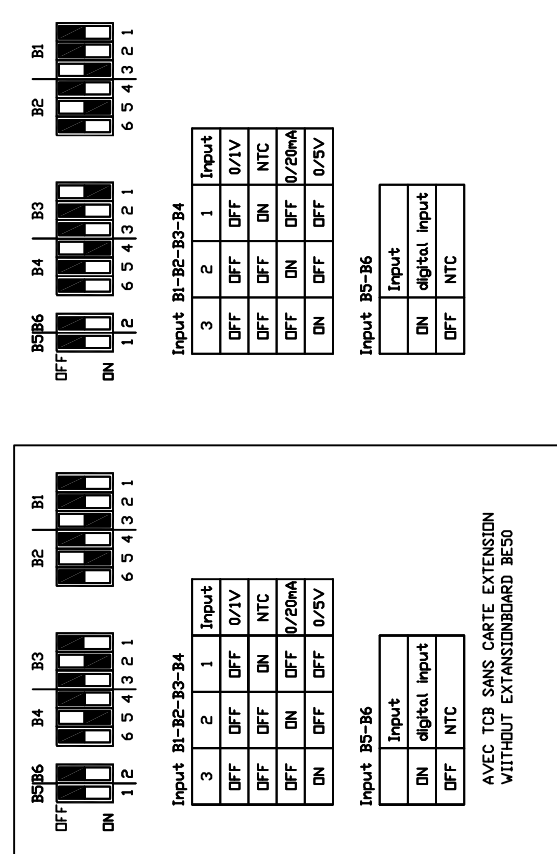
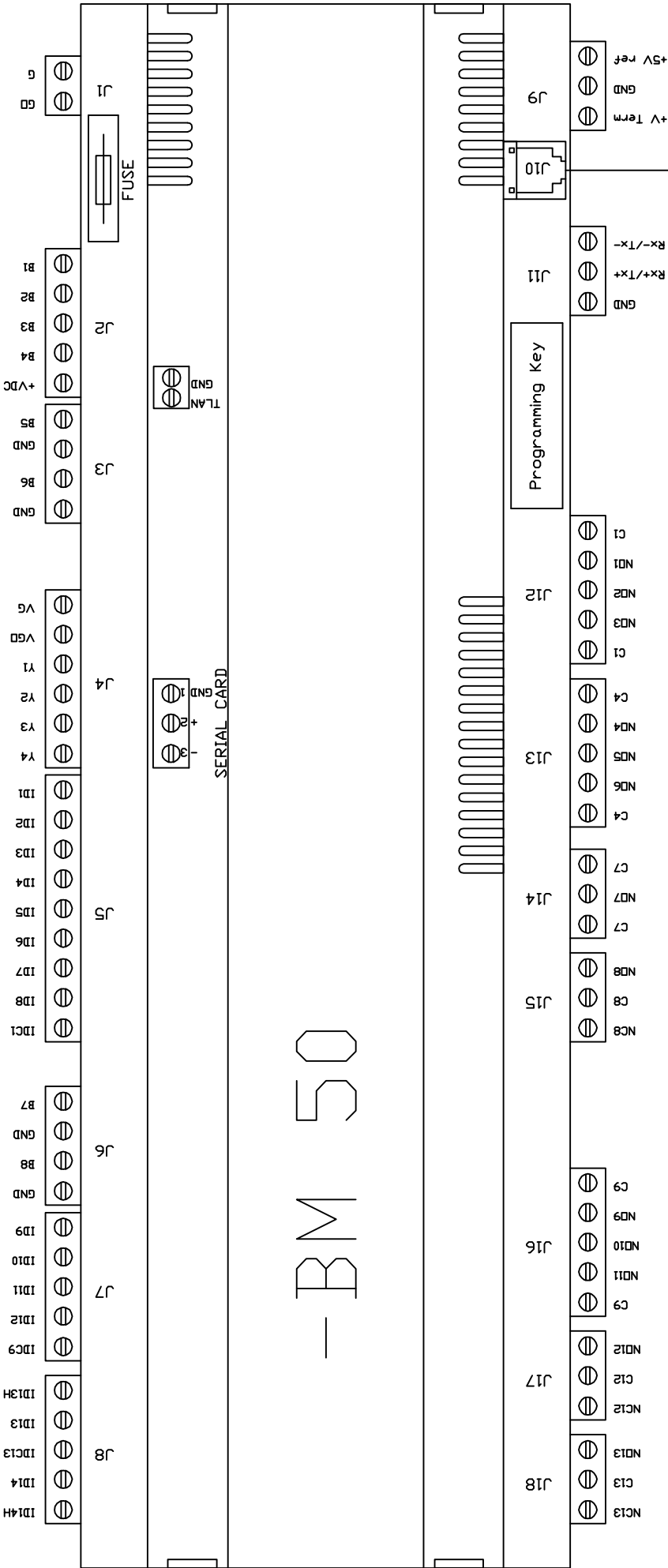
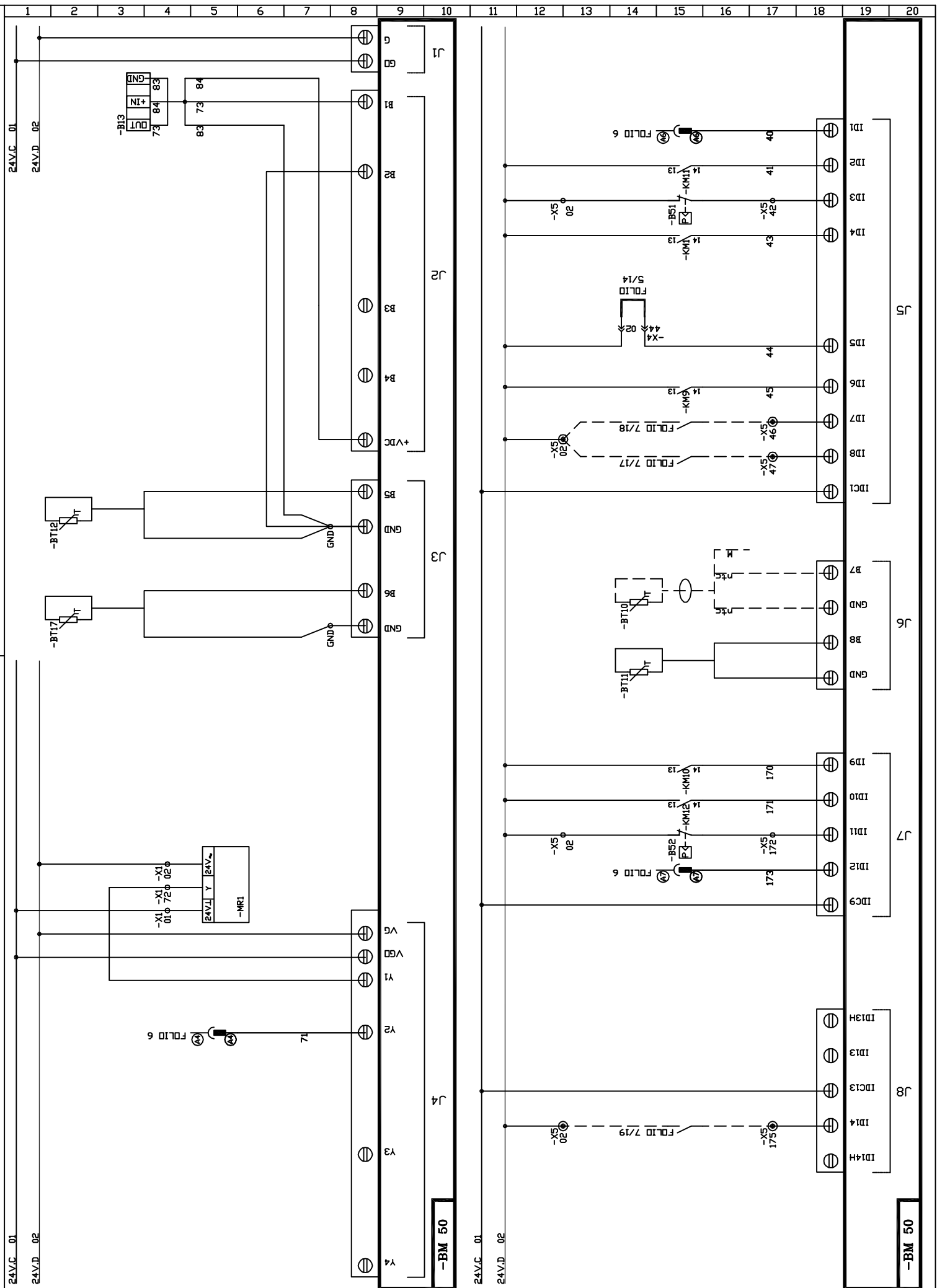


Indice	DATE	NOM	MODIFICATIONS
<b>LENNOX<sup>®</sup></b>			
<b>Peterhead</b>			
(1) BGK 050 HD <b>LENNOX UK</b>		Dessine: CTO Date: 12.10.04	PAGE DE GARDE 238826 0/11



# - BM 50





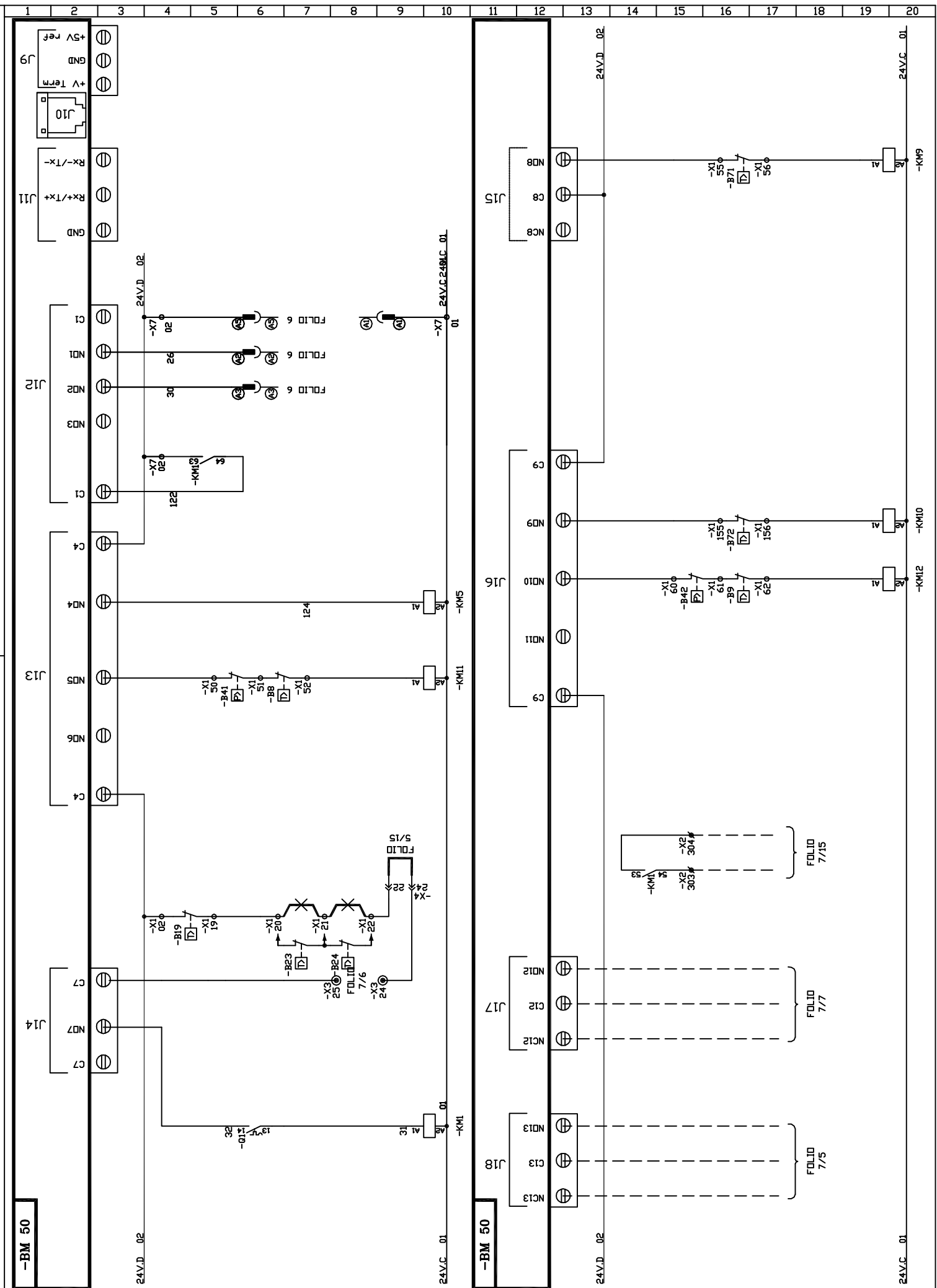
Indice	DATE	NOM	MODIFICATIONS

(1) BCK 050 HD  
Entrées Automate CLIMATIC 50  
Climatic 50 Controller Input

Dessine: CTO  
Date: 12.10.04



238826 3/11



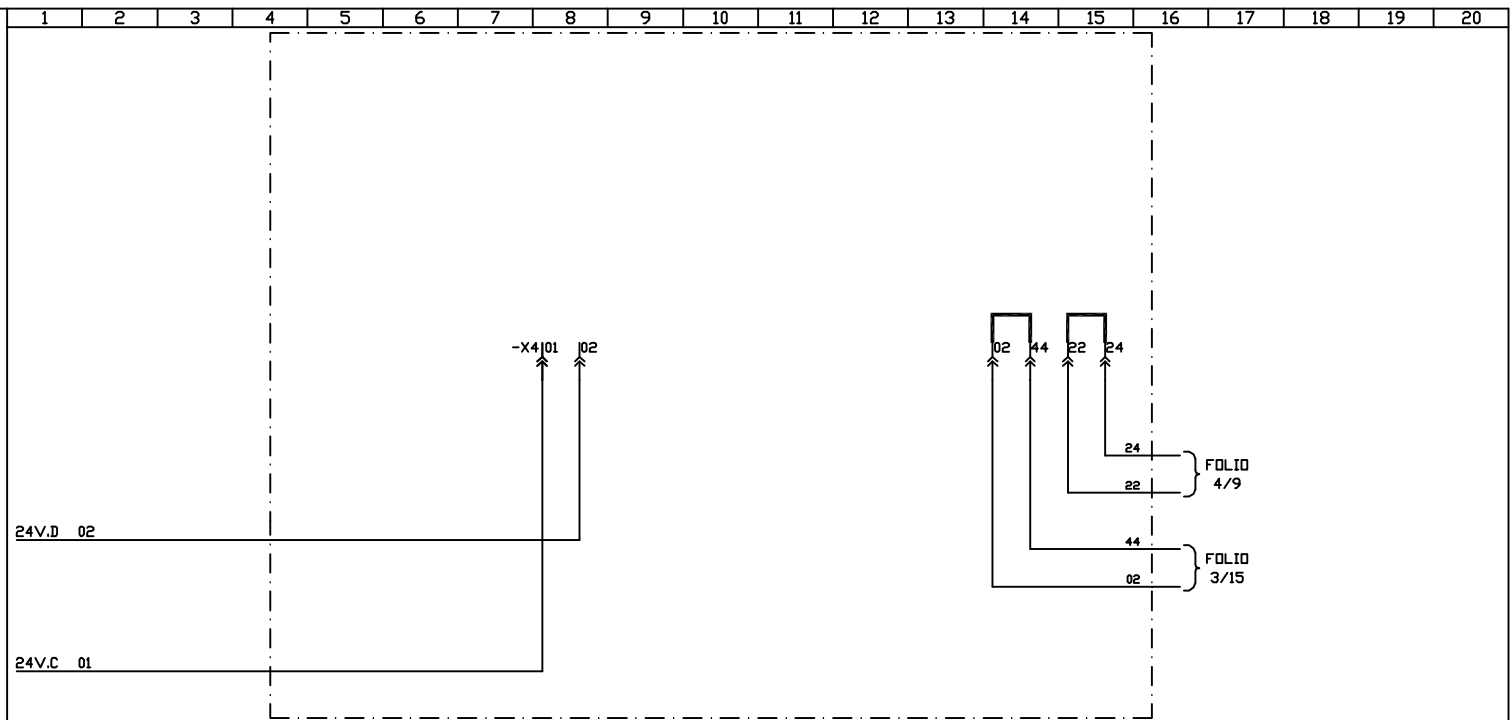
Indice	DATE	NOM	MODIFICATIONS

(1) BCK 050 HD  
Sorties Automate CLIMATIC 50  
CLIMATIC 50 Controller Outputs

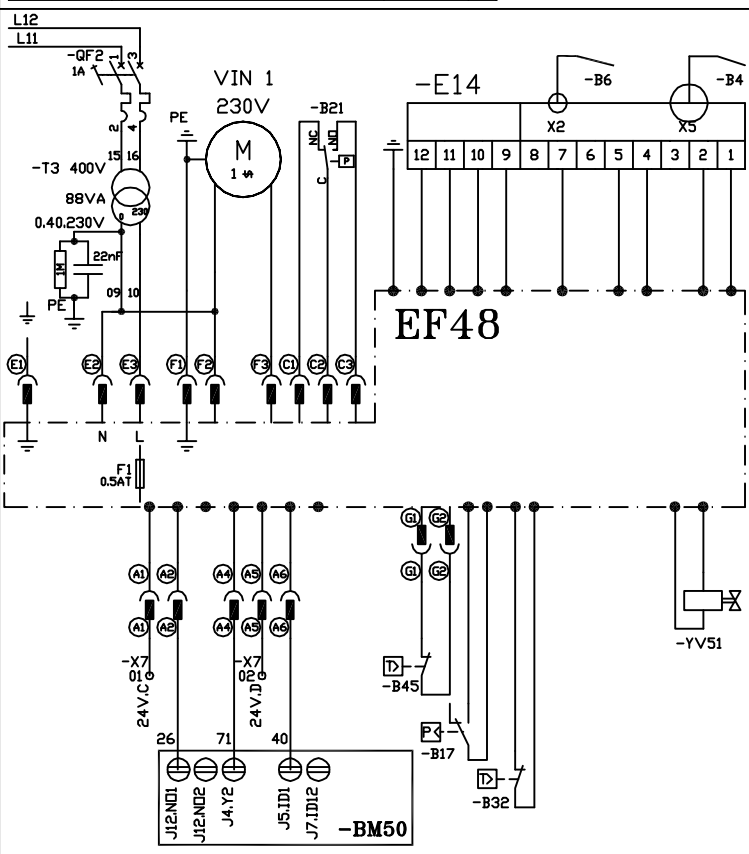
Dessine: CTO  
Date: 12.10.04

**LENNOX**  
USINE DE LONGVIC

238826 4/11



REPERE	REFERENCE	CODE	Nb
-QF2	C60N 1A BIPOL COURBE D	4480589E	1
-T3	88VA 400V/40V/230V	4430131Z	1
-RC	CIRCUIT RC 1MEGOMH - 22nF	4770012Z	1
-EF48	-EF48	4770624Z	1



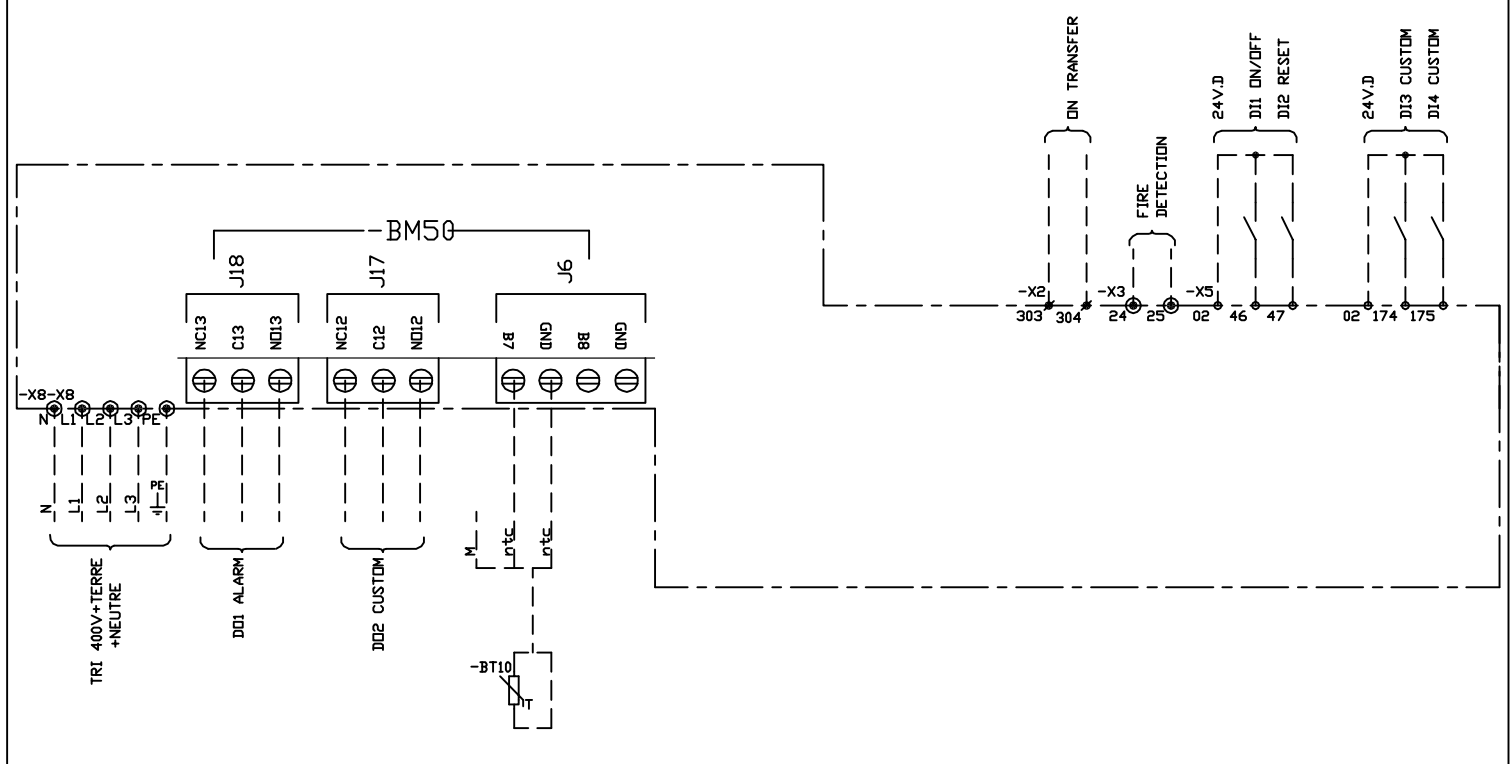
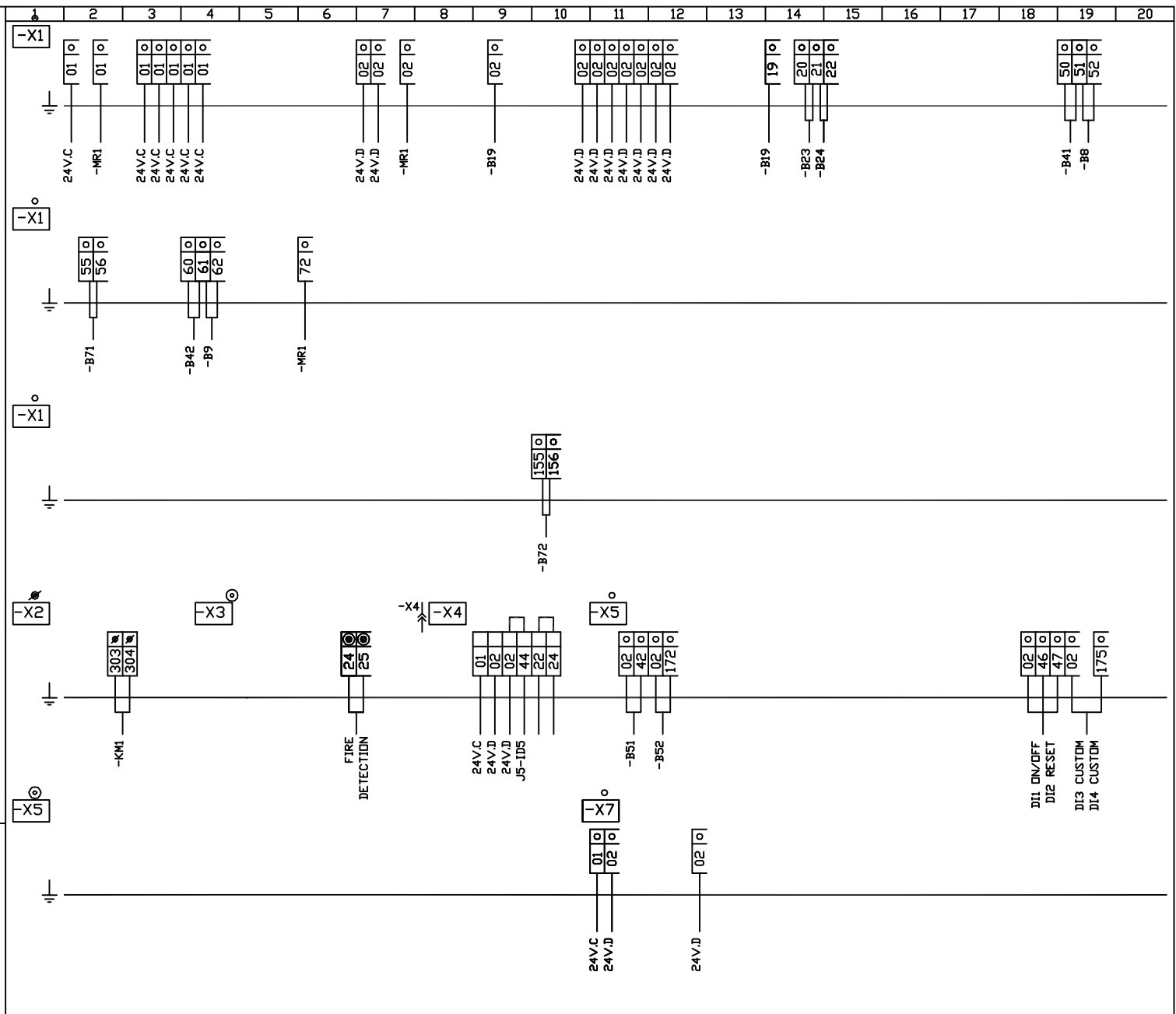
Indice	DATE	NOM	MODIFICATIONS

(1) BCK 050 HD  
Kit chauffage  
GAS

Dessine: CTO  
Date: 12.10.04



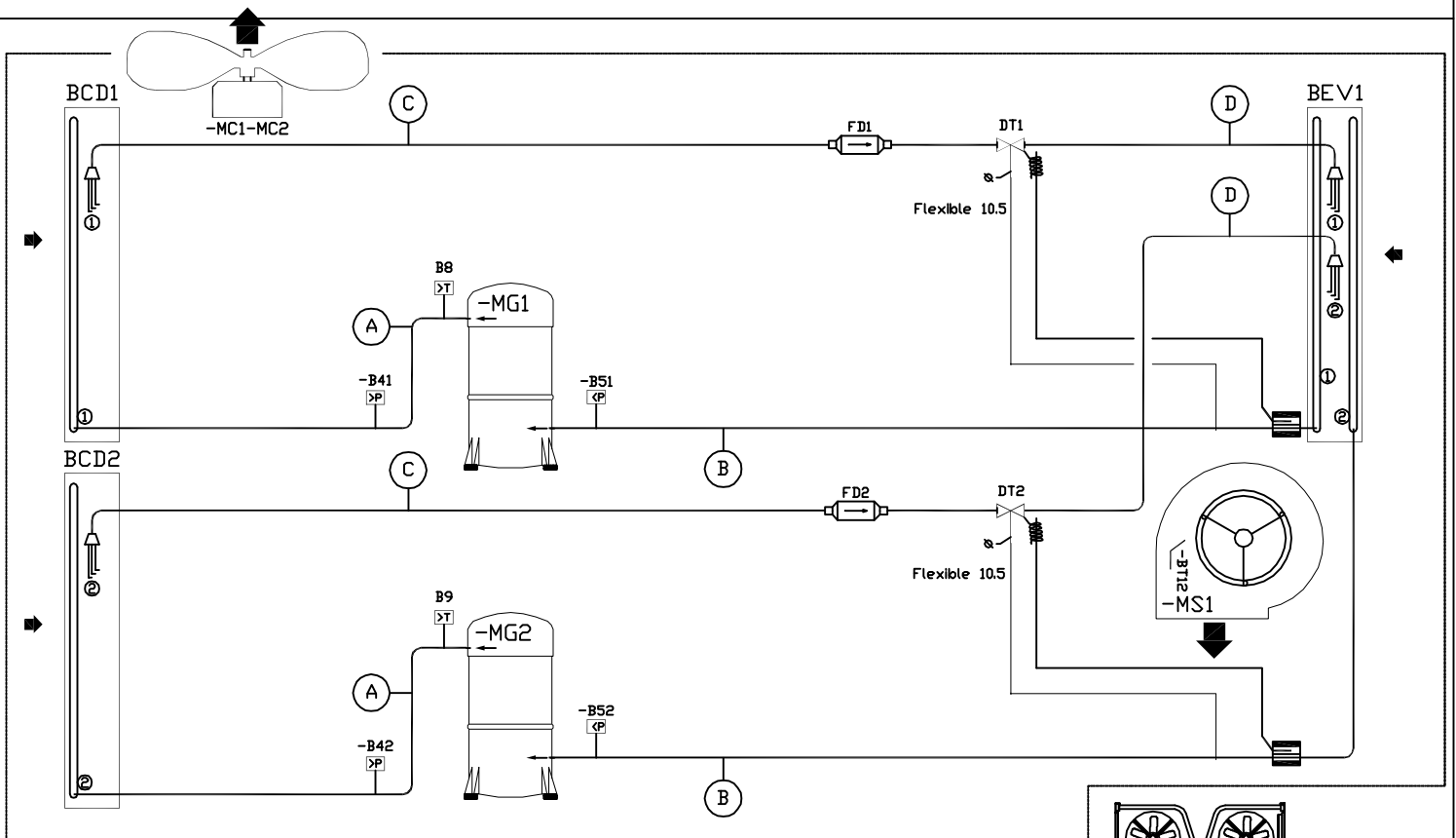
238826 6/11



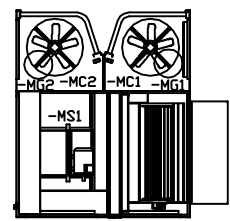
Indice	DATE	NOM	MODIFICATIONS	(1) BCK 050 HD Borniers \ Raccordement Client Terminal Strip \ Customer	Dessine: CTO Date: 12.10.04	<b>LENNOX</b> USINE DE LONGVIC	238826	7/11
--------	------	-----	---------------	---	--------------------------------------	-----------------------------------	--------	------







BOX	30/35	40	-MG1	45	-MG2	50	60	70
D	5/8"	5/8"	5/8"	7/8"	7/8"	7/8"	7/8"	7/8"
C	1/2"	1/2"	1/2"	5/8"	5/8"	5/8"	5/8"	5/8"
B	7/8"	1 1/8"	1 1/8"	1 1/8"	1 1/8"	1 3/8"	1 3/8"	1 3/8"
A	5/8"	7/8"	7/8"	7/8"	7/8"	7/8"	7/8"	7/8"



Indice	DATE	NOM	MODIFICATIONS

(1) BCK 050 HD  
 Schéma Frigorifique \ Hydraulique  
 Cooling \ Hydraulic Diagram

Dessine: CTO  
 Date: 12.10.04



238826 9/11



