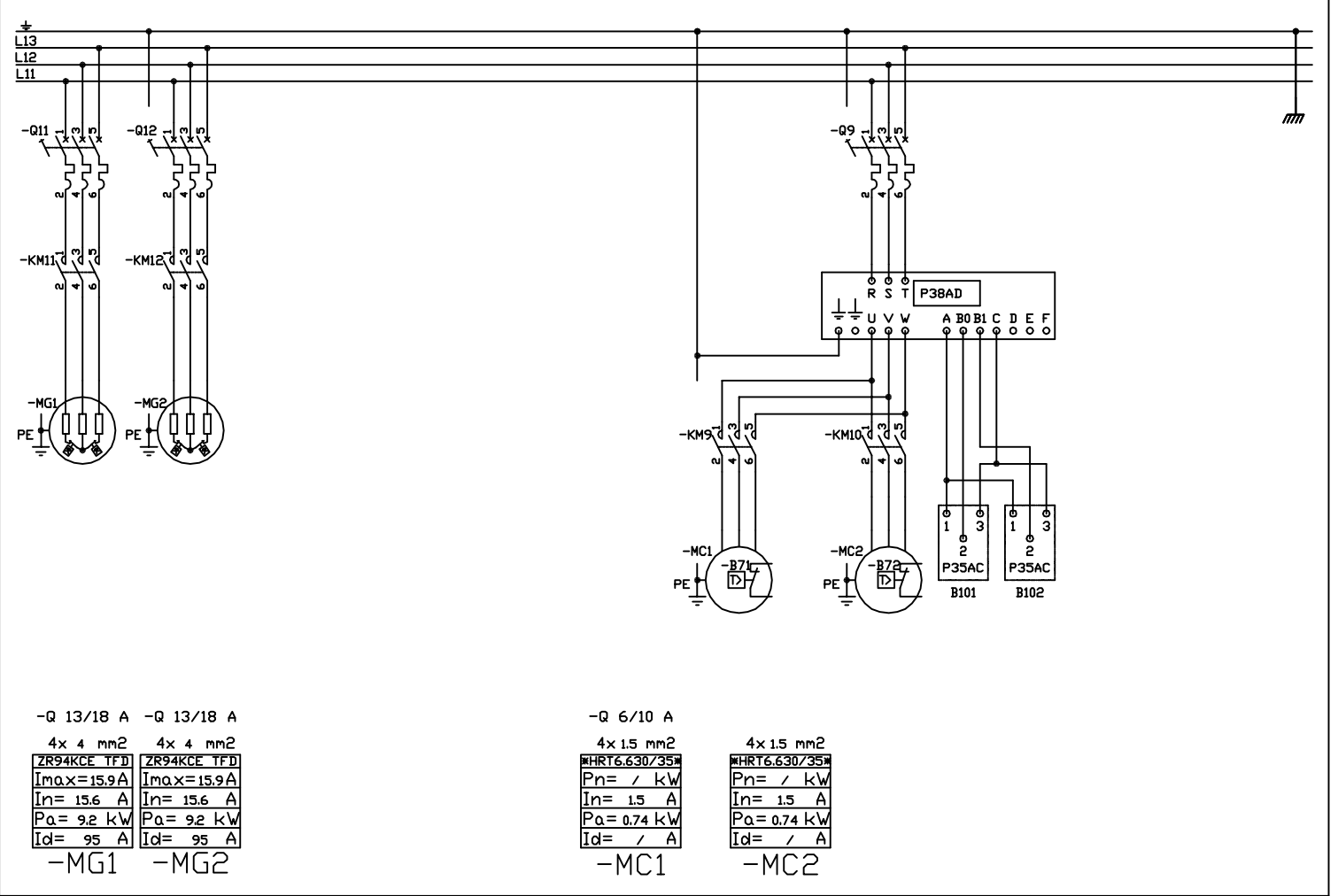
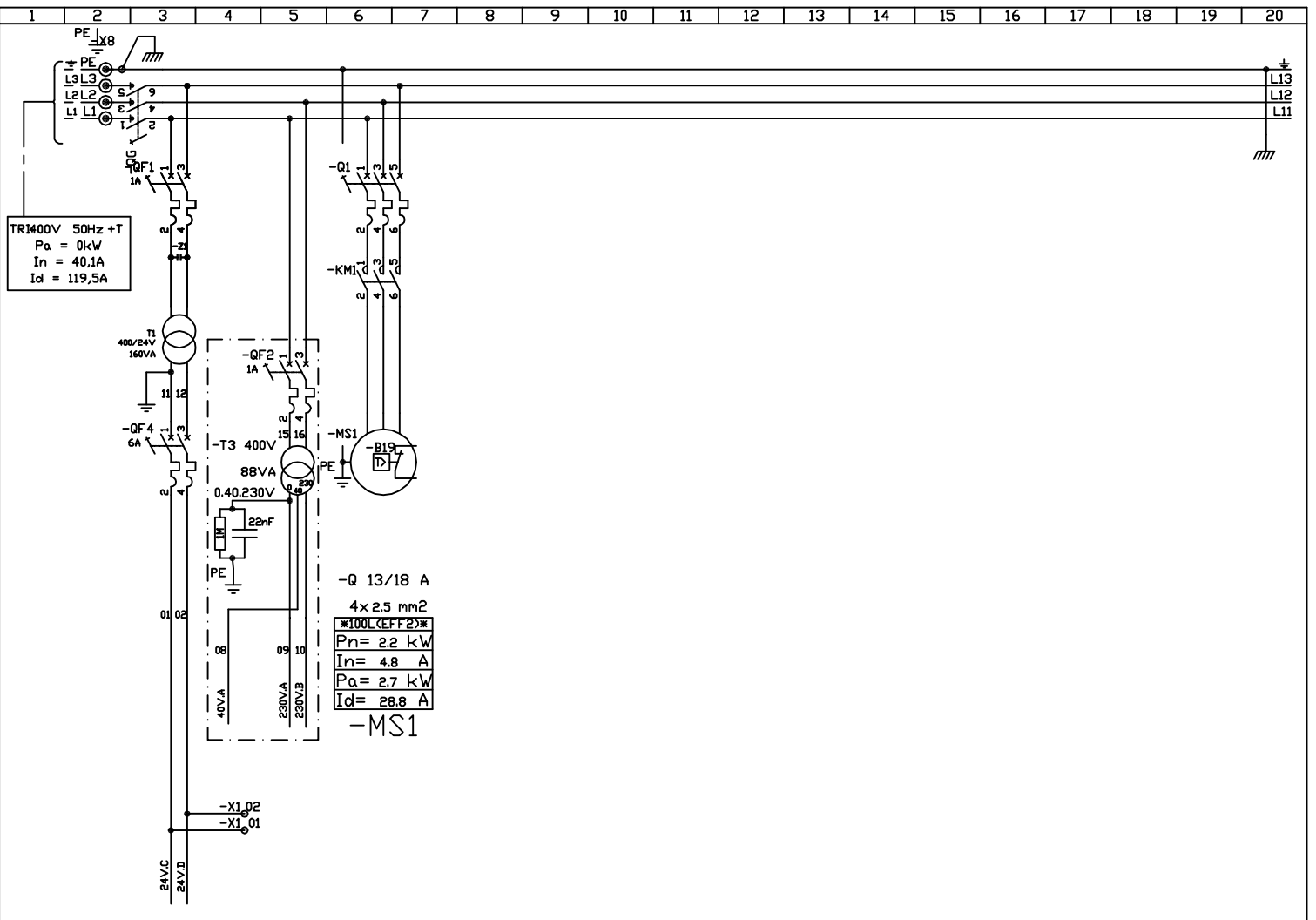
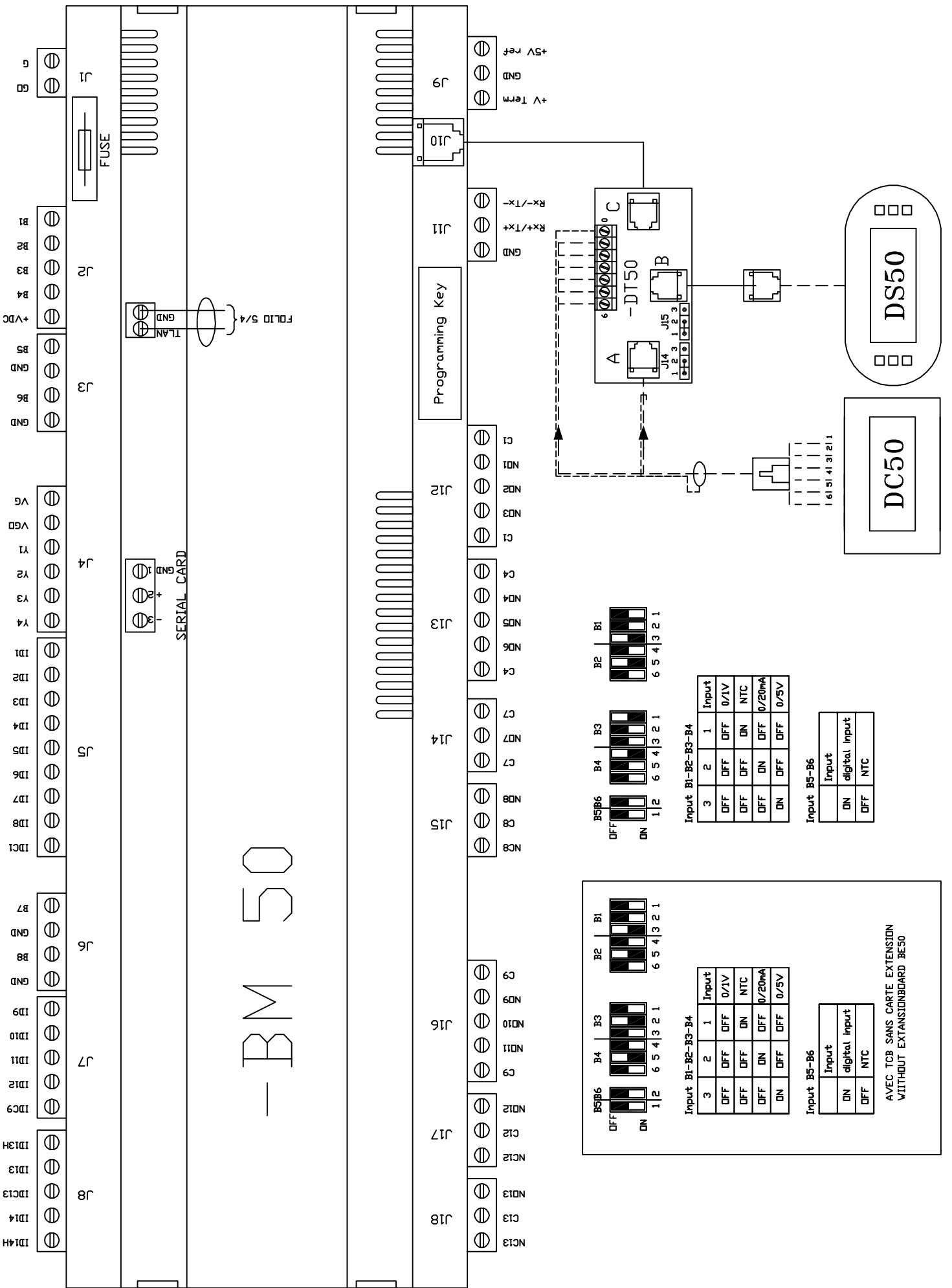


Indice	DATE	NOM	MODIFICATIONS
<i>LENNOX</i> [®]			
Toyota Ipswich			
(1) BGK 050 HD	Dessine: CTO	PAGE DE GARDE	238158 0/11
LENNOX UK	Date: 25.08.04		



- BM 50



Input BI-B2-B3-B4

Input	1	2	3
0/1V	OFF	OFF	OFF
NTC	DN	OFF	OFF
0/20mA	OFF	DN	OFF
0/5V	OFF	OFF	DN

Input B5-B6

Input
digital input
NTC

Input BI-B2-B3-B4

Input	1	2	3
0/1V	OFF	OFF	OFF
NTC	DN	OFF	OFF
0/20mA	OFF	DN	OFF
0/5V	OFF	OFF	DN

Input B5-B6

Input
digital input
NTC

AVEC TCB SANS CARTE EXTENSION
WITHOUT EXTENSIONBOARD BE50

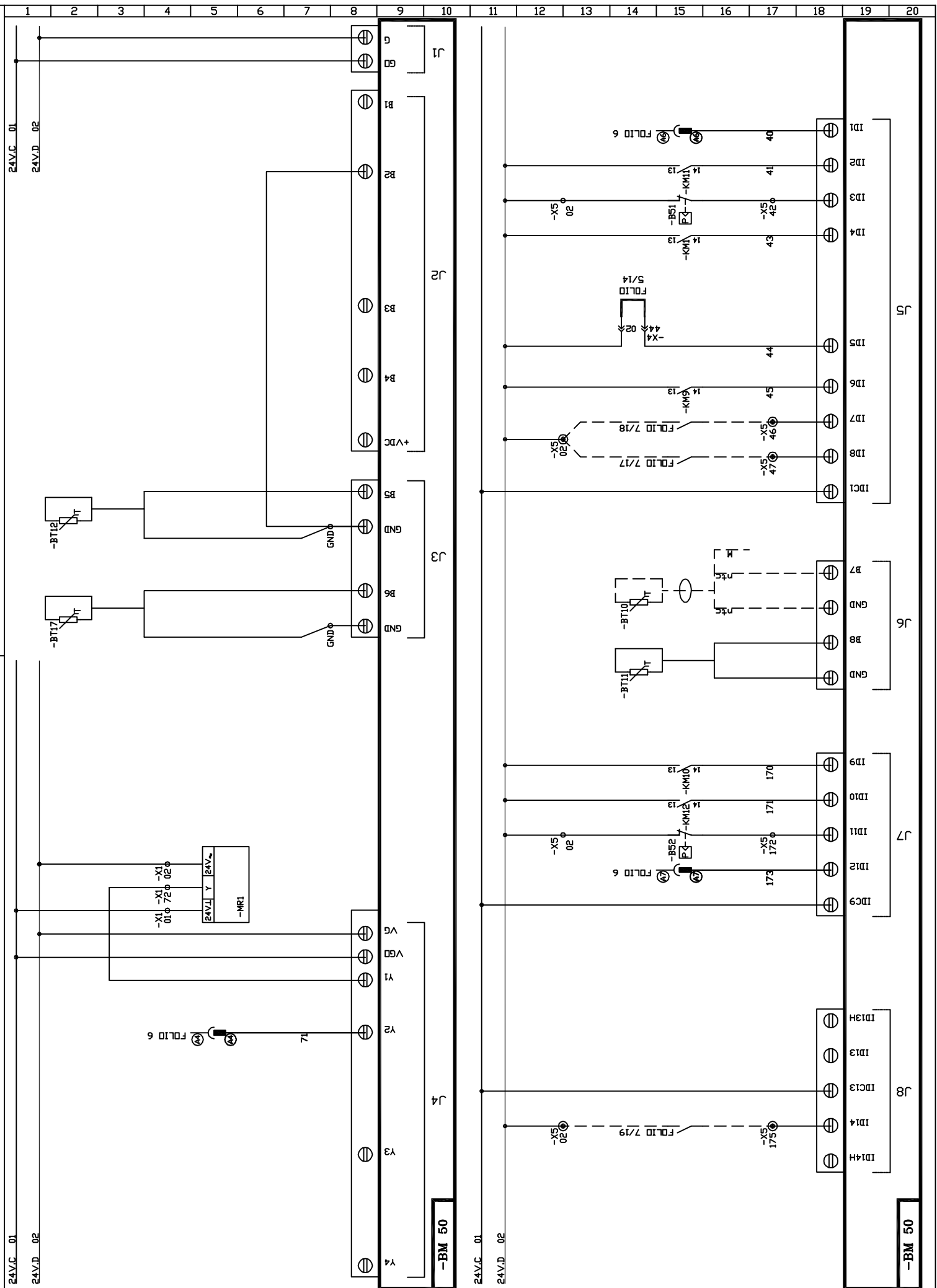
(1) BCK 050 HD
Automate CLIMATIC 50
Climatic 50 Controller

Dessine: CTO
Date: 25.08.04

LENNOX
USINE DE LONGVIC

238158 2/11

Indice	DATE	NOM	MODIFICATIONS



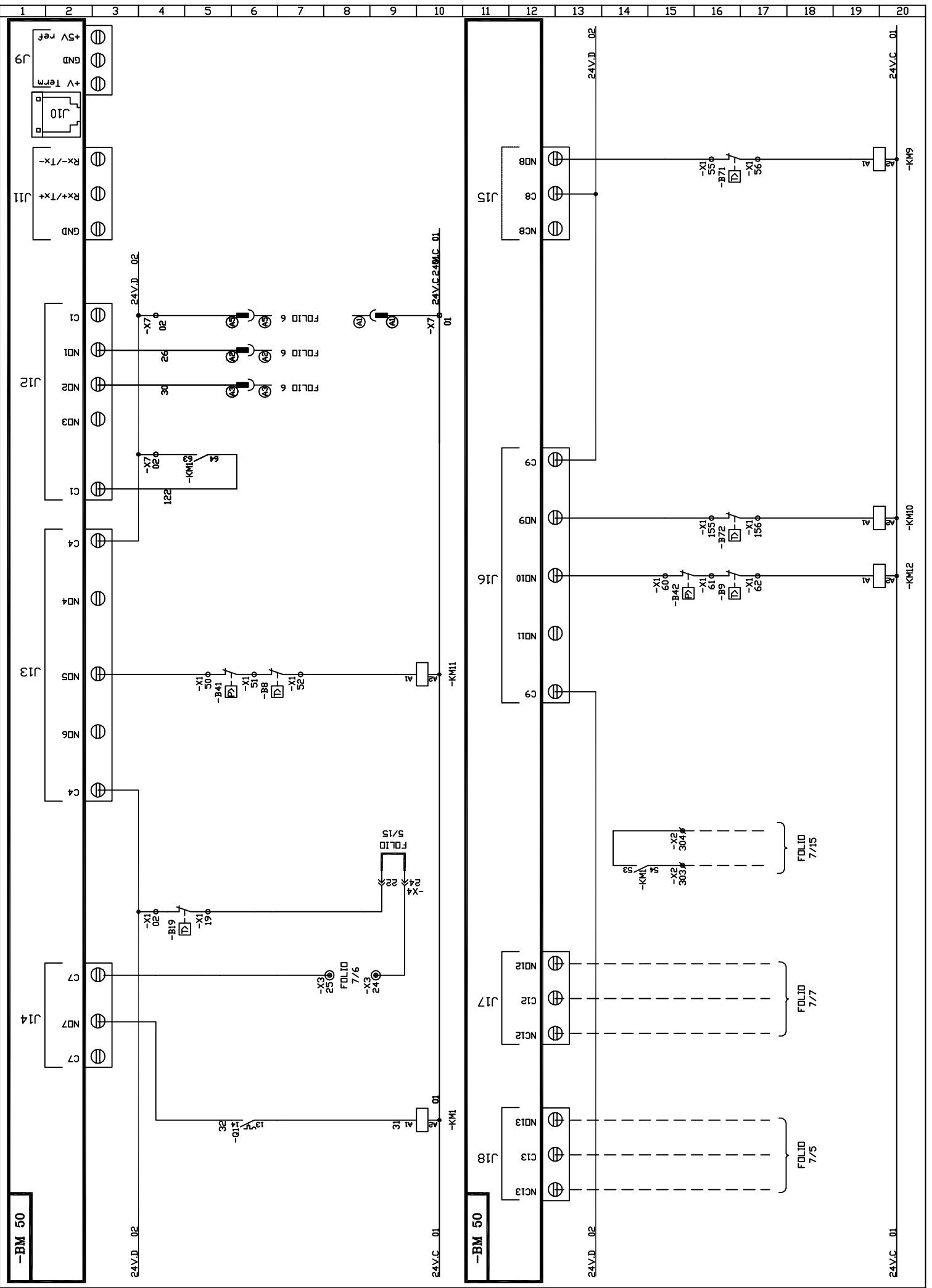
Indice	DATE	NOM	MODIFICATIONS

(1) BCK 050 HD
Entrées Automate CLIMATIC 50
Climatic 50 Controller Input

Dessine: CTO
Date: 25.08.04



238158 3/11



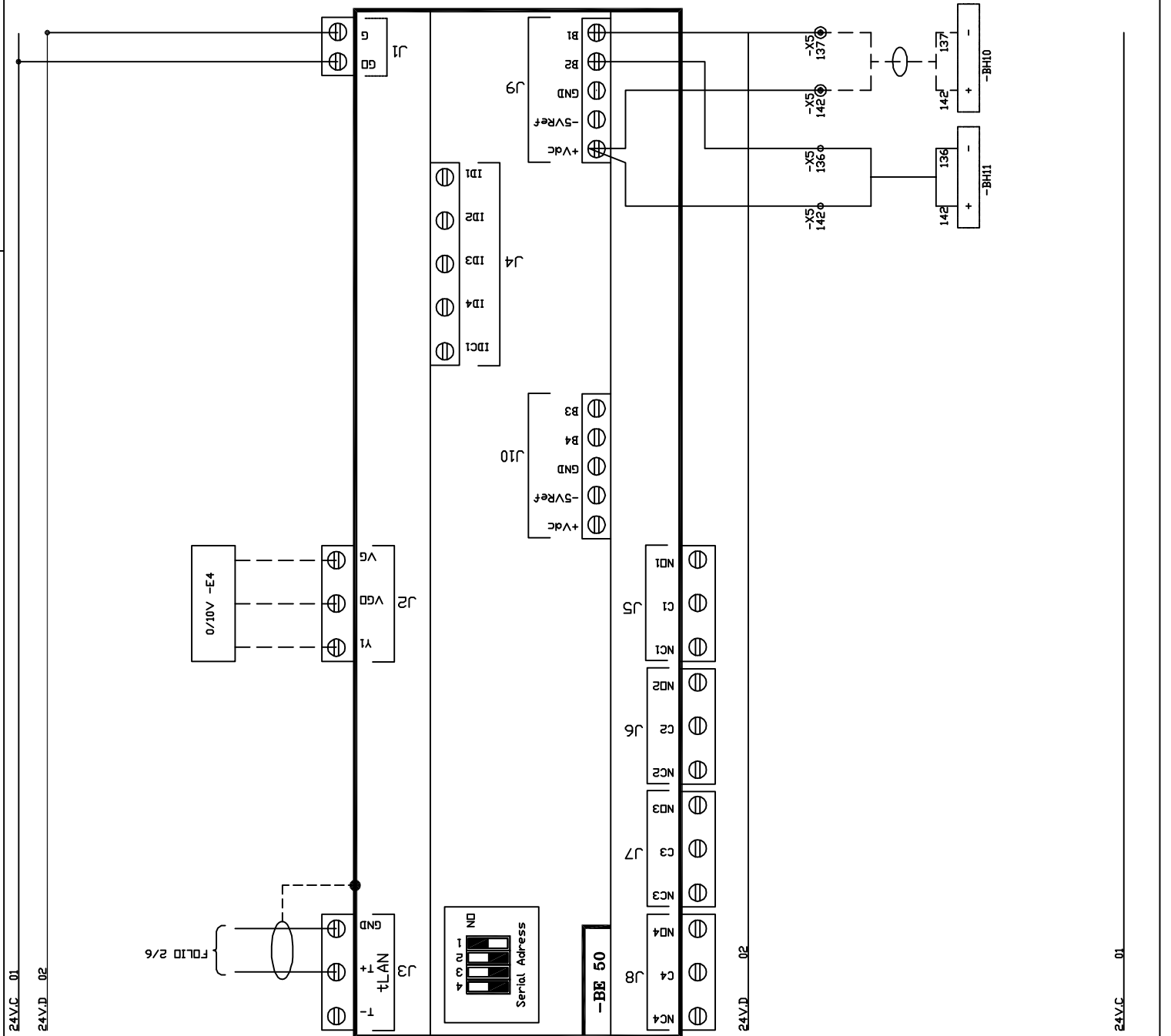
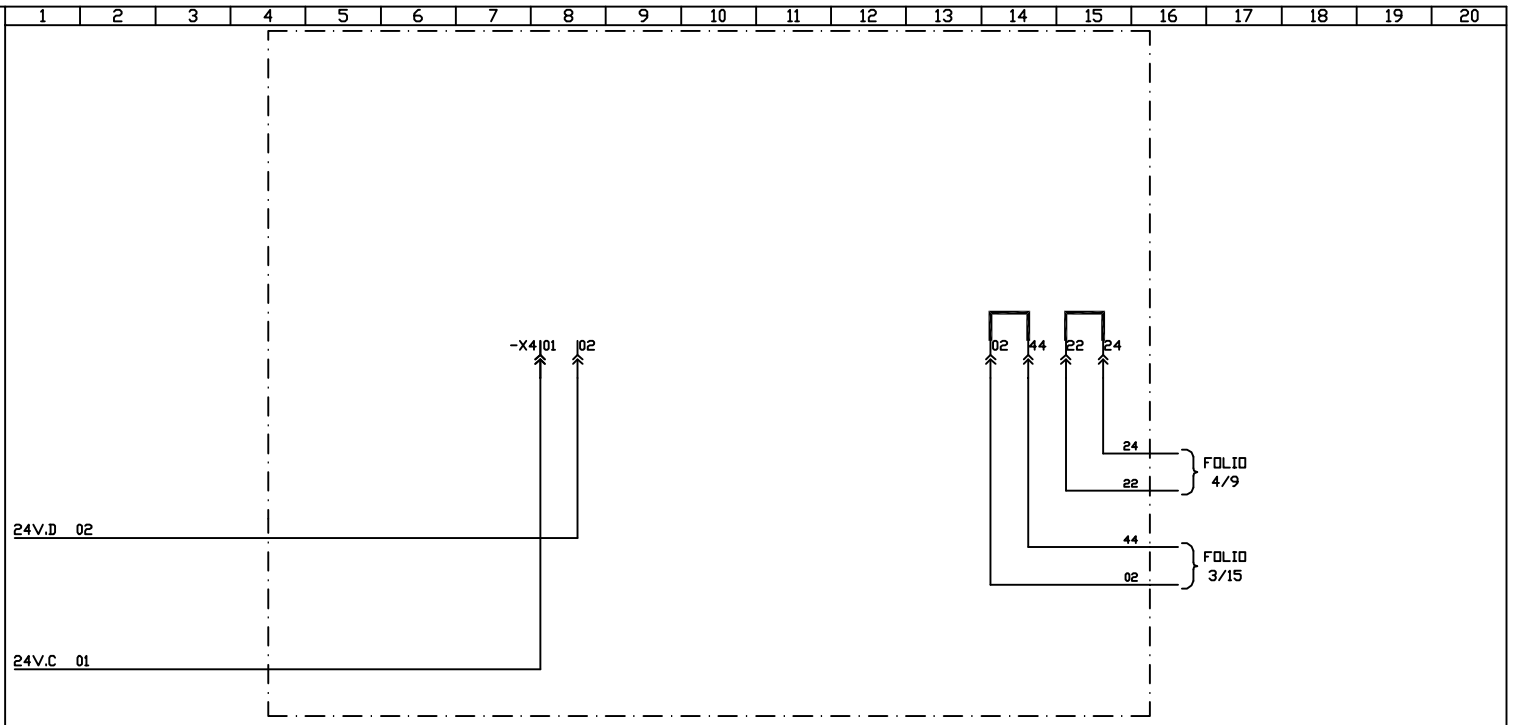
Indice	DATE	NOM	MODIFICATIONS

(1) BCK 050 HD
Sorties Automate CLIMATIC 50
Climatic 50 Controller Outputs

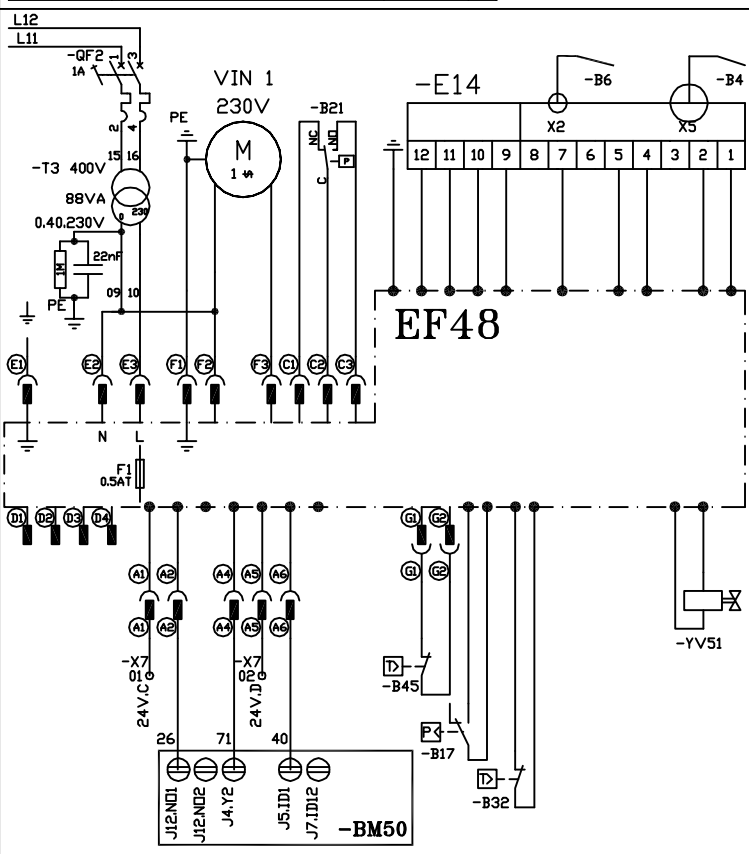
Dessine: CTO
Date: 25.08.04



238158 4/11



REPERE	REFERENCE	CODE	Nb
-QF2	C60N 1A BIPOL COURBE D	4480589E	1
-T3	88VA 400V/40V/230V	4430131Z	1
-RC	CIRCUIT RC 1MEG0HM - 22nF	4770012Z	1
-EF48	-EF48	4770624Z	1

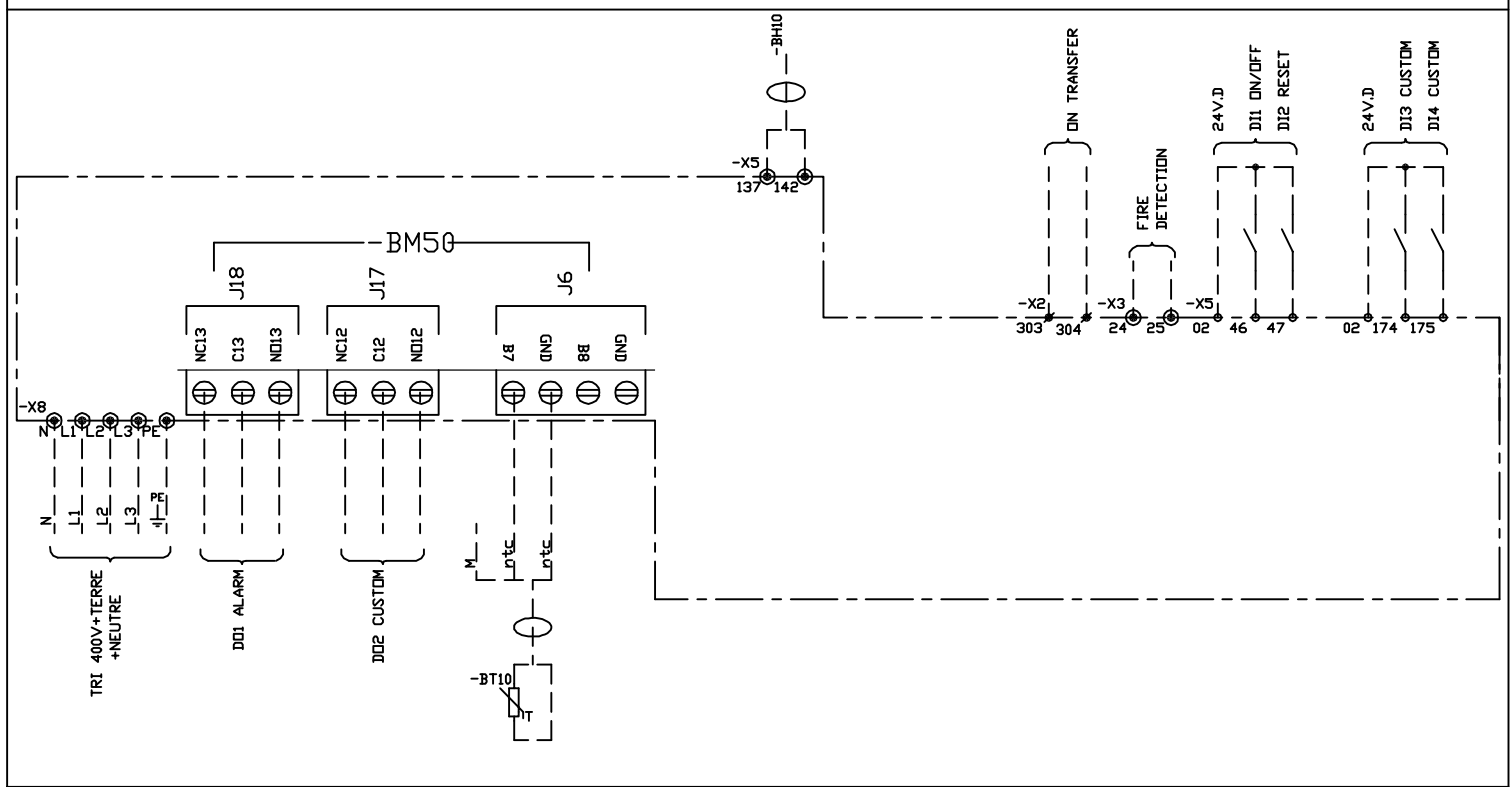
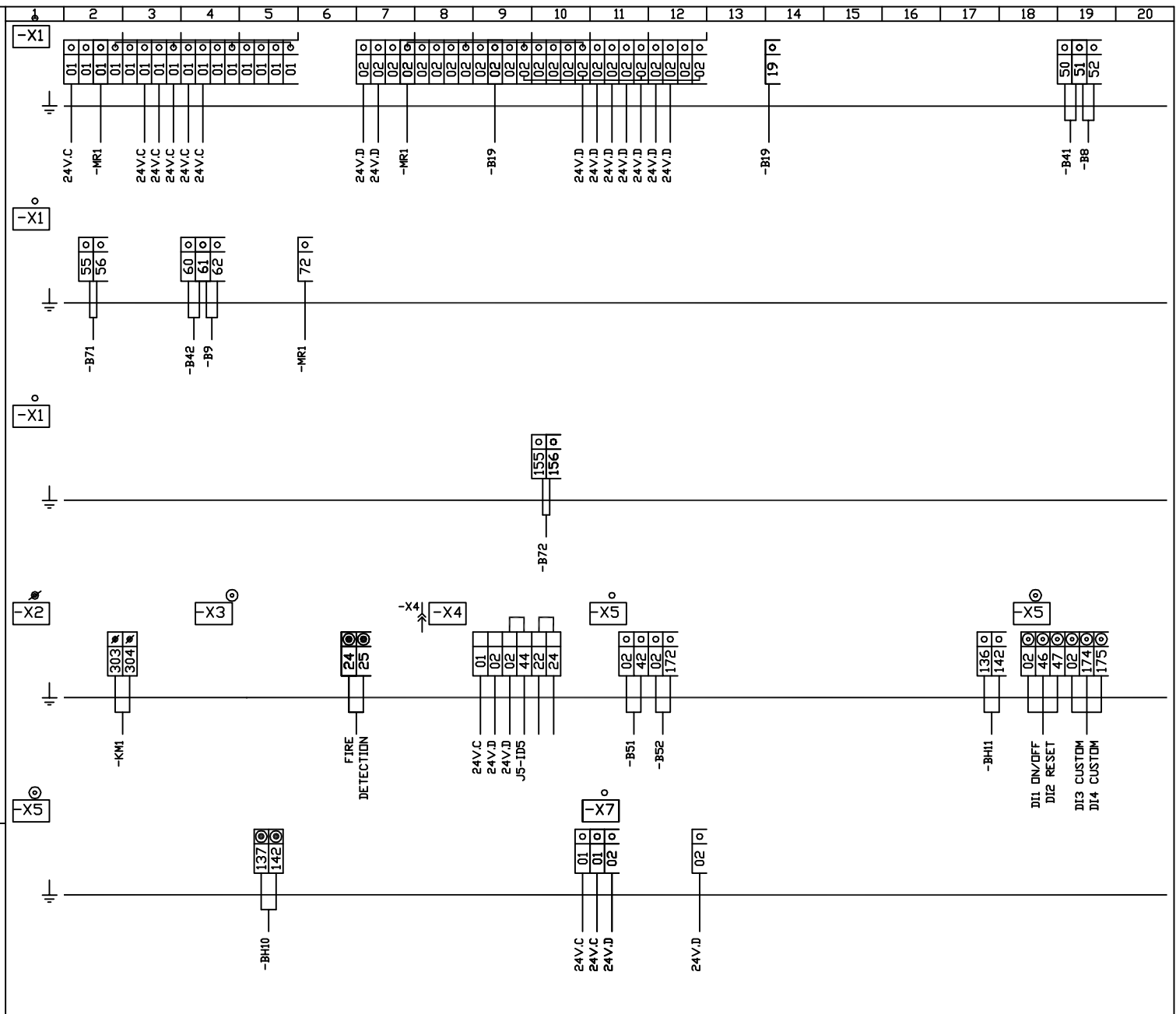


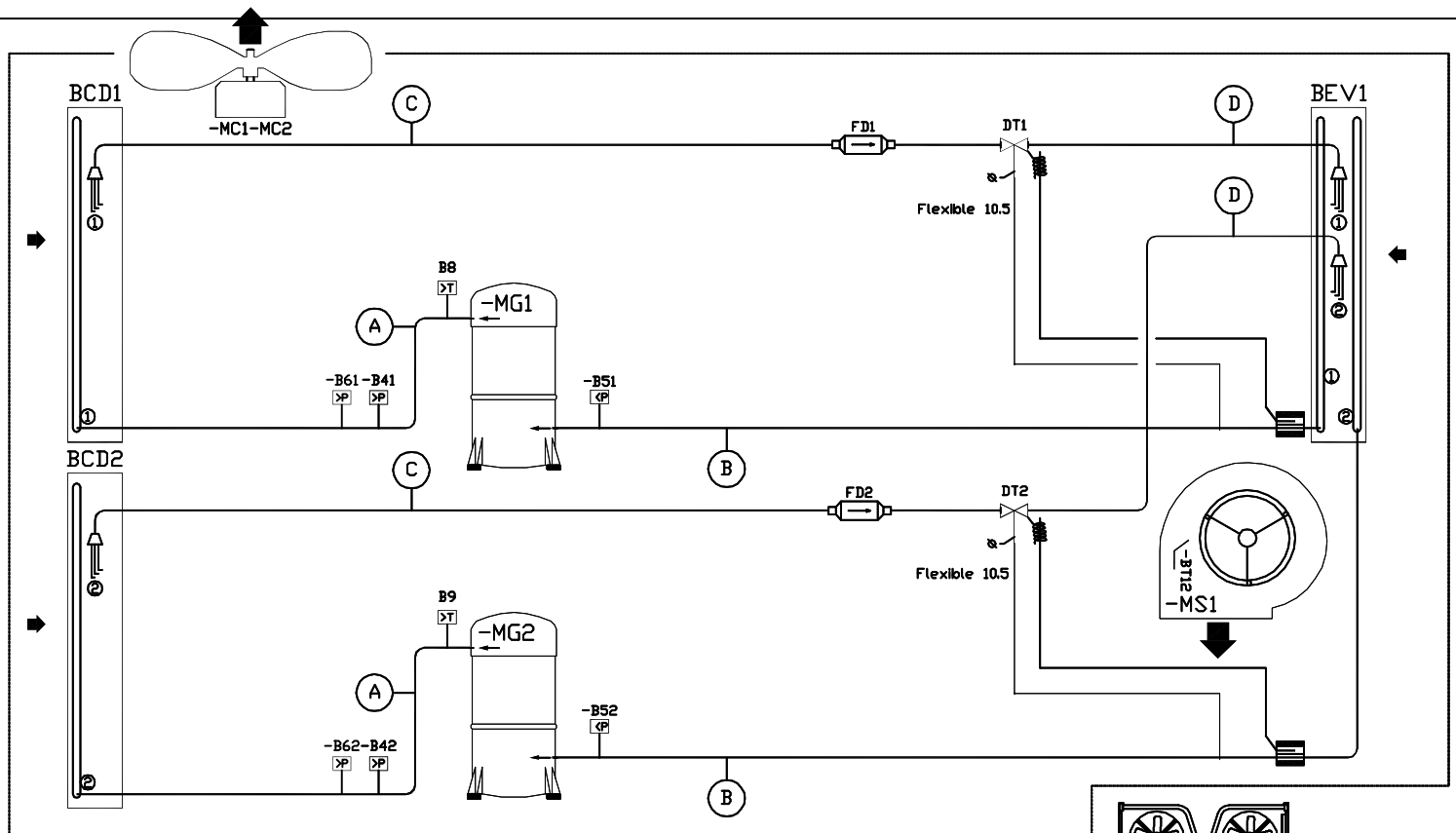
Indice	DATE	NOM	MODIFICATIONS

(1) BCK 050 HD
Kit chauffage
GAS

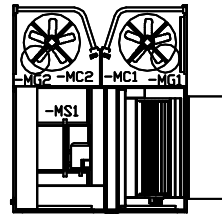
Dessine: CTO
Date: 25.08.04







B0X	30/35	40	-MG1	45	-MG2	50	60	70
D	5/8"	5/8"	5/8"	7/8"	7/8"	7/8"	7/8"	7/8"
C	1/2"	1/2"	1/2"	5/8"	5/8"	5/8"	5/8"	5/8"
B	7/8"	1 1/8"	1 1/8"	1 1/8"	1 1/8"	1 3/8"	1 3/8"	1 3/8"
A	5/8"	7/8"	7/8"	7/8"	7/8"	7/8"	7/8"	7/8"



Indice	DATE	NOM	MODIFICATIONS

(1) BCK 050 HD
 Schéma Frigorifique \ Hydraulique
 Cooling \ Hydraulic Diagram

Dessine: CTO
 Date: 25.08.04



238158 9/11

