
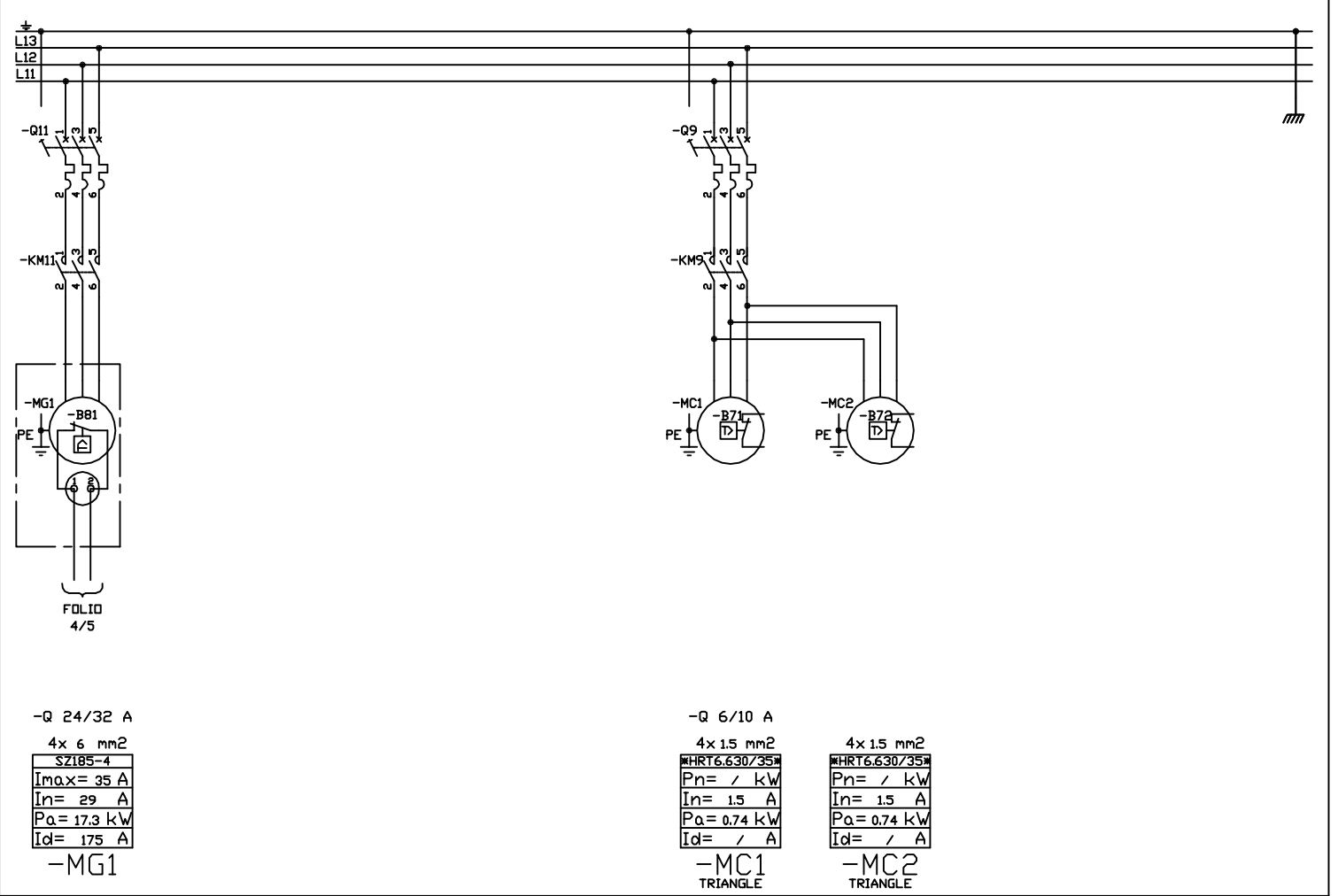
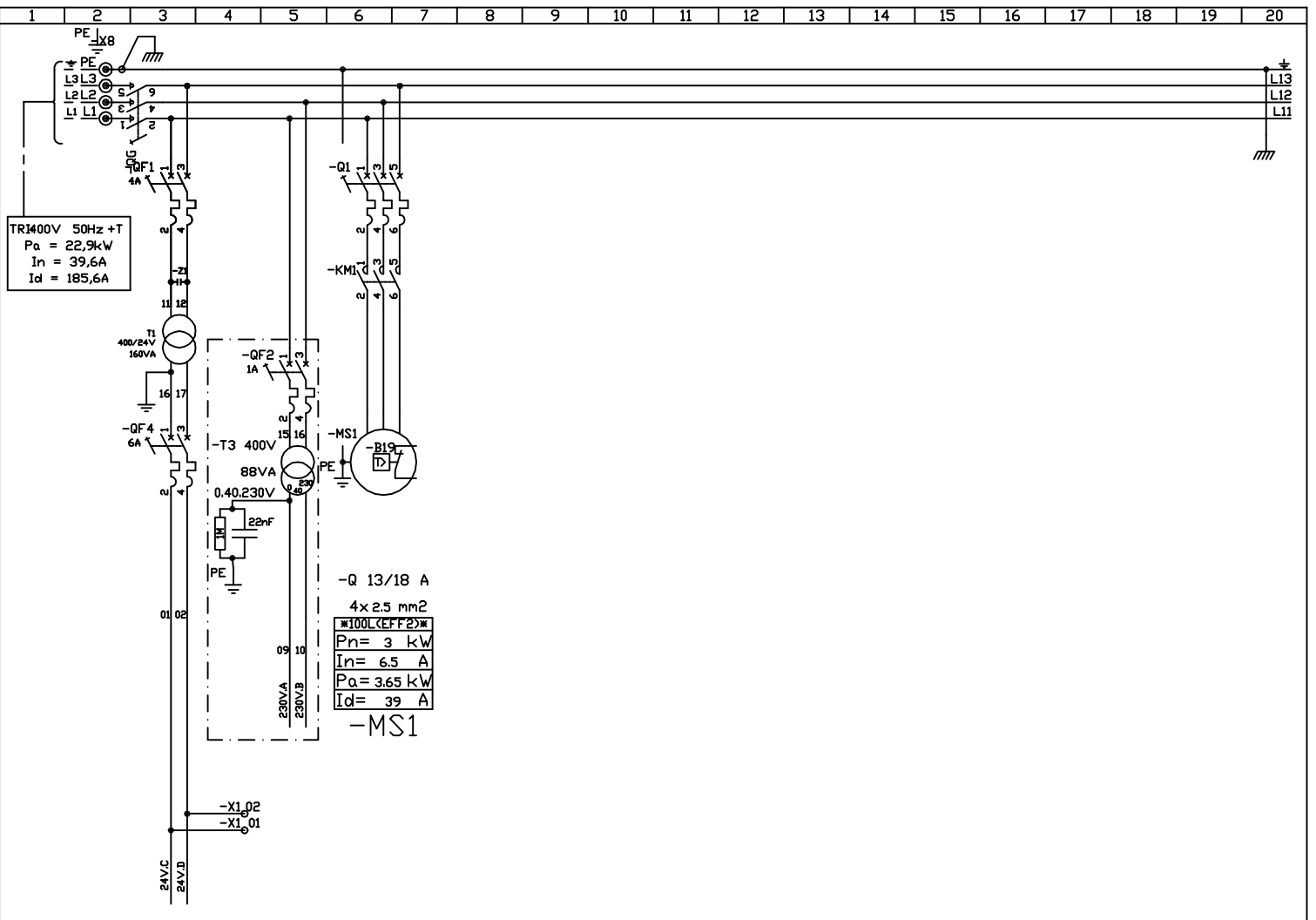
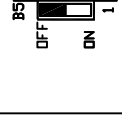
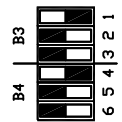
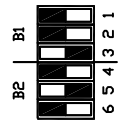
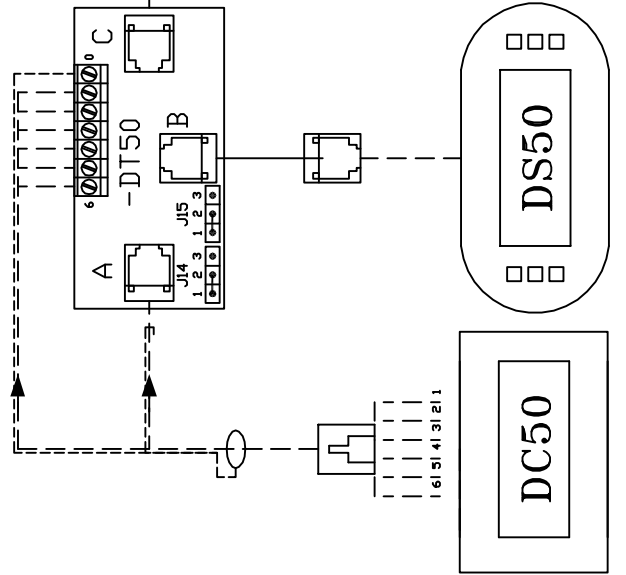
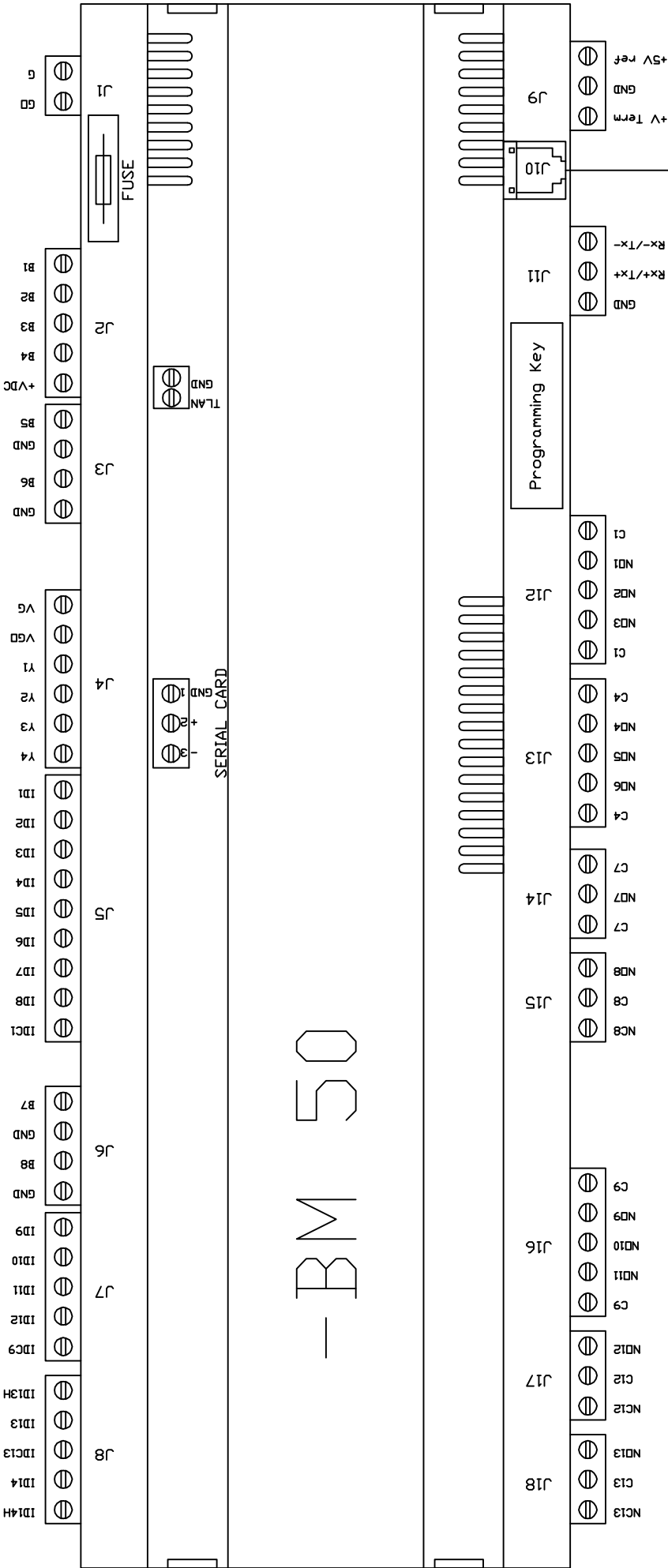


| Indice   | DATE | NOM                            | MODIFICATIONS  |
|--|------|--------------------------------|--|
|  |      |                                |  |
| <i>Yorkshire Bank Newark</i>   |      |                                |  |
| (1) BGK 045 HS<br><b>LENNOX UK</b>   |      | Dessine: CTO<br>Date: 30.03.05 | PAGE DE GARDE<br><div style="border: 1px solid black; padding: 2px;">             241502           </div> <div style="border: 1px solid black; padding: 2px; display: flex; justify-content: space-between;"> <span>0</span> <span>/11</span> </div> |



# - BM 50



| Input  | 1   | 2   | 3   |
|--------|-----|-----|-----|
| 0/1V   | OFF | OFF | OFF |
| NTC    | ON  | OFF | OFF |
| 0/20mA | OFF | ON  | OFF |
| 0/5V   | OFF | OFF | ON  |

| Input | digital input | NTC |
|-------|---------------|-----|
| ON    | OFF           | OFF |

| Input  | 1   | 2   | 3   |
|--------|-----|-----|-----|
| 0/1V   | OFF | OFF | OFF |
| NTC    | ON  | OFF | OFF |
| 0/20mA | OFF | ON  | OFF |
| 0/5V   | OFF | OFF | ON  |

| Input | digital input | NTC |
|-------|---------------|-----|
| ON    | OFF           | OFF |

AVEC TCB SANS CARTE EXTENSION  
WITHOUT EXTENSIONBOARD BE50

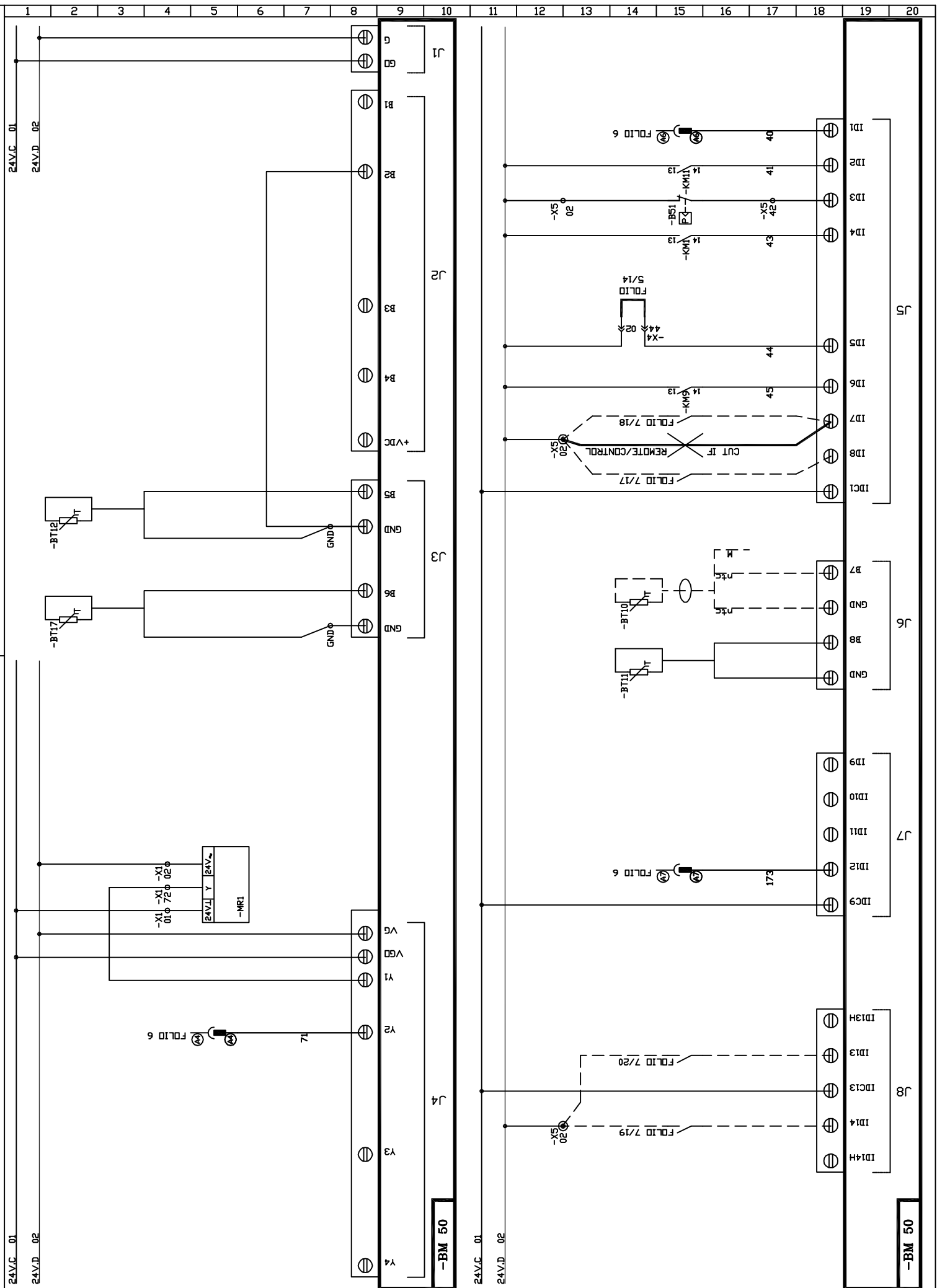
| Indice | DATE | NOM | MODIFICATIONS |
|--------|------|-----|---------------|
|        |      |     |               |

(1) BCK 045 HS  
Automate CLIMATIC 50  
Climatic 50 Controller

Dessine: CTO  
Date: 30.03.05



241502 2/11

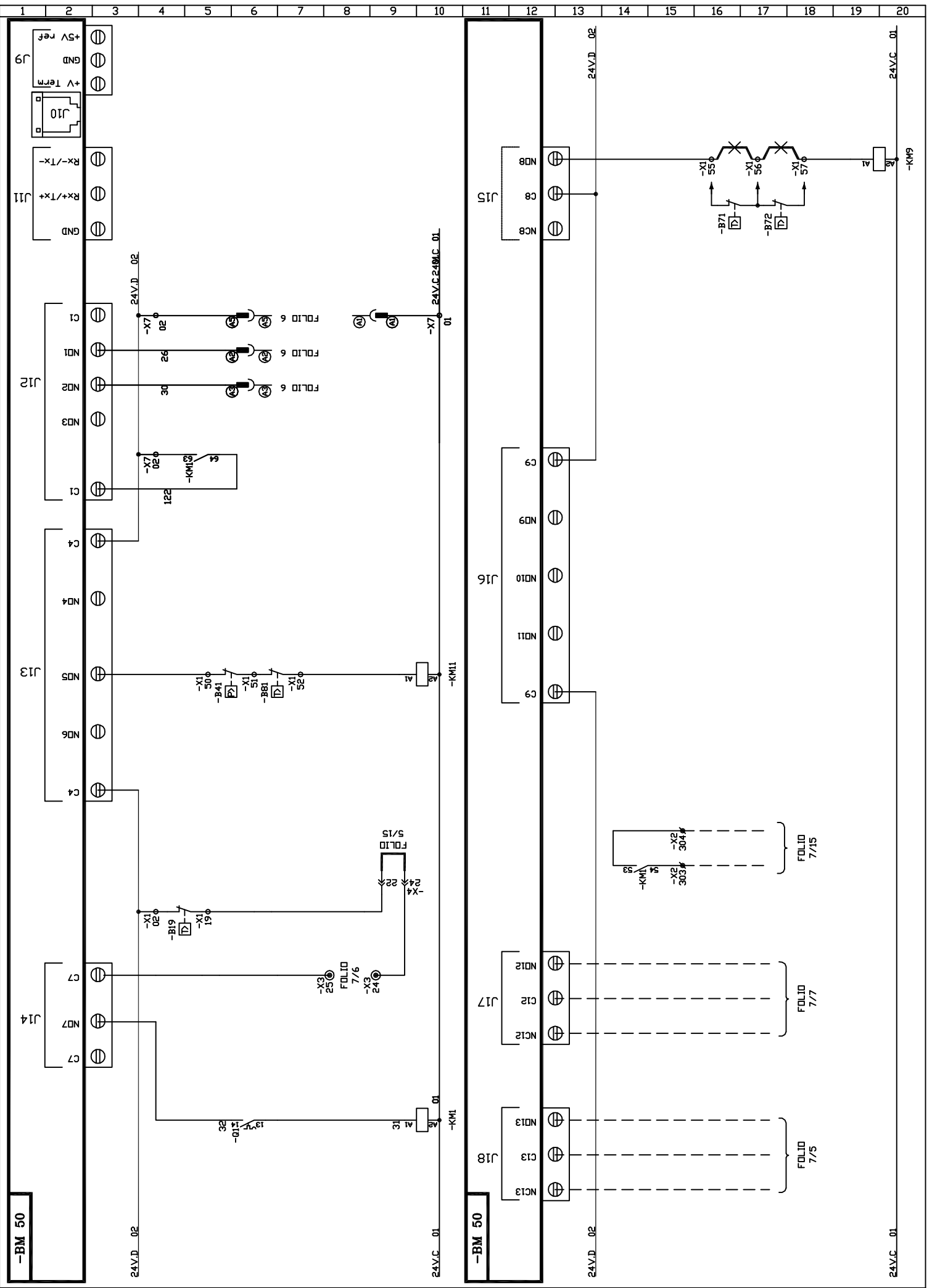


| Indice | DATE | NOM | MODIFICATIONS |
|--------|------|-----|---------------|
|        |      |     |               |

(1) BCK 045 HS  
Entrées Automate CLIMATIC 50  
Climatic 50 Controller Input

Dessine: CTO  
Date: 30.03.05





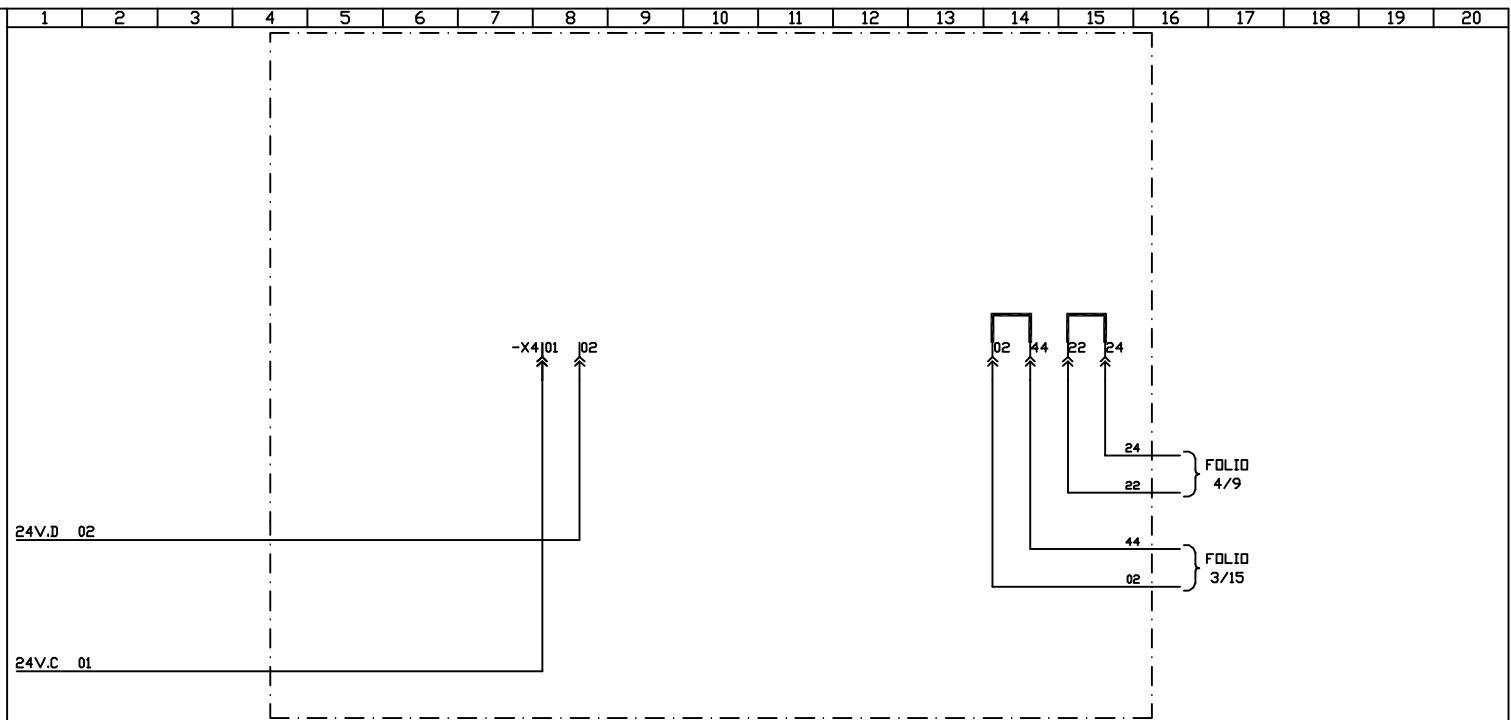
| Indice | DATE | NOM | MODIFICATIONS |
|--------|------|-----|---------------|
|        |      |     |               |

(1) BGM 045 HS  
Sorties Automate CLIMATIC 50  
Climatic 50 Controller Outputs

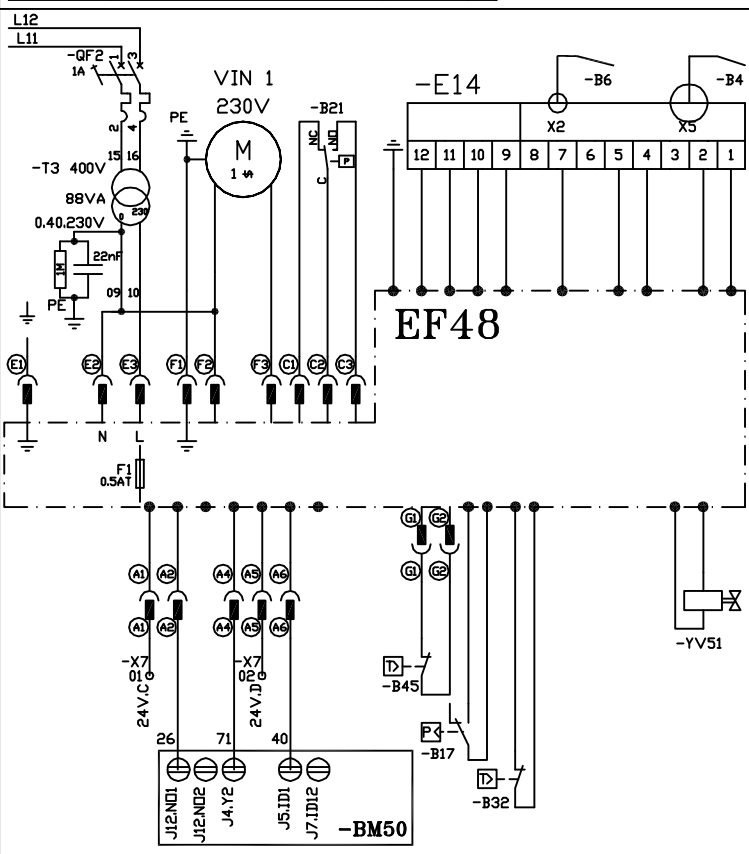
Dessine: CTO  
Date: 30.03.05



241502 4/11



| REPERE | REFERENCE                 | CODE     | Nb |
|--------|---------------------------|----------|----|
| -QF2   | C60N 1A BIPOL COURBE D    | 4480589E | 1  |
| -T3    | 88VA 400V/40V/230V        | 4430131Z | 1  |
| -RC    | CIRCUIT RC 1MEG0HM - 22nF | 4770012Z | 1  |
| -EF48  | -EF48                     | 4770624Z | 1  |

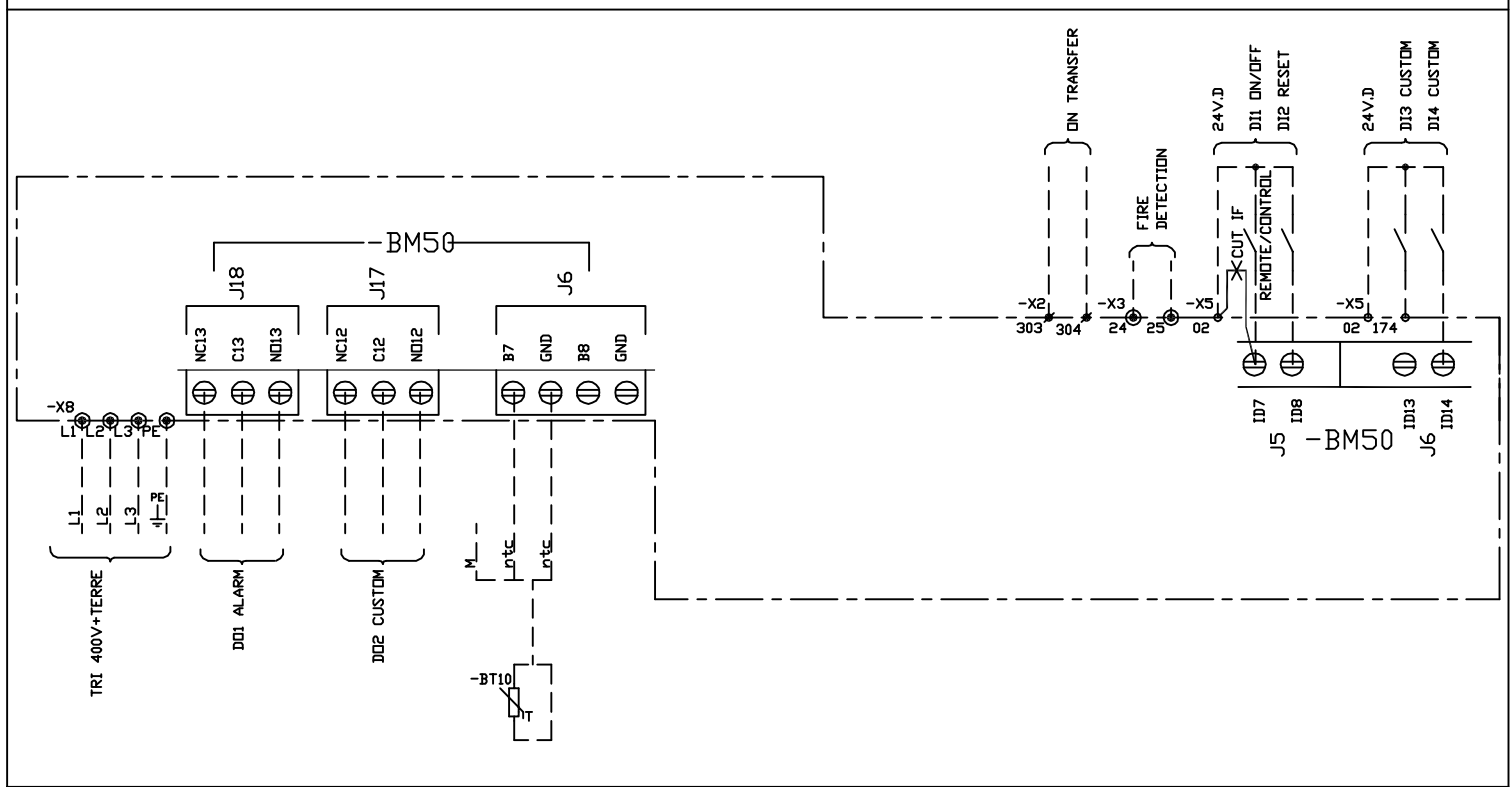
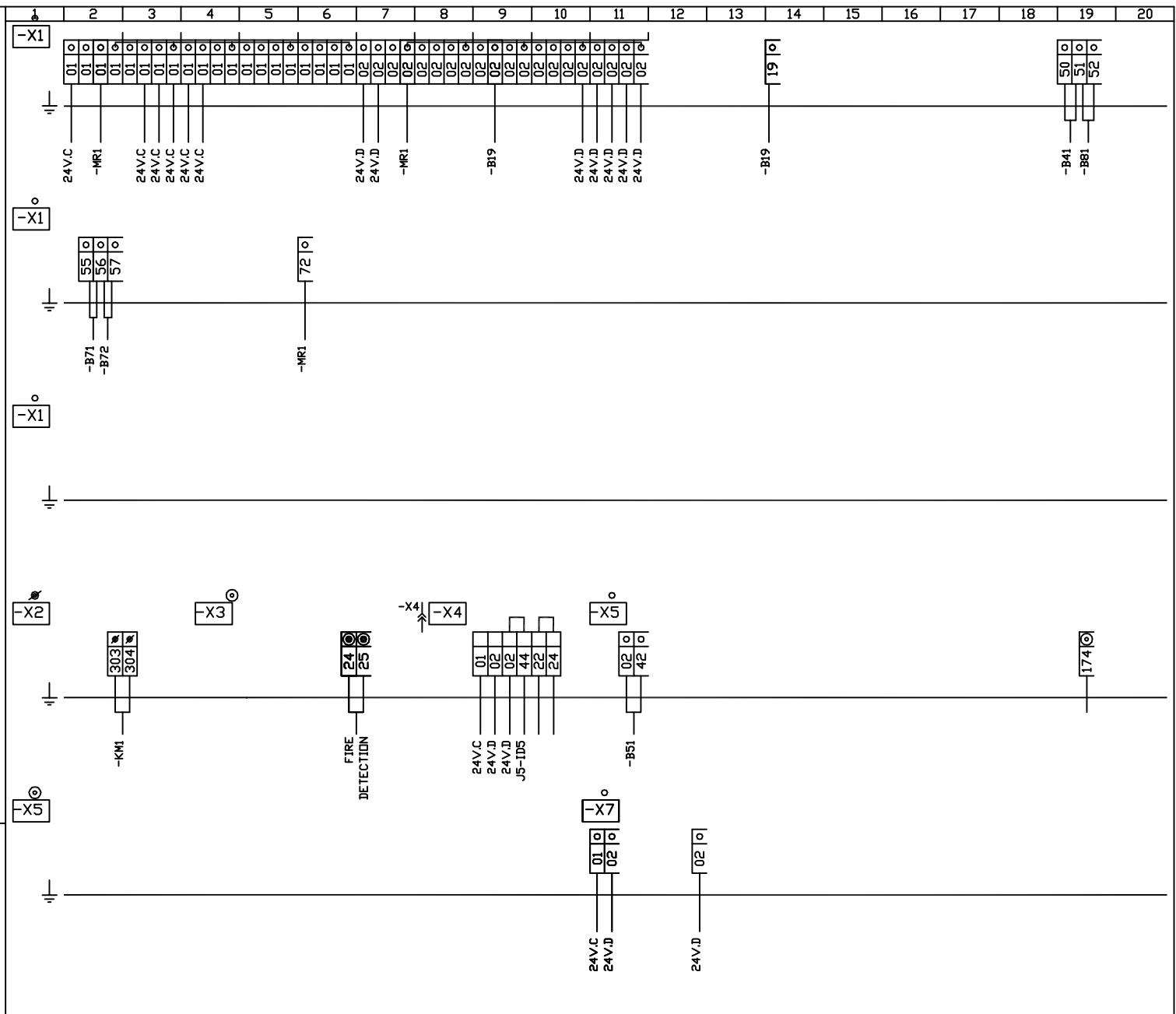


| Indice | DATE | NOM | MODIFICATIONS |
|--------|------|-----|---------------|
|        |      |     |               |

(1) BCK 045 HS  
Kit chauffage  
GAS

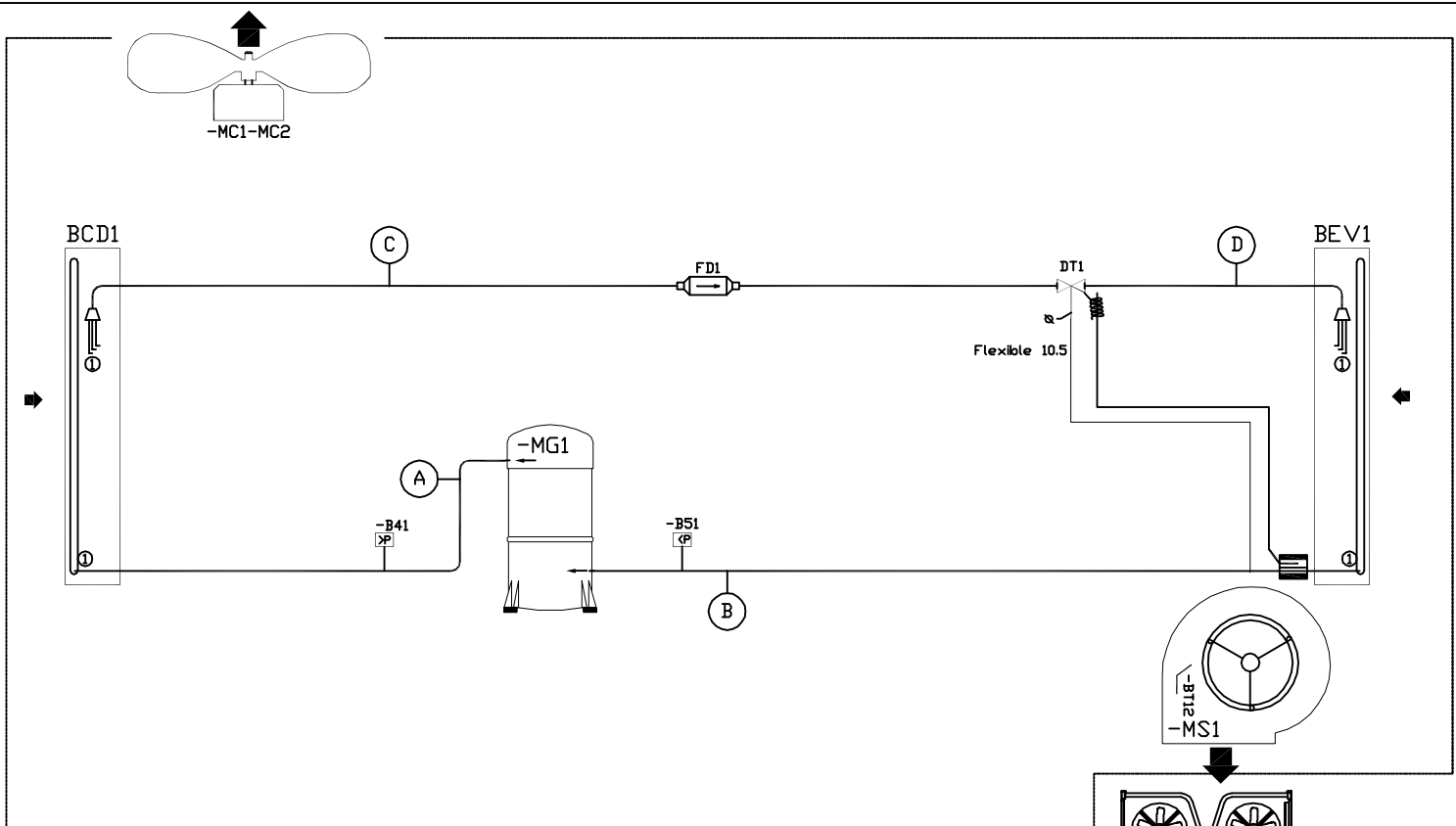
Dessine: CTO  
Date: 30.03.05



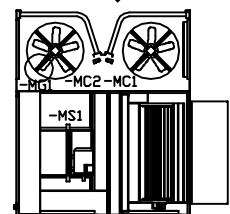








| BOX | 20   | 25     | 30/35 | 40 | -MG1 | 45 | -MG2 | 50 |
|-----|------|--------|-------|----|------|----|------|----|
| D   | 5/8" | 5/8"   |       |    |      |    |      |    |
| C   | 1/2" | 1/2"   |       |    |      |    |      |    |
| B   | 7/8" | 1 1/8" |       |    |      |    |      |    |
| A   | 7/8" | 7/8"   |       |    |      |    |      |    |



| Indice | DATE | NOM | MODIFICATIONS |
|--------|------|-----|---------------|
|        |      |     |               |

(1) BCK 045 HS  
 Schéma Frigorifique \ Hydraulique  
 Cooling \ Hydraulic Diagram

Dessine: CTO  
 Date: 30.03.05



241502 9/11



