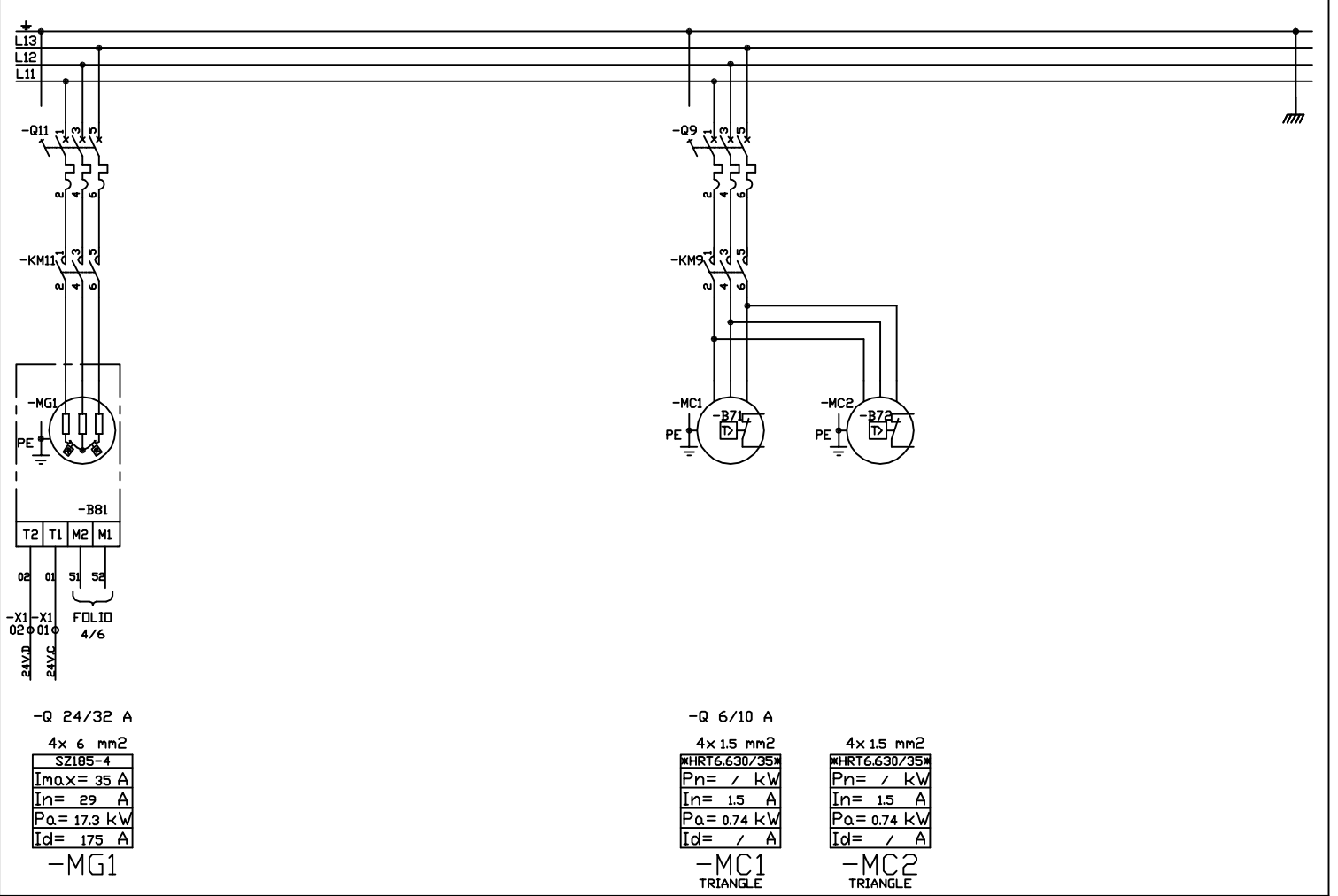
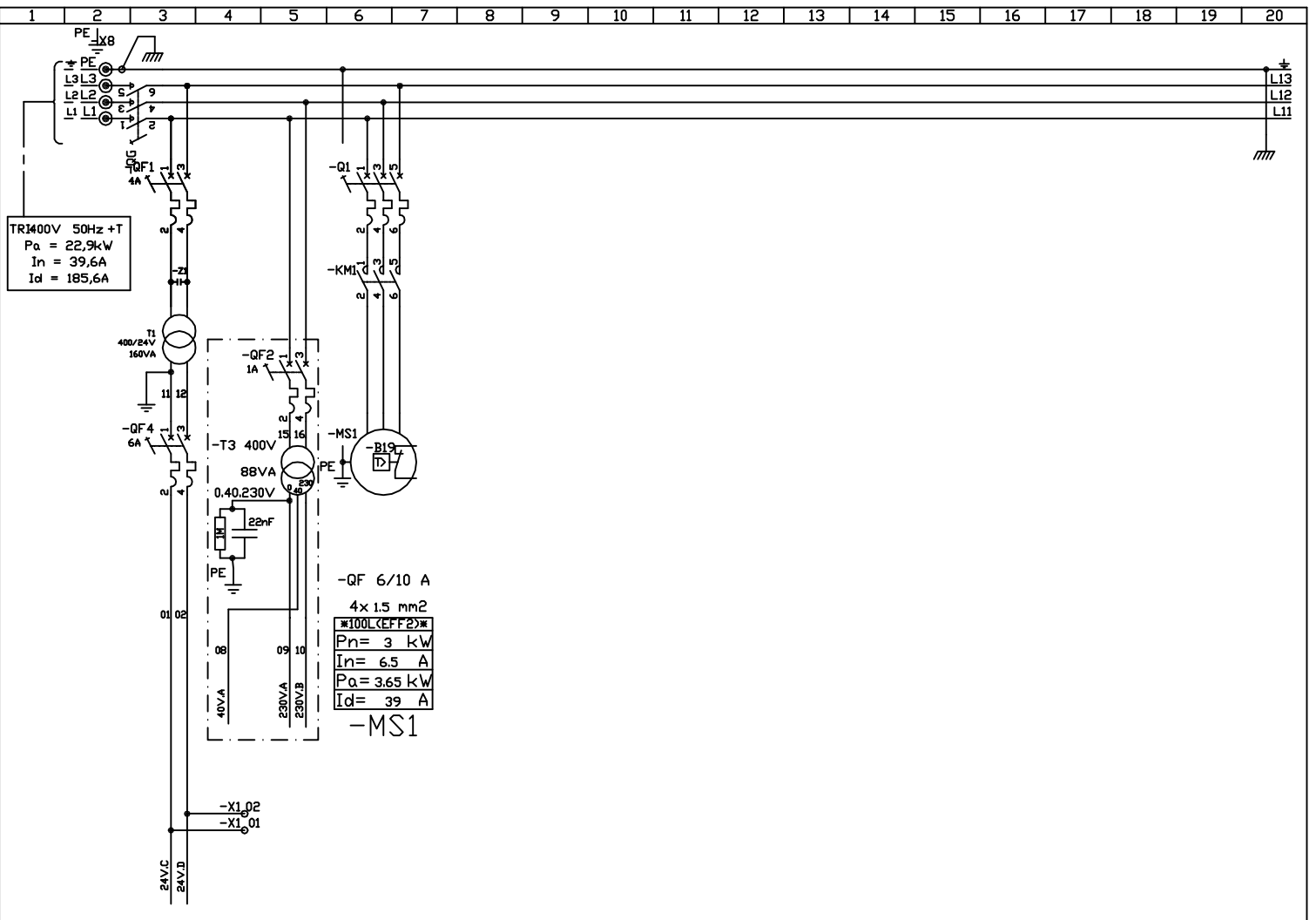
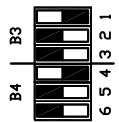
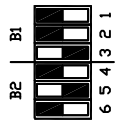
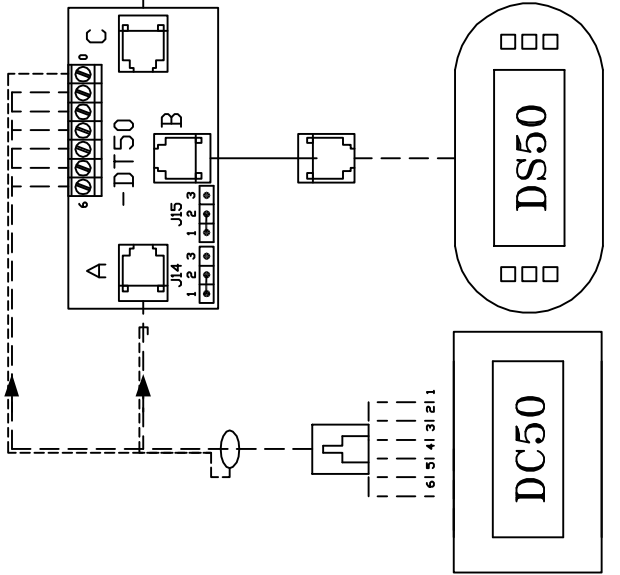
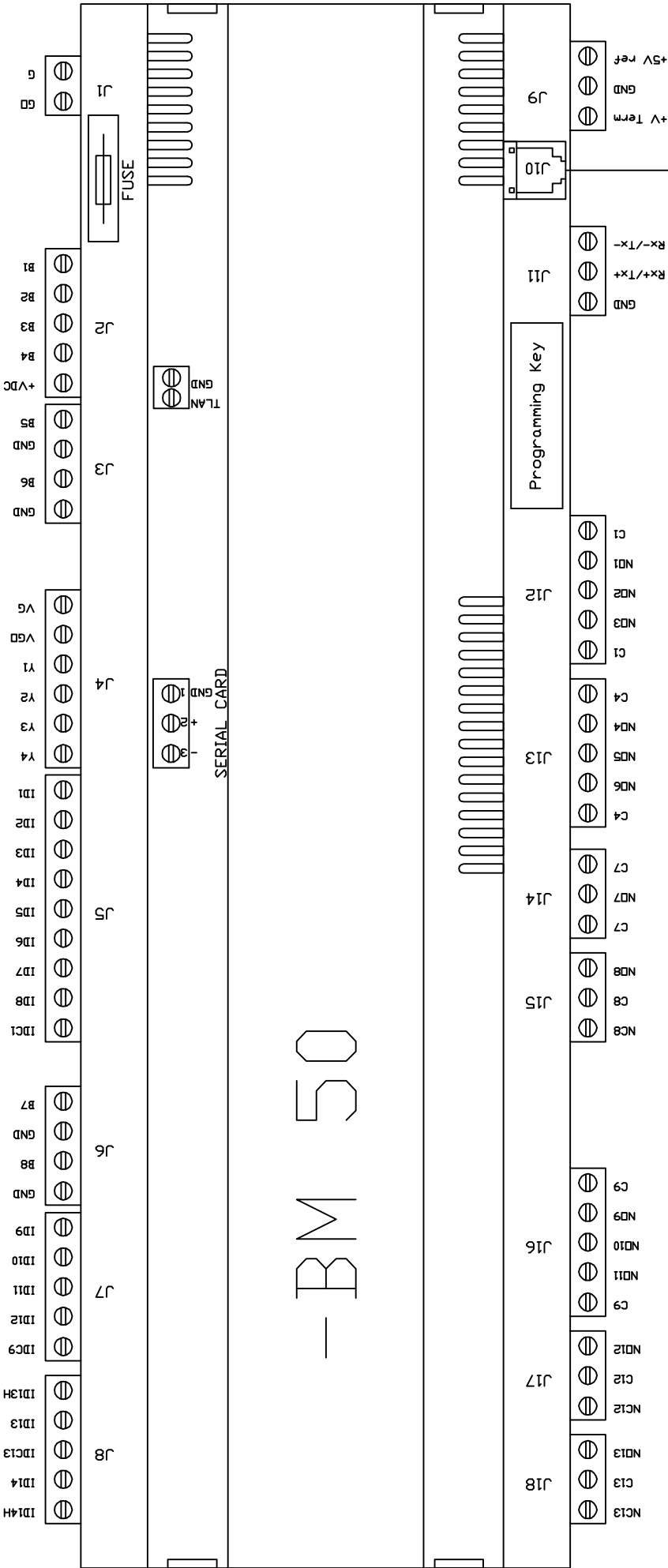


Indice	DATE	NOM	MODIFICATIONS
<b><i>LENNOX</i></b> <sup>®</sup>			
<b>CAVAN / 181</b>			
(1) BGK 045 HS <b>LENNOX UK</b>		Dessine: CTO Date: 13.09.04	PAGE DE GARDE 238400 / 11



# - BM 50



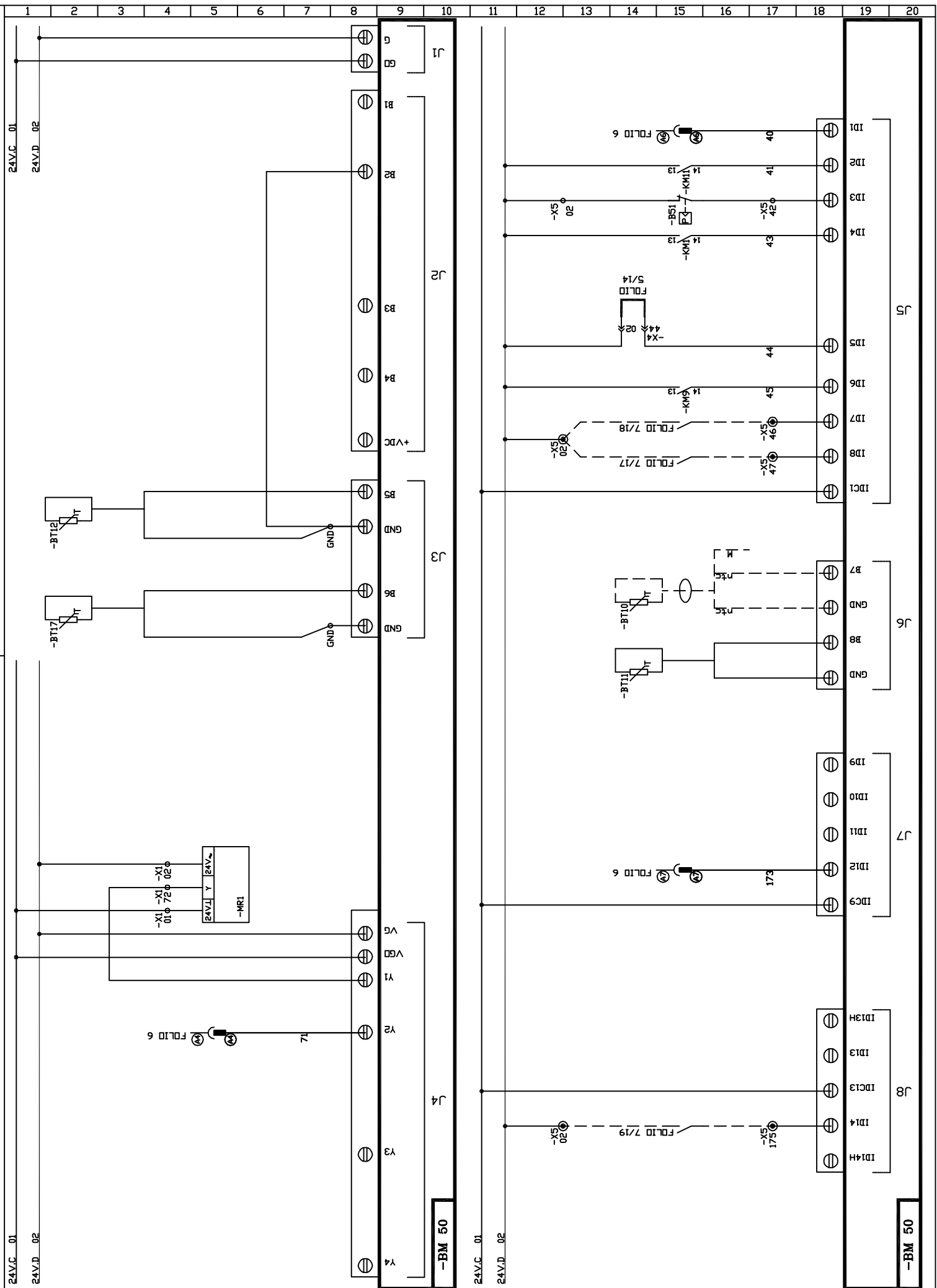
Input	1	2	3
0/1V	OFF	OFF	OFF
NTC	ON	OFF	OFF
0/20mA	OFF	ON	OFF
0/5V	OFF	OFF	ON

Input	digital input	NTC
ON	OFF	OFF

Input	1	2	3
0/1V	OFF	OFF	OFF
NTC	ON	OFF	OFF
0/20mA	OFF	ON	OFF
0/5V	OFF	OFF	ON

Input	digital input	NTC
ON	OFF	OFF

AVEC TCB SANS CARTE EXTENSION  
WITHOUT EXTENSIONBOARD BE50



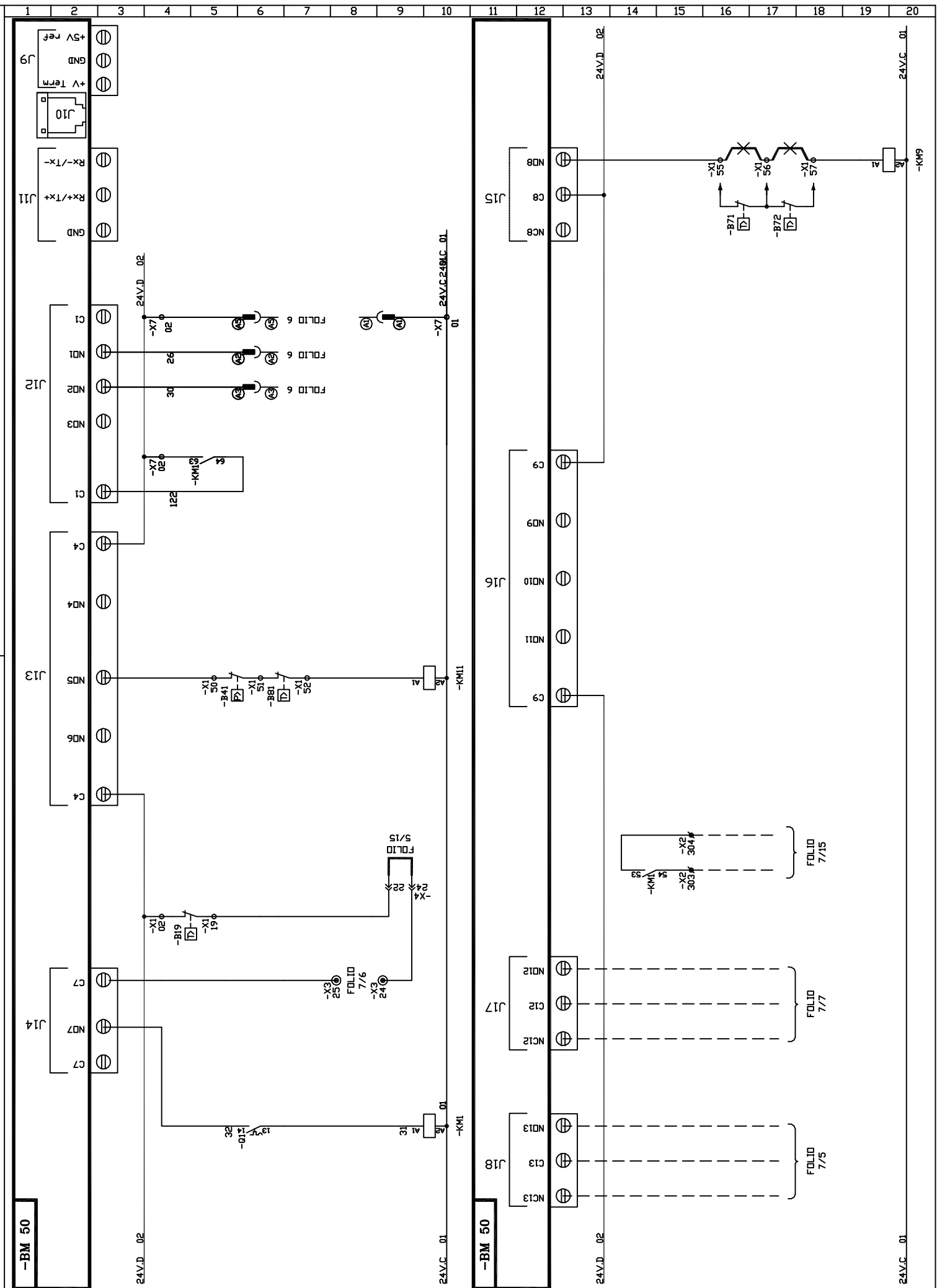
Indice	DATE	NOM	MODIFICATIONS

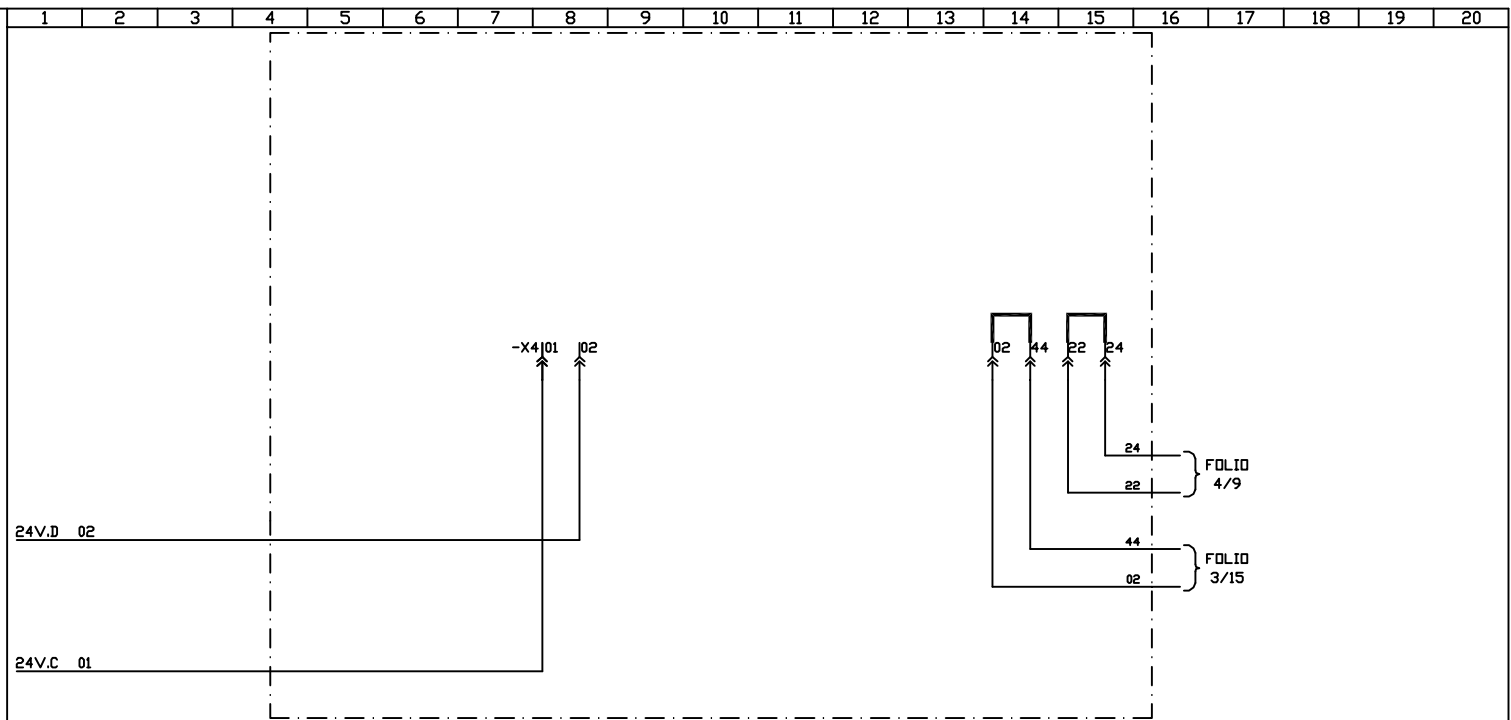
(1) BCK 045 HS  
Entrées Automate CLIMATIC 50  
Climatic 50 Controller Input

Dessine: CTO  
Date: 13.09.04

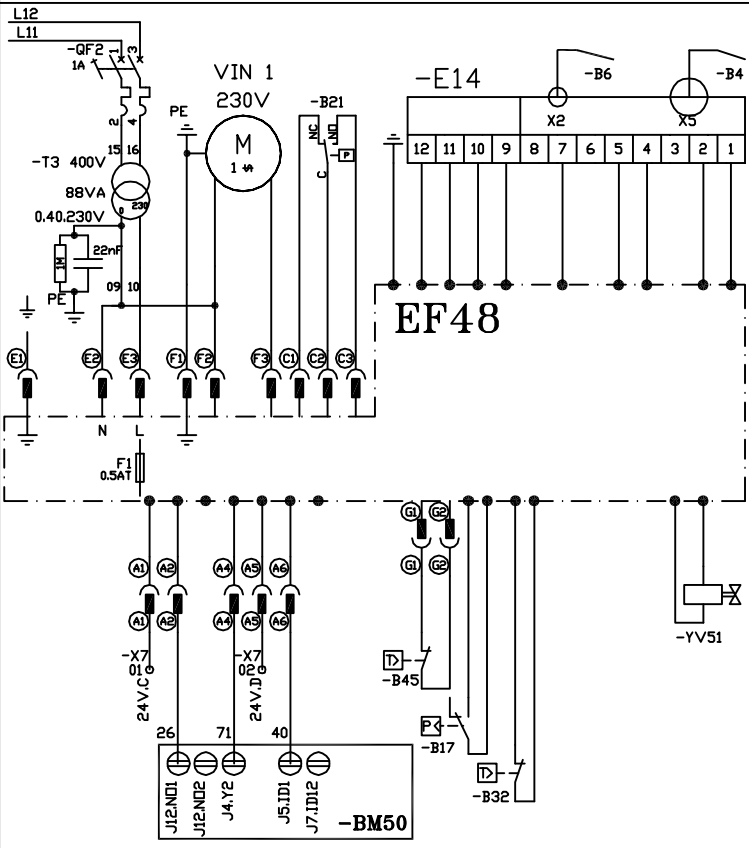


238400 3/11





1	2	3	4	5	6	7	8	9	10	11	12	13	14	15	16	17	18	19	20	
REPERE	REFERENCE	CODE	Nb																	
-QF2	C60N 1A BIPOL COURBE D	4480589E	1																	
-T3	88VA 400V/40V/230V	4430131Z	1																	
-RC	CIRCUIT RC 1MEGOM - 22nF	4770012Z	1																	
-EF48	-EF48	4770624Z	1																	



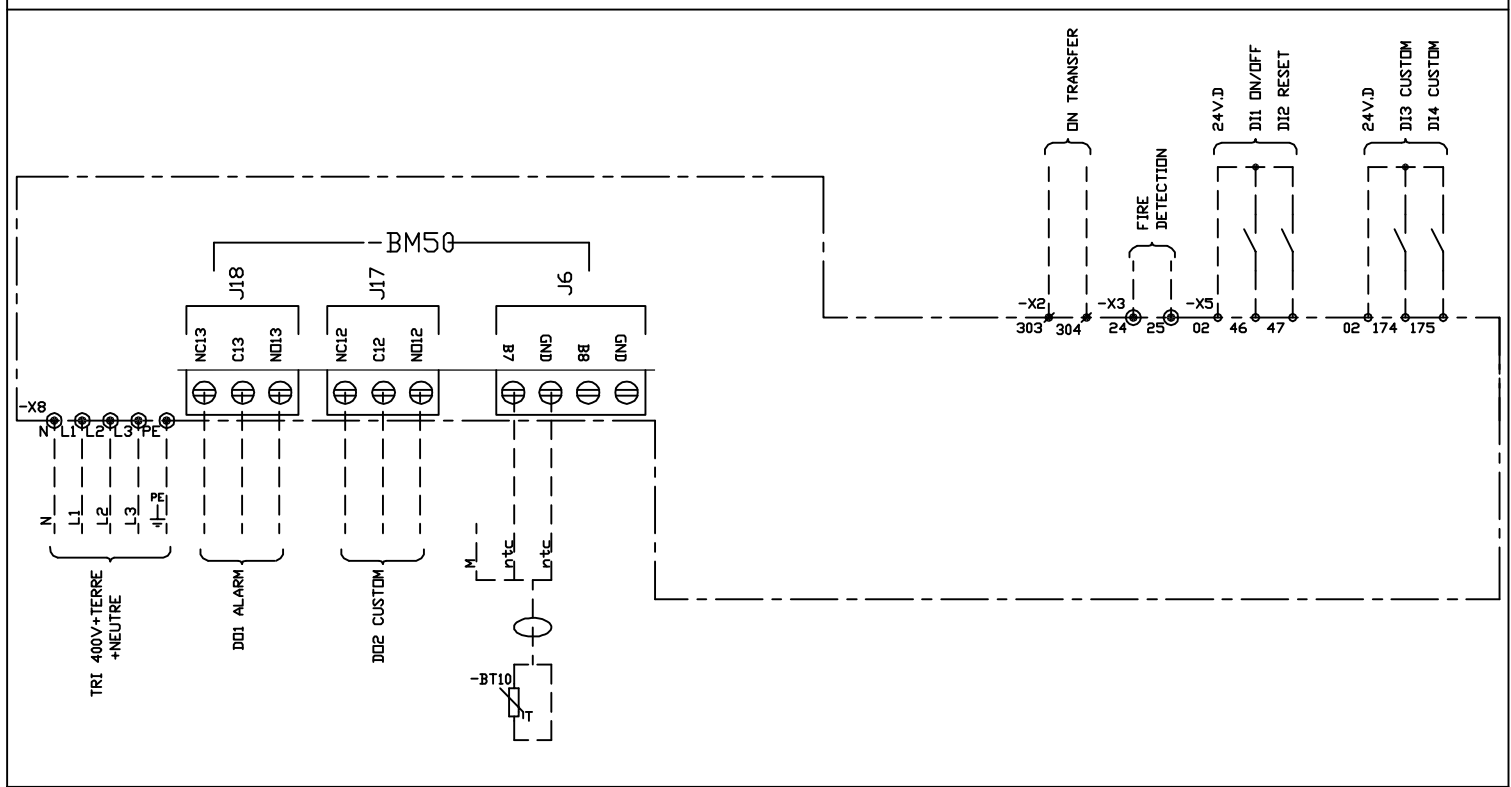
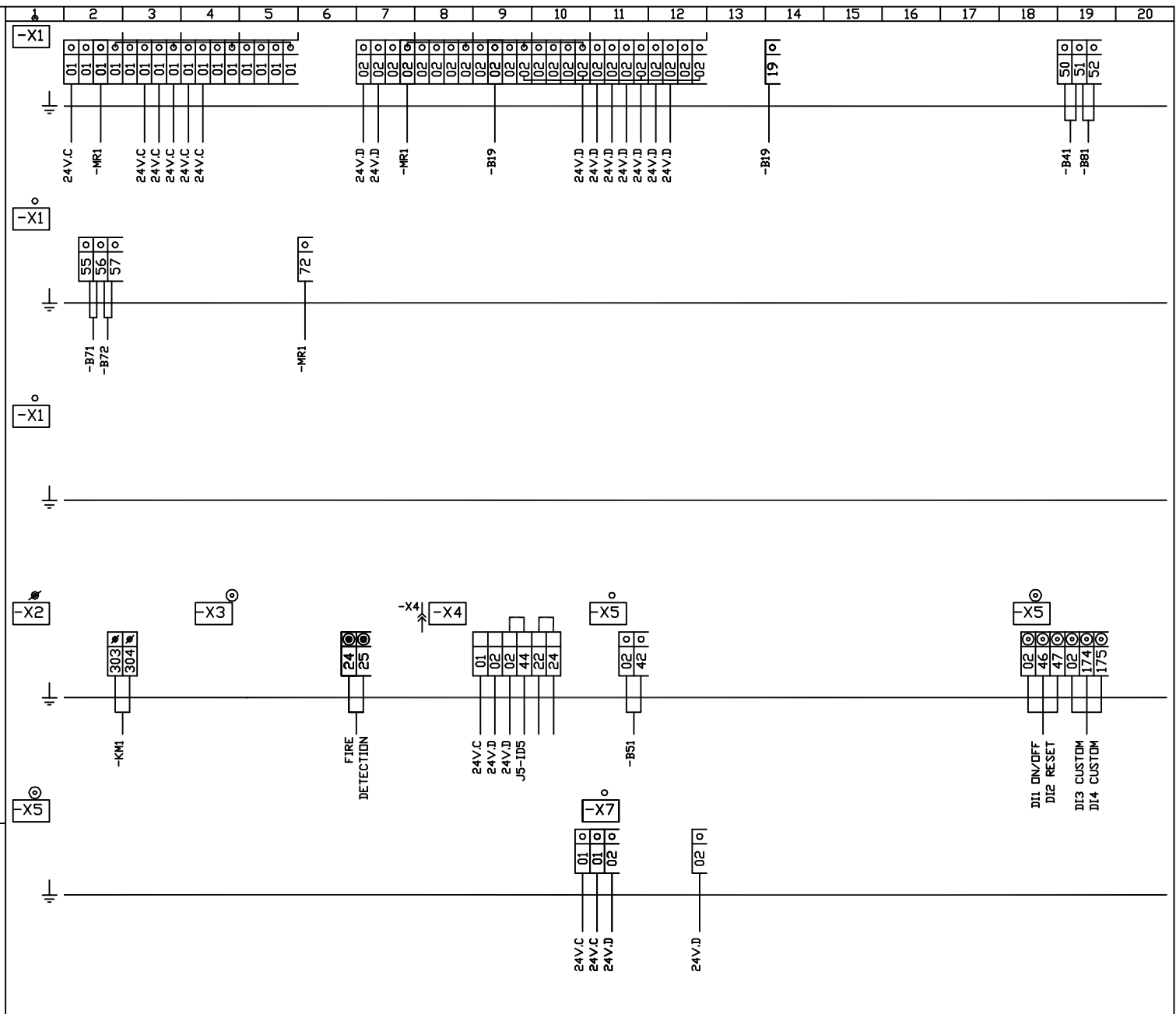
Indice	DATE	NOM	MODIFICATIONS

(1) BCK 045 HS  
Kit chauffage  
GAS

Dessine: CTO  
Date: 13.09.04

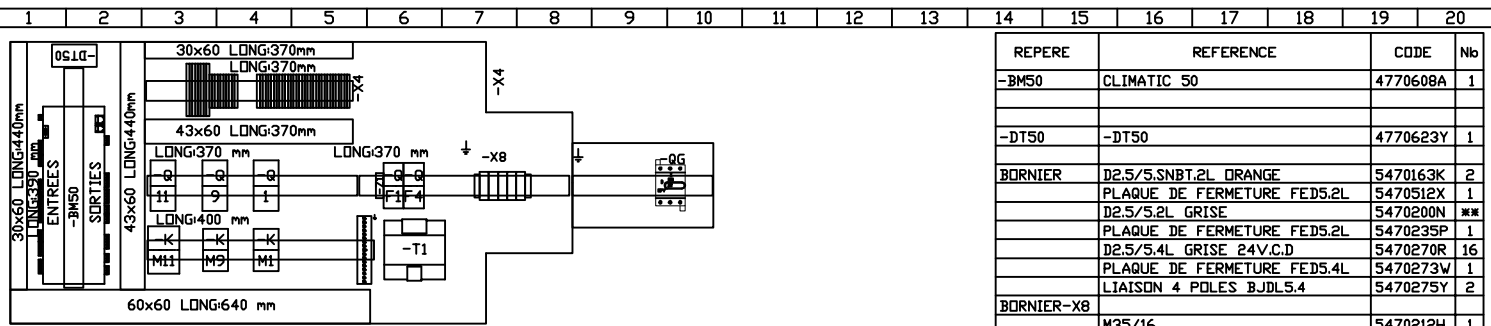


238400 6/11  
USINE DE LONGVIC



Indice	DATE	NOM	MODIFICATIONS	(1) BCK 045 HS Borniers \ Raccordement Client Terminal Strip \ Customer	Dessine: CTO Date: 13.09.04	<b>LENNOX</b> USINE DE LONGVIC	238400	7/11
--------	------	-----	---------------	---	--------------------------------	-----------------------------------	--------	------

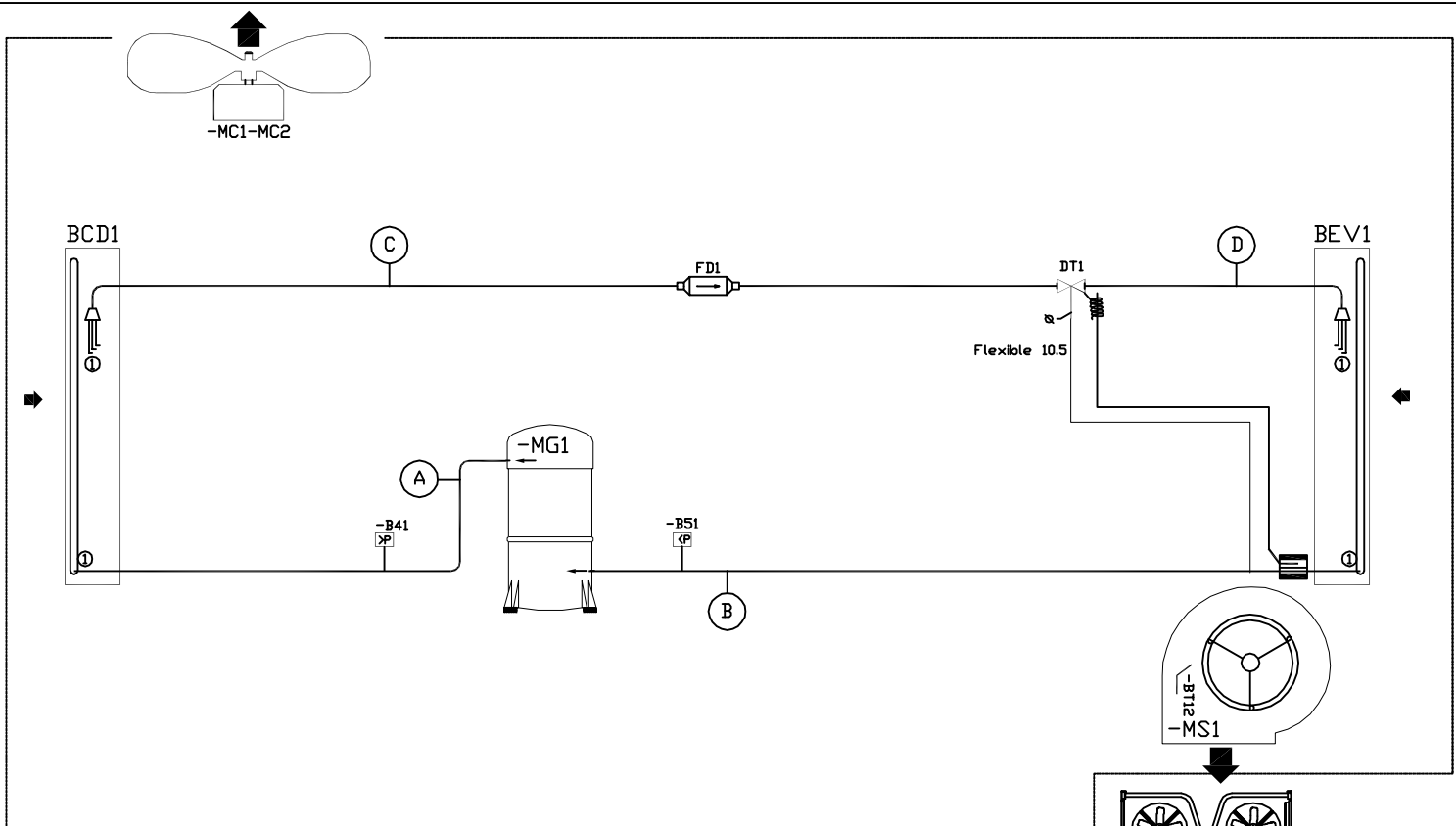




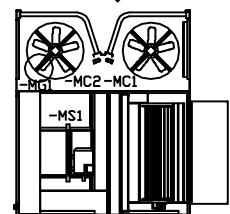
REPERE	REFERENCE	CODE	Nb
-QG	INTER DT 63 E3	4480657E	1
-QG	POIGNEE DE MANOEUVRE DHY2AJ	4480661L	1
-QG	ARBRE DE MANOEUVRE DXS 5x160	4480660J	1
PRDFIL	OMEGA 35x7.5x1.5 LONG:160mm	5740142E	1
BARRETTE	TYPE MG 14979	5470186T	1
-QF1	C60N 24583 4A BIPOL COURBE D	4480591H	1
-QF4	C60N 24584 6A BIPOL COURBE D	4480592J	1
-T1	160VA PRIMAIRE 400V /24V	4430121L	1
-Z1	LRC V2-0.22-220/400V	4770010X	1

REPERE	REFERENCE	CODE	Nb
-Q1	GV2 M14 6/10A	4410848T	1
-Q1	GV2 AE 11	4410853Z	1
-KM1	LC1 D09 B7	4410650A	1
-KM1	LA DN40	5410087M	1

REPERE	REFERENCE	CODE	Nb
-BM50	CLIMATIC 50	4770608A	1
-DT50	-DT50	4770623Y	1
BORNIER	D2.5/5.SNBT.2L ORANGE	5470163K	2
	PLAQUE DE FERMETURE FED5.2L	5470512X	1
	D2.5/5.2L GRISE	5470200N	1
	PLAQUE DE FERMETURE FED5.2L	5470235P	1
	D2.5/5.4L GRISE 24V.C.D	5470270R	16
	PLAQUE DE FERMETURE FED5.4L	5470273V	1
	LIAISON 4 POLES BJDLS.4	5470275Y	2
BORNIER-X8			
	M35/16	5470121H	1
	M35/16	5470204V	3
	PLAQUE DE FERMETURE	5470237T	1
BUTEE	103 002 26	5470240X	2
-Q11	GV2 M32 24/32 A	4410860L	1
-KM1	LC1 D25 B7	4410653H	1
-Q9	GV2 M14 6/10A	4410848T	1
-KM9	LC1 D09 B7	4410650A	1



BOX	20	25	30/35	40	-MG1	45	-MG2	50
D	5/8"	5/8"						
C	1/2"	1/2"						
B	7/8"	1 1/8"						
A	7/8"	7/8"						



Indice	DATE	NOM	MODIFICATIONS

(1) BCK 045 HS  
 Schéma Frigorifique \ Hydraulique  
 Cooling \ Hydraulic Diagram

Dessine: CTO  
 Date: 13.09.04

**LENNOX**  
 USINE DE LONGVIC

238400 9/11



