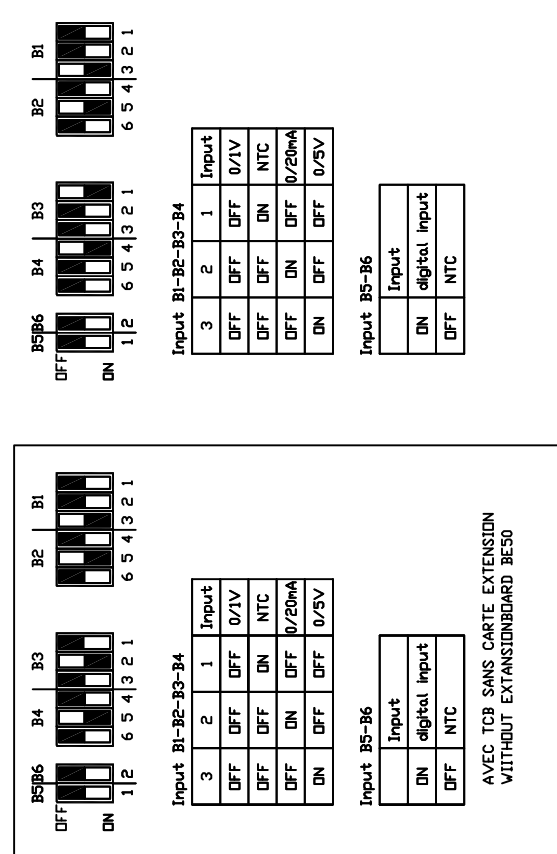
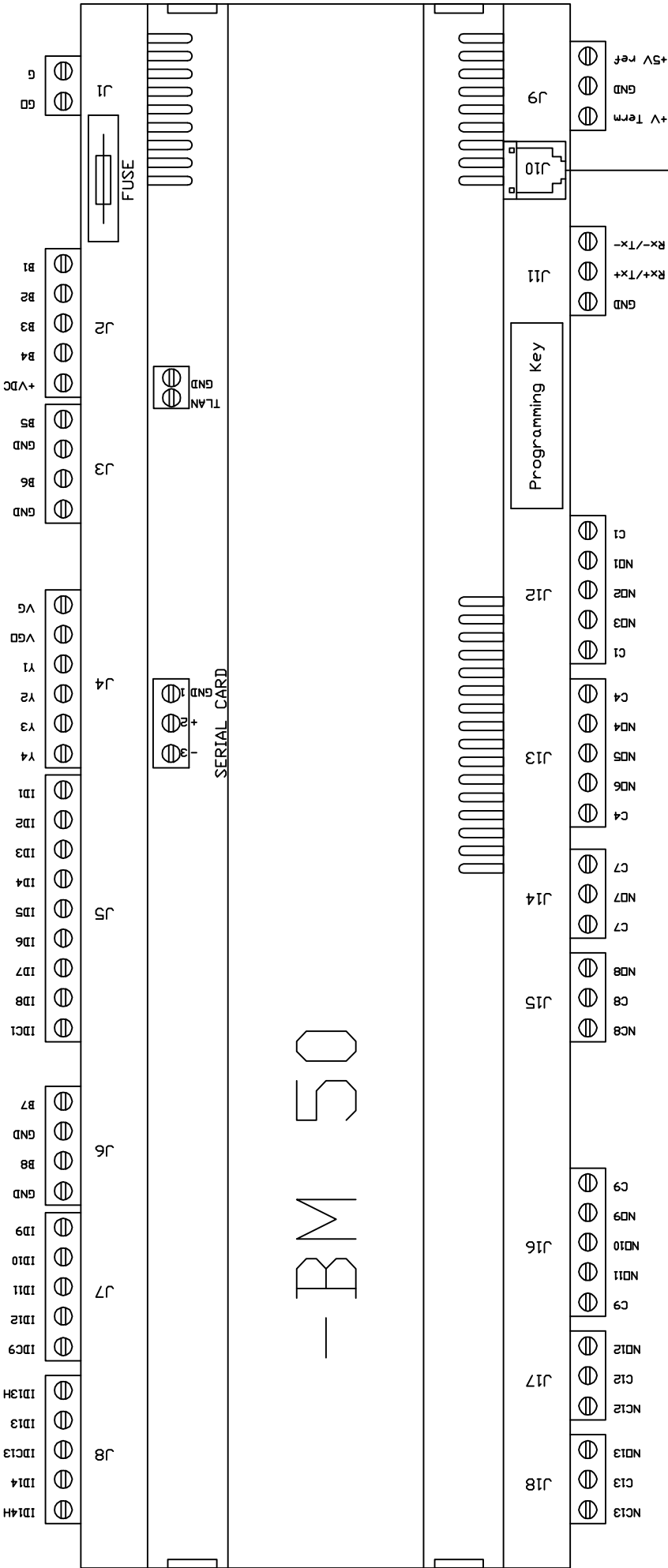
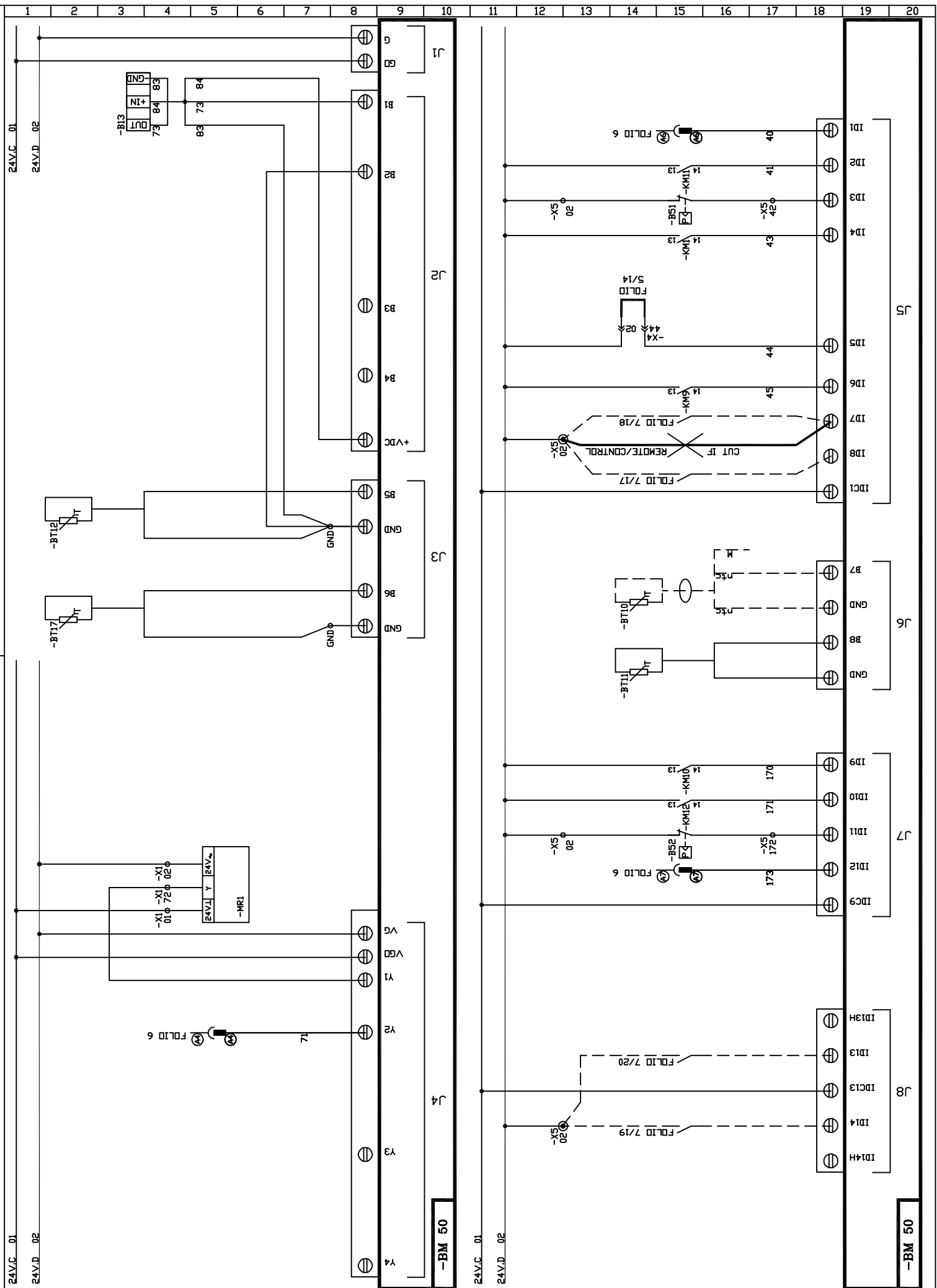
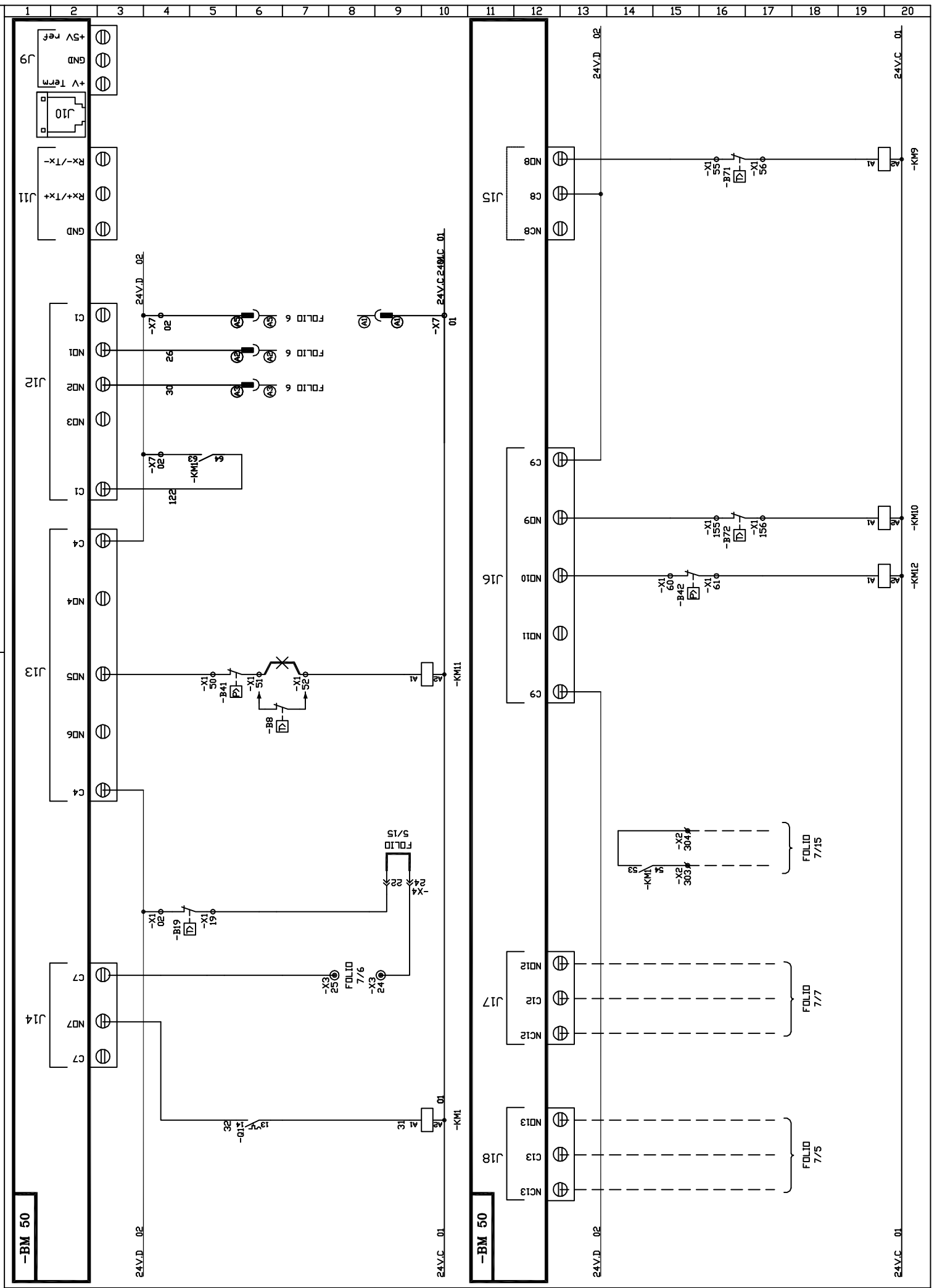


- BM 50

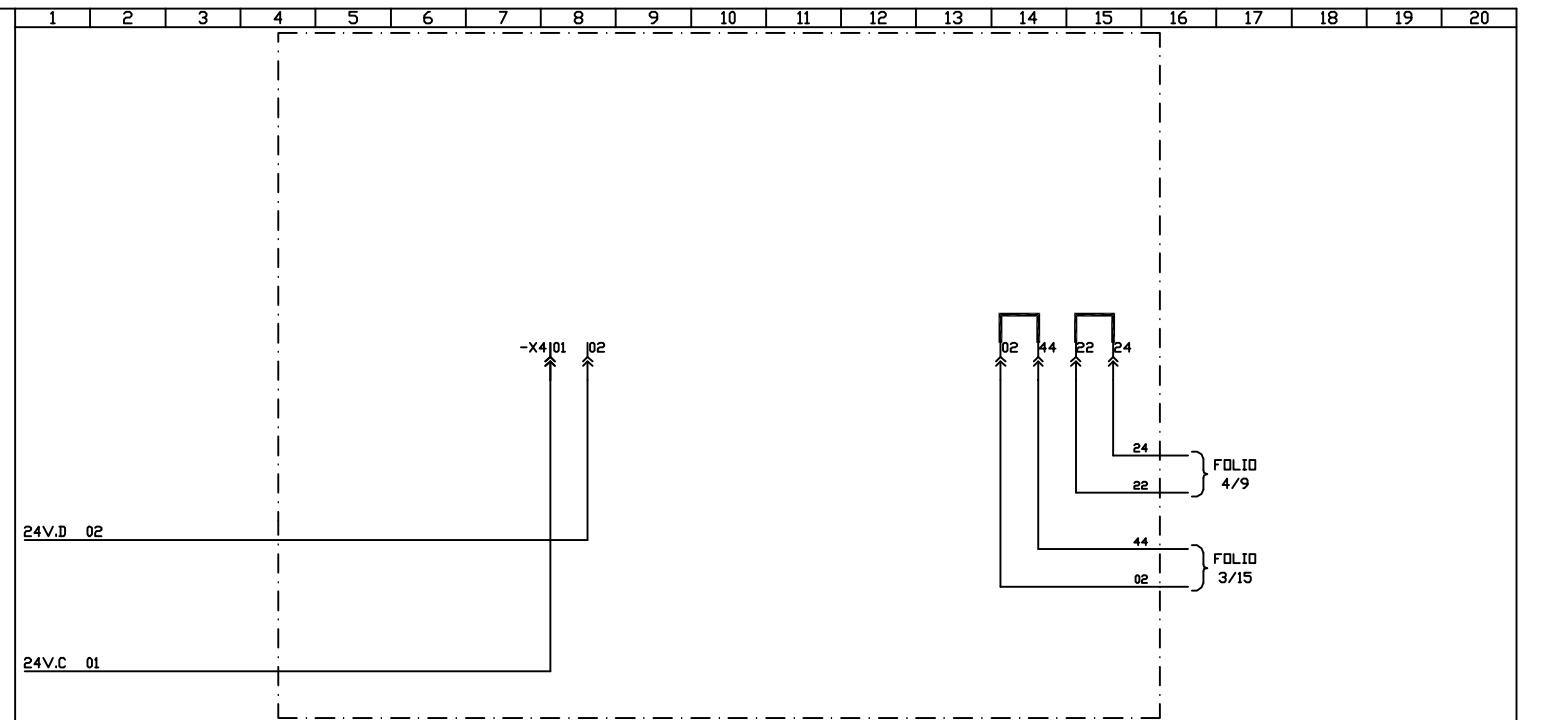




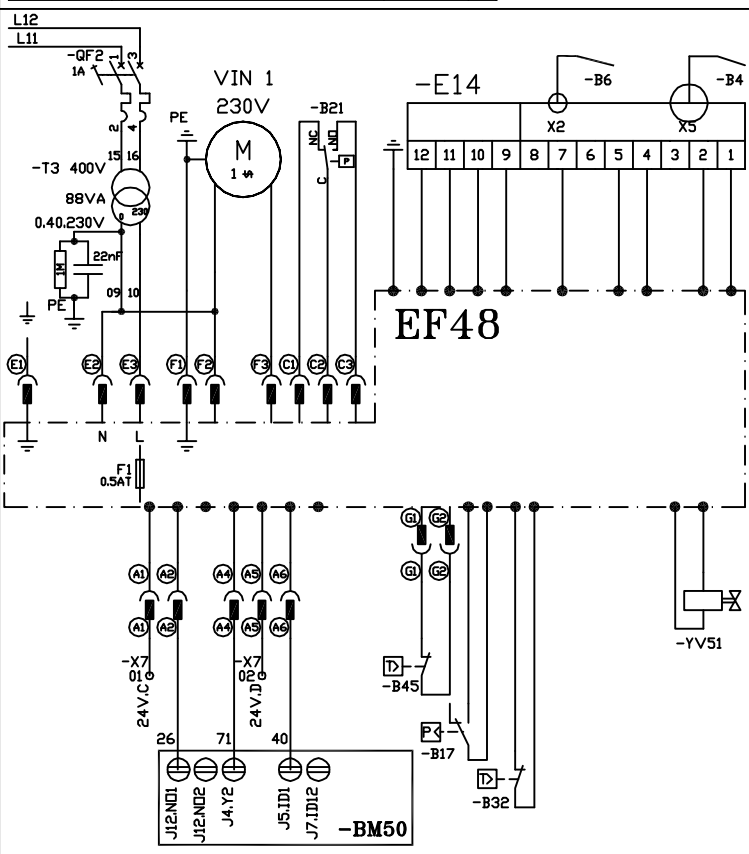


(1) BCK 045 HD
 Sorties Automate CLIMATIC 50
 Climatic 50 Controller Outputs

Indice	DATE	NOM	MODIFICATIONS



REPERE	REFERENCE	CODE	Nb
-QF2	C60N 1A BIPOL COURBE D	4480589E	1
-T3	88VA 400V/40V/230V	4430131Z	1
-RC	CIRCUIT RC 1MEG0HM - 22nF	4770012Z	1
-EF48	-EF48	4770624Z	1

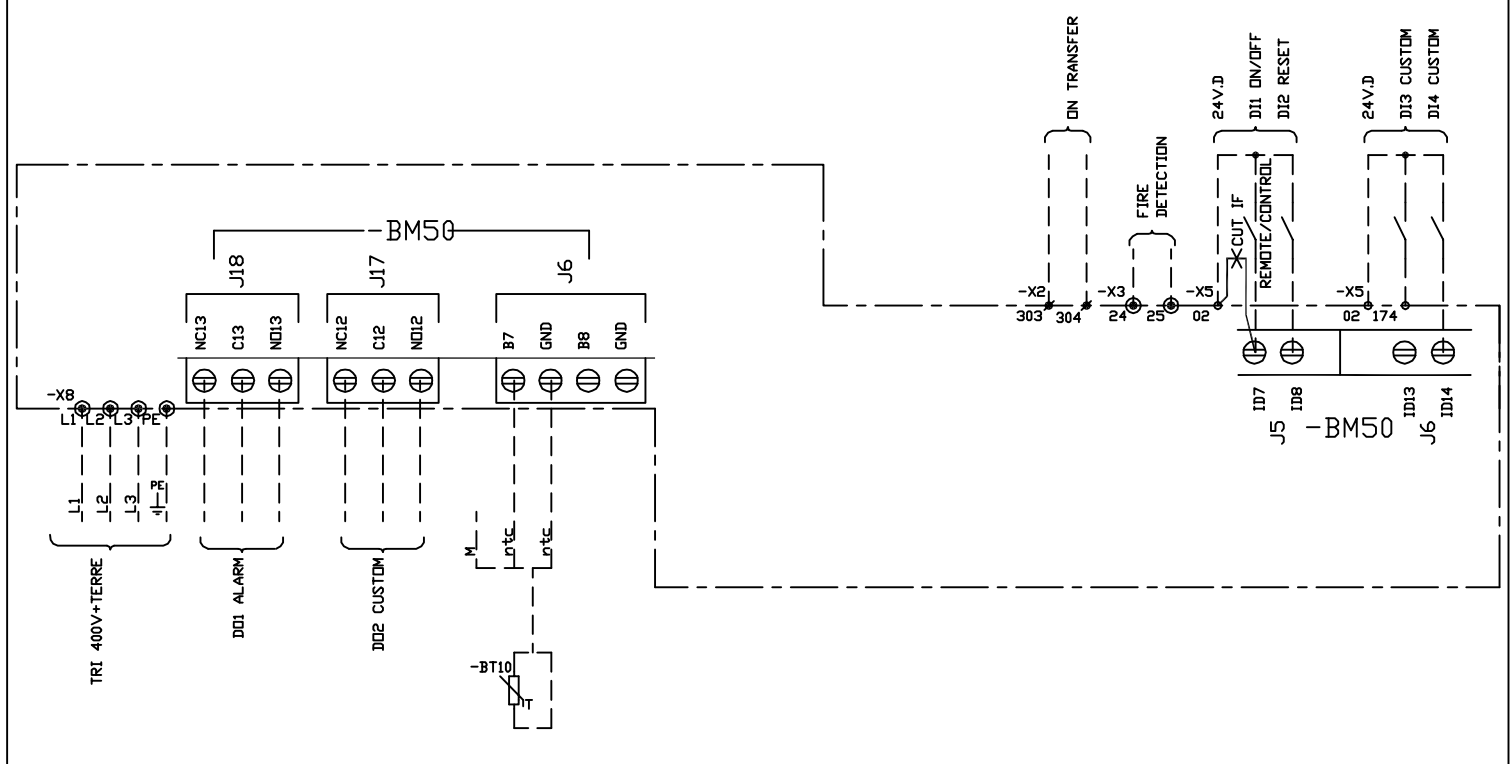
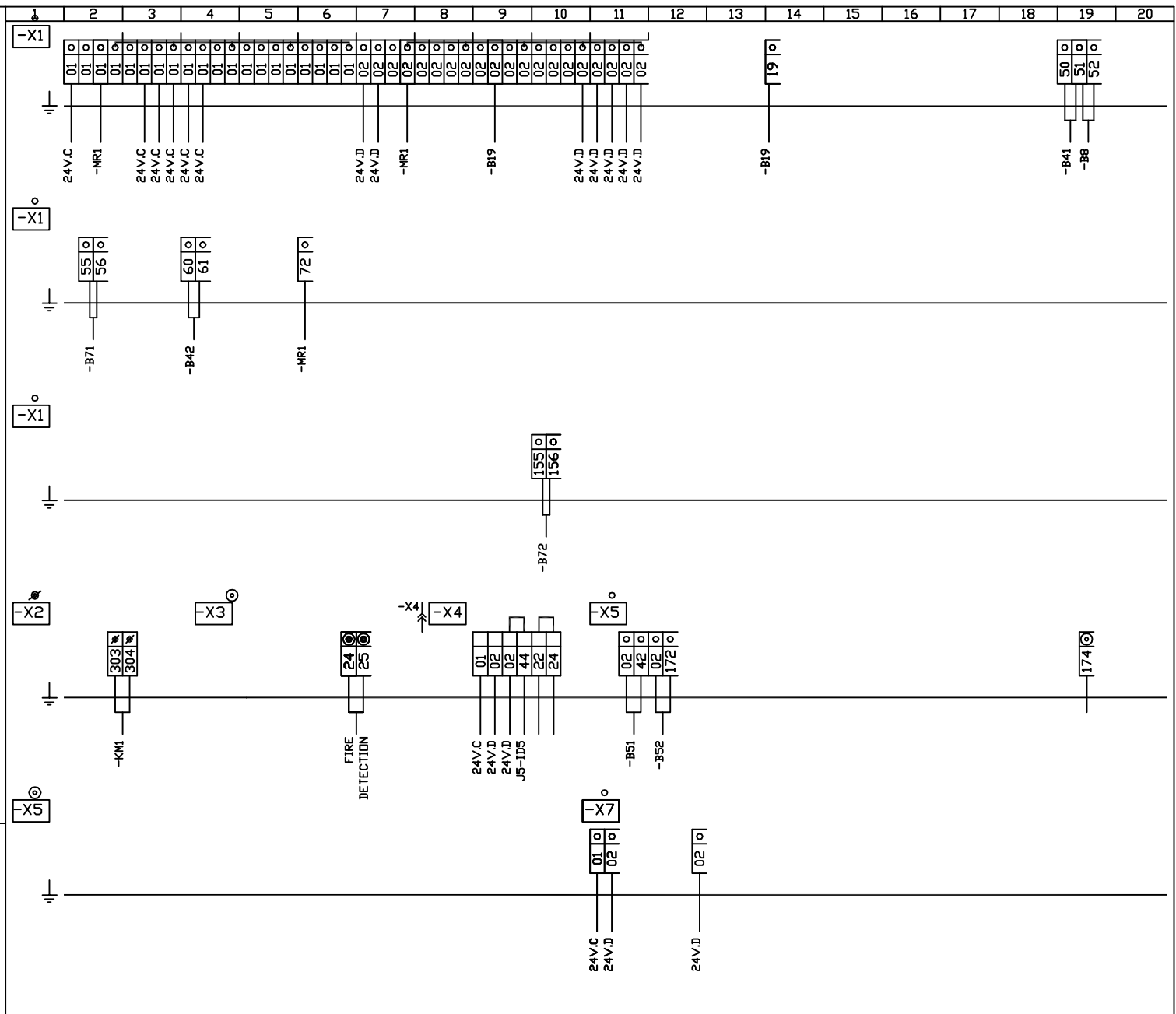


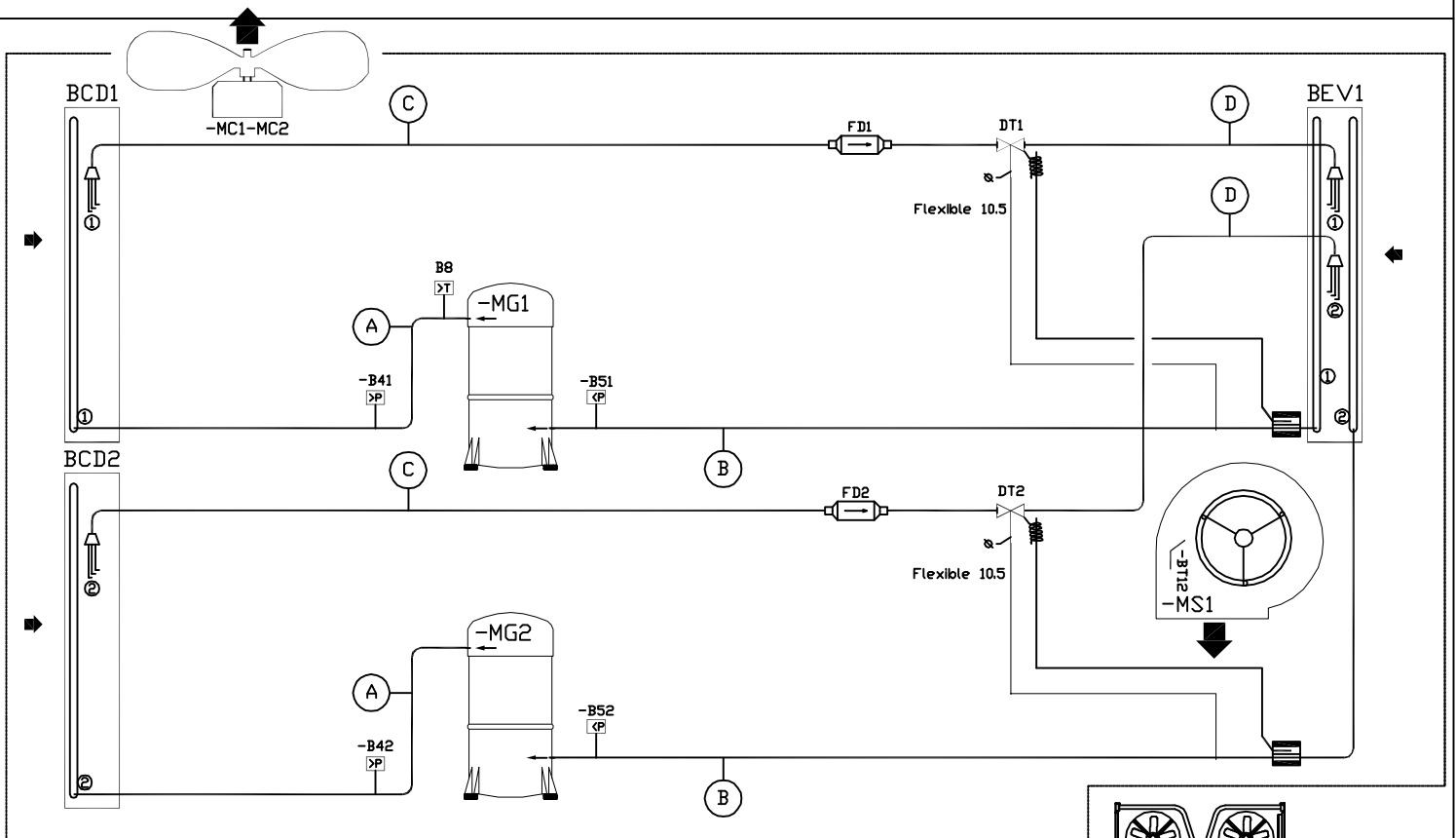
Indice	DATE	NOM	MODIFICATIONS

(1) BCK 045 HD
Kit chauffage
GAS

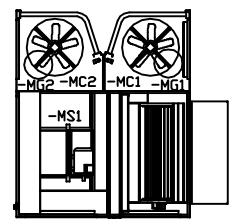
Dessine: CTO
Date: 12.10.05







BOX	30/35	40	-MG1	45	-MG2	50	60	70
D	5/8"	5/8"	5/8"	7/8"	7/8"	7/8"	7/8"	7/8"
C	1/2"	1/2"	1/2"	5/8"	5/8"	5/8"	5/8"	5/8"
B	7/8"	1 1/8"	1 1/8"	1 1/8"	1 1/8"	1 3/8"	1 3/8"	1 3/8"
A	5/8"	7/8"	7/8"	7/8"	7/8"	7/8"	7/8"	7/8"



Indice	DATE	NOM	MODIFICATIONS

(1) BCK 045 HD
 Schéma Frigorifique \ Hydraulique
 Cooling \ Hydraulic Diagram

Dessine: CTO
 Date: 12.10.05



244917 9/11

