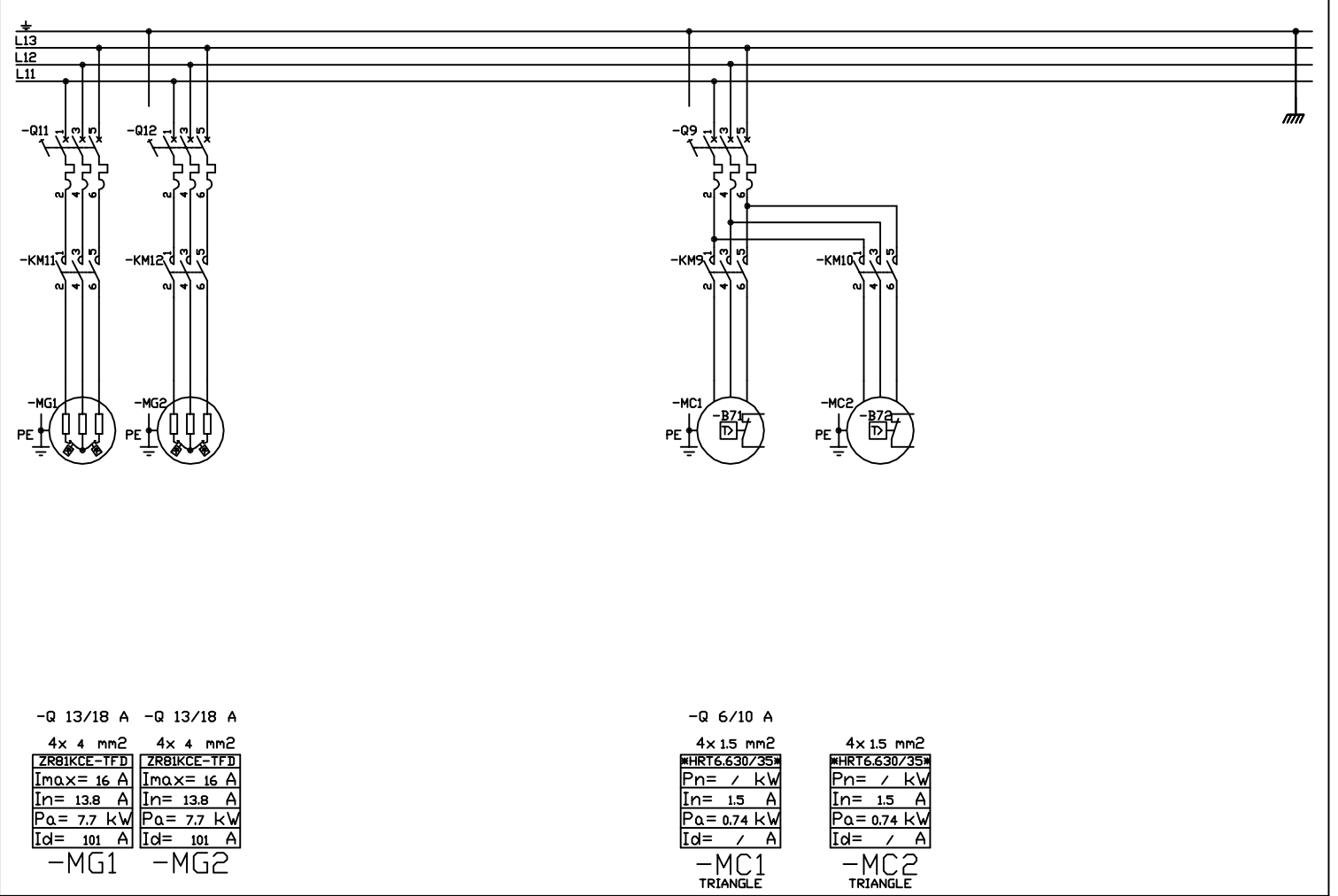
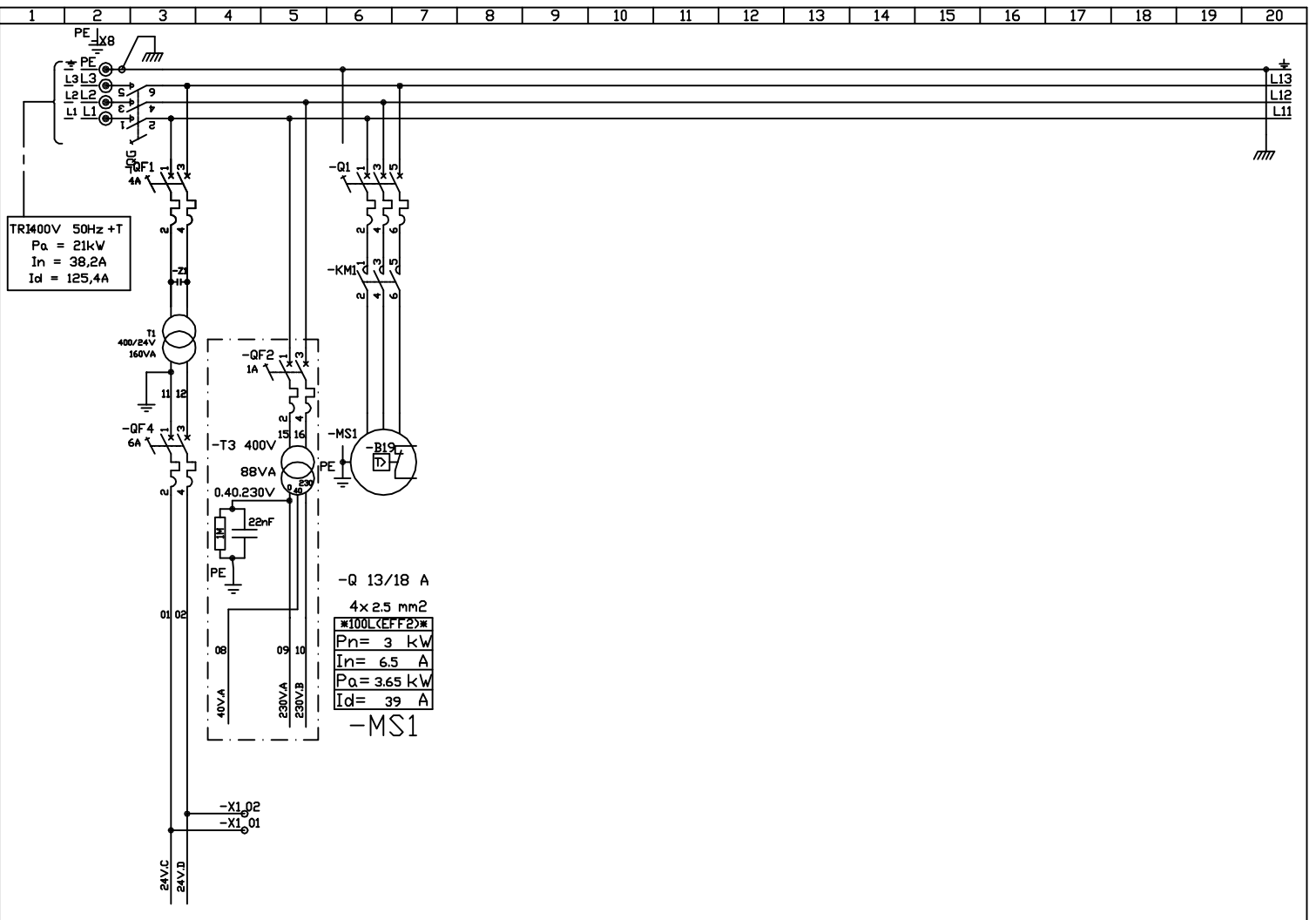
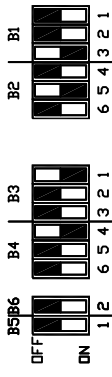
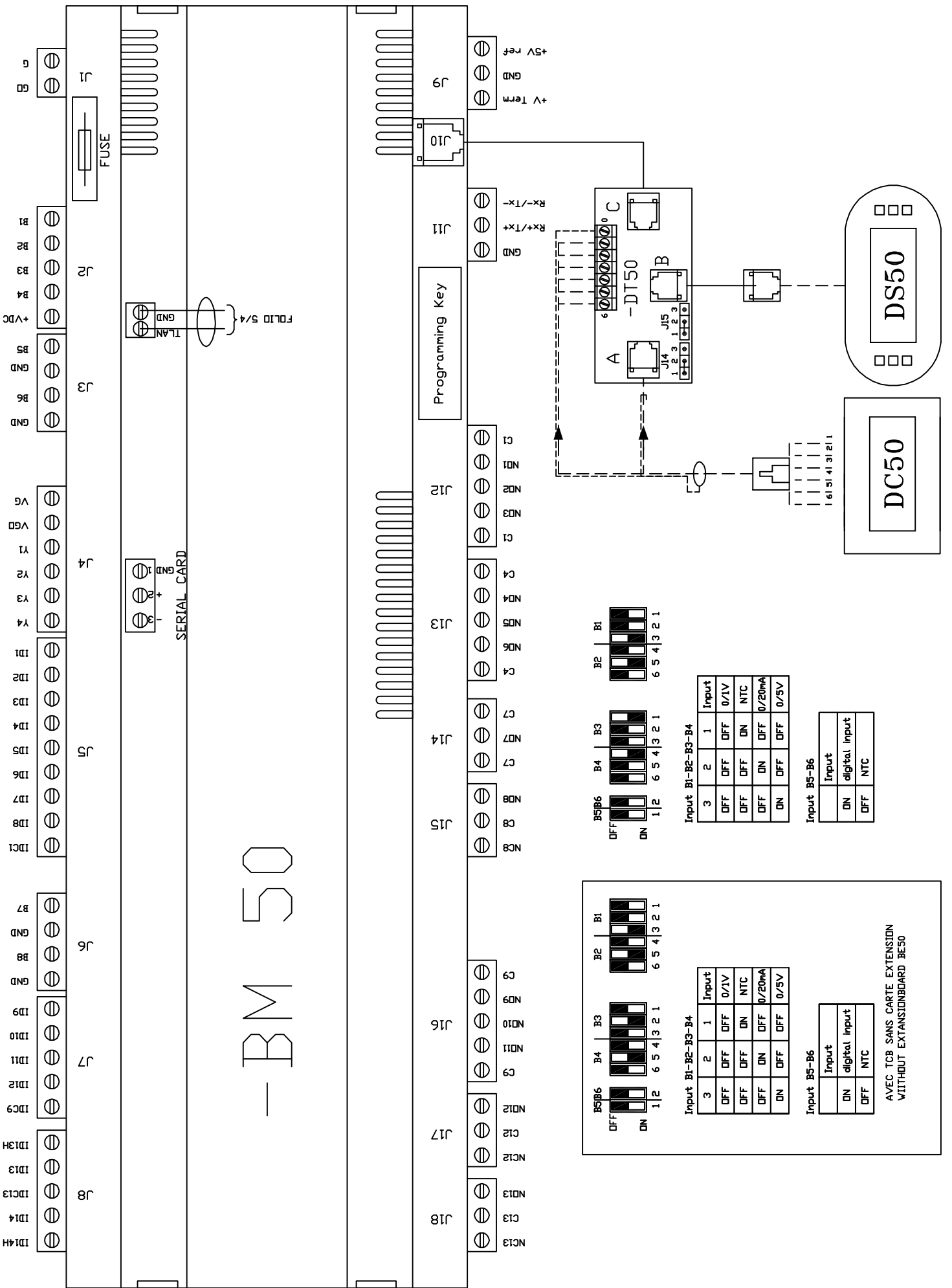


Indice	DATE	NOM	MODIFICATIONS
LENNOX[®]			
UCI - EASTKILBRIDE			
(3) BGK 040 HD LENNOX UK		Dessine: CTO Date: 28.09.04	PAGE DE GARDE 238633 0/11



- BM 50

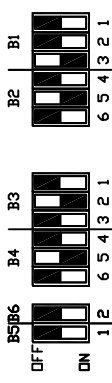


Input B1-B2-B3-B4

Input	1	2	3
0/1V	OFF	OFF	OFF
NTC	DN	OFF	OFF
0/20mA	OFF	DN	OFF
0/5V	OFF	OFF	DN

Input B5-B6

Input
digital input
NTC



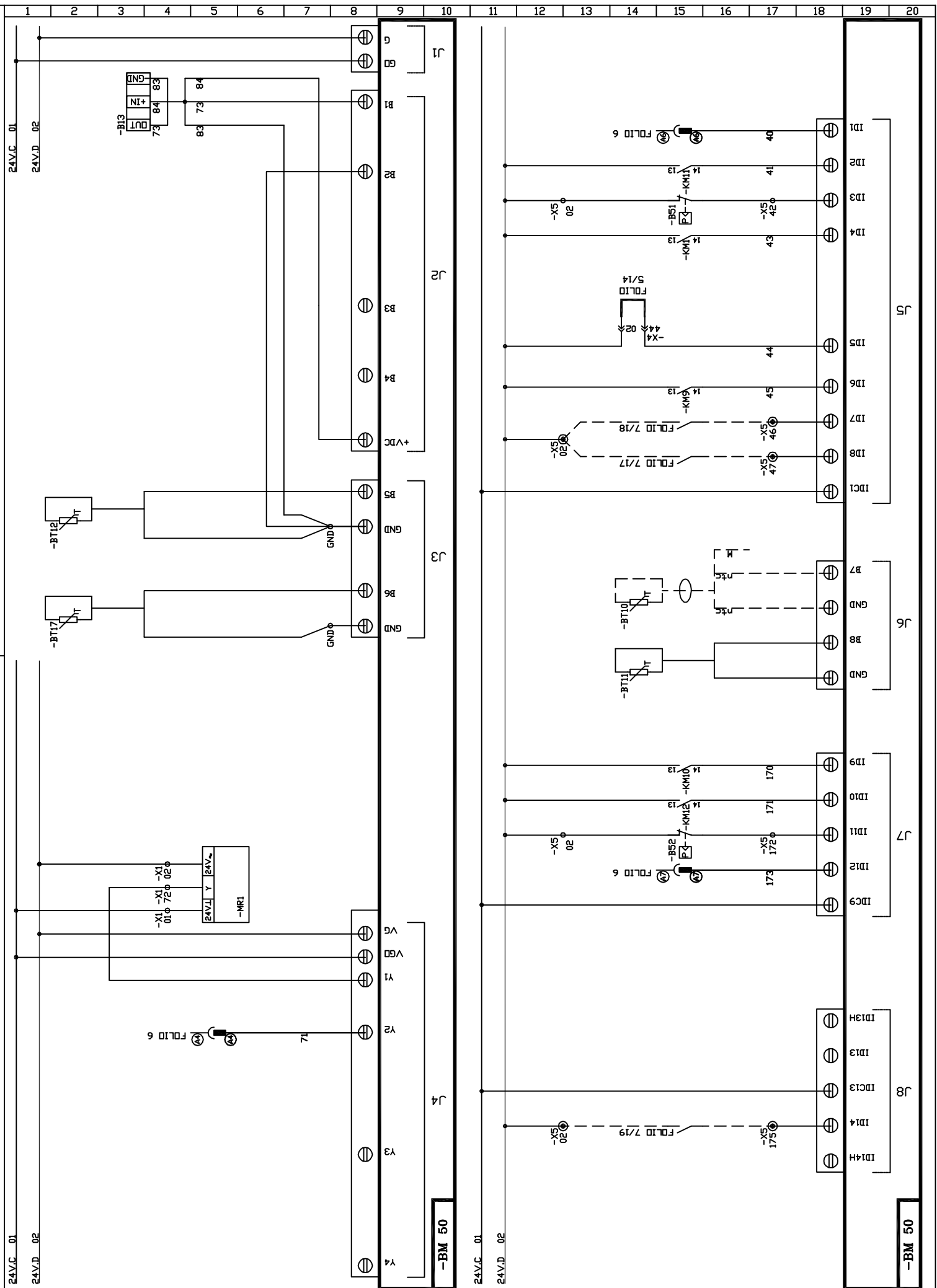
Input B1-B2-B3-B4

Input	1	2	3
0/1V	OFF	OFF	OFF
NTC	DN	OFF	OFF
0/20mA	OFF	DN	OFF
0/5V	OFF	OFF	DN

Input B5-B6

Input
digital input
NTC

AVEC TCB SANS CARTE EXTENSION
WITHOUT EXTENSIONBOARD BES0



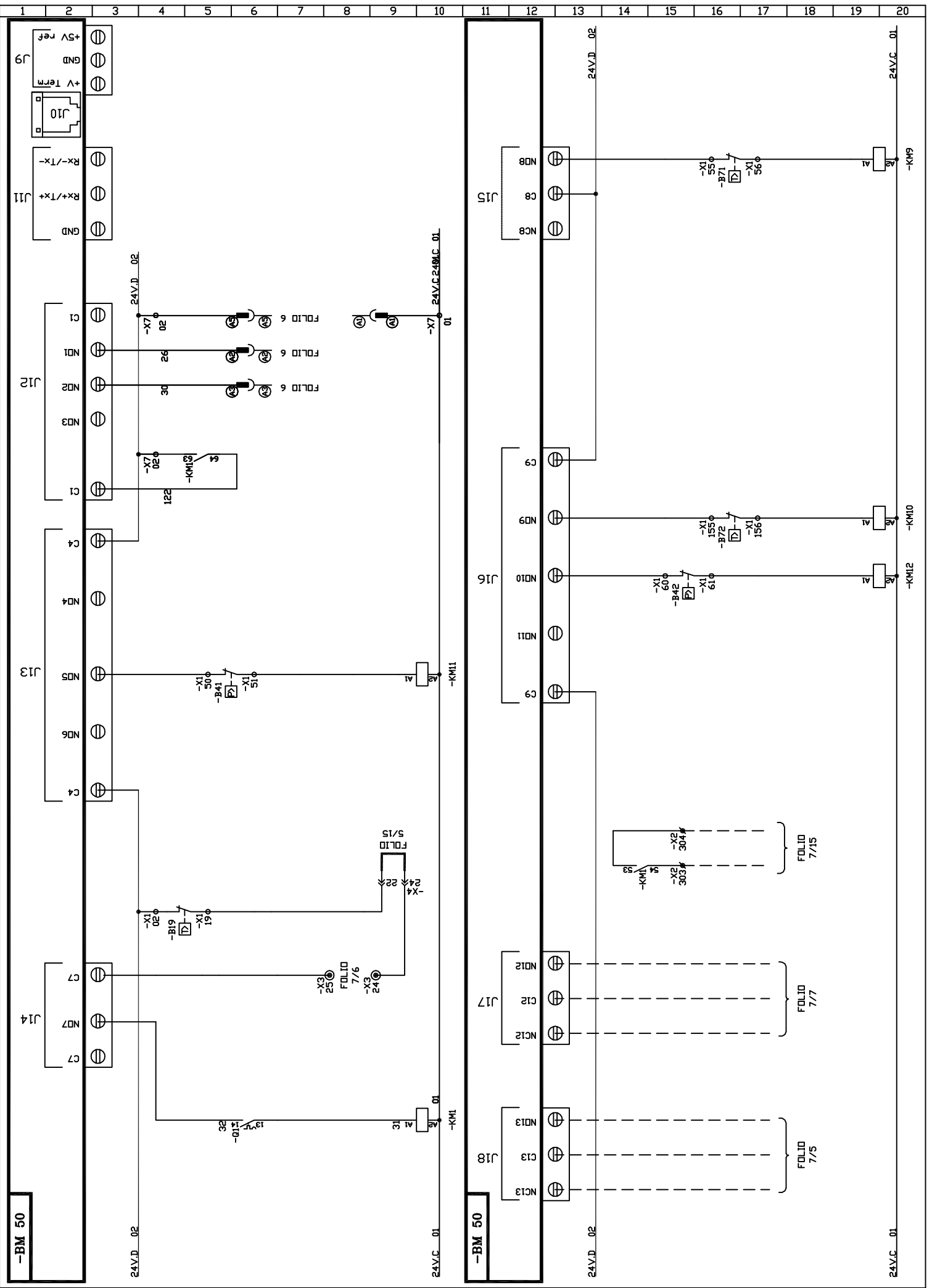
Indice	DATE	NOM	MODIFICATIONS

(3) BGK 040 HD
Entrées Automate CLIMATIC 50
Climatic 50 Controller Input

Dessine: CTO
Date: 28.09.04

LENNOX
USINE DE LONGVIC

238633 3/11



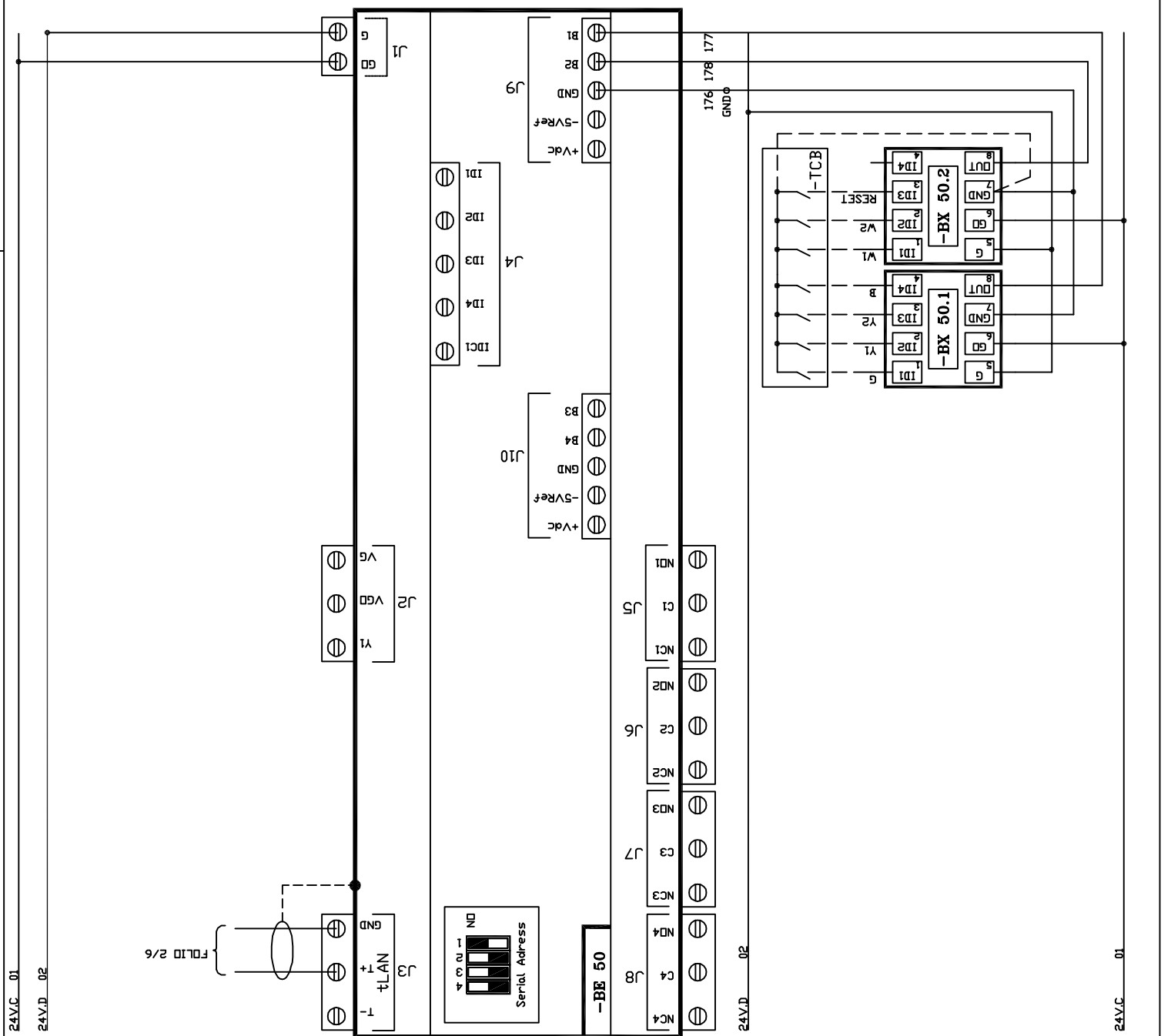
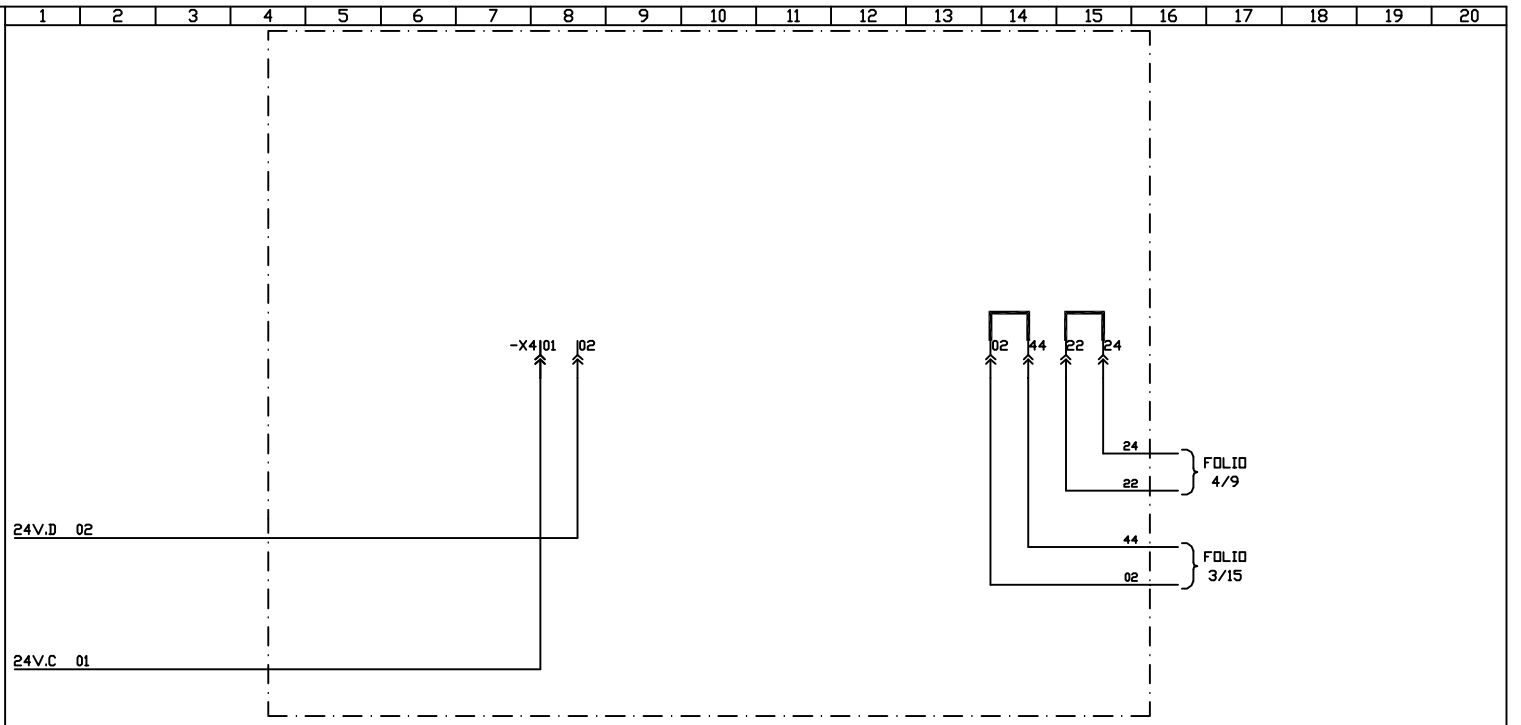
Indice	DATE	NOM	MODIFICATIONS

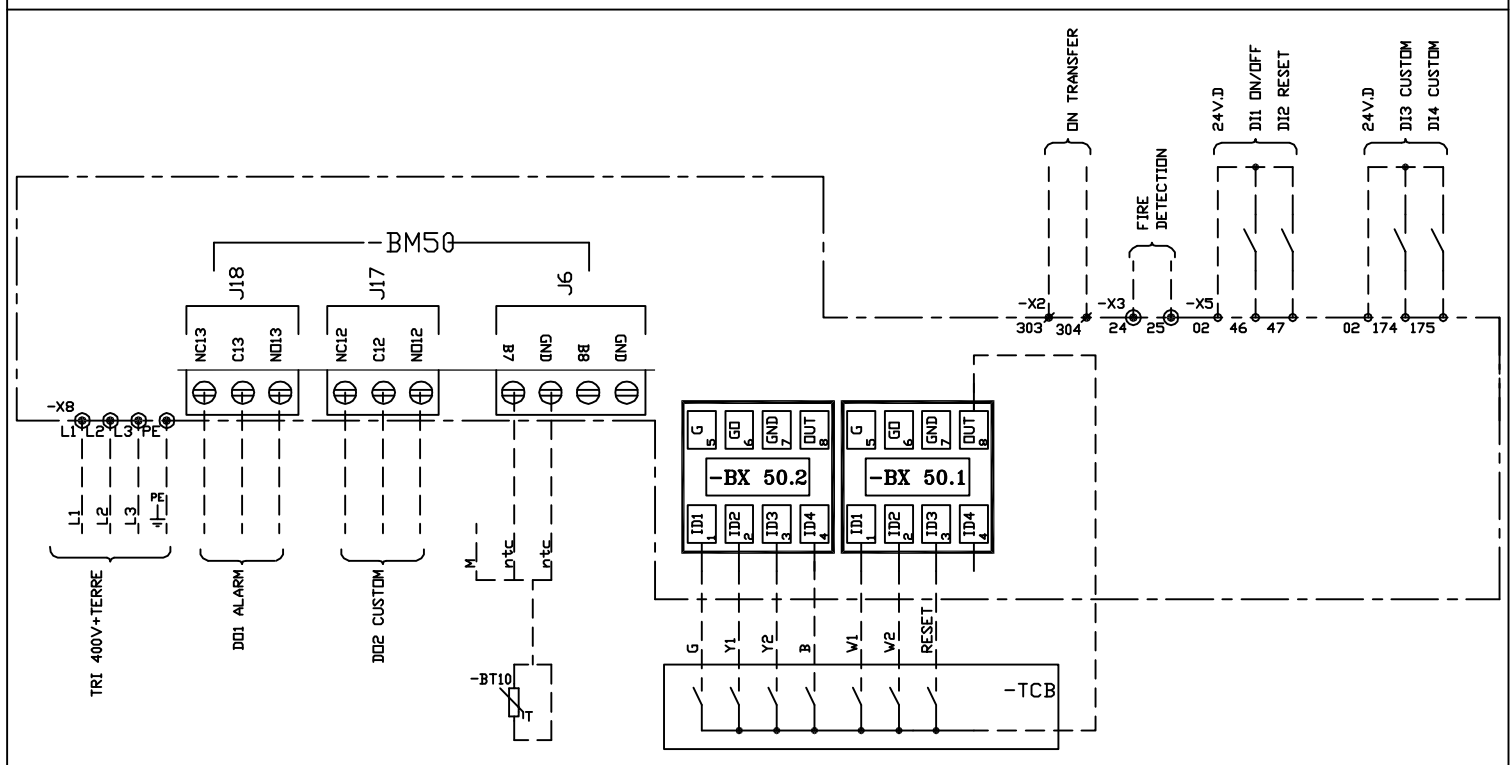
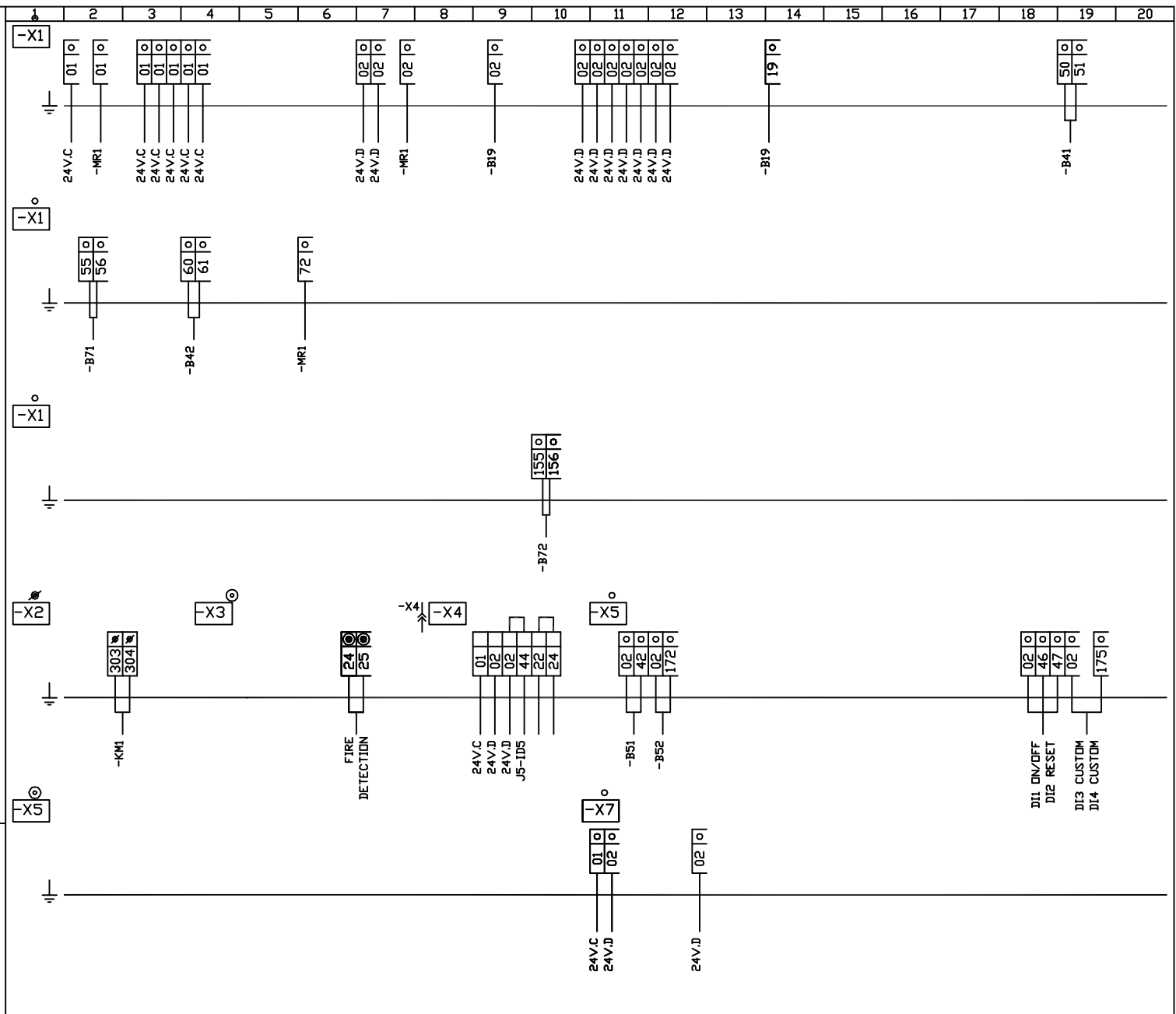
(3) BGK 040 HD
Sorties Automate CLIMATIC 50
Climatic 50 Controller Outputs

Dessine: CTO
Date: 28.09.04

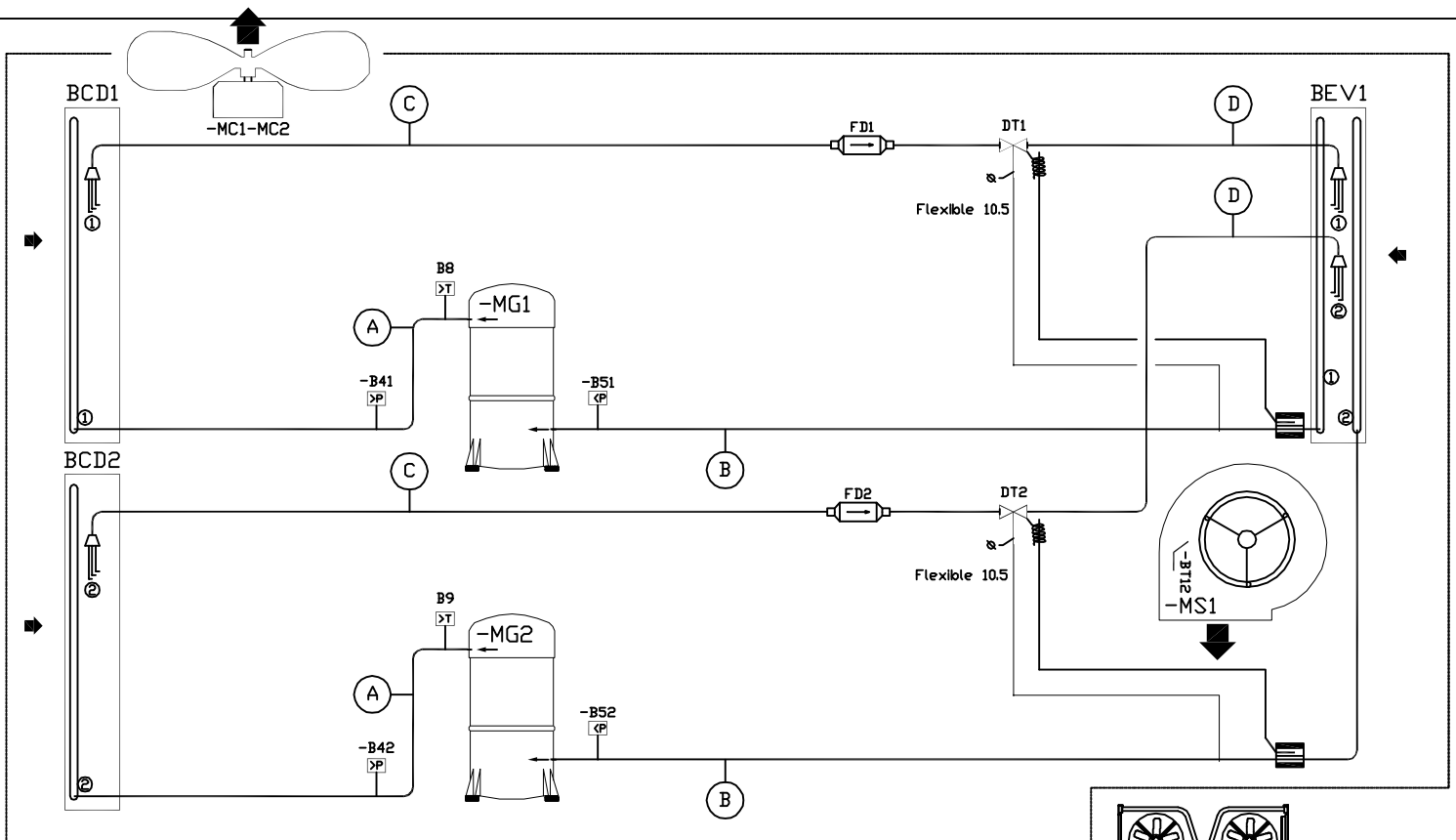
LENNOX
USINE DE LONGVIC

238633 4/11

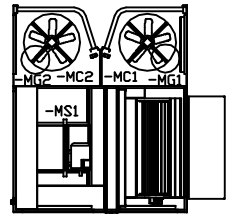




Indice	DATE	NOM	MODIFICATIONS	(3) BGK 040 HD Borniers \ Raccordement Client Terminal Strip \ Customer	Dessine: CTO Date: 28.09.04	LENNOX USINE DE LONGVIC	238633	7/11
--------	------	-----	---------------	-------------------------------------------------------------------------------	--------------------------------	-----------------------------------	--------	------



BOX	30/35	40	-MG1	45	-MG2	50	60	70
D	5/8"	5/8"	5/8"	7/8"	7/8"	7/8"	7/8"	7/8"
C	1/2"	1/2"	1/2"	5/8"	5/8"	5/8"	5/8"	5/8"
B	7/8"	1 1/8"	1 1/8"	1 1/8"	1 1/8"	1 3/8"	1 3/8"	1 3/8"
A	5/8"	7/8"	7/8"	7/8"	7/8"	7/8"	7/8"	7/8"



Indice	DATE	NOM	MODIFICATIONS

(3) B GK 040 HD
 Schéma Frigorifique \ Hydraulique
 Cooling \ Hydraulic Diagram

Dessine: CTO
 Date: 28.09.04

LENNOX
 USINE DE LONGVIC

238633 9/11

