
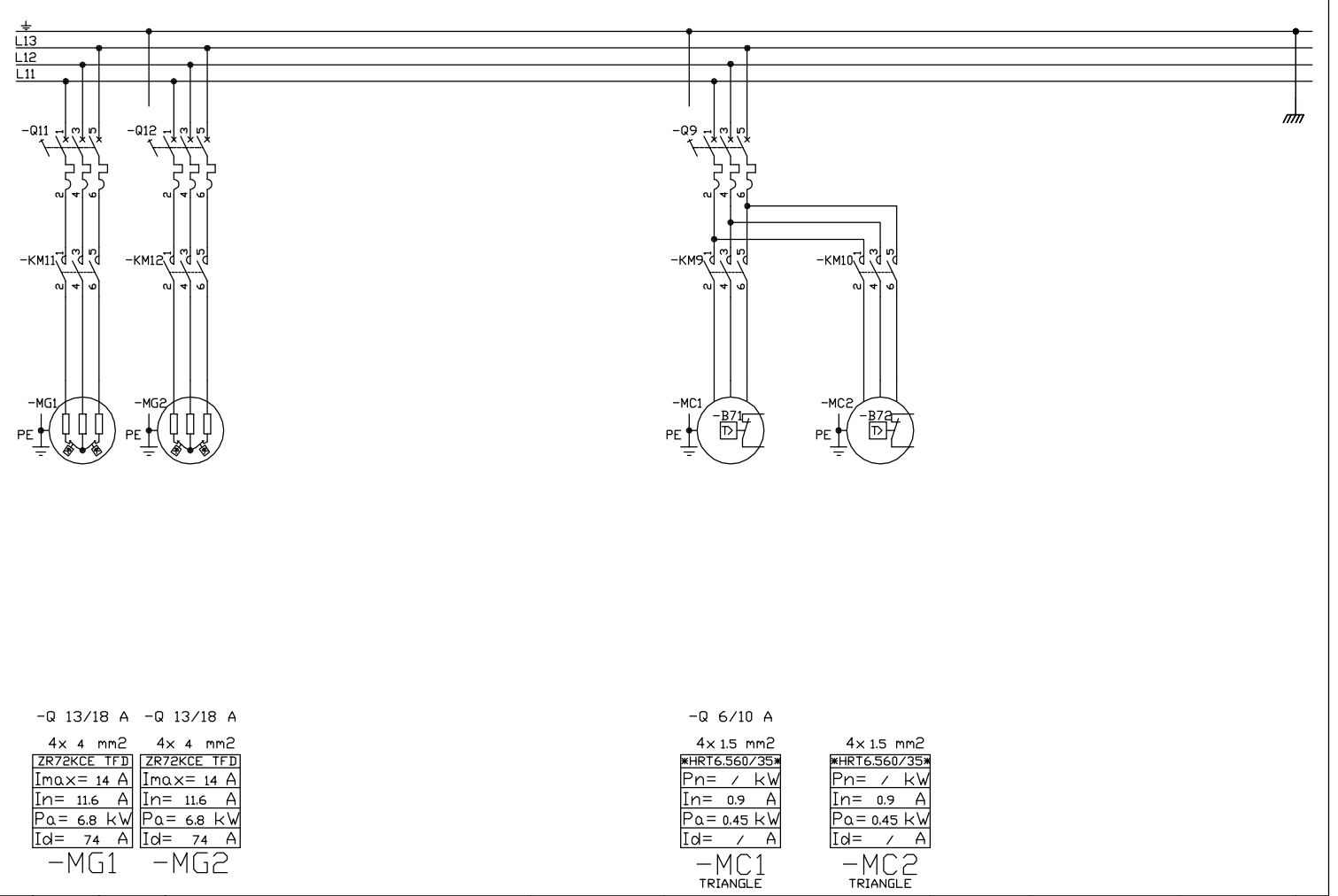
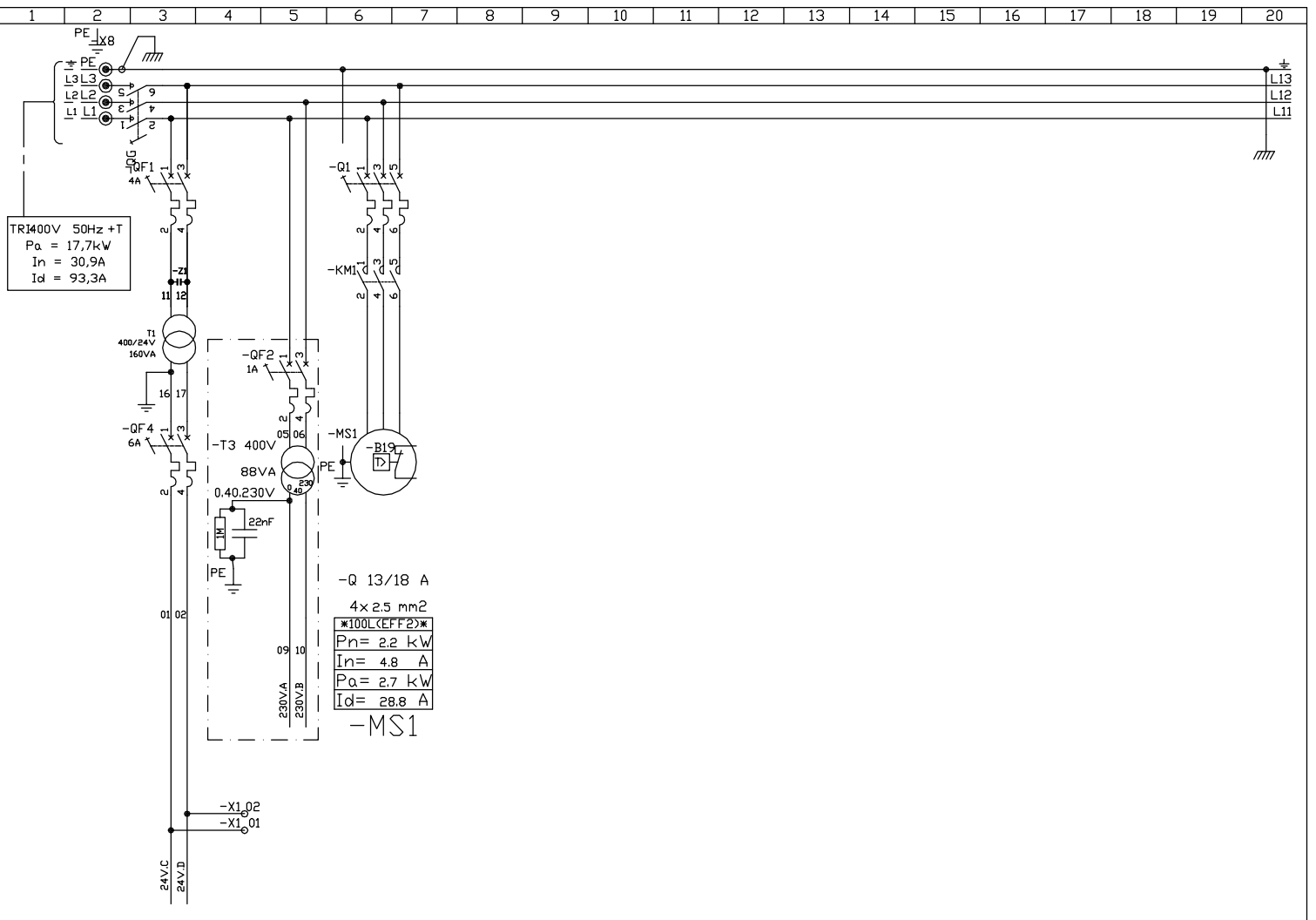
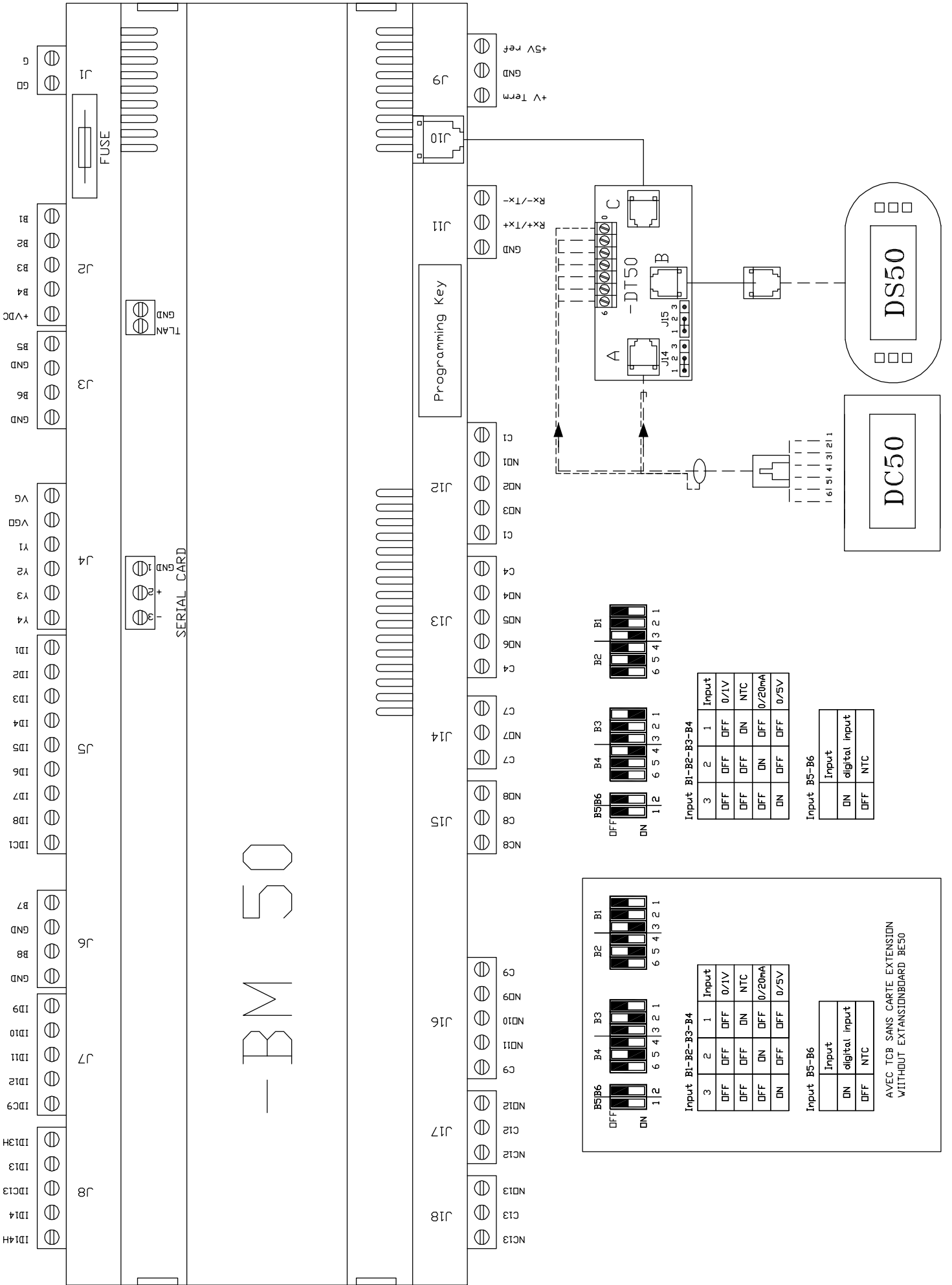


Indice	DATE	NOM	MODIFICATIONS		
					
<i>Frankie & Bennys Crawley</i>					
(1) BDK 035 HD LENNOX UK		Dessine: CTO Date: 03.08.06	PAGE DE GARDE <table border="1" style="float: right;"> <tr> <td style="text-align: center;">248448</td> <td style="text-align: center;">0 / 11</td> </tr> </table>	248448	0 / 11
248448	0 / 11				



- BM 50



Indice	DATE	NOM	MODIFICATIONS

(1) BDK 035 HD
Automate CLIMATIC 50
Climatic 50 Controller

Dessine: CTO
Date: 03.08.06



248448 2/11

B5/B6		B4	B3	B2	B1
OFF	DN	6 5 4 3 2 1	6 5 4 3 2 1	6 5 4 3 2 1	6 5 4 3 2 1

Input B1-B2-B3-B4

3	2	1	Input
OFF	OFF	OFF	0/1V
OFF	OFF	DN	NTC
OFF	DN	OFF	0/20mA
DN	OFF	OFF	0/5V

Input B5-B6

Input
digital input
NTC

AVEC TCB SANS CARTE EXTENSION
WITHOUT EXTENSIONBOARD BE50

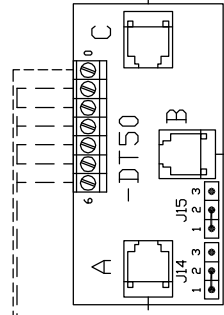
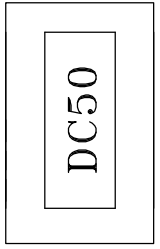
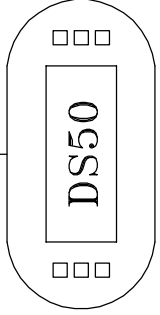
B5/B6		B4	B3	B2	B1
OFF	DN	6 5 4 3 2 1	6 5 4 3 2 1	6 5 4 3 2 1	6 5 4 3 2 1

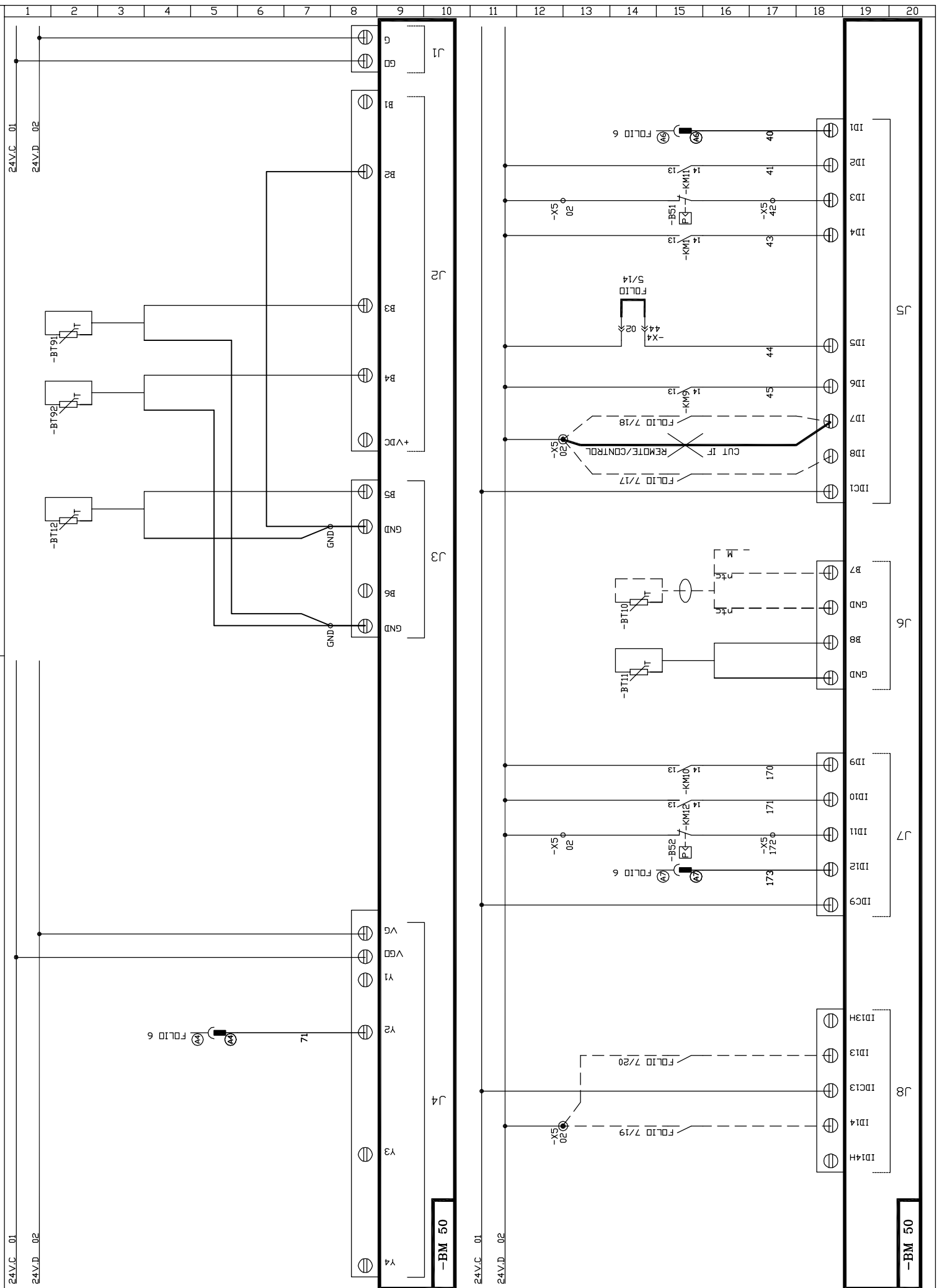
Input B1-B2-B3-B4

3	2	1	Input
OFF	OFF	OFF	0/1V
OFF	OFF	DN	NTC
OFF	DN	OFF	0/20mA
DN	OFF	OFF	0/5V

Input B5-B6

Input
digital input
NTC





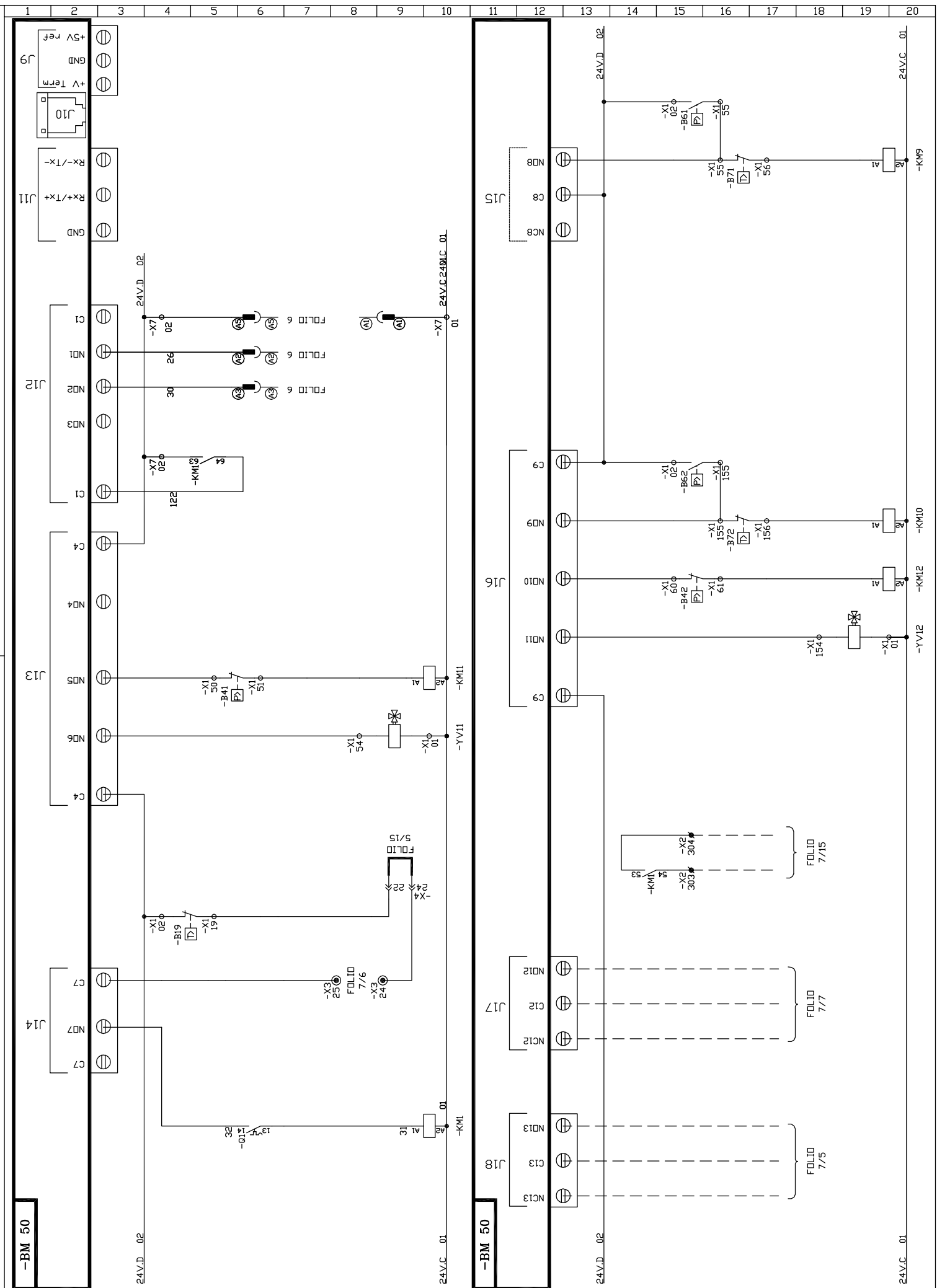
Indice	DATE	NOM	MODIFICATIONS

(1) BDK 035 HD
Entrées Automate CLIMATIC 50
Climatic 50 Controller Input

Dessine: CTO
Date: 03.08.06



248448 3/11



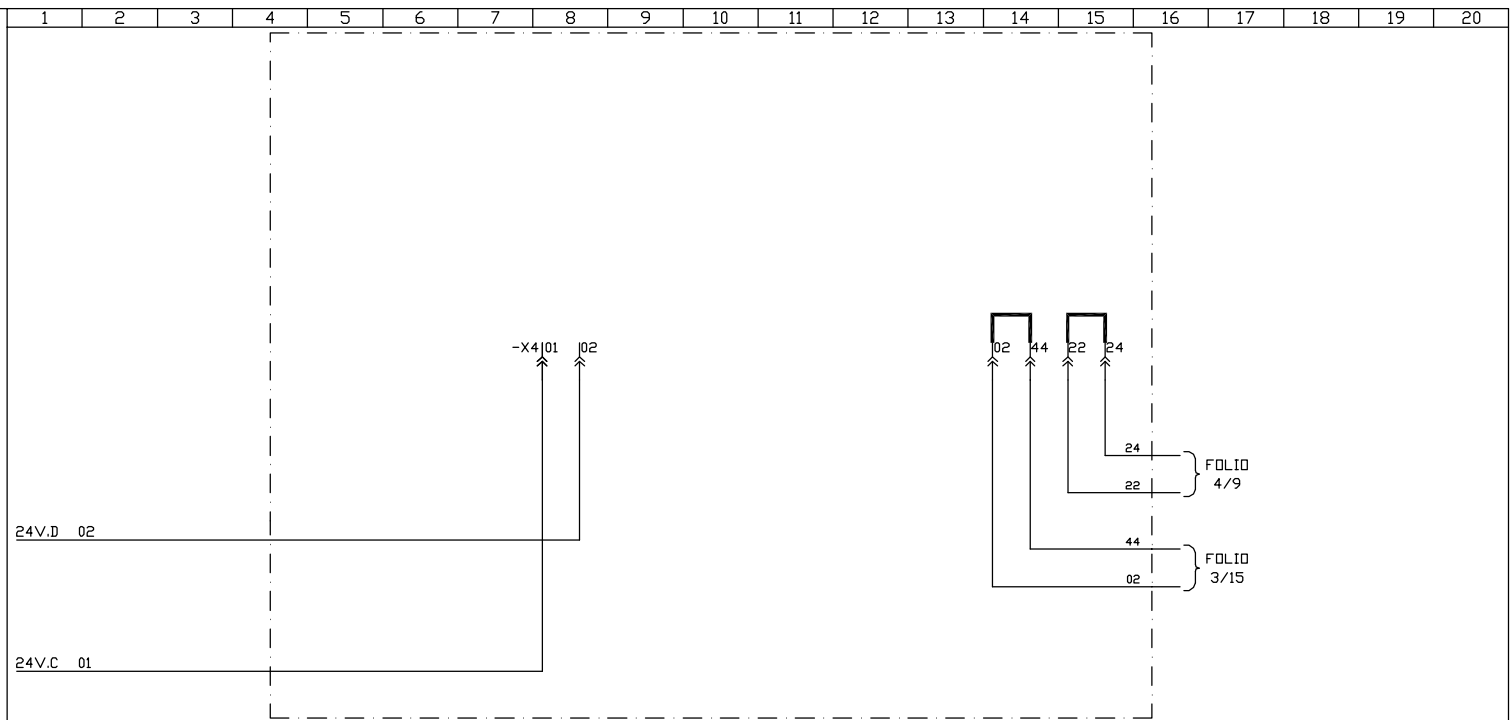
Indice	DATE	NOM	MODIFICATIONS

(1) BDK 035 HD
Sorties Automate CLIMATIC 50
Climatic 50 Controller Outputs

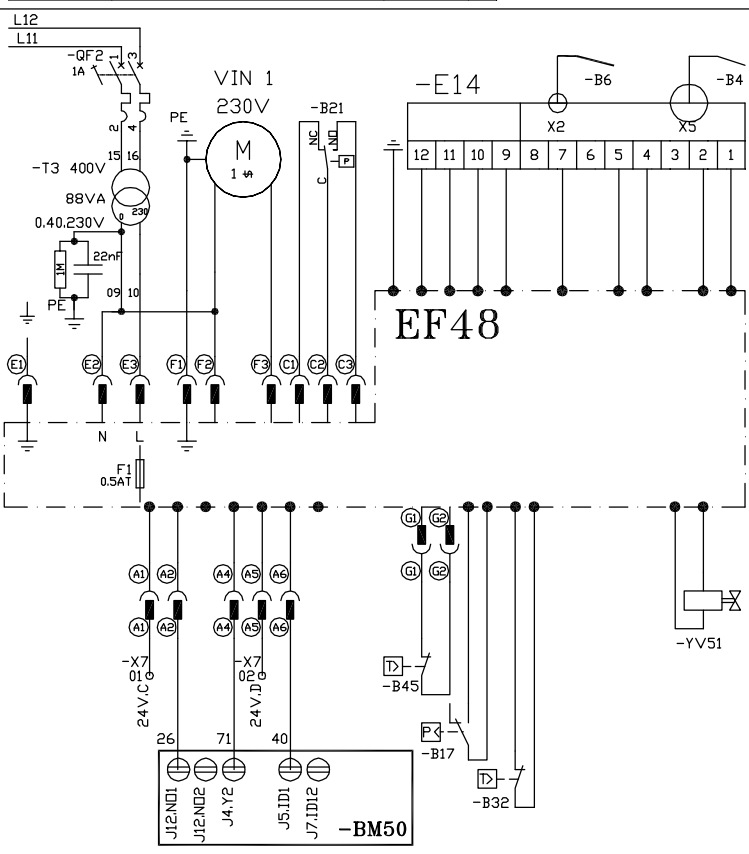
Dessine: CTO
Date: 03.08.06



248448 4/11



REPERE	REFERENCE	CODE	Nb
-QF2	C60N 1A BIPOL COURBE D	4480589E	1
-T3	88VA 400V/40V/230V	4430131Z	1
-RC	CIRCUIT RC 1MEG0HM - 22nF	4770012Z	1
-EF48	-EF48	4770624Z	1

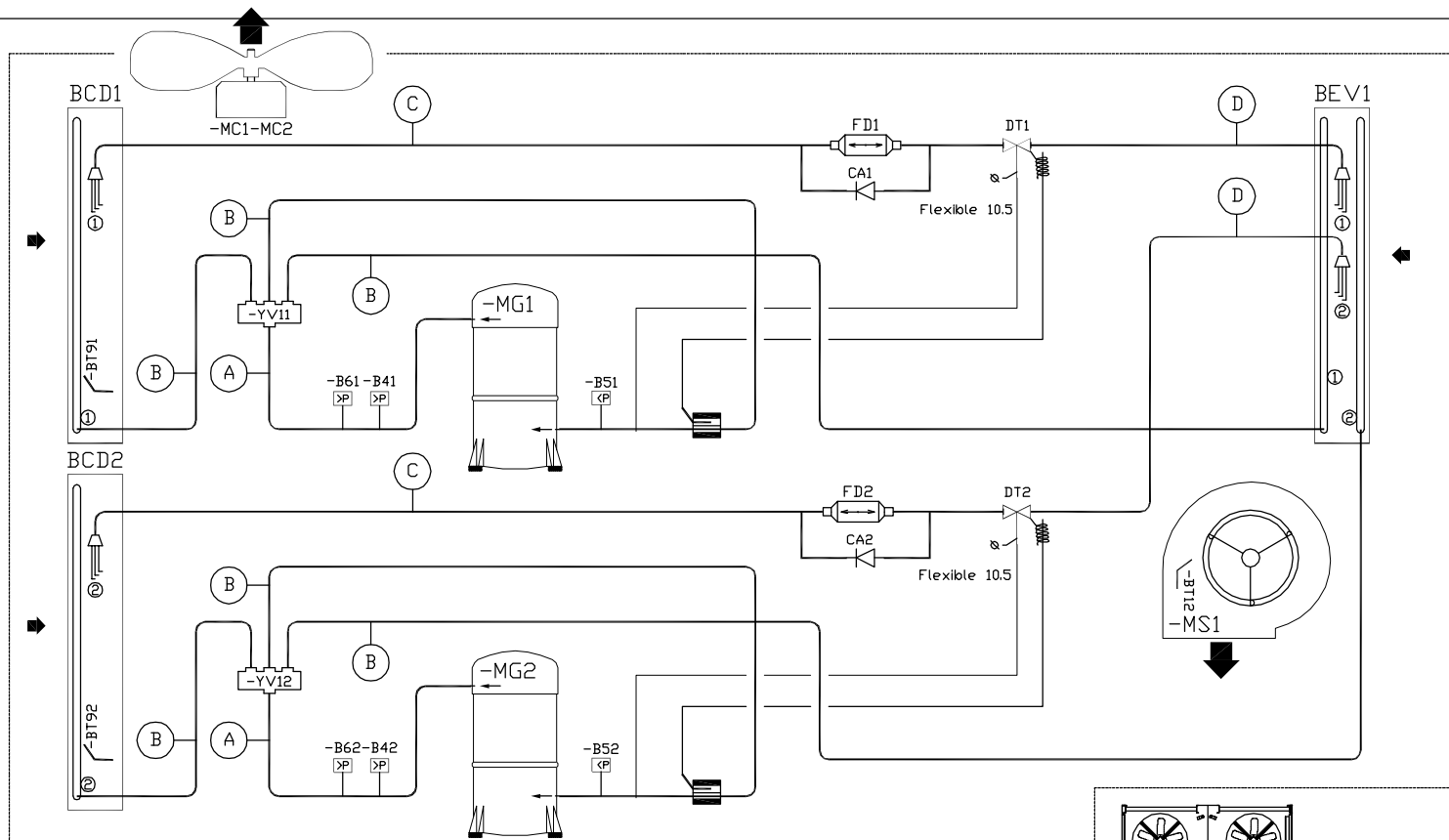


Indice	DATE	NOM	MODIFICATIONS

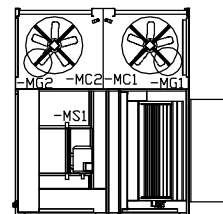
(1) BDK 035 HD
 Kit chauffage
 GAS

Dessine: CTO
 Date: 03.08.06





BDX	30/35	40	-MG1	45	-MG2	50	60	70
D	5/8"	5/8"	5/8"	7/8"	7/8"	7/8"	7/8"	7/8"
C	1/2"	1/2"	1/2"	5/8"	5/8"	5/8"	5/8"	5/8"
B	7/8"	1 1/8"	1 1/8"	1 1/8"	1 1/8"	1 1/8"	1 1/8"	1 3/8"
A	5/8"	7/8"	7/8"	7/8"	7/8"	7/8"	7/8"	7/8"



Indice	DATE	NOM	MODIFICATIONS

(1) BDK 035 HD
 Schéma Frigorifique \ Hydraulique
 Cooling \ Hydraulic Diagram

Dessine: CTO
 Date: 03.08.06



248448

9/11

