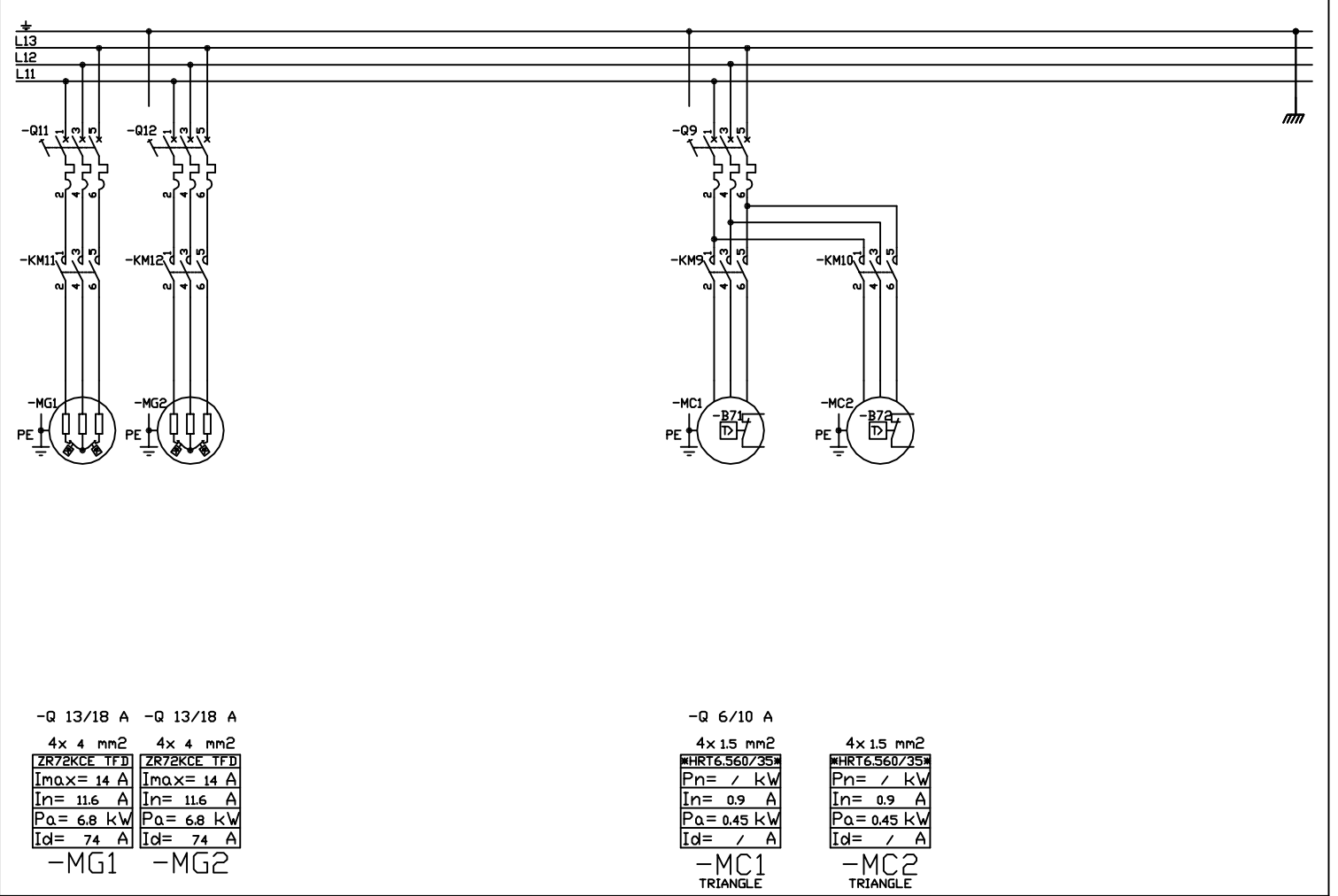
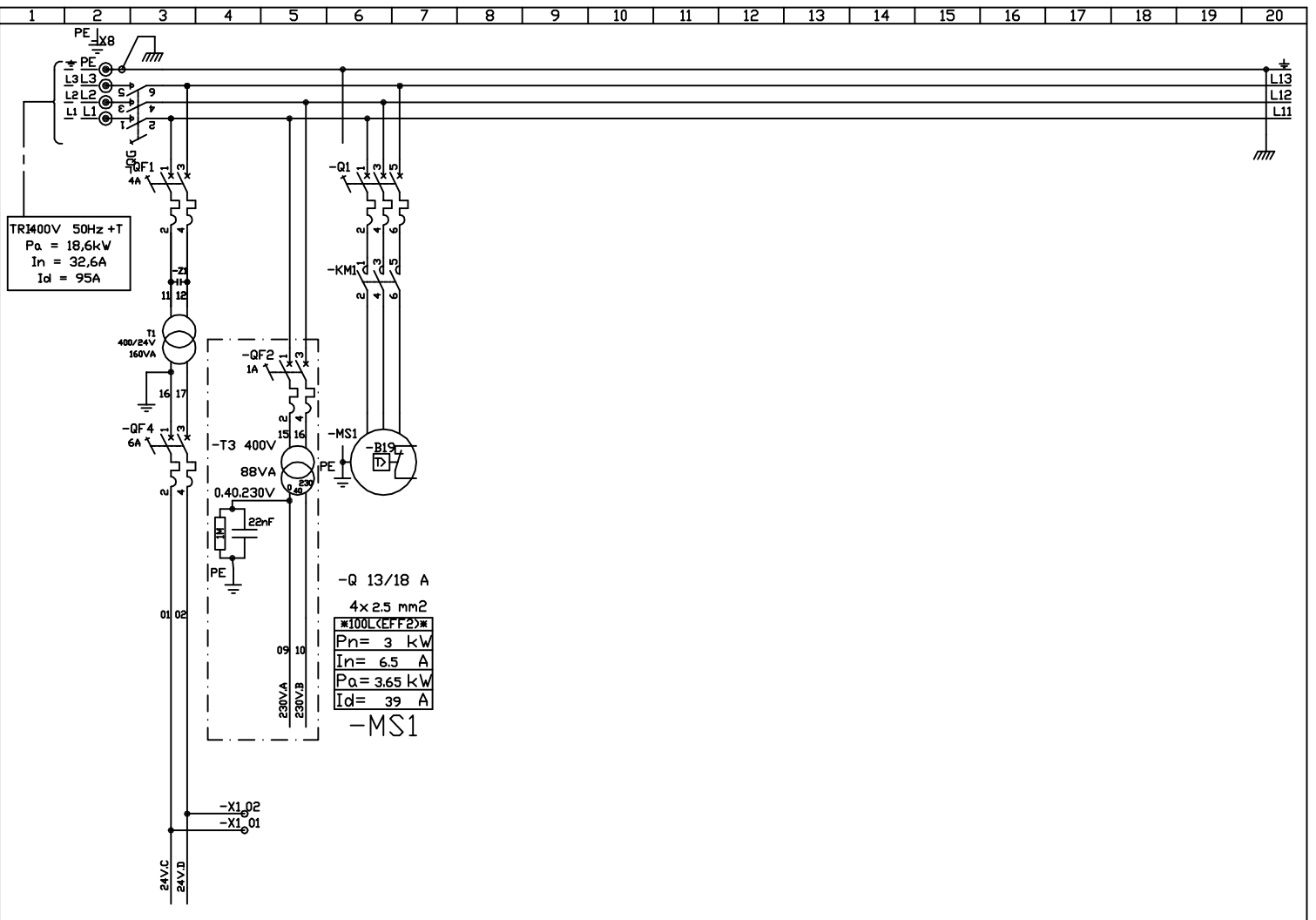
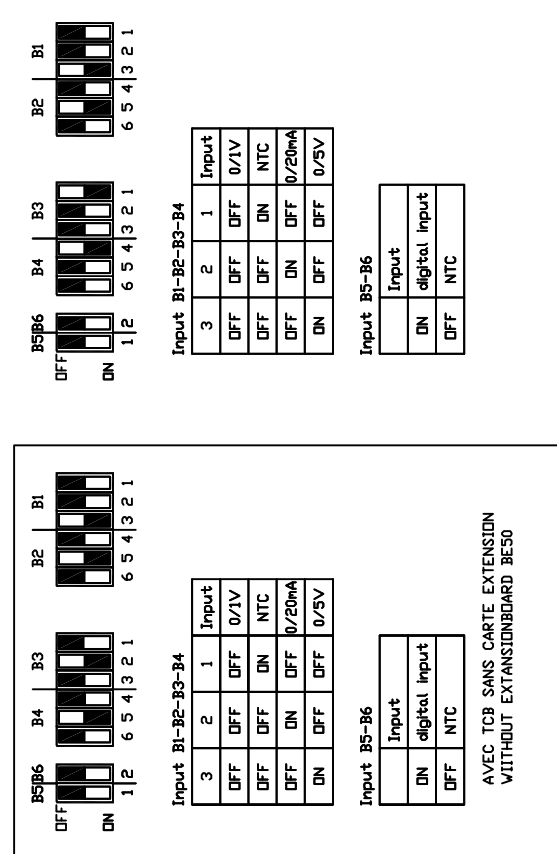
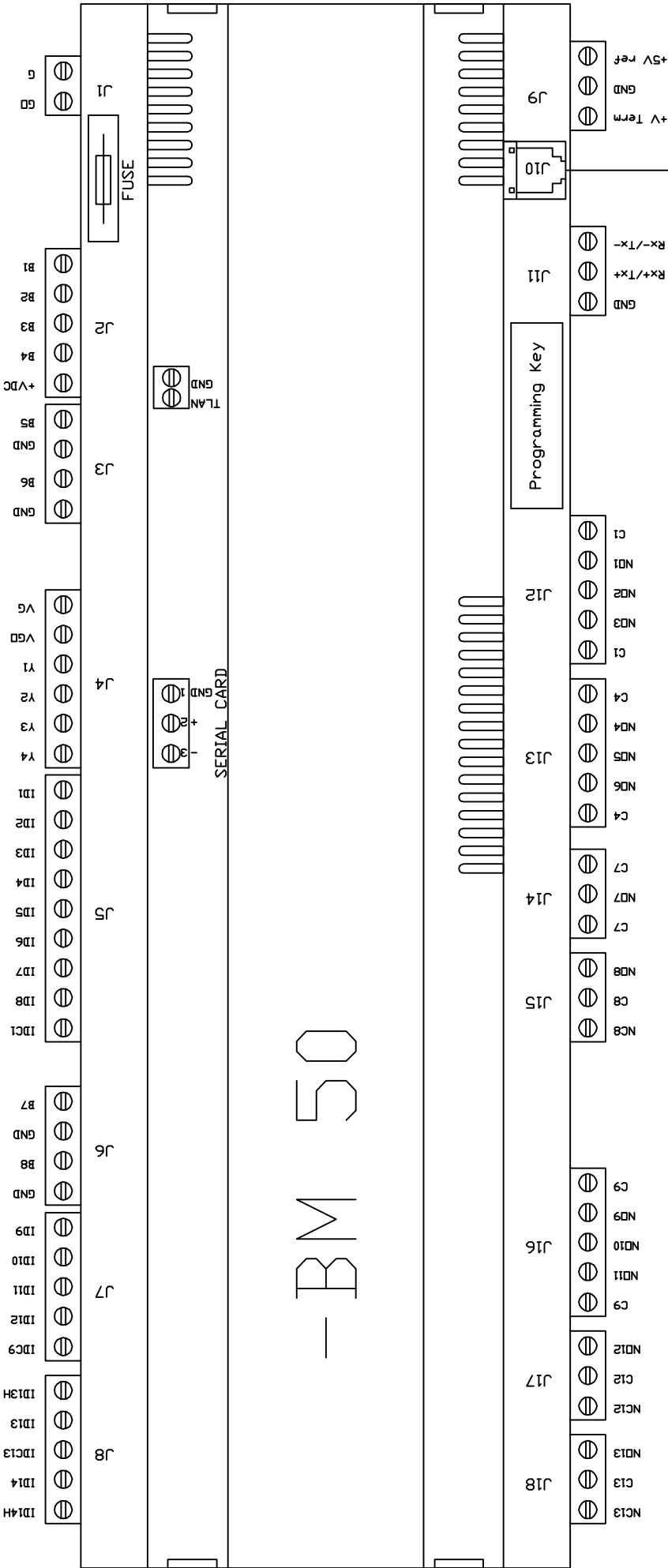
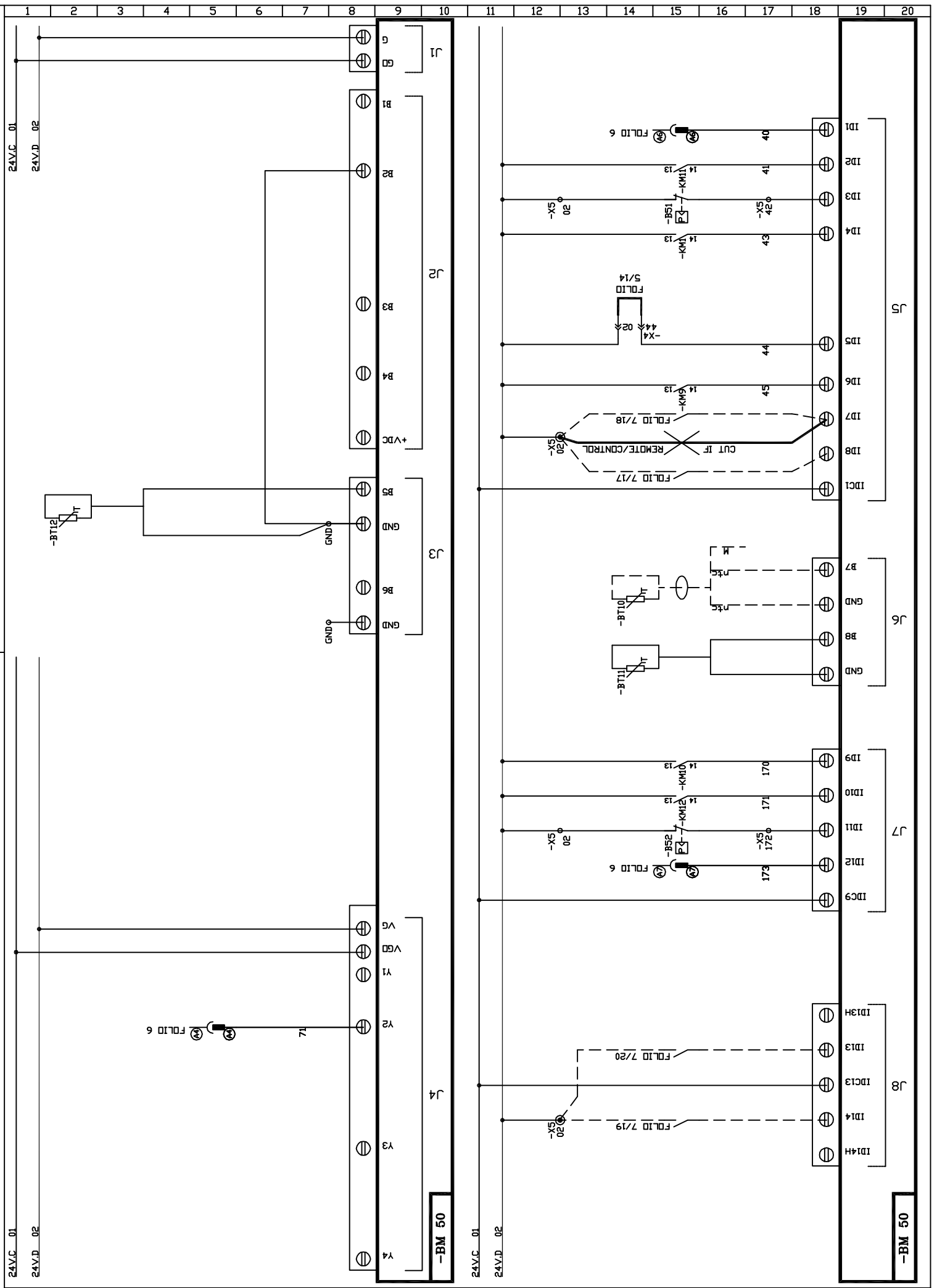


Indice	DATE	NOM	MODIFICATIONS
LENNOX[®]			
<i>Frankie & Bennys Livingston</i>			
(1) BGK 035 HD	Dessine: CTO	PAGE DE GARDE	240708 0/11
LENNOX UK	Date: 11.02.05		



- BM 50





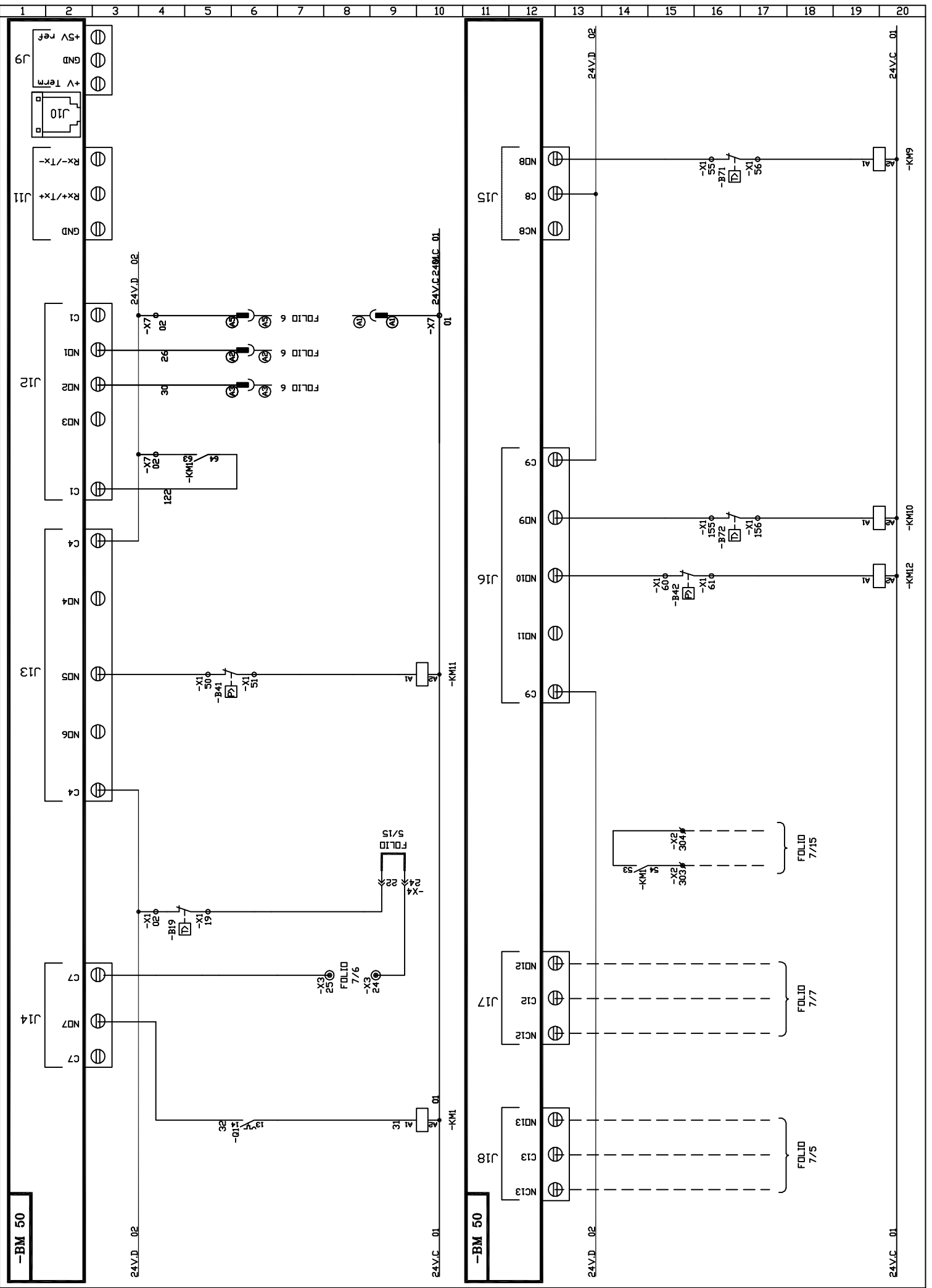
Indice	DATE	NOM	MODIFICATIONS

(1) BCK 035 HD
Entrées Automate CLIMATIC 50
Climatic 50 Controller Input

Dessine: CTO
Date: 11.02.05



240708 3/11



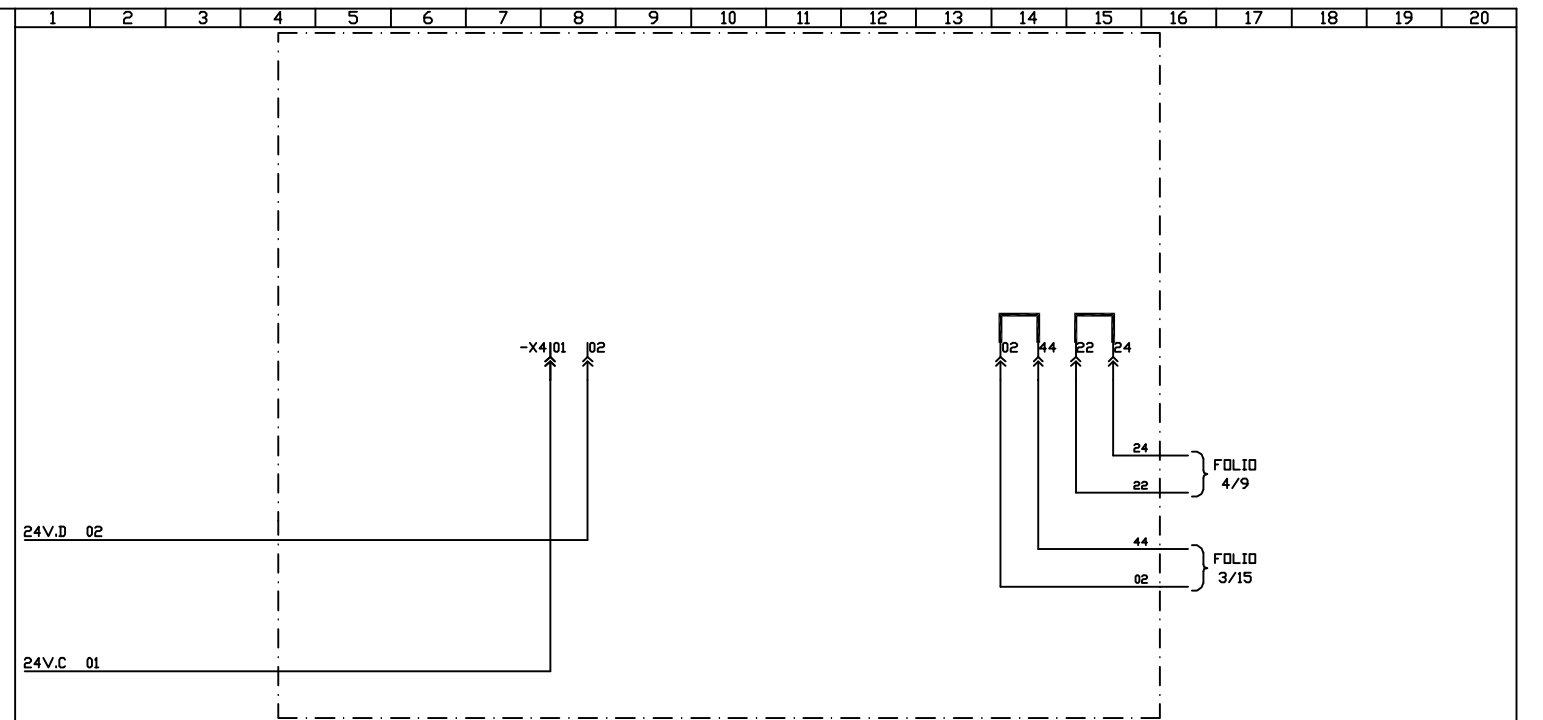
Indice	DATE	NOM	MODIFICATIONS

(1) BKG 035 HD
Sorties Automate CLIMATIC 50
Climatic 50 Controller Outputs

Dessine: CTO
Date: 11.02.05

LENNOX
USINE DE LONGVIC

240708 4/11



Indice	DATE	NOM	MODIFICATIONS

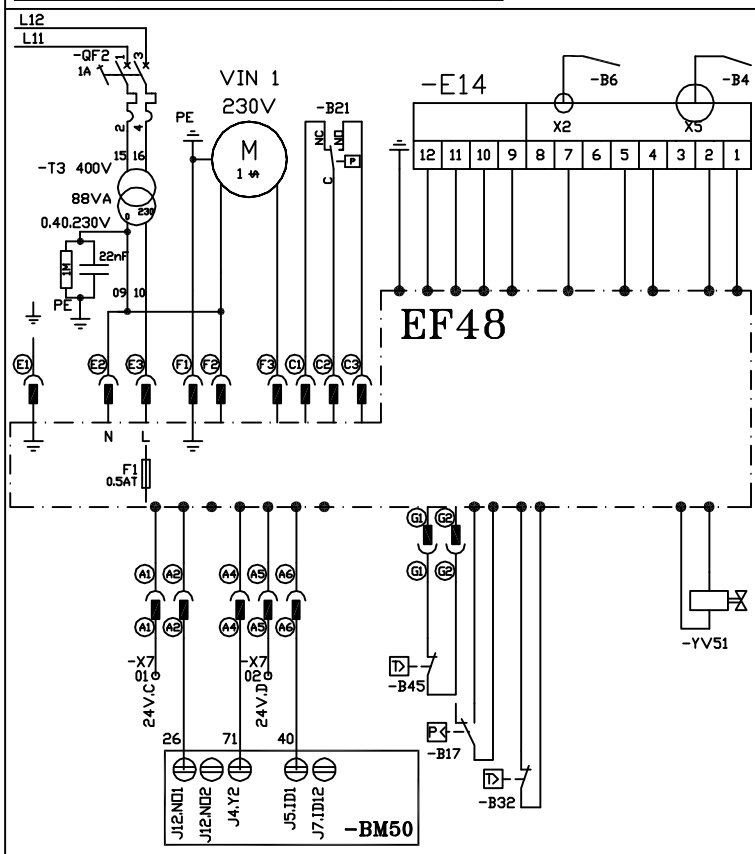
(1) BGK 035 HD
 DAD \ BE50
 DAD \ BE50

Dessine:
 CTO
 Date: 11.02.05



240708 5/11

REPERE	REFERENCE	CODE	Nb
-QF2	C60N 1A BIPOL COURBE D	4480589E	1
-T3	88VA 400V/40V/230V	4430131Z	1
-RC	CIRCUIT RC 1MEG0HM - 22nF	4770012Z	1
-EF48	-EF48	4770624Z	1



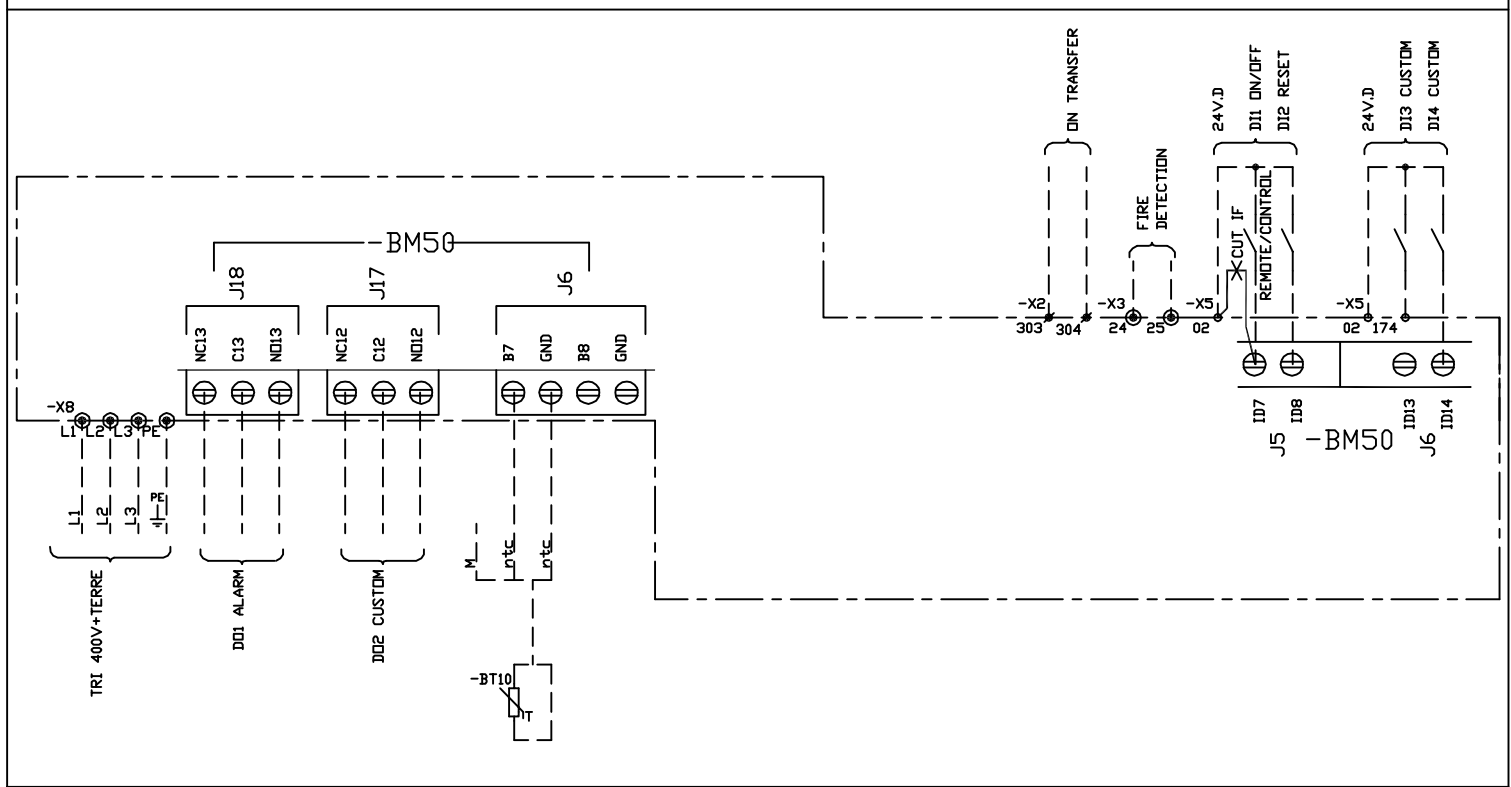
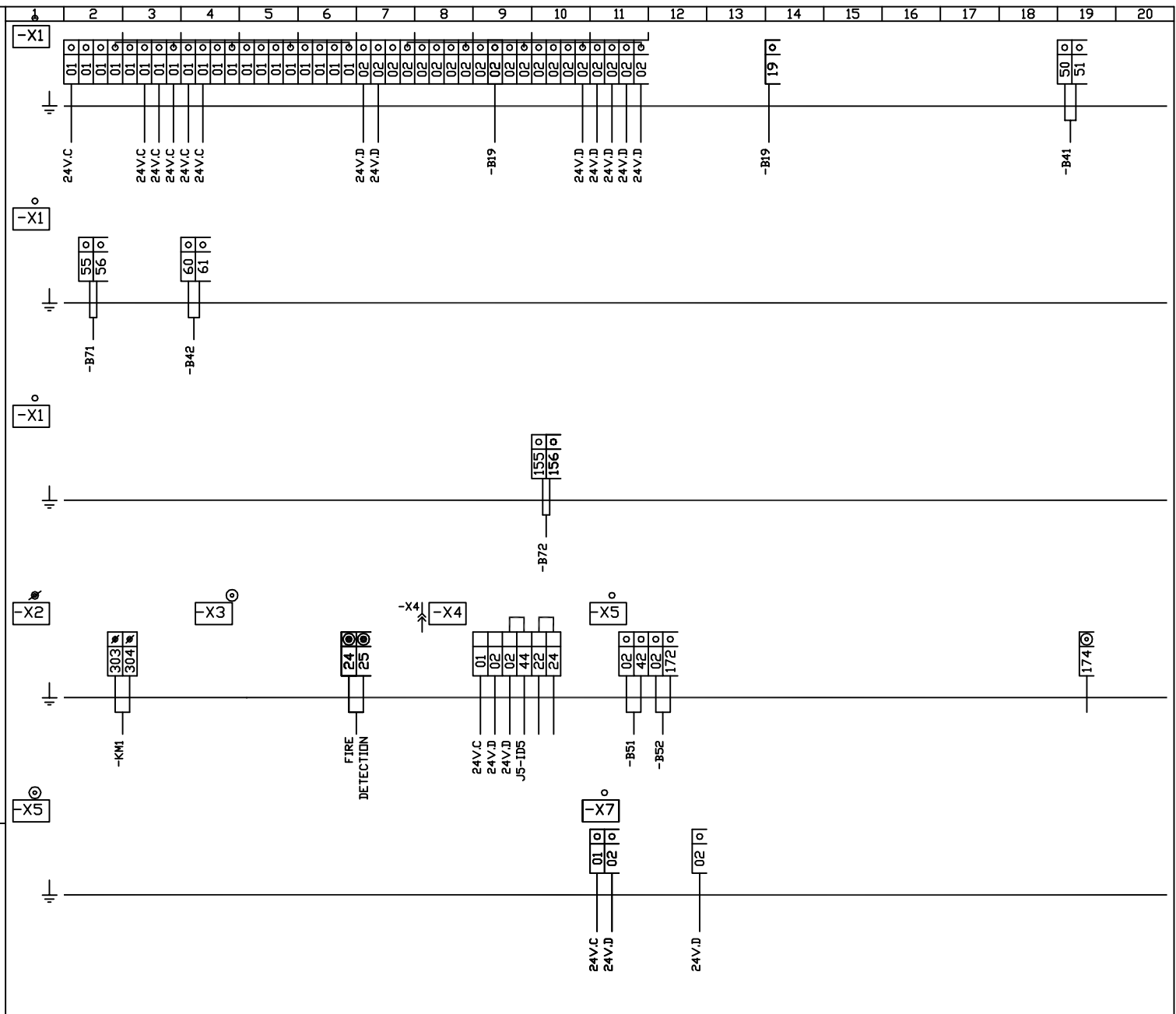
Indice	DATE	NOM	MODIFICATIONS

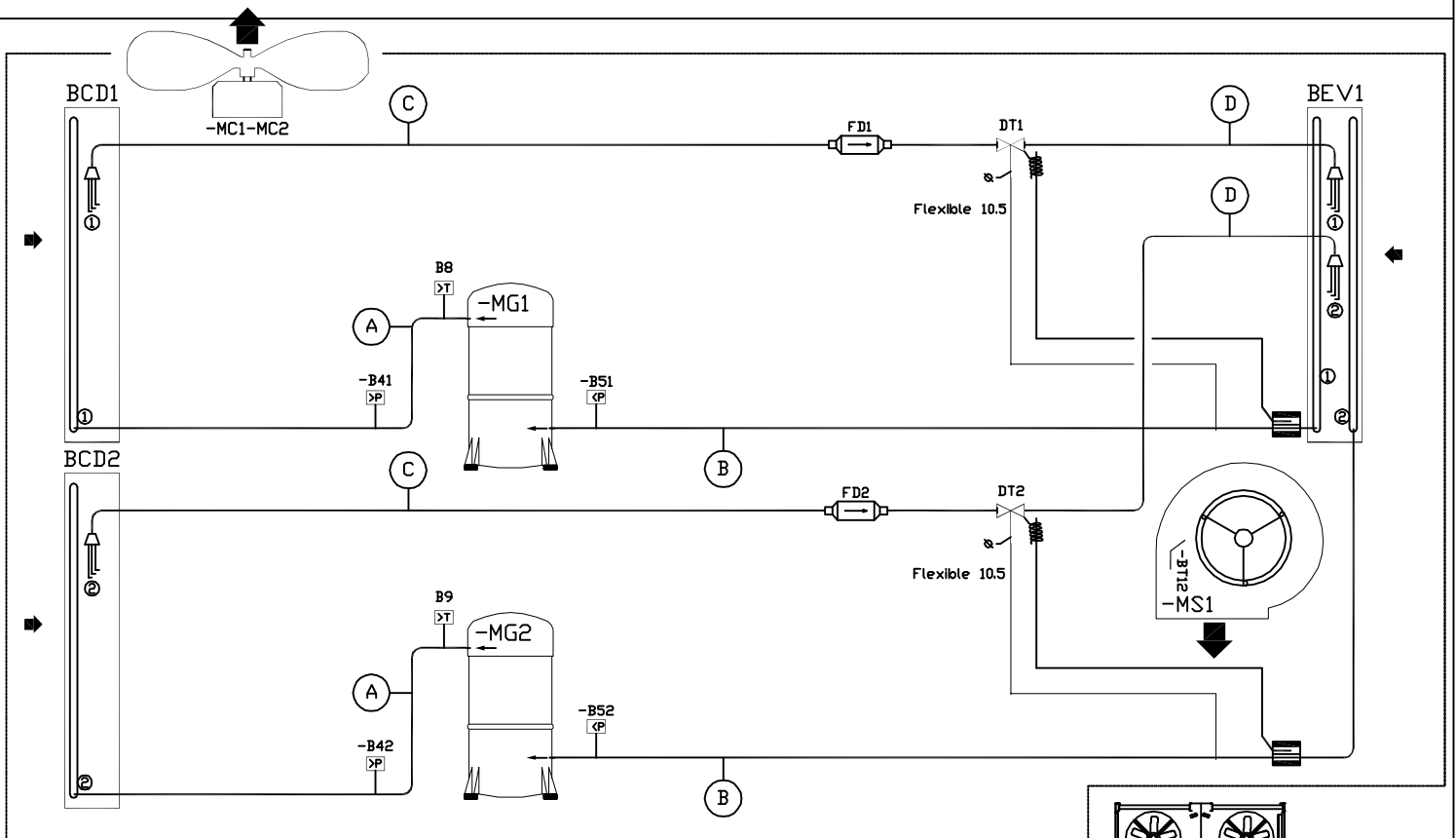
(1) BCK 035 HD
Kit chauffage
GAS

Dessine: CTO
Date: 11.02.05

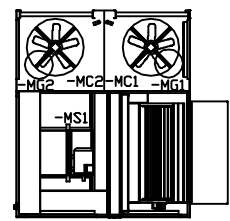
LENNOX
USINE DE LONGVIC

240708 6/11





BOX	30/35	40	-MG1	45	-MG2	50	60	70
D	5/8"	5/8"	5/8"	7/8"	7/8"	7/8"	7/8"	7/8"
C	1/2"	1/2"	1/2"	5/8"	5/8"	5/8"	5/8"	5/8"
B	7/8"	1 1/8"	1 1/8"	1 1/8"	1 1/8"	1 3/8"	1 3/8"	1 3/8"
A	5/8"	7/8"	7/8"	7/8"	7/8"	7/8"	7/8"	7/8"



Indice	DATE	NOM	MODIFICATIONS

(1) BCK 035 HD
 Schéma Frigorifique \ Hydraulique
 Cooling \ Hydraulic Diagram

Dessine: CTO
 Date: 11.02.05

LENNOX
 USINE DE LONGVIC

240708 9/11

