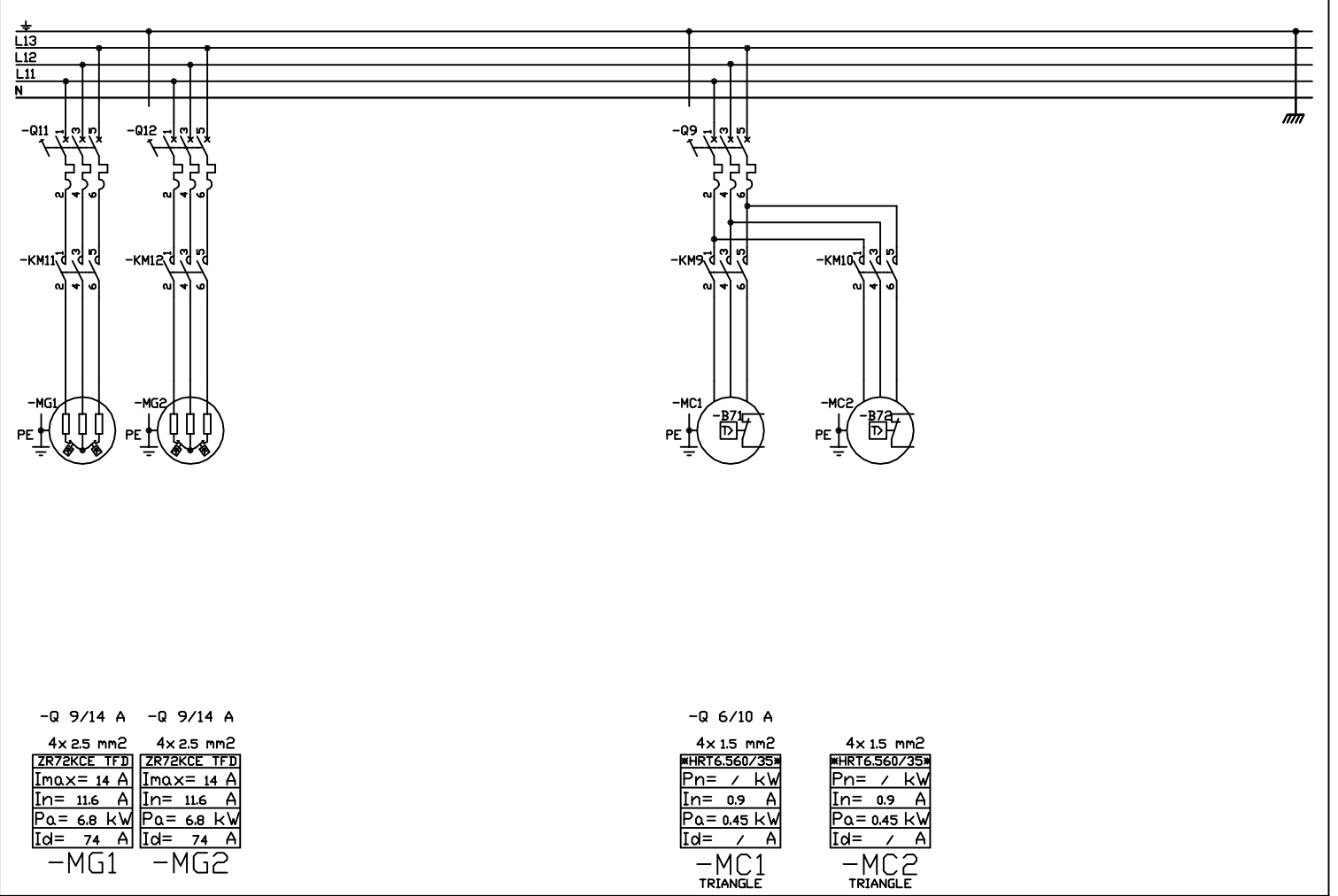
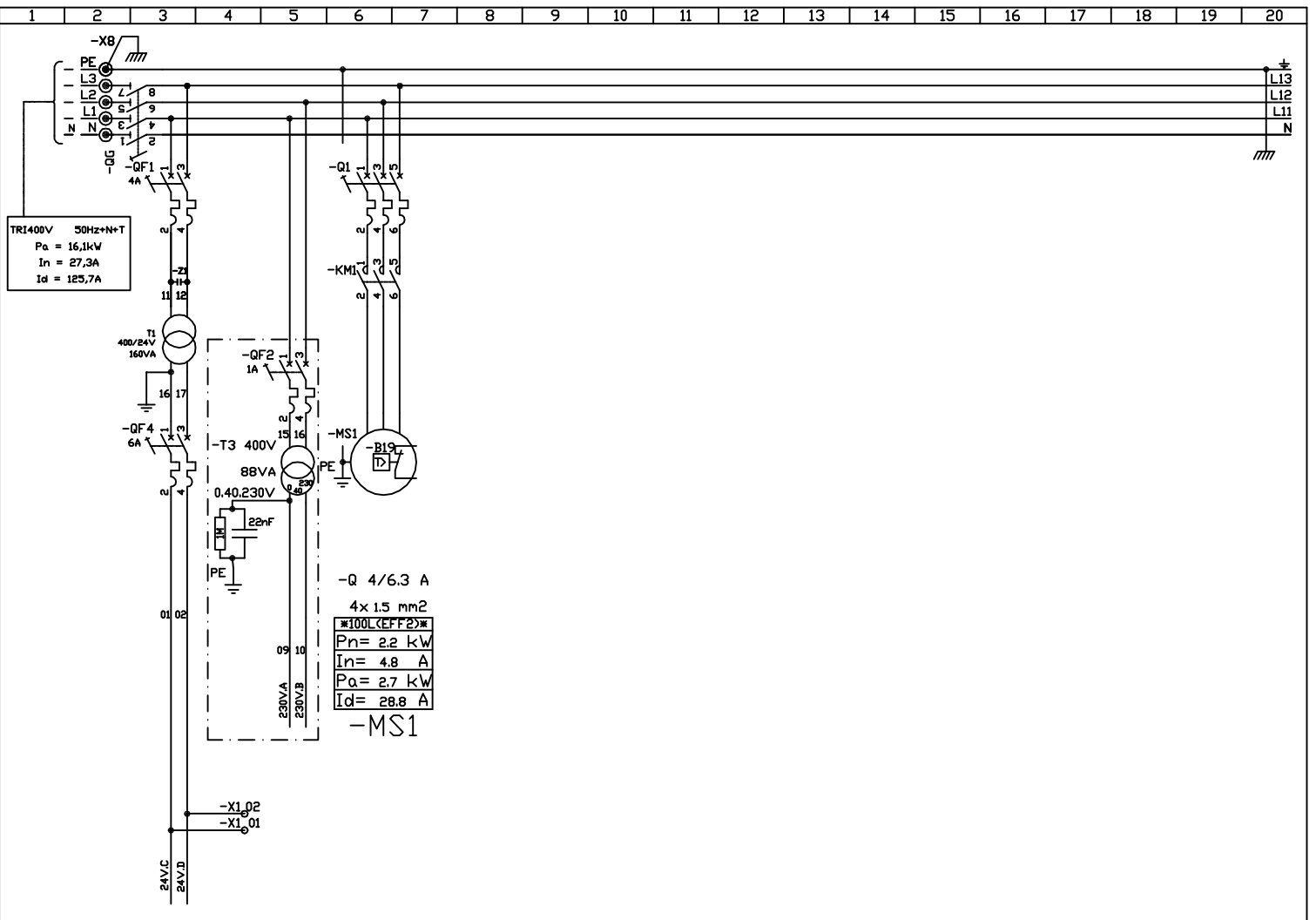
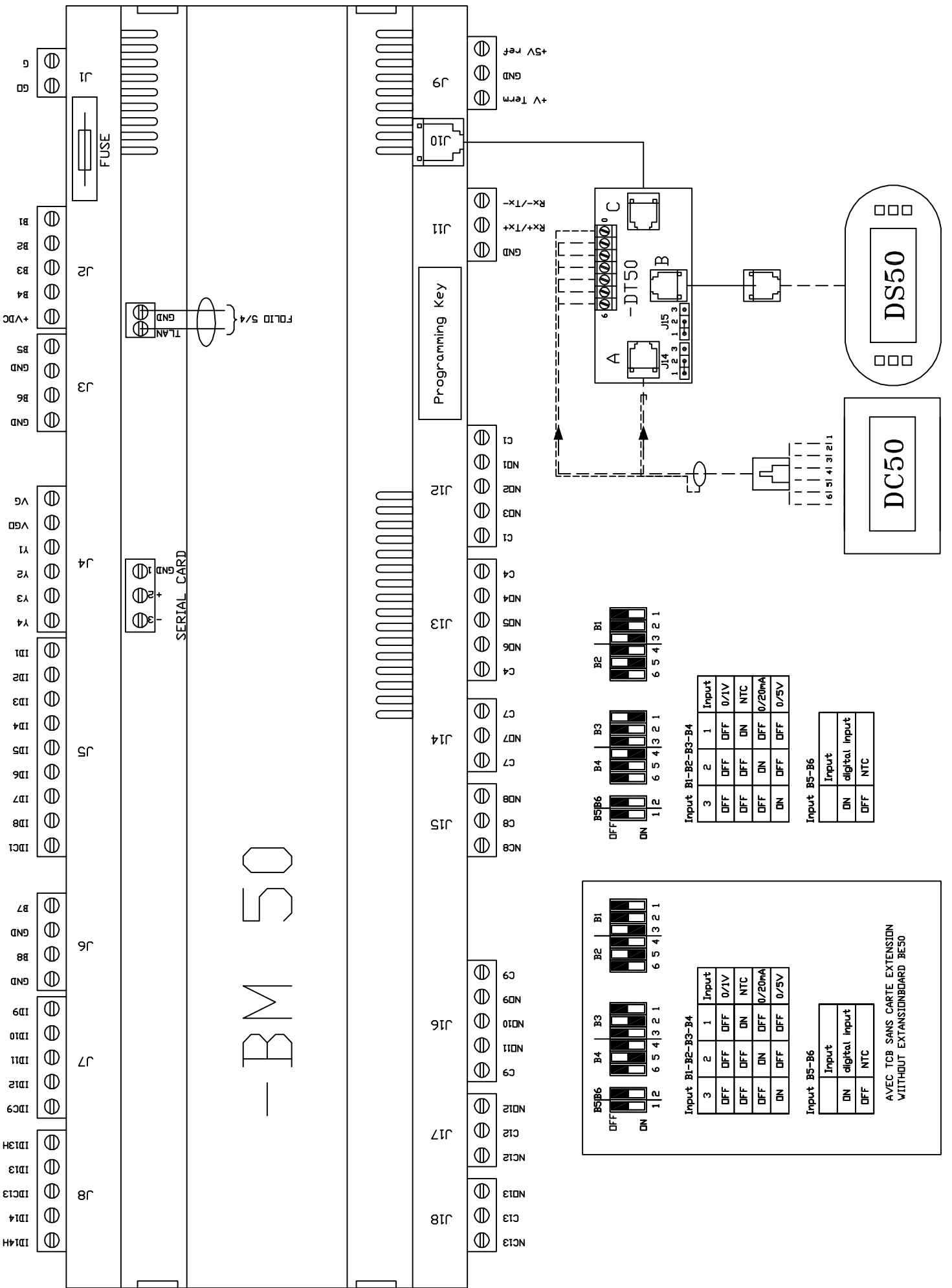


Indice	DATE	NOM	MODIFICATIONS
<b><i>LENNOX</i></b> <sup>®</sup>			
<i>SIAD Farnham</i>			
(2) BGK 030 HD <b>LENNOX UK</b>		Dessine: CTO Date: 03.11.04	PAGE DE GARDE 239110 0/11



# - BM 50



**Input B1-B2-B3-B4**

Input	1	2	3
0/1V	OFF	OFF	OFF
NTC	DN	OFF	OFF
0/20mA	OFF	DN	OFF
0/5V	OFF	OFF	DN

**Input B5-B6**

Input	digital input	NTC
DN	OFF	OFF

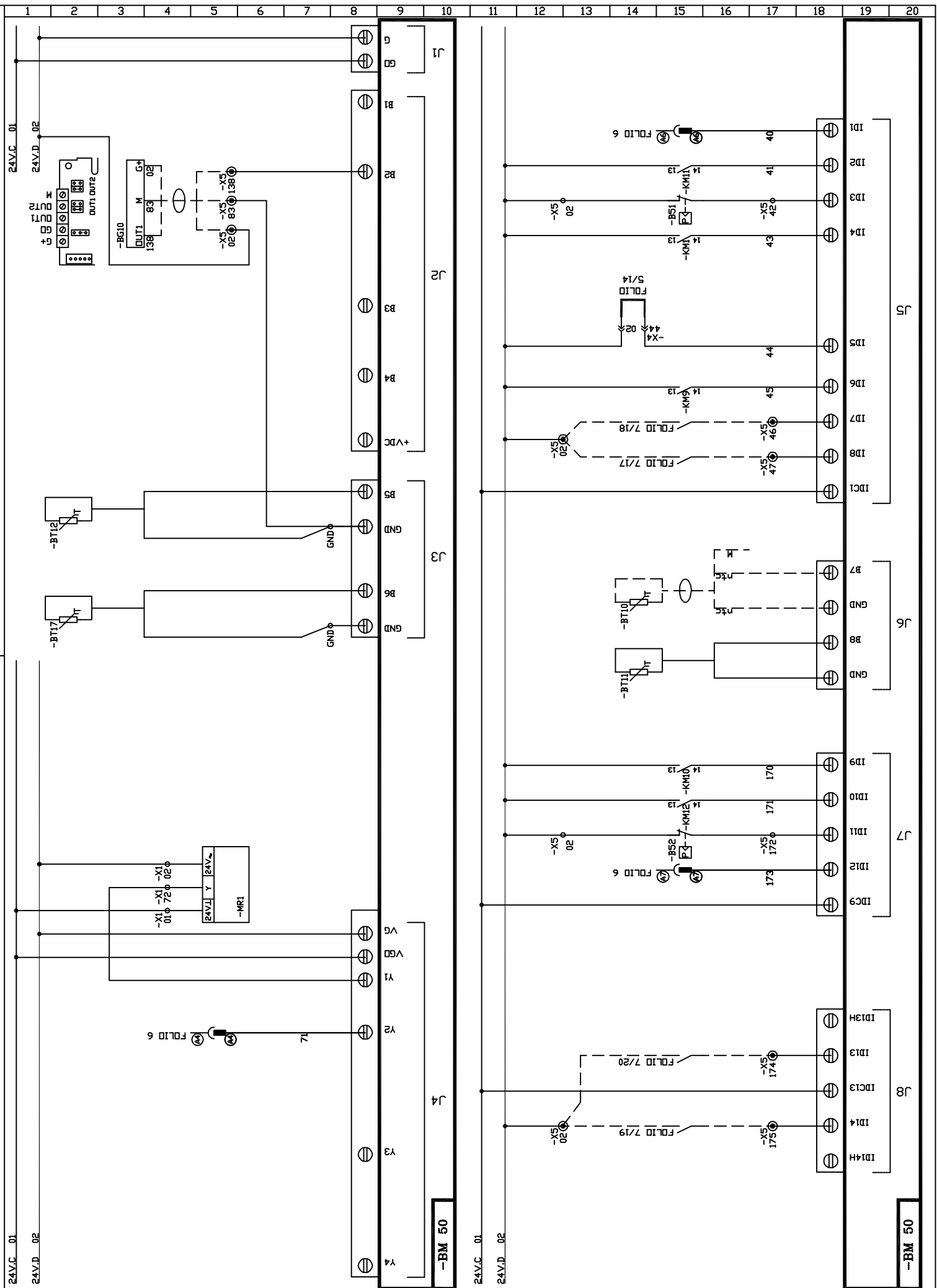
**Input B1-B2-B3-B4**

Input	1	2	3
0/1V	OFF	OFF	OFF
NTC	DN	OFF	OFF
0/20mA	OFF	DN	OFF
0/5V	OFF	OFF	DN

**Input B5-B6**

Input	digital input	NTC
DN	OFF	OFF

AVEC TCB SANS CARTE EXTENSION  
WITHOUT EXTENSIONBOARD BE50



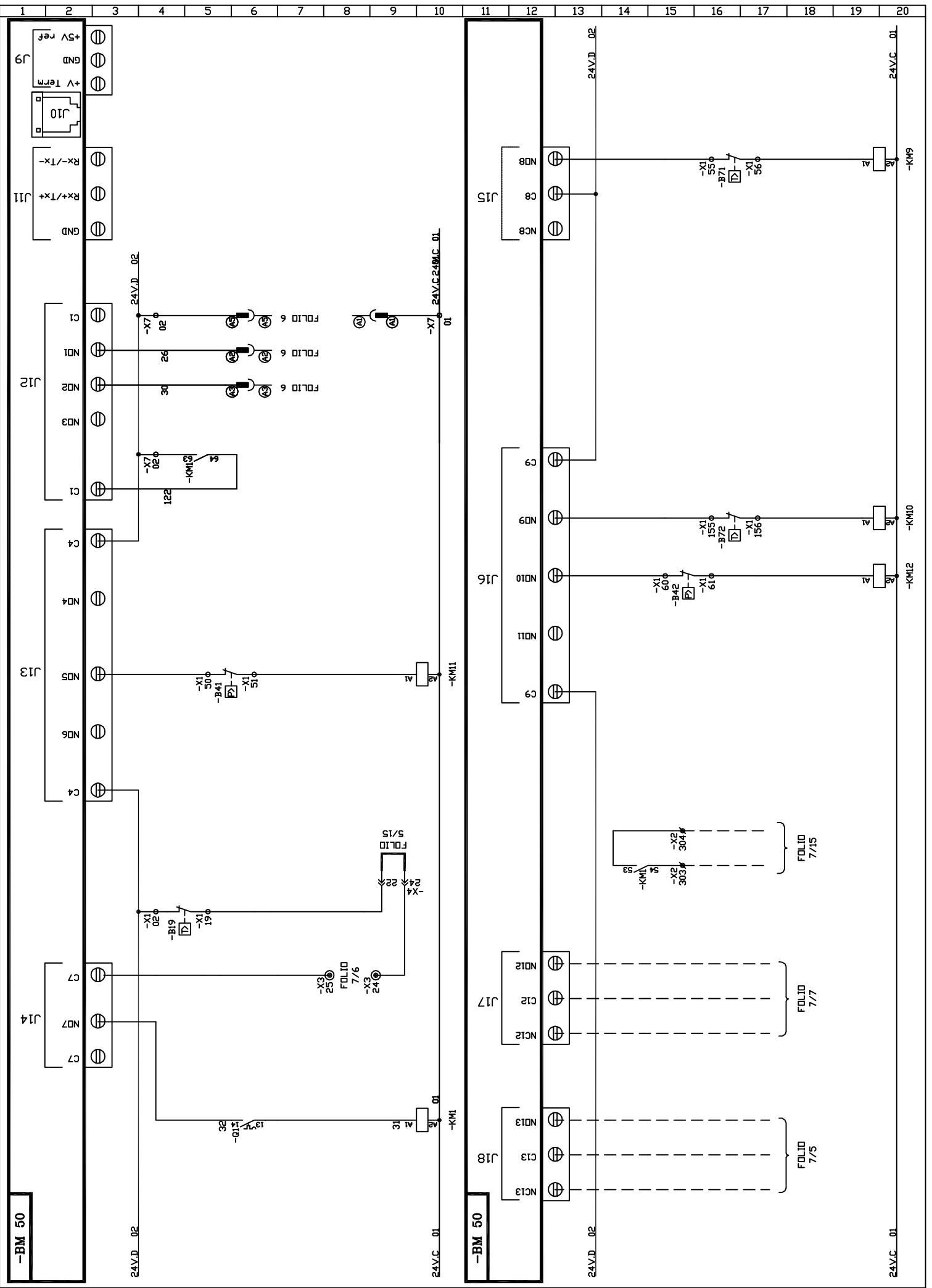
Indice	DATE	NOM	MODIFICATIONS

(2) BG 030 HD  
Entrées Automate CLIMATIC 50  
Climatic 50 Controller Input

Dessine: CTO  
Date: 03.11.04



239110 3/11



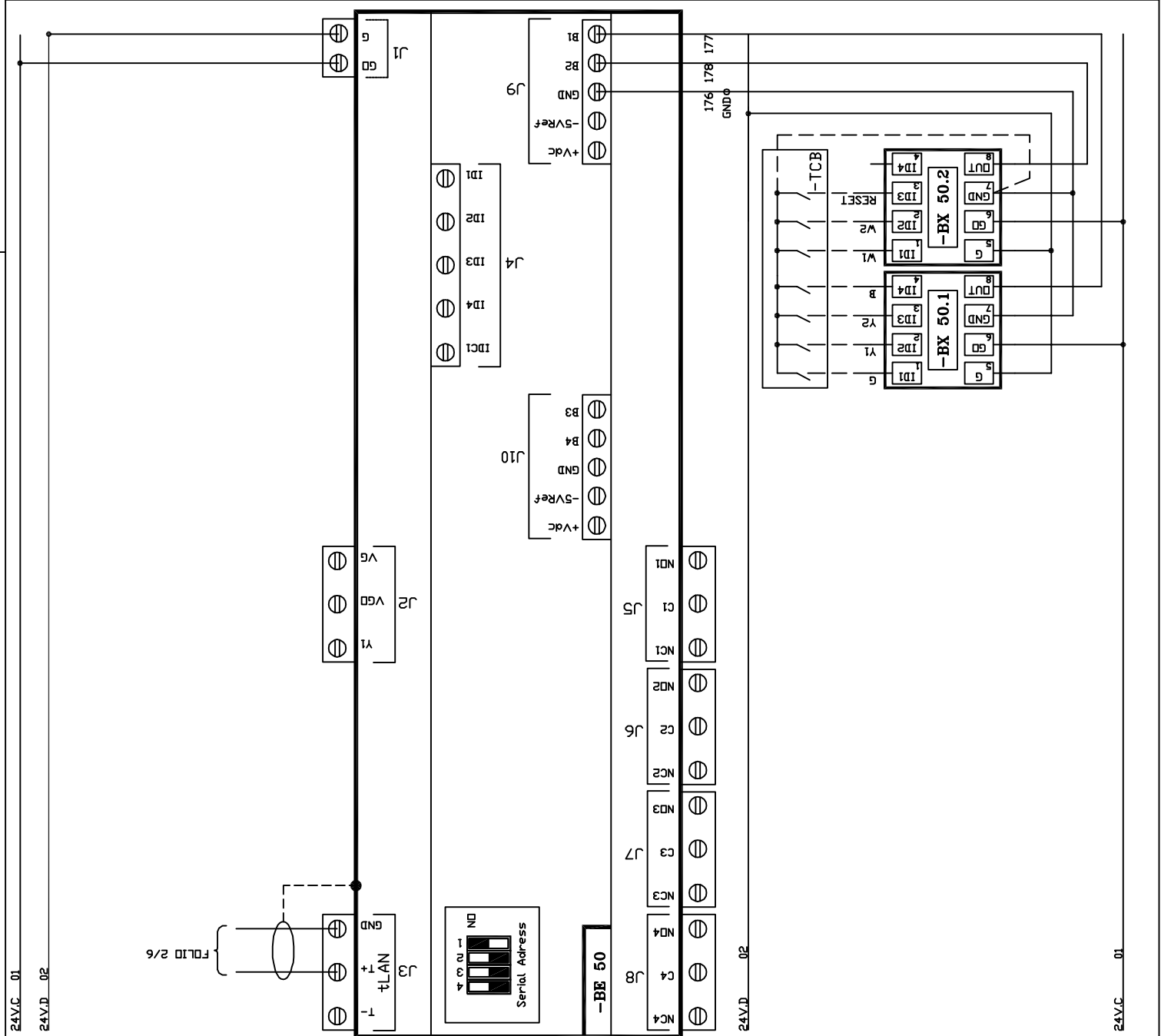
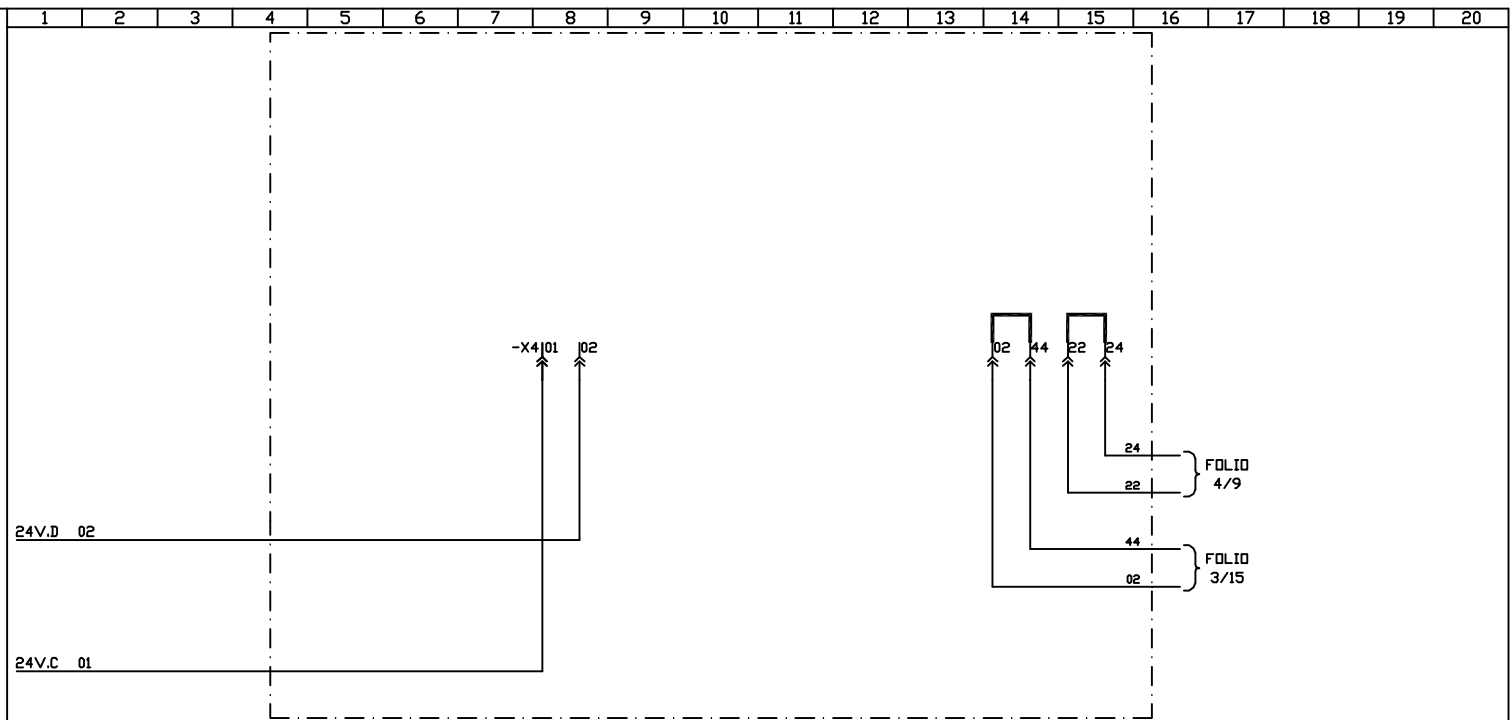
Indice	DATE	NOM	MODIFICATIONS

(2) BGK 030 HD  
Sorties Automate CLIMATIC 50  
Climatic 50 Controller Outputs

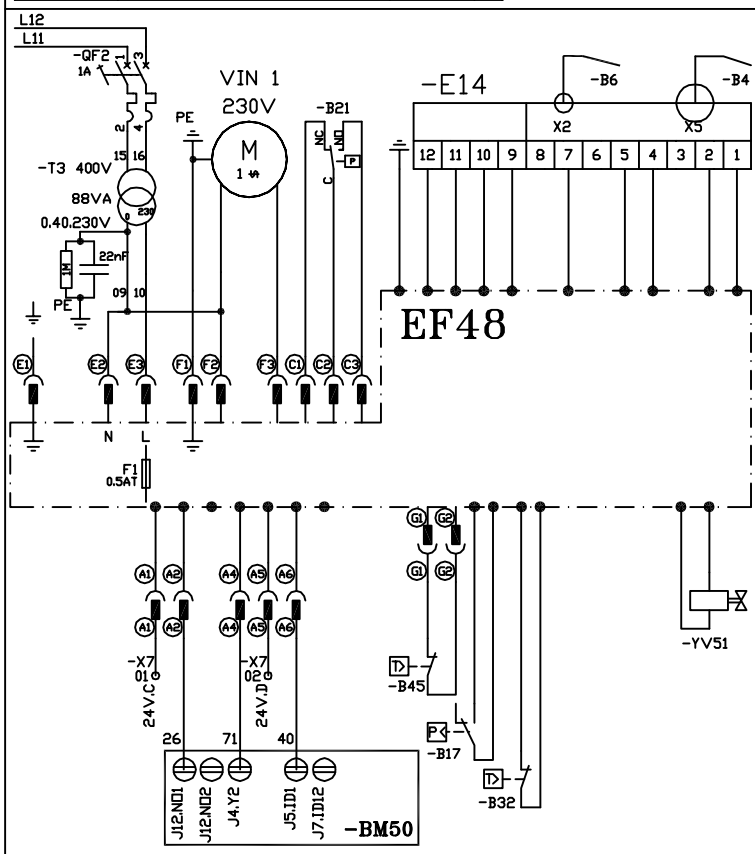
Dessine: CTO  
Date: 03.11.04

**LENNOX**  
USINE DE LONGVIC

239110 4/11



REPERE	REFERENCE	CODE	Nb
-QF2	C60N 1A BIPOL COURBE D	4480589E	1
-T3	88VA 400V/40V/230V	4430131Z	1
-RC	CIRCUIT RC 1MEG0HM - 22nF	4770012Z	1
-EF48	-EF48	4770624Z	1

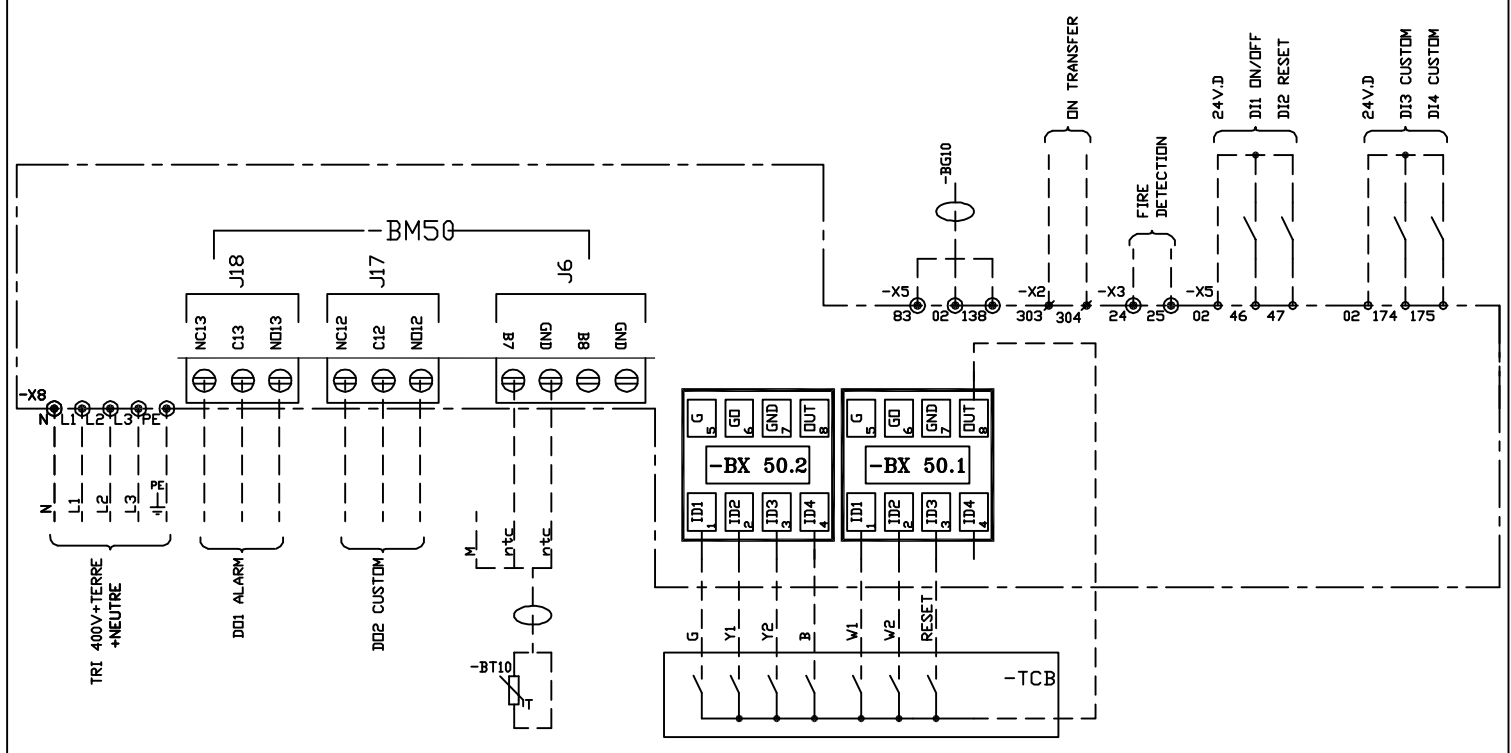
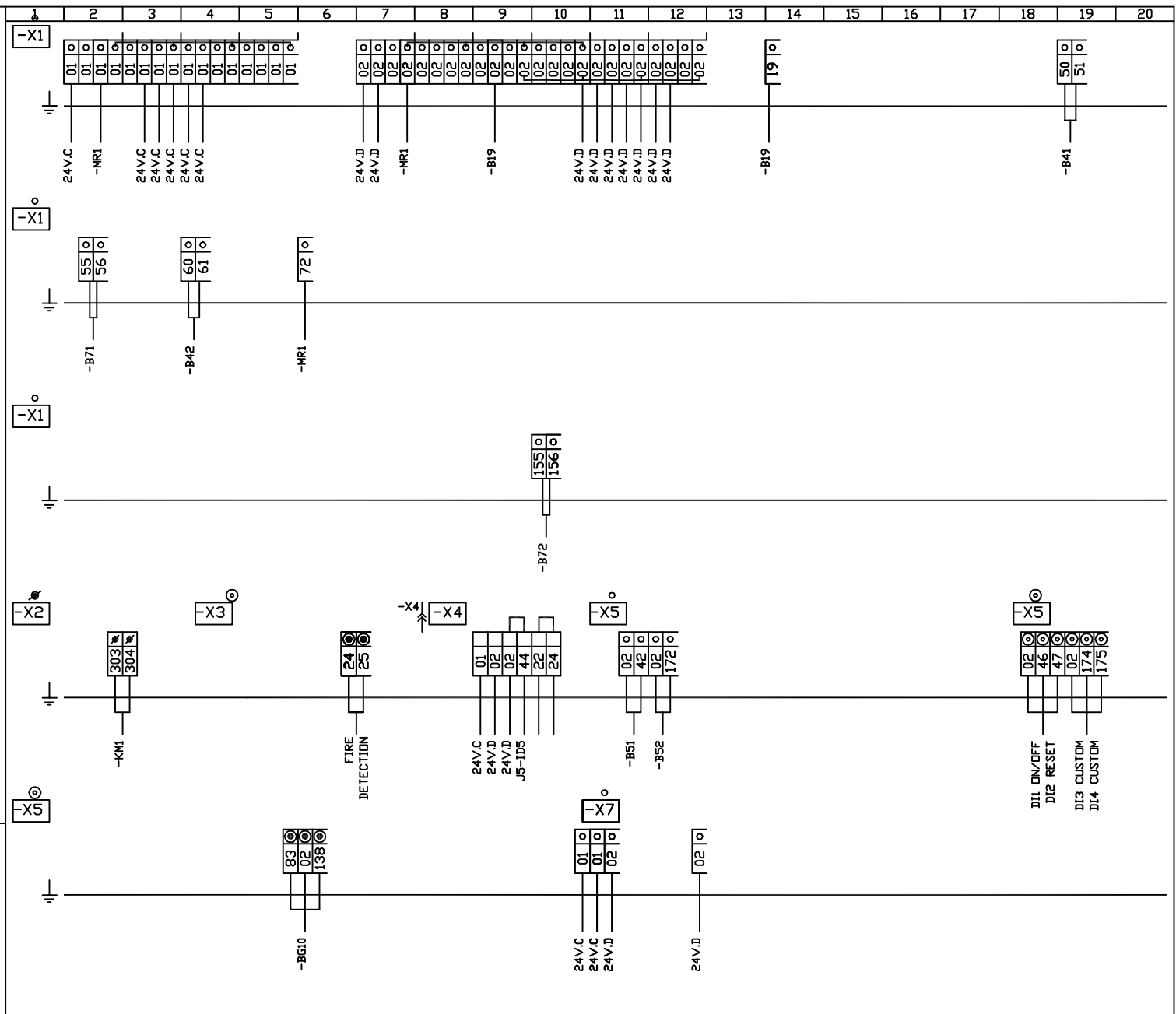


Indice	DATE	NOM	MODIFICATIONS

(2) BGK 030 HD  
Kit chauffage  
GAS

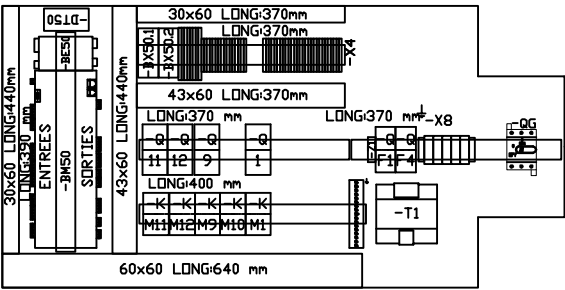
Dessine: CTO  
Date: 03.11.04





Index	DATE	NOM	MODIFICATIONS

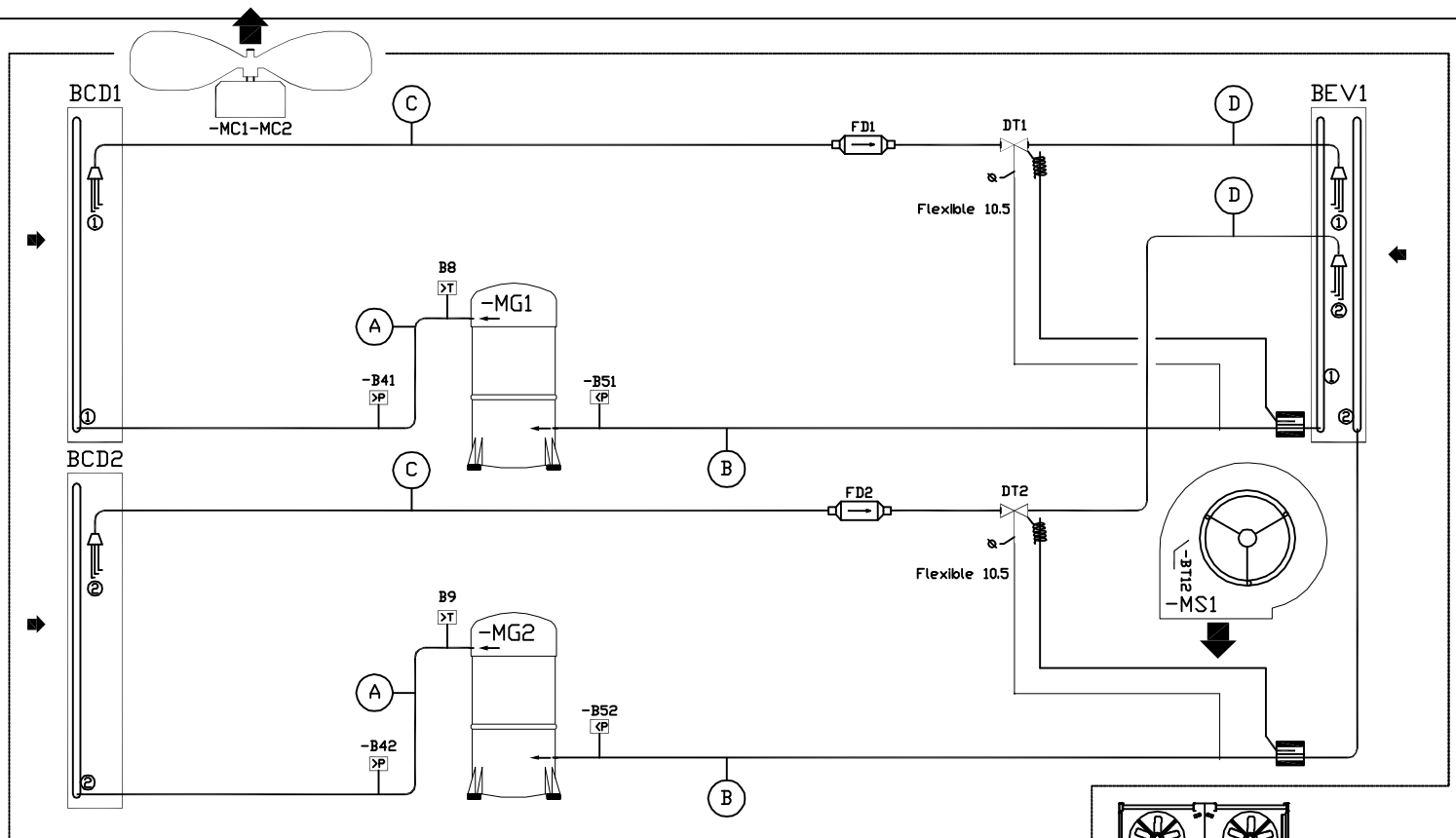




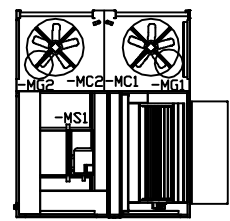
REPERE	REFERENCE	CODE	Nb
-QG	INTER DT 63 E3	4480657E	1
-QG	POIGNEE DE MANOEUVRE OHY2AJ	4480661L	1
-QG	ARBRE DE MANOEUVRE DXS 5x160	4480660J	1
PRDFIL	OMEGA 35x7.5x1.5 LONG:160mm	5740142E	1
BARRETTE	TYPE MG 14979	5470186T	1
-QF1	C60N 24580 1A BIPOL COURBE D	4480589E	1
-QF4	C60N 24584 6A BIPOL COURBE D	4480592J	1
-T1	160VA PRIMAIRE 400V /24V	4430121L	1
-Z1	LRC V2-0.22-220/400V	4770010X	1

REPERE	REFERENCE	CODE	Nb
-Q1	GV2 M10 4/6.3A	4410847R	1
-Q1	GV2 AE 11	4410853Z	1
-KM1	LC1 D09 B7	4410650A	1
-KM1	LA DN40	5410087M	1
-Q11-Q12	GV2 M20 13/18 A	4410850W	2
-KM11-KM12	LC1 D09 B7	4410650A	2
-Q9	GV2 M14 6/10A	4410848T	1
-KM9	LC1 D09 B7	4410650A	1
-KM10	LC1 D09 B7	4410650A	1

REPERE	REFERENCE	CODE	Nb
-BM50	CLIMATIC 50	4770608A	1
-BE50	Extension CLIMATIC 50	4770615M	1
-BX50	MULTIPLEXEUR TCB	4770616N	2
-DT50	-DT50	4770623Y	1
BORNIER	D2.5/5.SNBT.2L ORANGE	5470163K	2
	PLAQUE DE FERMETURE FED5.2L	5470512X	1
	D2.5/5.2L GRISE	5470200N	3
	PLAQUE DE FERMETURE FED5.2L	5470235P	1
	D2.5/5.4L GRISE 24V.C.D	5470270R	16
	PLAQUE DE FERMETURE FED5.4L	5470273V	1
	LIAISON 4 POLES BJDLS.4	5470275Y	2
BORNIER-X8			
	M35/16	5470212H	1
	M35/16	5470204V	3
	PLAQUE DE FERMETURE	5470237T	1
BUTEE	103 002 26	5470240X	2
-Q11-Q12	GV2 M20 13/18 A	4410850W	2
-KM11-KM12	LC1 D09 B7	4410650A	2
-Q9	GV2 M14 6/10A	4410848T	1
-KM9	LC1 D09 B7	4410650A	1
-KM10	LC1 D09 B7	4410650A	1



BOX	30/35	40	-MG1	45	-MG2	50	60	70
D	5/8"	5/8"	5/8"	7/8"	7/8"	7/8"	7/8"	7/8"
C	1/2"	1/2"	1/2"	5/8"	5/8"	5/8"	5/8"	5/8"
B	7/8"	1 1/8"	1 1/8"	1 1/8"	1 1/8"	1 3/8"	1 3/8"	1 3/8"
A	5/8"	7/8"	7/8"	7/8"	7/8"	7/8"	7/8"	7/8"



Indice	DATE	NOM	MODIFICATIONS

(2) B GK 030 HD  
 Schéma Frigorifique \ Hydraulique  
 Cooling \ Hydraulic Diagram

Dessine: CTO  
 Date: 03.11.04

**LENNOX**  
 USINE DE LONGVIC

239110 9/11



