
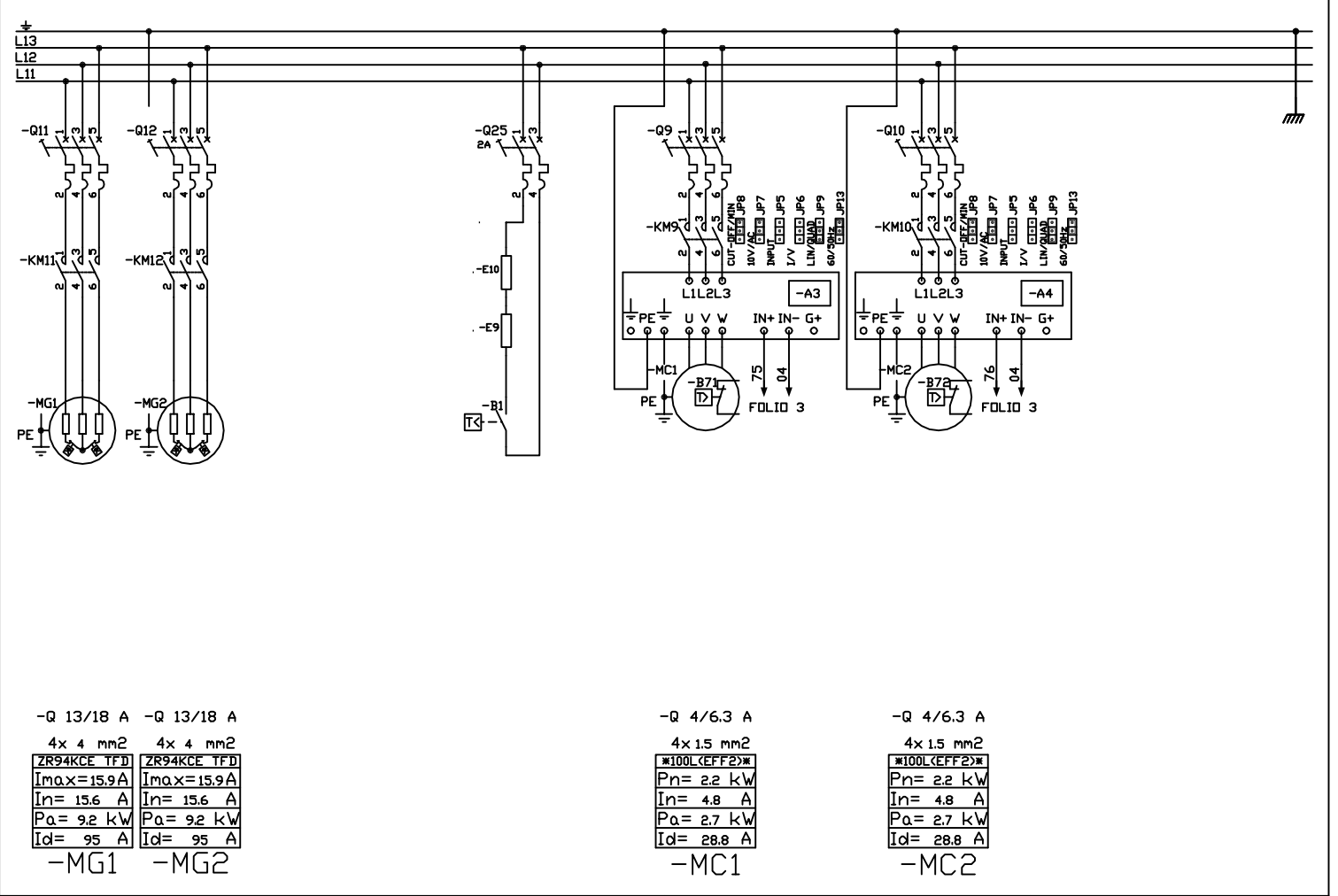
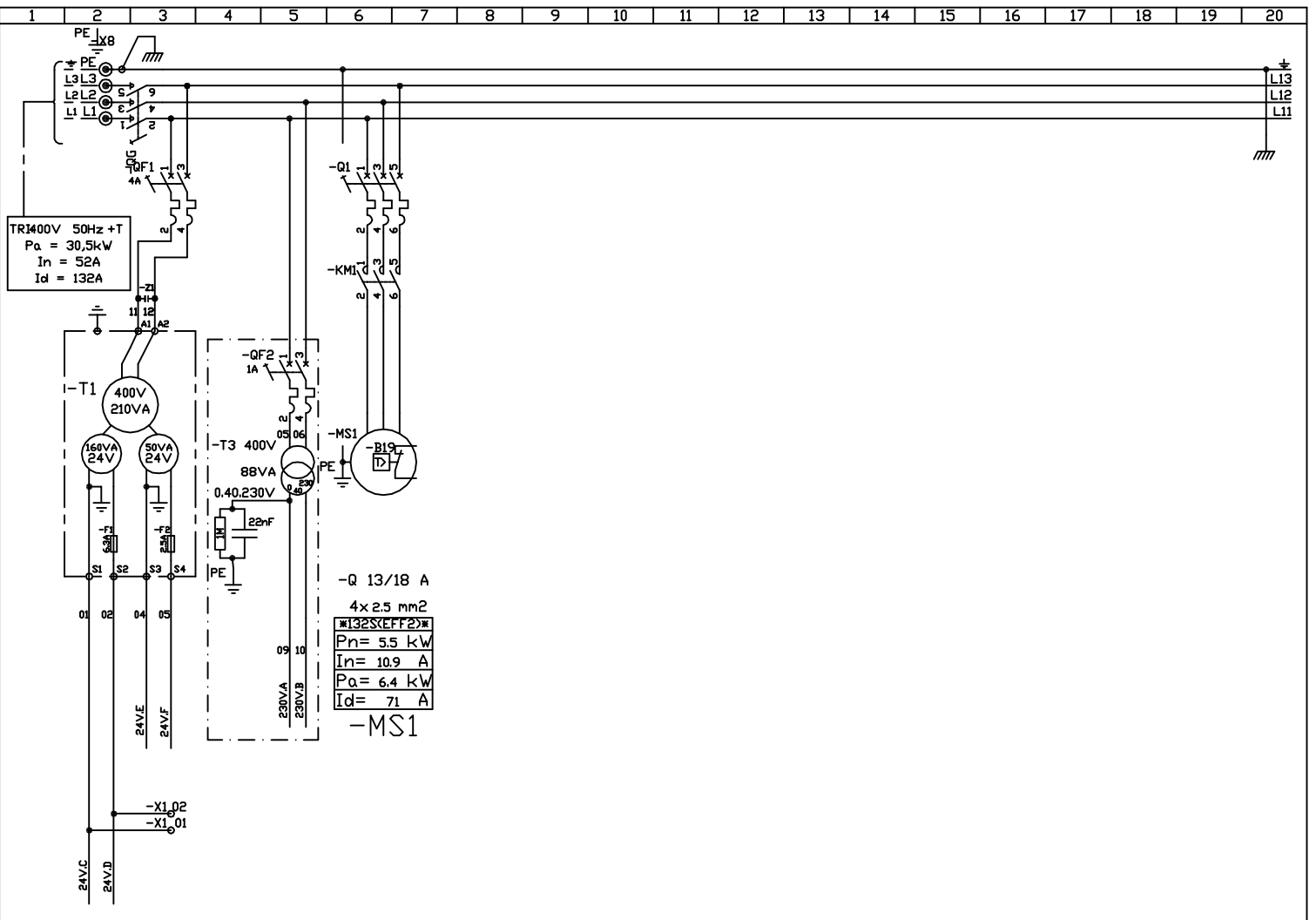


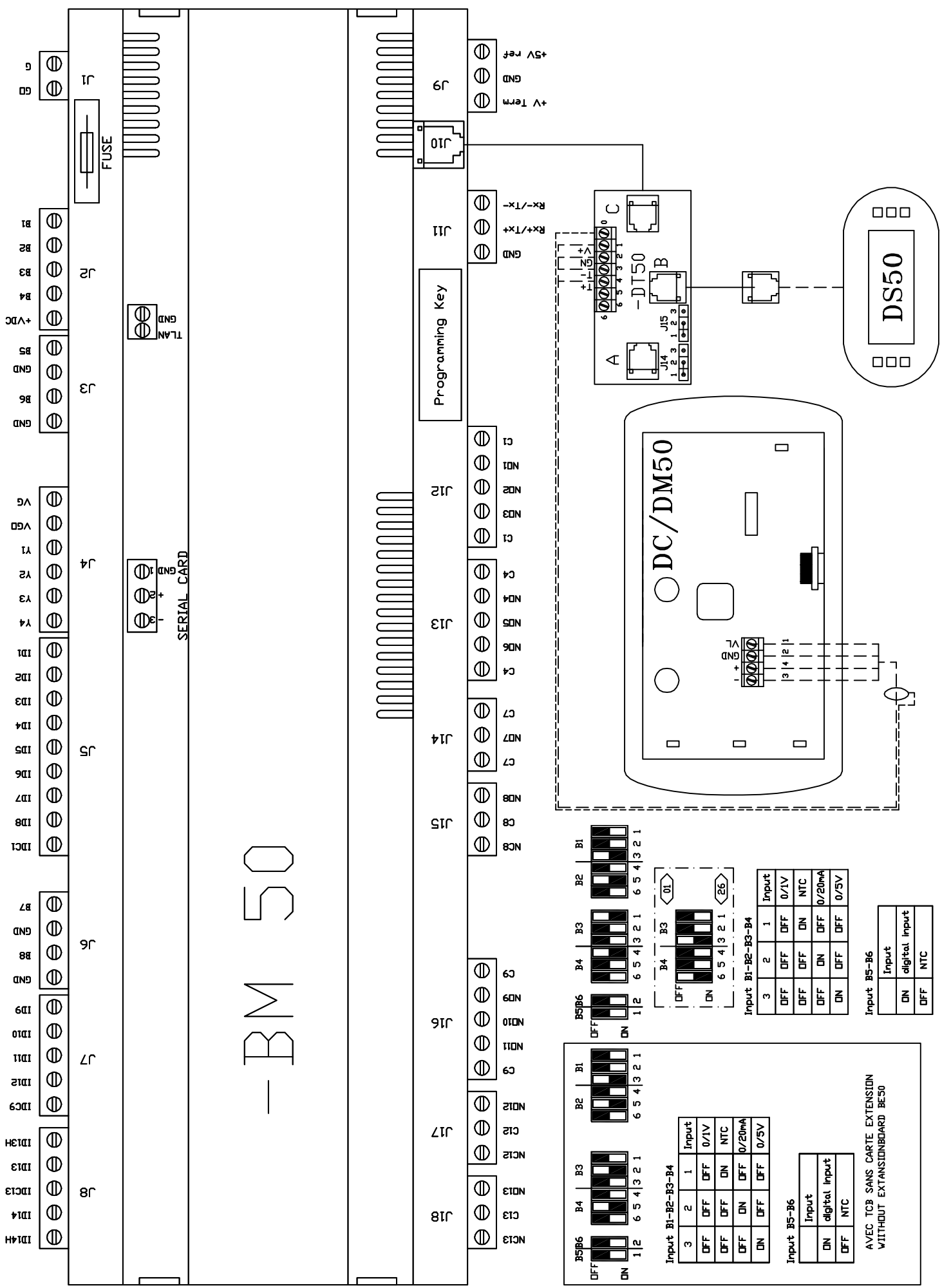
Indice	DATE	NOM	MODIFICATIONS
			
<i>School Dining Hall</i>			
(2) BDK 050 HD LENNOX UK		Dessine: T/Y Date: 24.08.07	PAGE DE GARDE <div style="border: 1px solid black; padding: 2px;">256484</div> <div style="border: 1px solid black; padding: 2px;">0 / 11</div>



-Q 13/18 A	-Q 13/18 A
4x 4 mm ²	4x 4 mm ²
ZR94KCE TFD	ZR94KCE TFD
Imax=15.9 A	Imax=15.9 A
In= 15.6 A	In= 15.6 A
Pa= 9.2 kW	Pa= 9.2 kW
Id= 95 A	Id= 95 A
-MG1	-MG2

-Q 4/6.3 A
4x 1.5 mm ²
100L<EFF2>
Pn= 2.2 kW
In= 4.8 A
Pa= 2.7 kW
Id= 28.8 A
-MC1

-Q 4/6.3 A
4x 1.5 mm ²
100L<EFF2>
Pn= 2.2 kW
In= 4.8 A
Pa= 2.7 kW
Id= 28.8 A
-MC2



Indice	DATE	NOM	MODIFICATIONS

(2) BDK 050 HD
Automate CLIMATIC 50
Climatic 50 Controller

Dessine: T/Y
Date: 24.08.07



256484 2/11

Input B1-B2-B3-B4

1	2	3	Input
OFF	OFF	OFF	0/1V
OFF	OFF	OFF	NTC
OFF	DN	OFF	0/20mA
DN	OFF	OFF	0/5V

Input B5-B6

Input	digital input	NTC
DN	OFF	OFF

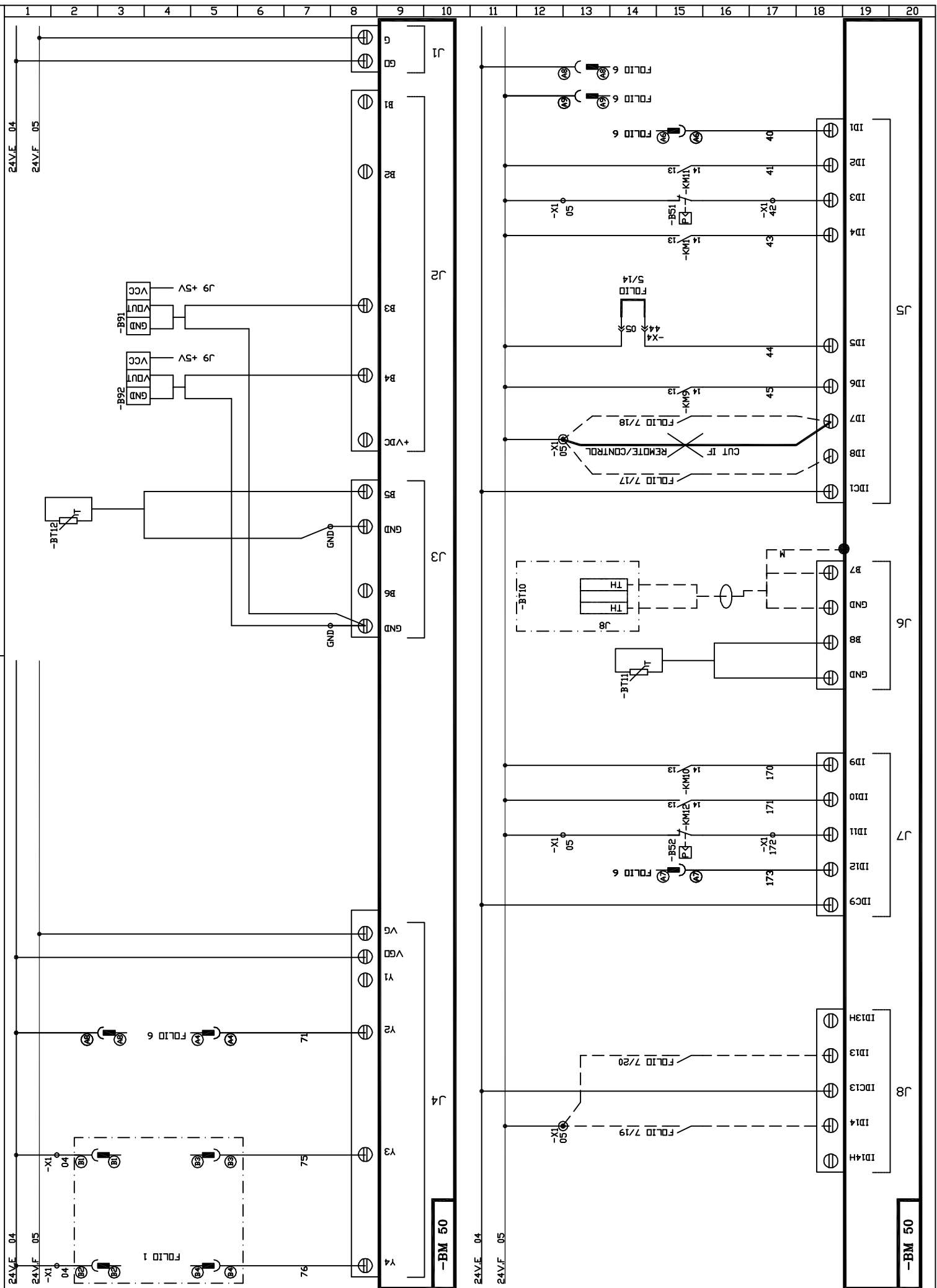
AVEC TCB SANS CARTE EXTENSION
WITHOUT EXTENSIONBOARD BE50

Input B1-B2-B3-B4

1	2	3	Input
OFF	OFF	OFF	0/1V
OFF	OFF	OFF	NTC
OFF	DN	OFF	0/20mA
DN	OFF	OFF	0/5V

Input B5-B6

Input	digital input	NTC
DN	OFF	OFF



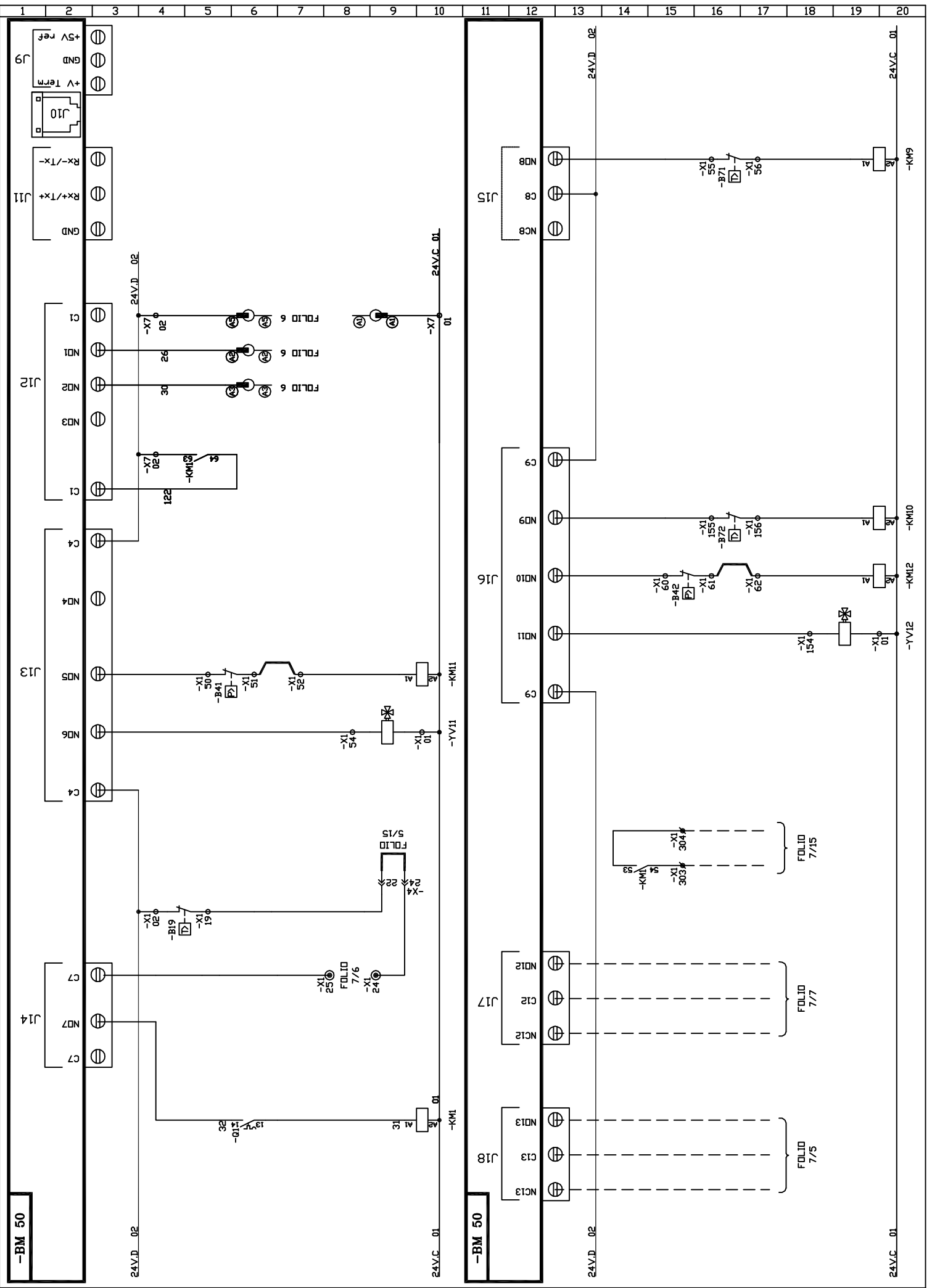
Indice	DATE	NOM	MODIFICATIONS

(2) BDK 050 HD
 Entrées Automate CLIMATIC 50
 Climatic 50 Controller Input

Dessine: T/Y
 Date: 24.08.07



256484 3/11



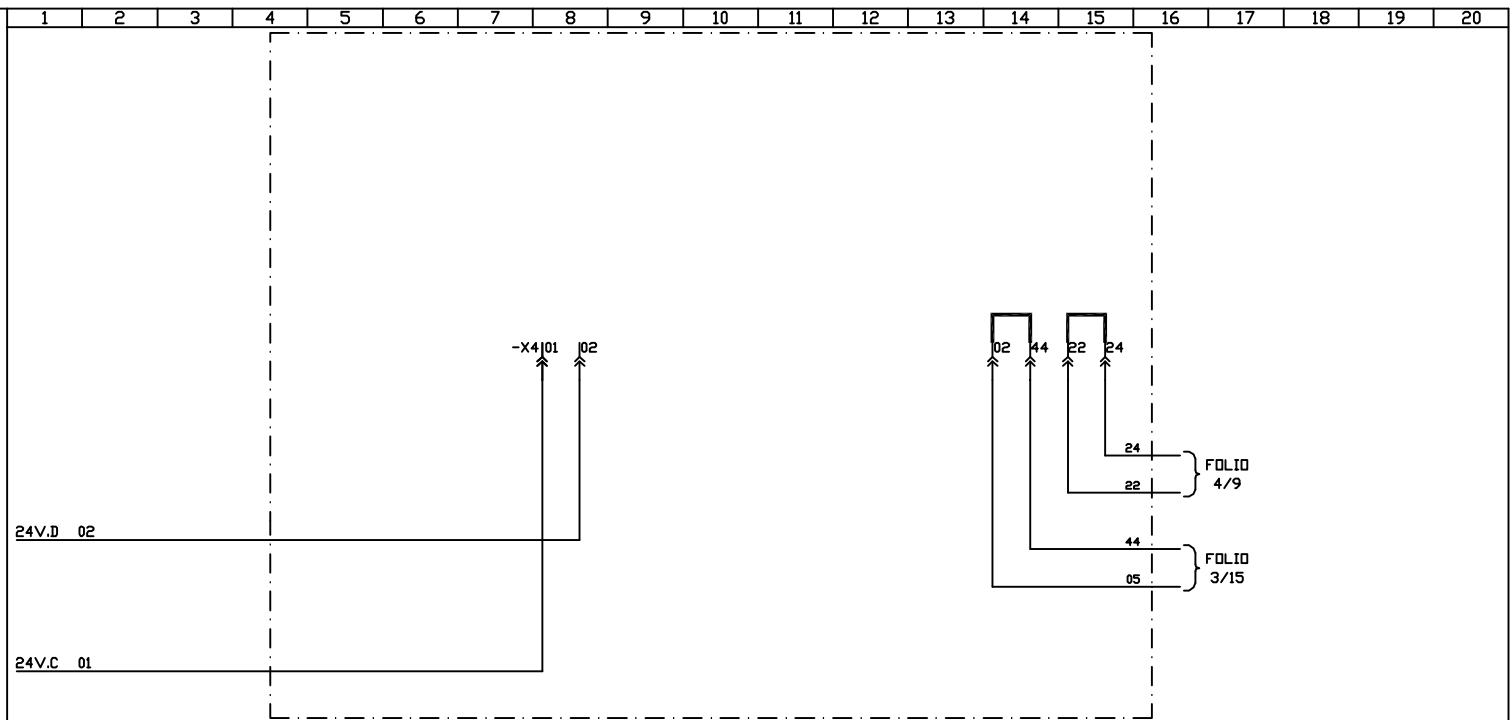
Indice	DATE	NOM	MODIFICATIONS

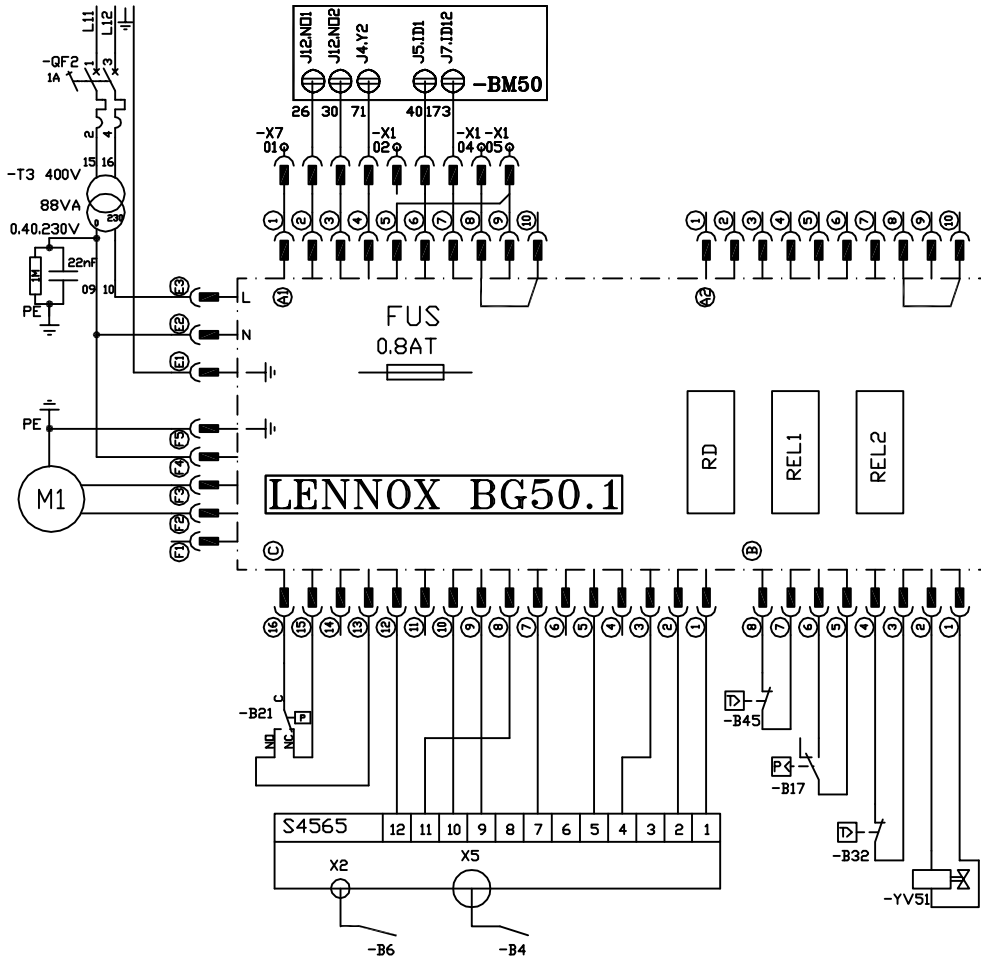
(2) BDK 050 HD
Sorties Automate CLIMATIC 50
Climatic 50 Controller Outputs

Dessine: T/Y
Date: 24.08.07



256484 4/11





REFERE	REFERENCE	CODE	Nb
-QF2	C60N 1A BIPOL COURBE D	4480589E	1
-T3	88VA 400V/40V/230V	4430131Z	1
-RC	CIRCUIT RC 1MEGDHM - 22nF	4770012Z	1
BG50	BG50	4770634P	1

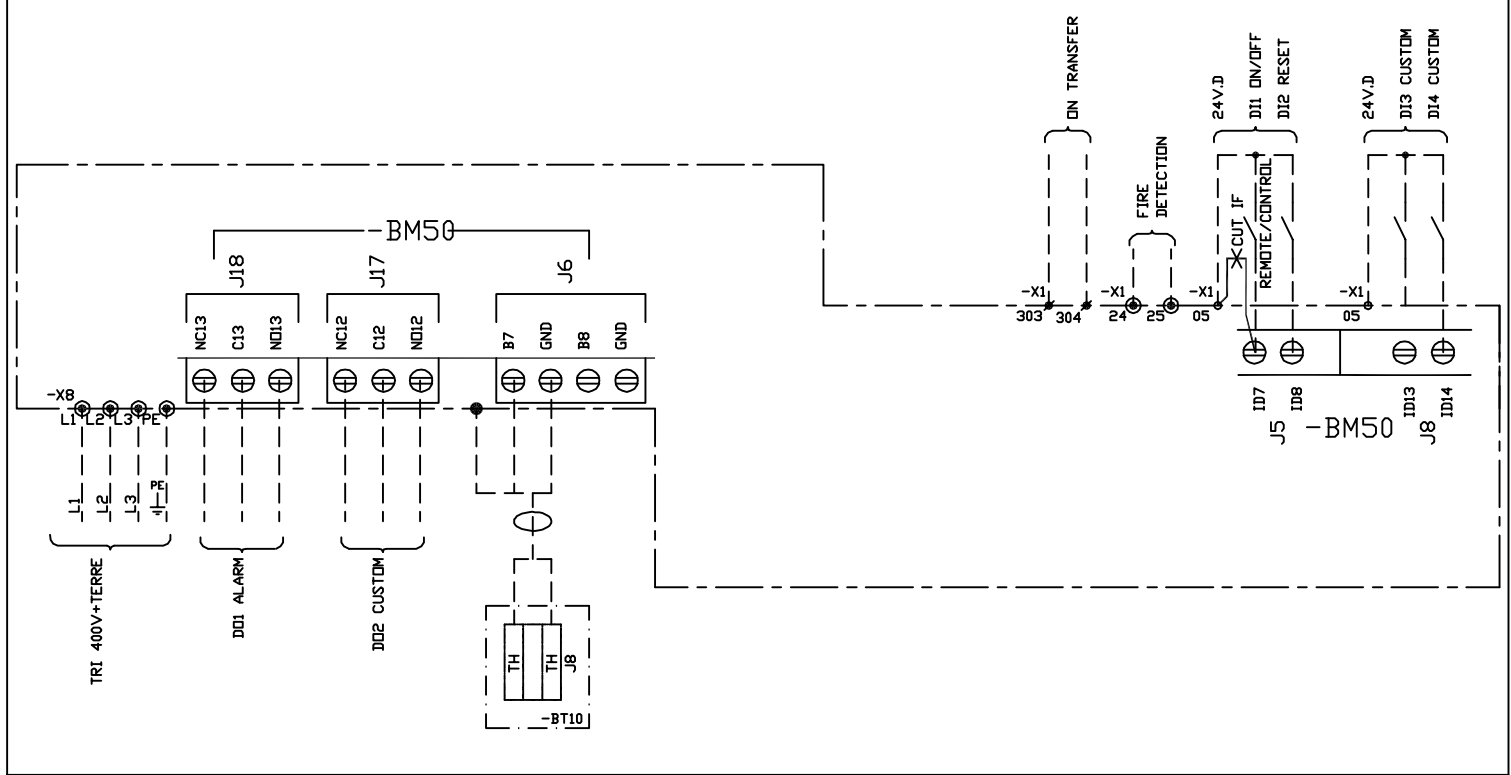
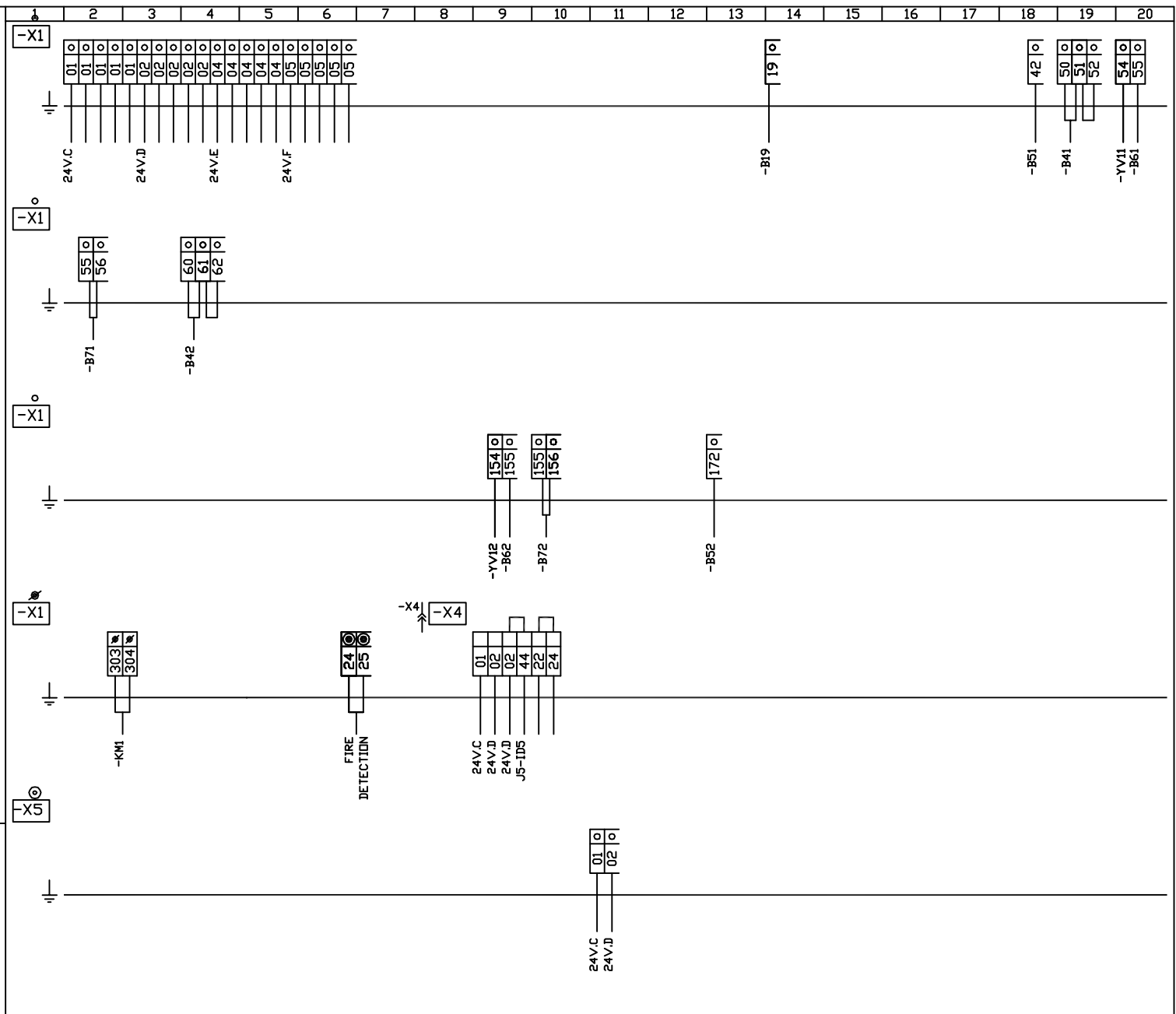
Indice	DATE	NOM	MODIFICATIONS

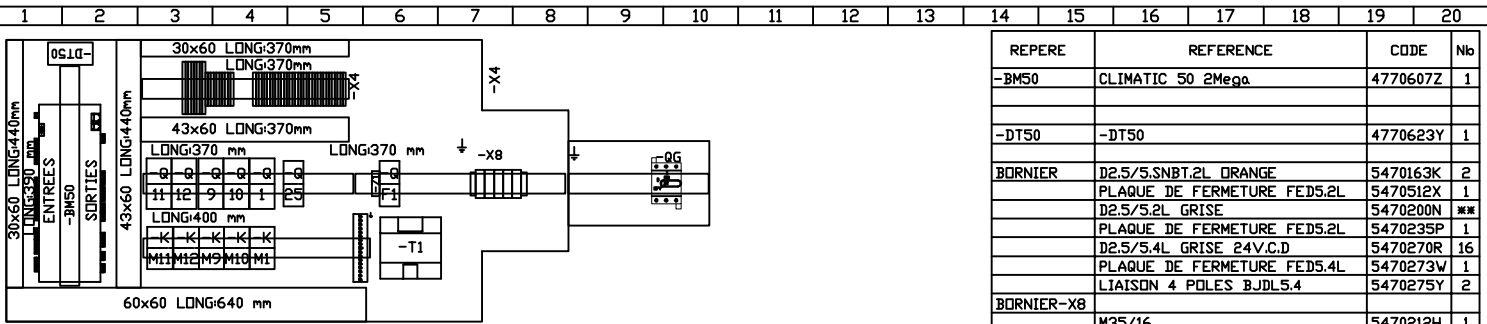
(2) BDK 050 HD
Kit chauffage
GAS

Dessine: T/Y
Date: 24.08.07



256484 6/11

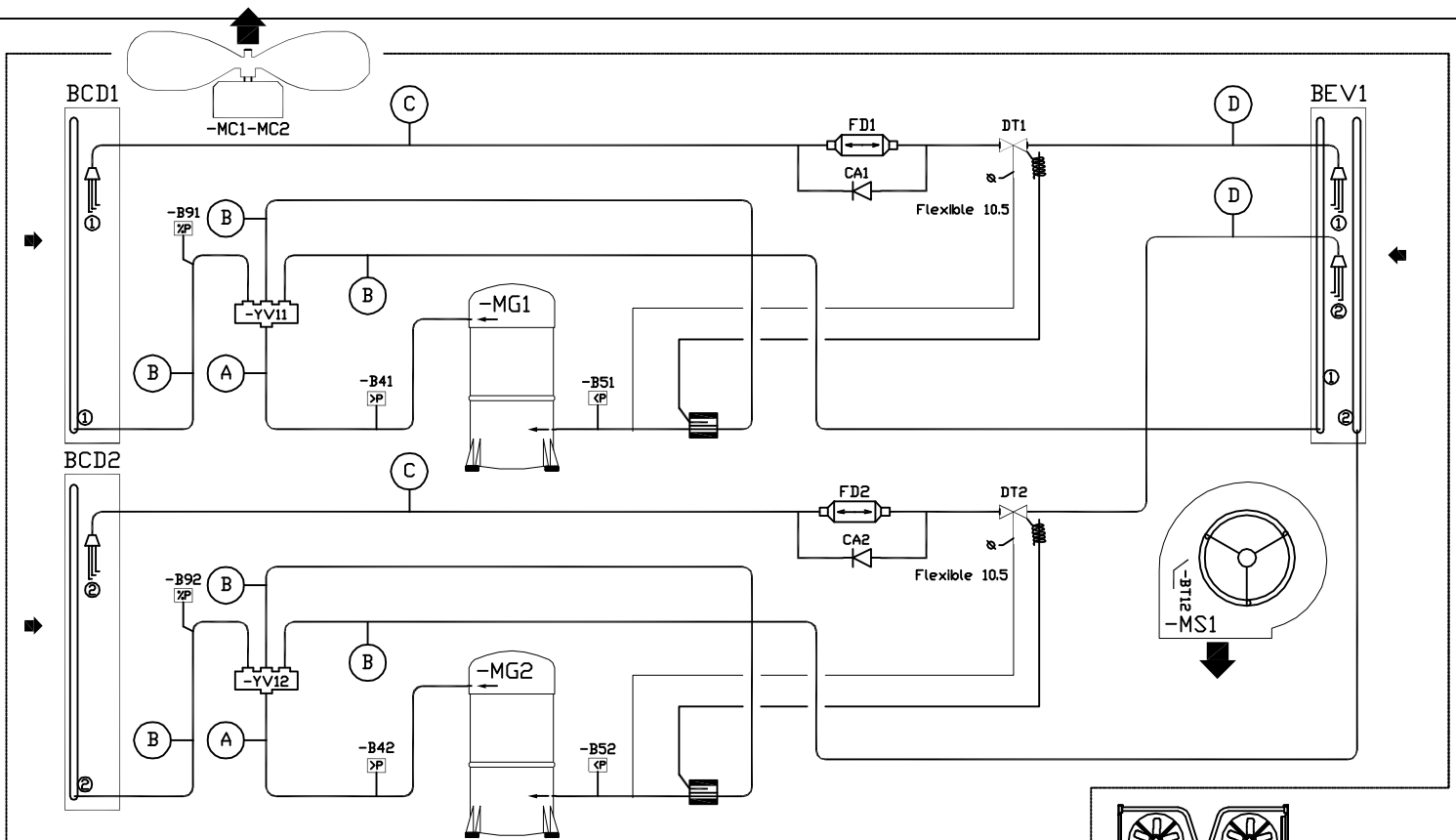




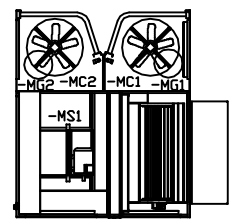
REPERE	REFERENCE	CODE	Nb
-QG	INTER DT 63 E3	4480657E	1
-QG	POIGNEE DE MANOEUVRE DHY2AJ	4480661L	1
-QG	ARBRE DE MANOEUVRE DXS 5x160	4480660J	1
PRDFIL	OMEGA 35x7.5x1.5 LONG:160mm	5740142E	1
BARRETTE	TYPE MG 14979	5470186T	1
-QF1	C60N 24583 4A BIPOL COURBE D	4480591H	1
-T1	210VA 400V/24V/24V	4430135H	1
-Z1	LRC V2-0.22-220/400V	4770010X	1

REPERE	REFERENCE	CODE	Nb
-Q1	GV2 M20 13/18 A	4410850W	1
-Q1	GV2 AE 113	4410891J	1
-KM1	LC1 D12 B7	4410651E	1
-KM1	LA DN403	5410092V	1

REPERE	REFERENCE	CODE	Nb
-BMS0	CLIMATIC 50 2Mega	4770607Z	1
-DT50	-DT50	4770623Y	1
BORNIER	D2.5/5.SNBT.2L ORANGE	5470163K	2
	PLAQUE DE FERMETURE FED5.2L	5470512X	1
	D2.5/5.2L GRISE	5470200N	1
	PLAQUE DE FERMETURE FED5.2L	5470235P	1
	D2.5/5.4L GRISE 24V.C.D	5470270R	16
	PLAQUE DE FERMETURE FED5.4L	5470273V	1
	LIAISON 4 POLES BJDLS.4	5470275Y	2
BORNIER-X8			
	M35/16	5470212H	1
	M35/16	5470204V	3
	PLAQUE DE FERMETURE	5470237T	1
BUTEE	103 002 26	5470240X	2
-Q25	C60N 2A BIPOL COURBE D	4480474K	1
-Q11-Q12	GV2 M203 13/18 A	4410883W	2
-KM1-KM2	LC1 D123 B7	4410651E	2
-Q9	GV2 M14 4/6.3A	4410847R	1
-KM9	LC1 D09 B7	4410650A	1
-Q10	GV2 M14 4/6.3A	4410847R	1
-KM10	LC1 D09 B7	4410650A	1



BDX	30/35	40	-MG1	45	-MG2	50	60	70
D	5/8"	5/8"	5/8"	7/8"	7/8"	7/8"	7/8"	7/8"
C	1/2"	1/2"	1/2"	5/8"	5/8"	5/8"	5/8"	5/8"
B	7/8"	1 1/8"	1 1/8"	1 1/8"	1 1/8"	1 1/8"	1 1/8"	1 3/8"
A	5/8"	7/8"	7/8"	7/8"	7/8"	7/8"	7/8"	7/8"



Indice	DATE	NOM	MODIFICATIONS

(2) BDK 050 HD
 Schéma Frigorifique \ Hydraulique
 Cooling \ Hydraulic Diagram

Dessine: T/Y
 Date: 24.08.07



256484 9/11

