
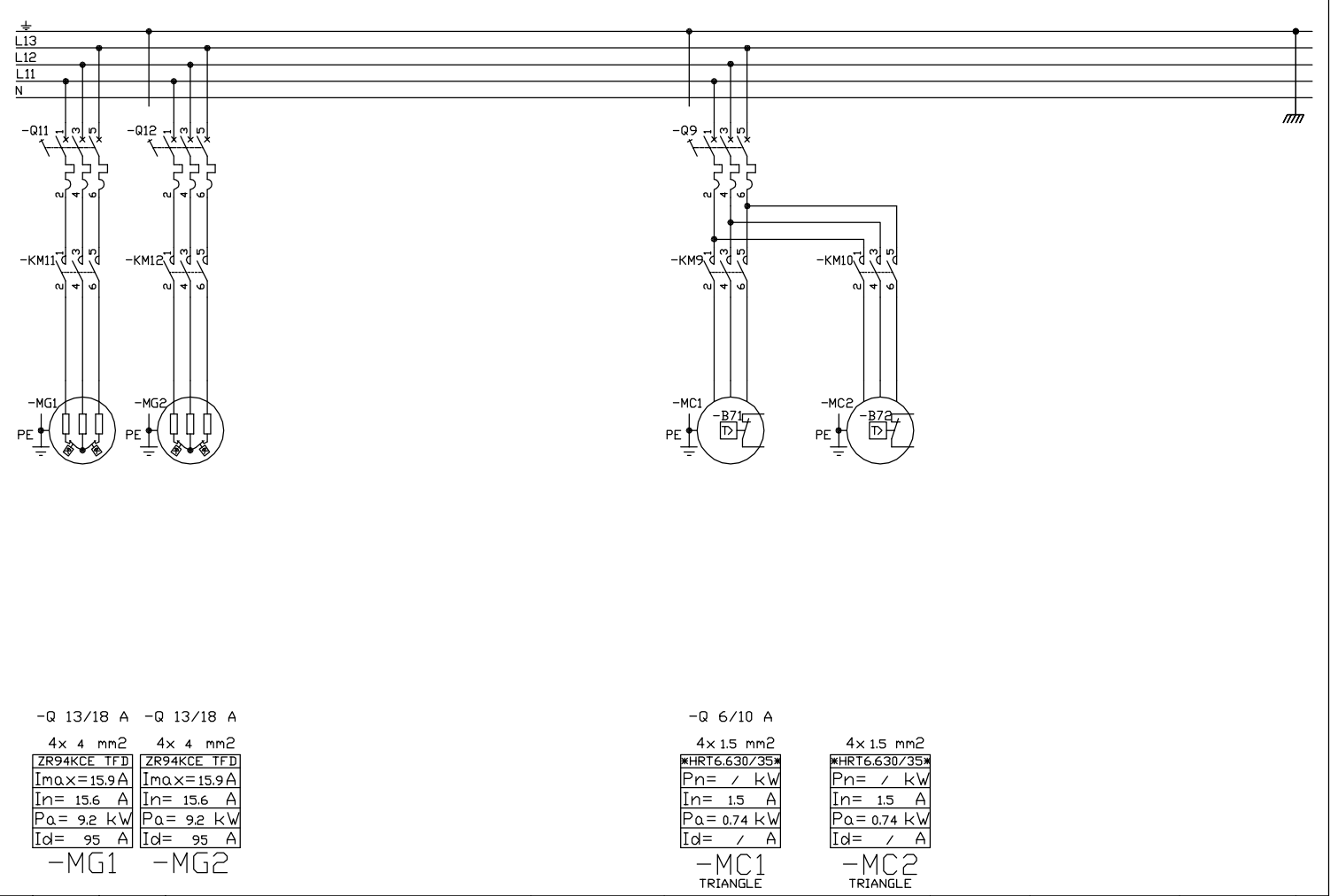
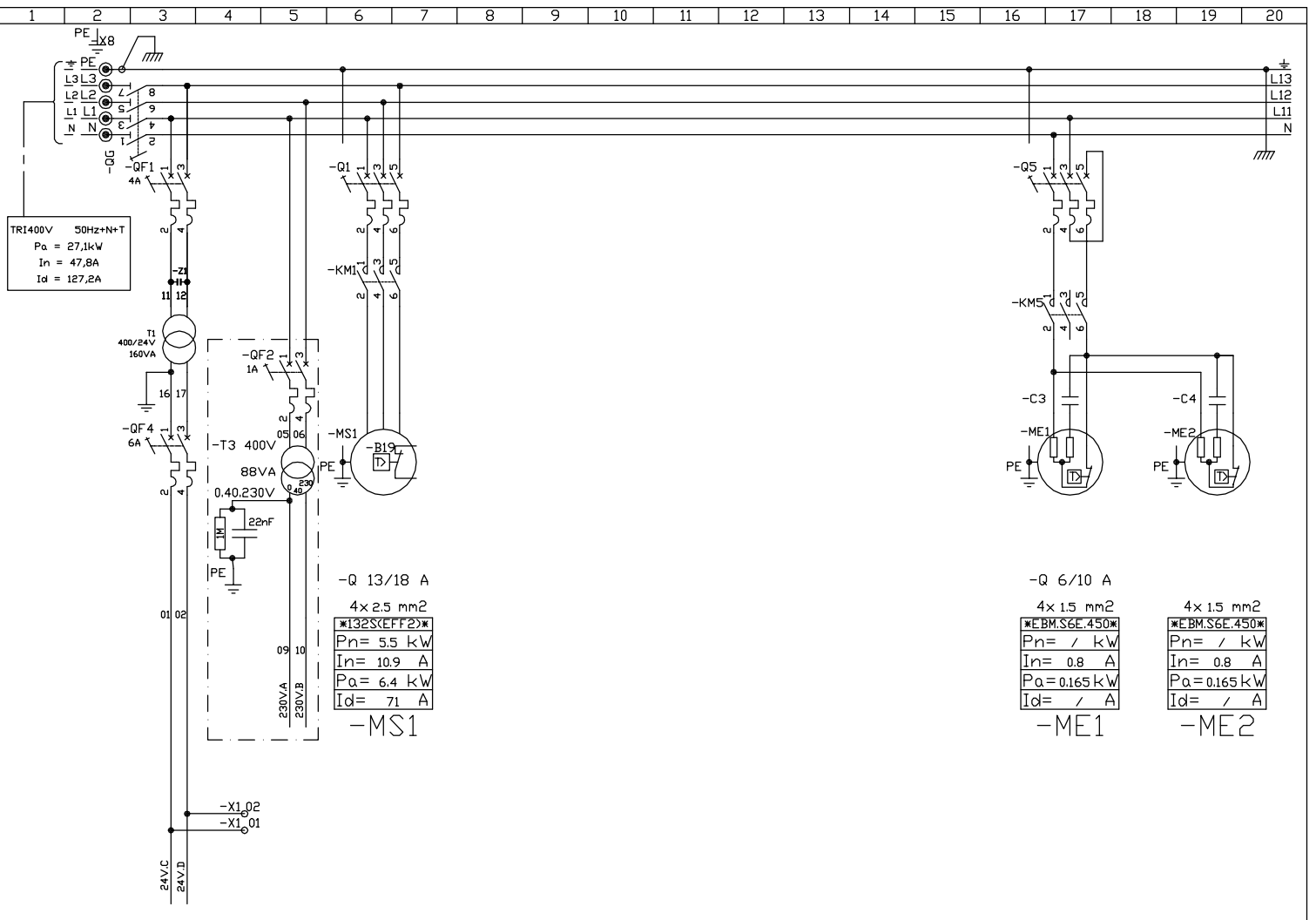
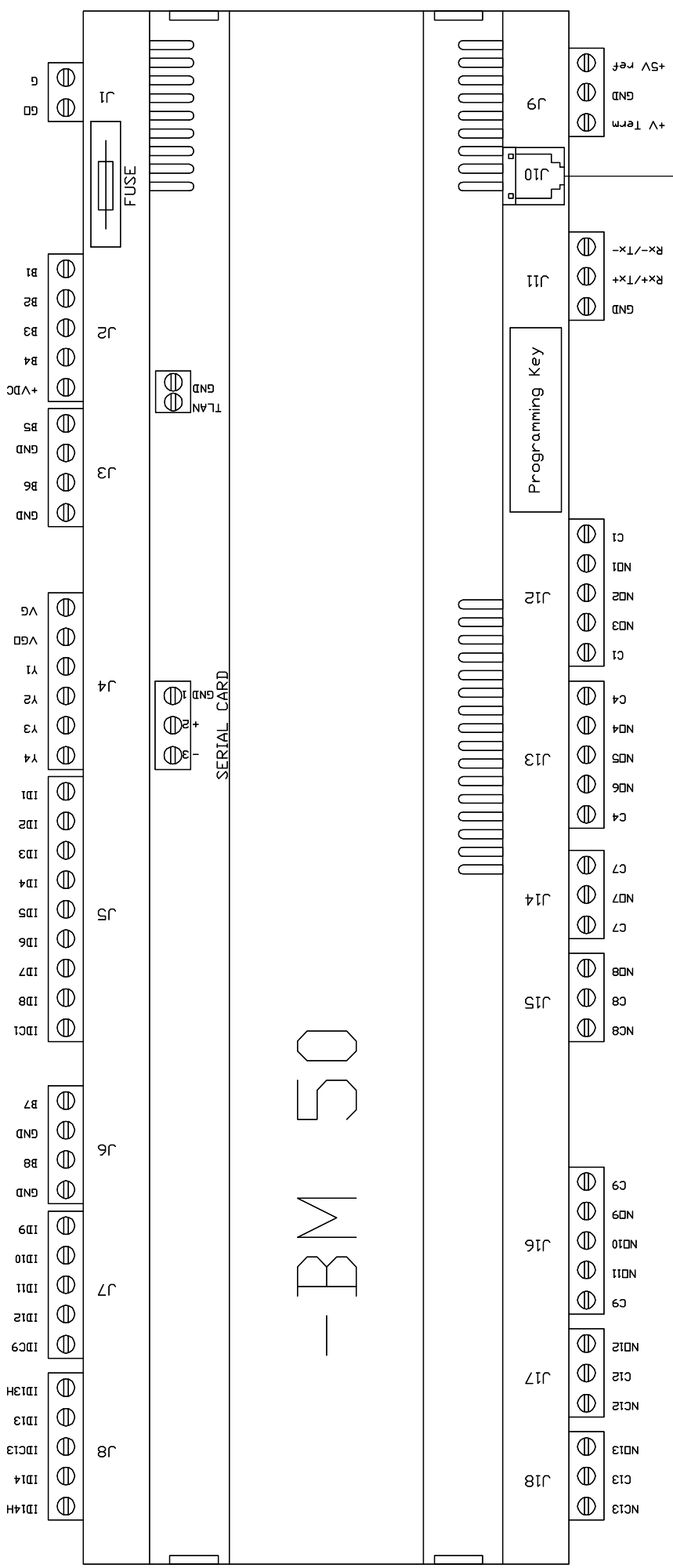


Indice	DATE	NOM	MODIFICATIONS
			
<i>Pizza Hut Dunstable</i>			
(1) BDK 050 HD <b>LENNOX UK</b>	Dessine: T/Y	PAGE DE GARDE	251034
	Date: 18.10.06		0 / 11

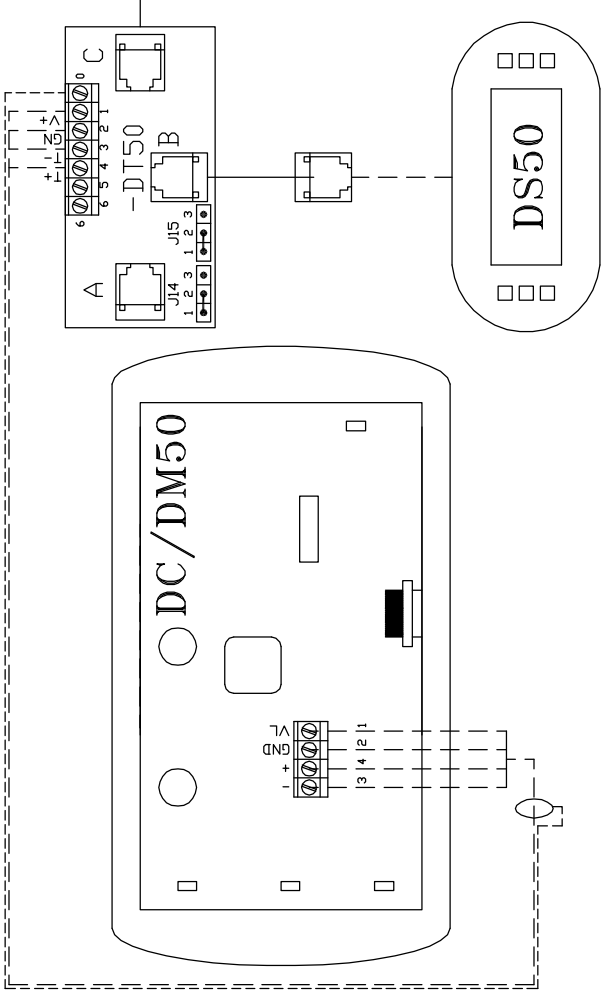


-Q 13/18 A	-Q 13/18 A
4x 4 mm <sup>2</sup>	4x 4 mm <sup>2</sup>
ZR94KCE TFD	ZR94KCE TFD
Imax=15.9 A	Imax=15.9 A
In=15.6 A	In=15.6 A
Pa=9.2 kW	Pa=9.2 kW
Id=95 A	Id=95 A
-MG1	-MG2

-Q 6/10 A	-Q 6/10 A
4x 1.5 mm <sup>2</sup>	4x 1.5 mm <sup>2</sup>
HRT6.630/35	HRT6.630/35
Pn= / kW	Pn= / kW
In=1.5 A	In=1.5 A
Pa=0.74 kW	Pa=0.74 kW
Id= / A	Id= / A
-MC1	-MC2
TRIANGLE	TRIANGLE



# - BM 50



**Input B1-B2-B3-B4**

	1	Input
OFF	OFF	0/1V
DN	DN	NTC
DN	DN	0/20mA
DN	DN	0/5V

**Input B5-B6**

Input	digital input	NTC
DN	DN	OFF

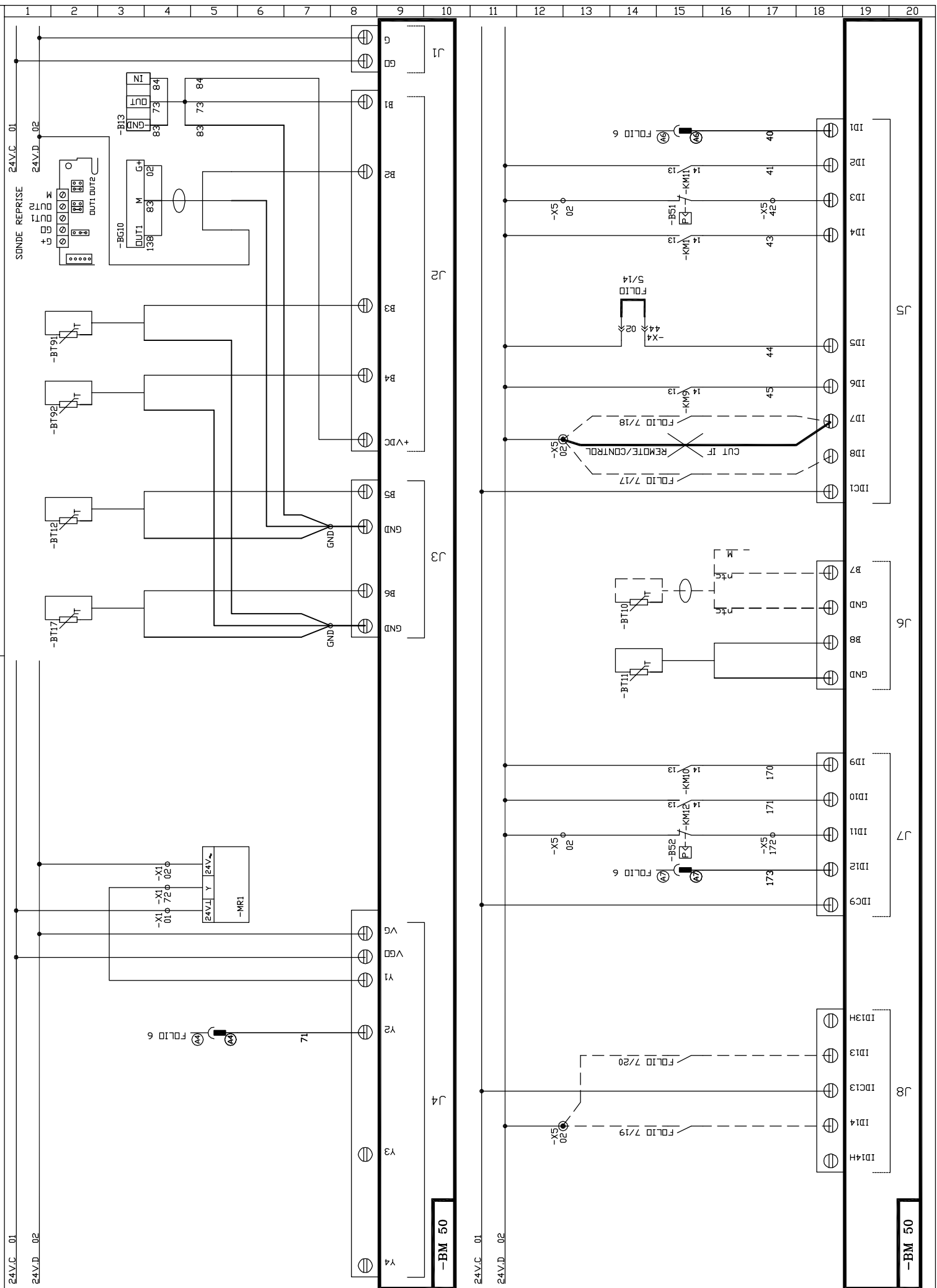
**Input B1-B2-B3-B4**

	1	Input
OFF	OFF	0/1V
DN	DN	NTC
DN	DN	0/20mA
DN	DN	0/5V

**Input B5-B6**

Input	digital input	NTC
DN	DN	OFF

AVEC TCB SANS CARTE EXTENSION  
WITHOUT EXTENSIONBOARD BE50



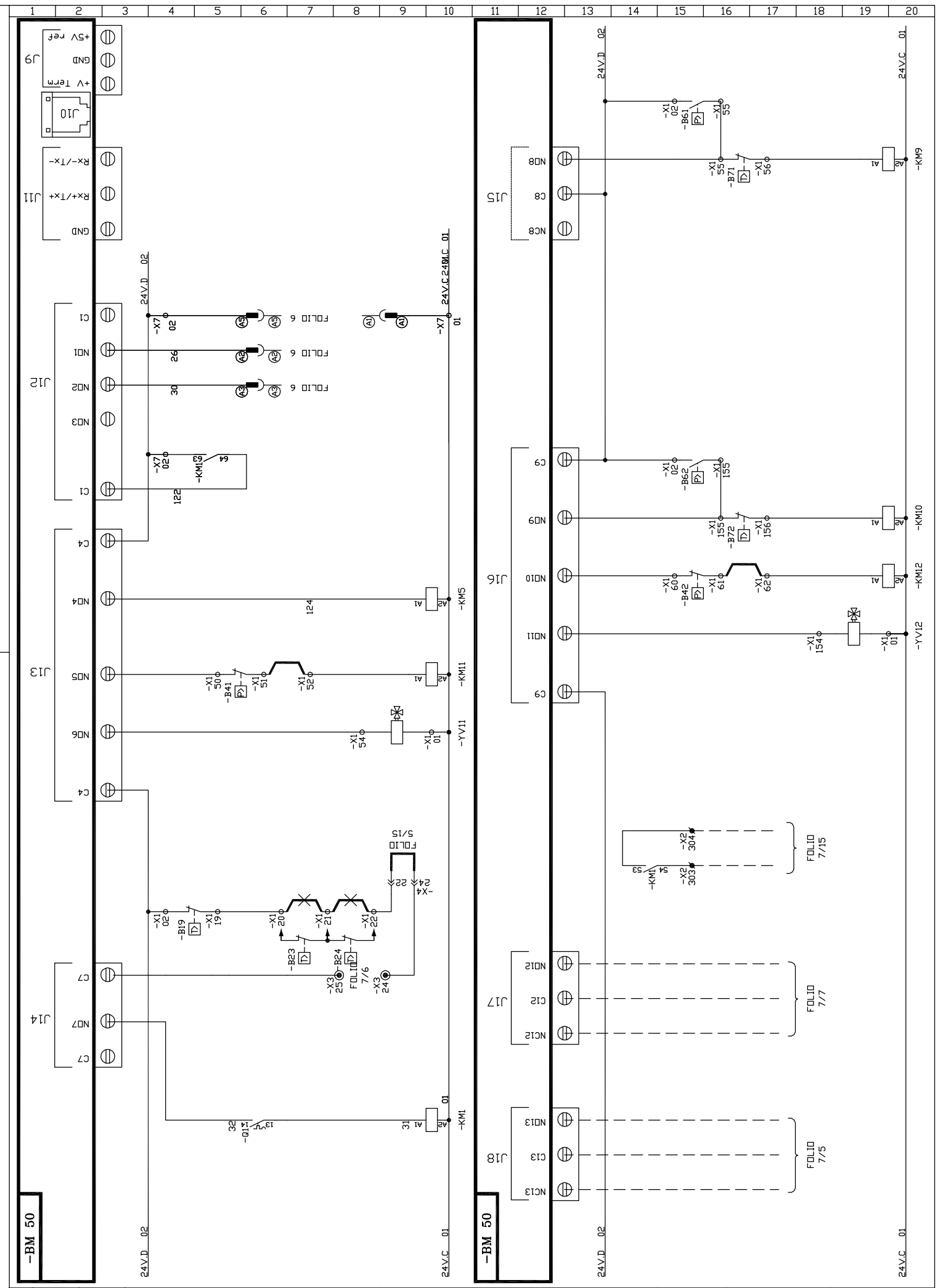
Indice	DATE	NOM	MODIFICATIONS

(1) BDK 050 HD  
Entrées Automate CLIMATIC 50  
Climatic 50 Controller Input

Dessine: T/Y  
Date: 18.10.06



251034 3/11



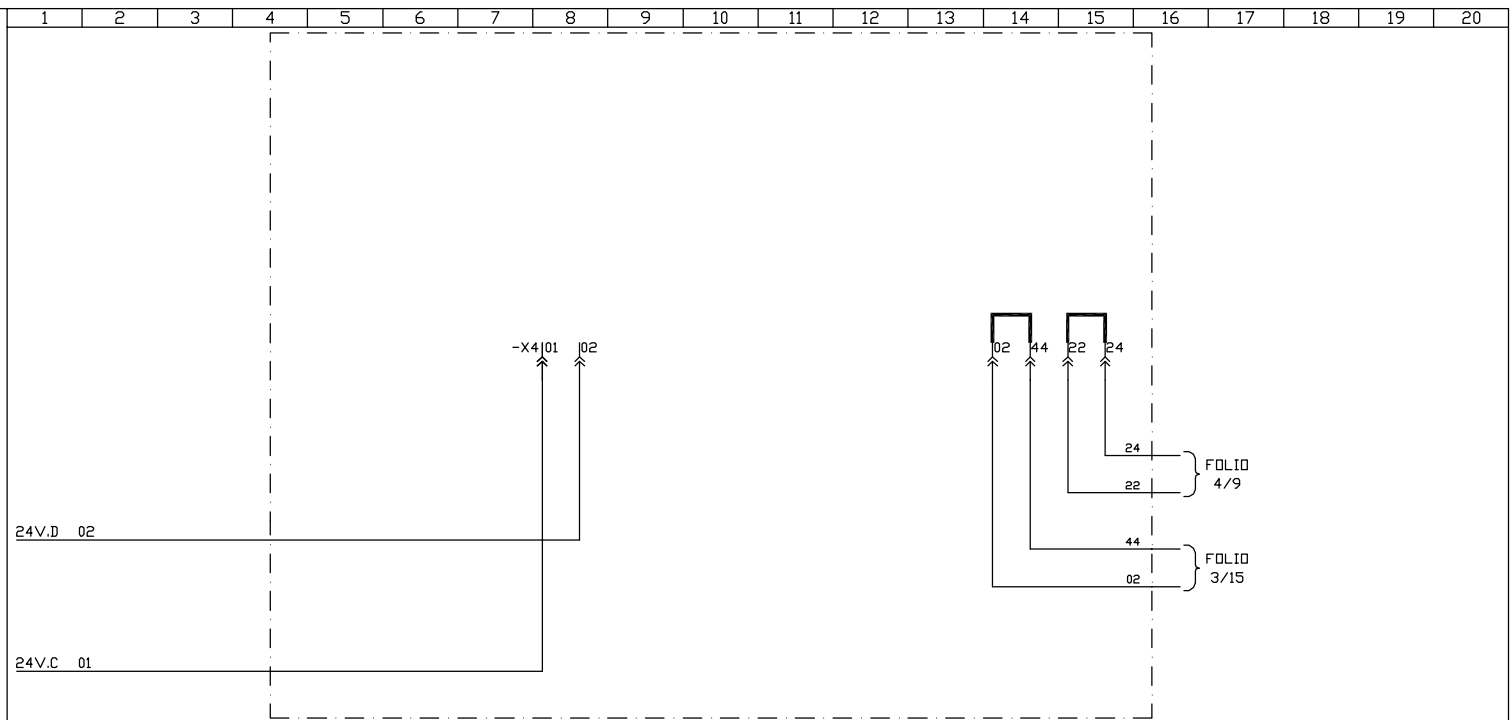
Indice	DATE	NOM	MODIFICATIONS

(1) BDK 050 HD  
Sorties Automate CLIMATIC 50  
Climatic 50 Controller Outputs

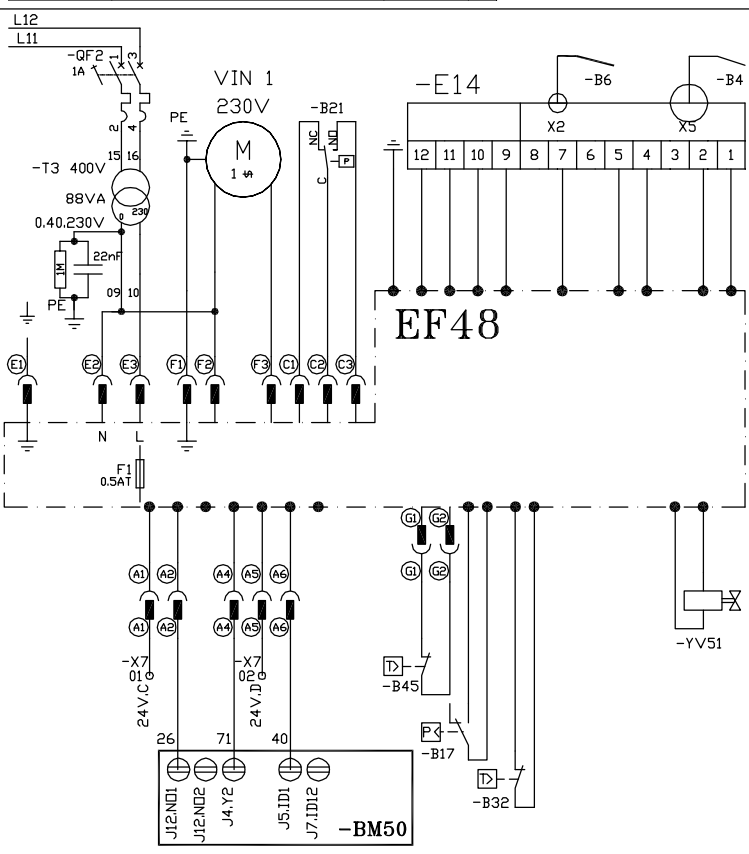
Dessine: T/Y  
Date: 18.10.06



251034 4/11



REPÈRE	REFERENCE	CODE	Nb
-QF2	C60N 1A BIPOL COURBE D	4480589E	1
-T3	88VA 400V/40V/230V	4430131Z	1
-RC	CIRCUIT RC 1MEG0HM - 22nF	4770012Z	1
-EF48	-EF48	4770624Z	1

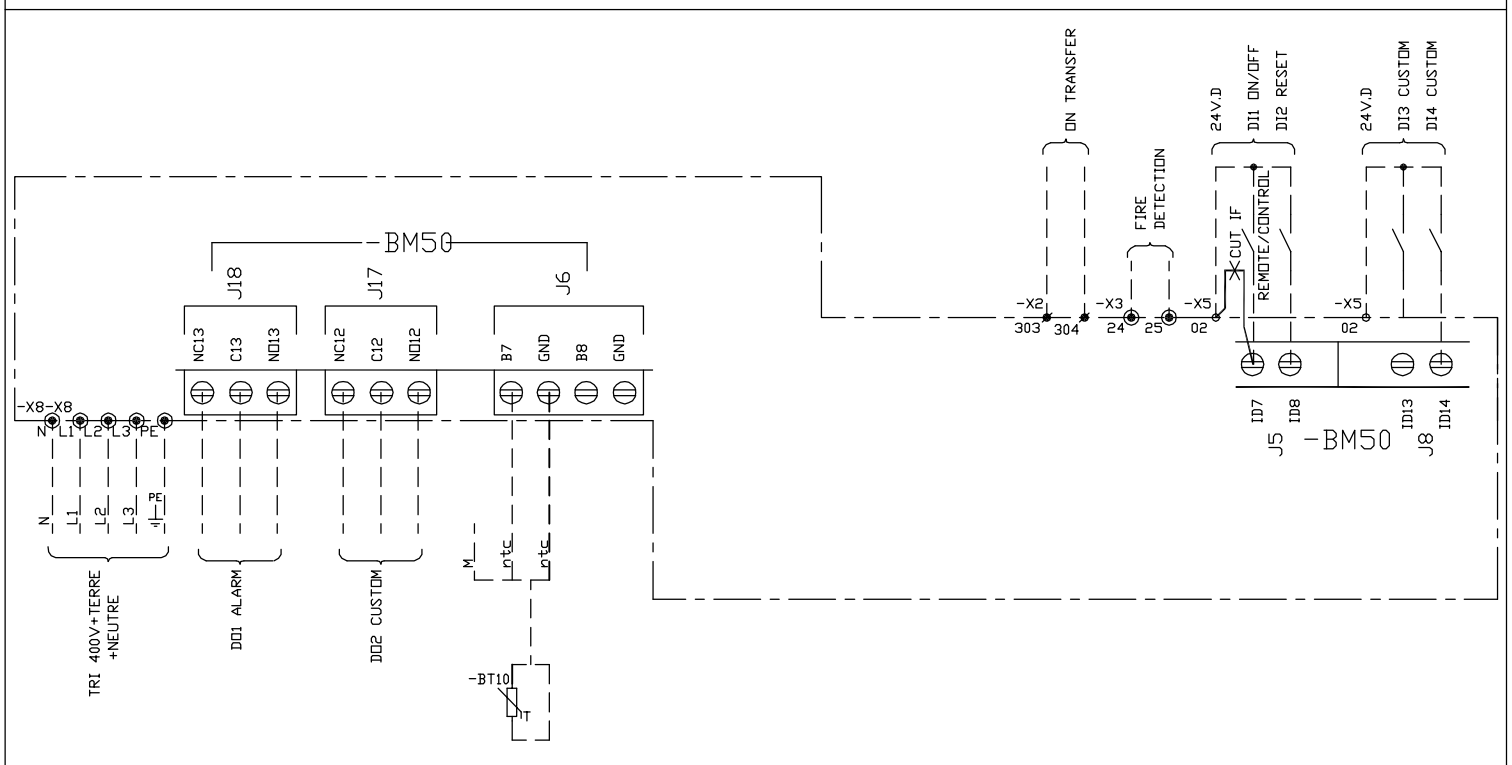
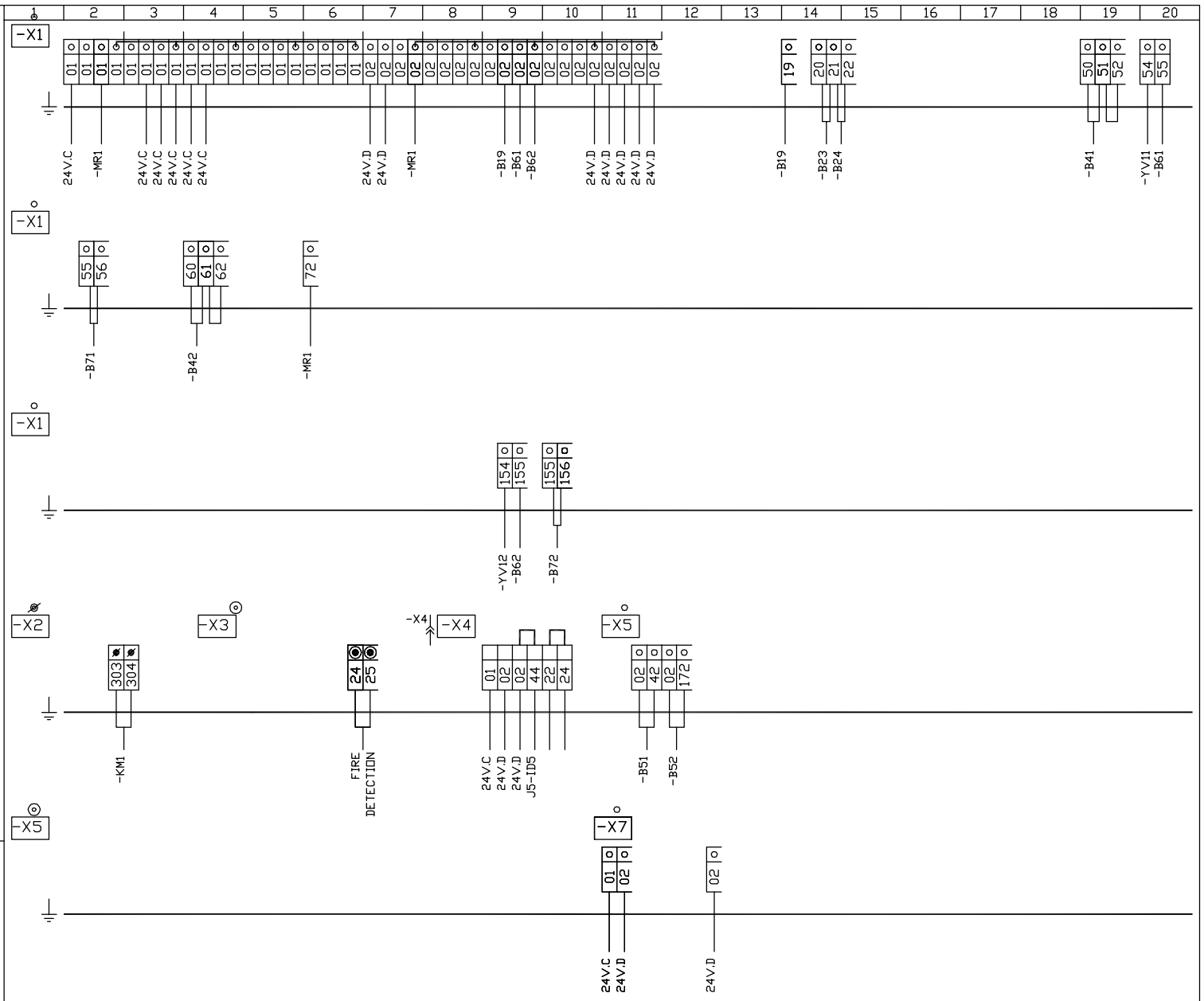


Indice	DATE	NOM	MODIFICATIONS

(1) BDK 050 HD  
Kit chauffage  
GAS

Dessine: T/Y  
Date: 18.10.06





Indice	DATE	NOM	MODIFICATIONS

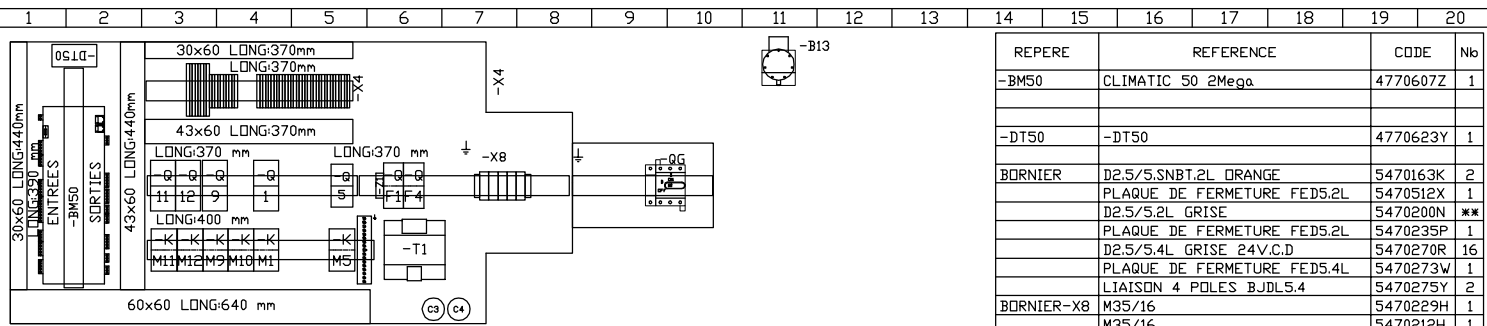
(1) BDK 050 HD  
 Borniers \ Raccordement Client  
 Terminal Strip \ Customer

Dessine: T/Y  
 Date: 18.10.06



251034	7/11
--------	------

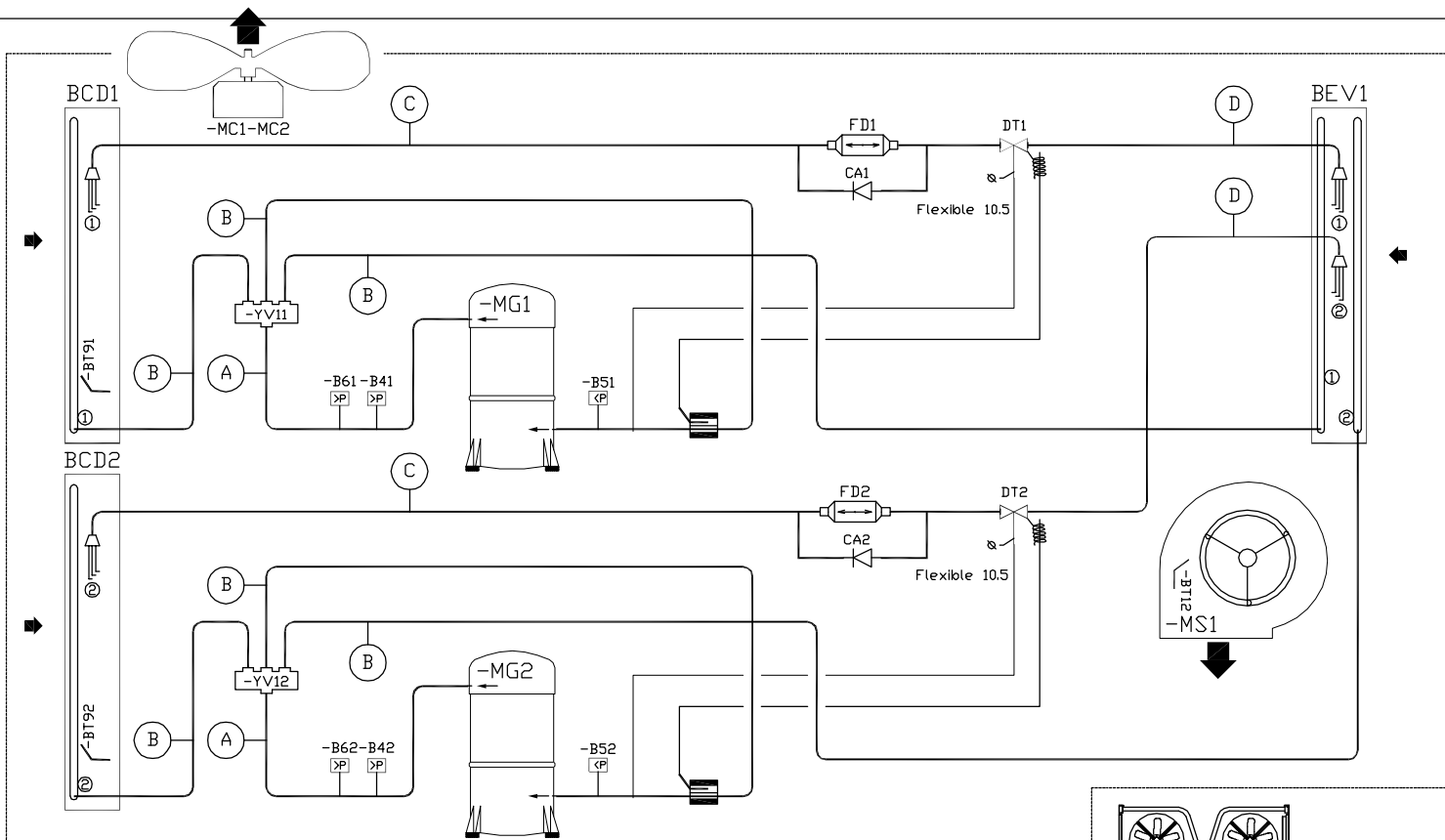




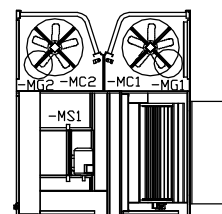
REPERE	REFERENCE	CODE	Nb
-QG	INTER DT 63 E3	4480657E	1
-QG	POLE NEUTRE DTPL 63 EP	4480677K	1
-QG	POIGNEE DE MANOEUVRE DHY2AJ	4480661L	1
-QG	ARBRE DE MANOEUVRE DXS 5x160	4480660J	1
PRDFIL	OMEGA 35x7.5x1.5 LONG:160mm	5740142E	1
BARRETTE	TYPE MG 14979	5470186T	1
-QF1	C60N 24583 4A BIPOL COURBE D	4480591H	1
-QF4	C60N 24584 6A BIPOL COURBE D	4480592J	1
-T1	160VA PRIMAIRE 400V /24V	4430121L	1
-B13	697 9500010A	4730097A	1
-B13	SUPPDRT PLAN N 3172211A	4148197R	1
-Z1	LRC V2-0.22-220/400V	4770010X	1
-Q5	GV2 M14 6/10A	4410848T	1
-KM5	LC1 D09 B7	4410650A	1

REPERE	REFERENCE	CODE	Nb
-Q1	GV2 M20 13/18 A	4410850W	1
-Q1	GV2 AE 113	4410891J	1
-KM1	LC1 D12 B7	4410651E	1
-KM1	LA DN403	5410092V	1

REPERE	REFERENCE	CODE	Nb
-BM50	CLIMATIC 50 2Mega	4770607Z	1
-DT50	-DT50	4770623Y	1
BORNIER	D2.5/5.SNBT.2L DRANGE	5470163K	2
	PLAQUE DE FERMETURE FED5.2L	5470512X	1
	D2.5/5.2L GRISE	5470200N	**
	PLAQUE DE FERMETURE FED5.2L	5470235P	1
	D2.5/5.4L GRISE 24V.C.D	5470270R	16
	PLAQUE DE FERMETURE FED5.4L	5470237W	1
	LIAISON 4 POLES BJDLS.4	5470275Y	2
BORNIER-X8	M35/16	5470229H	1
	M35/16	5470212H	1
	M35/16	5470204V	3
	PLAQUE DE FERMETURE	5470237T	1
BUTEE	103 002 26	5470240X	2
-Q11-Q12	GV2 M203 13/18 A	4410883W	2
-KM11-KM12	LC1 D123 B7	4410651E	2
-Q9	GV2 M14 6/10A	4410848T	1
-KM9	LC1 D09 B7	4410650A	1
-KM10	LC1 D09 B7	4410650A	1



BDX	30/35	40	-MG1	45	-MG2	50	60	70
D	5/8"	5/8"	5/8"	7/8"	7/8"	7/8"	7/8"	7/8"
C	1/2"	1/2"	1/2"	5/8"	5/8"	5/8"	5/8"	5/8"
B	7/8"	1 1/8"	1 1/8"	1 1/8"	1 1/8"	1 1/8"	1 1/8"	1 3/8"
A	5/8"	7/8"	7/8"	7/8"	7/8"	7/8"	7/8"	7/8"



Indice	DATE	NOM	MODIFICATIONS

(1) BDK 050 HD  
 Schéma Frigorifique \ Hydraulique  
 Cooling \ Hydraulic Diagram

Dessine: T/Y  
 Date: 18.10.06



251034 9/11  
 USINE DE LONGVIC



