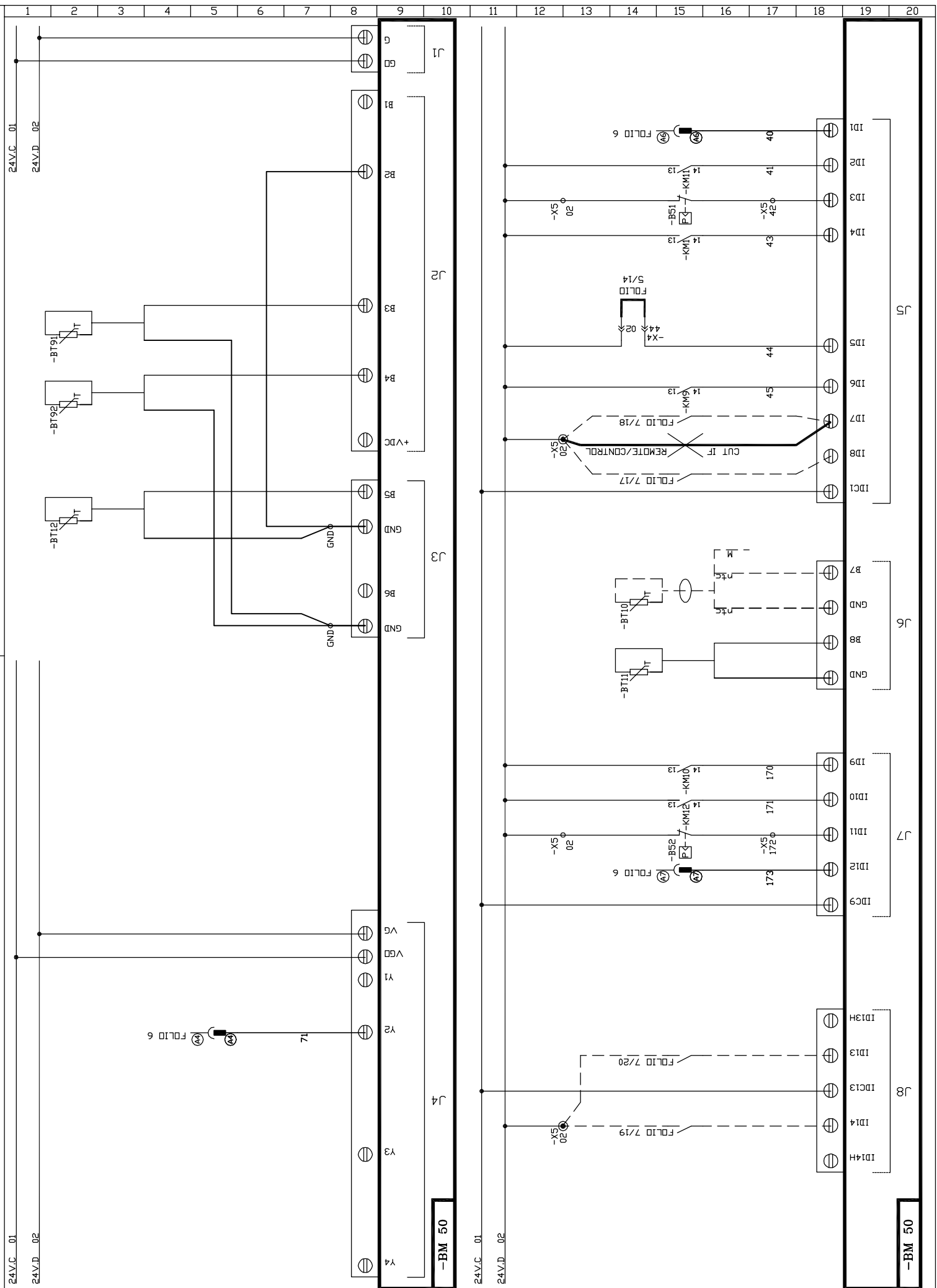


Indice	DATE	NOM	MODIFICATIONS

(1) BDK 035 HD
Automate CLIMATIC 50
Climatic 50 Controller

Dessine: CTO
Date: 21.03.07





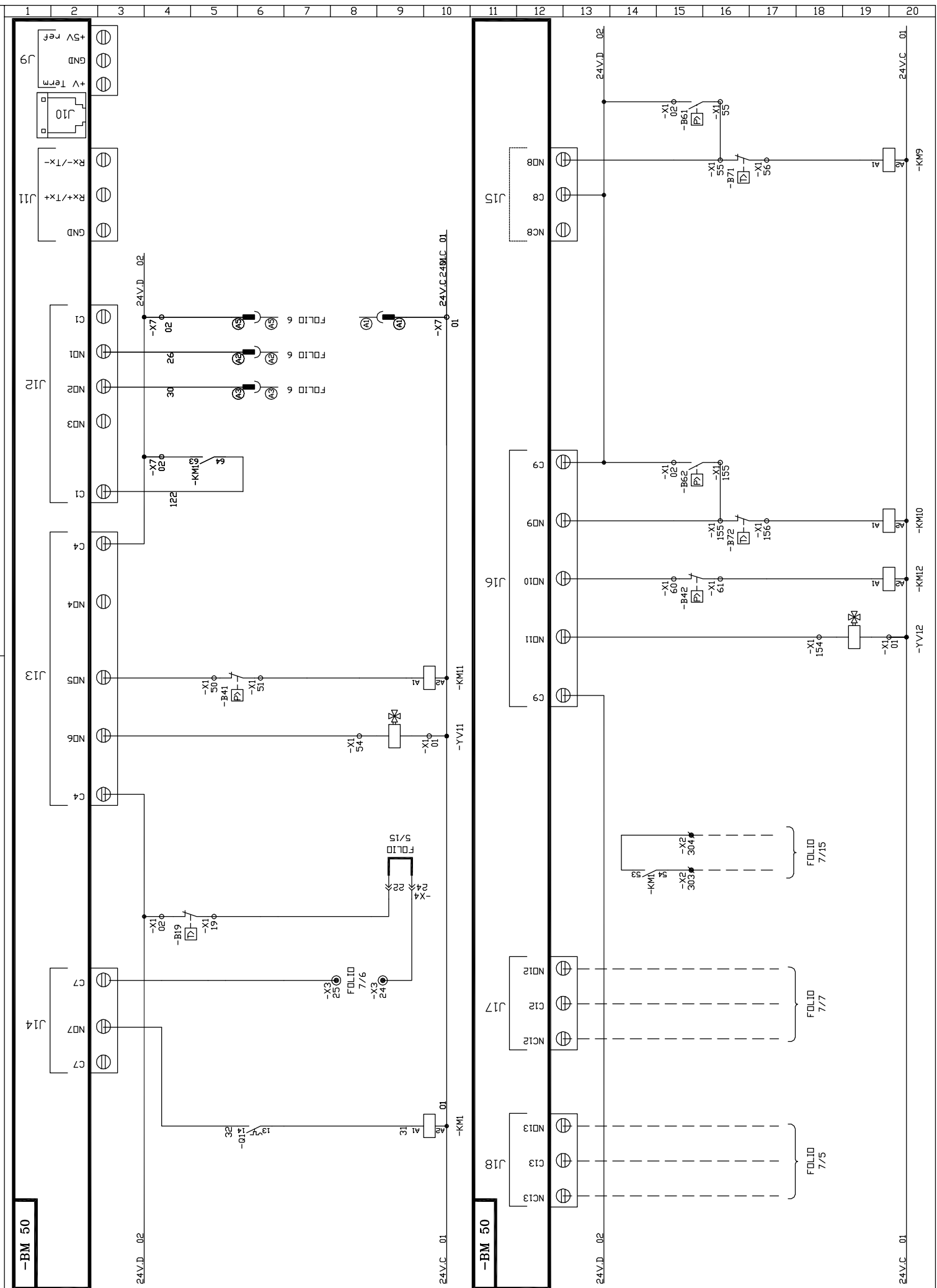
Indice	DATE	NOM	MODIFICATIONS

(1) BDK 035 HD
Entrées Automate CLIMATIC 50
Climatic 50 Controller Input

Dessine: CTO
Date: 21.03.07



253975 3/11



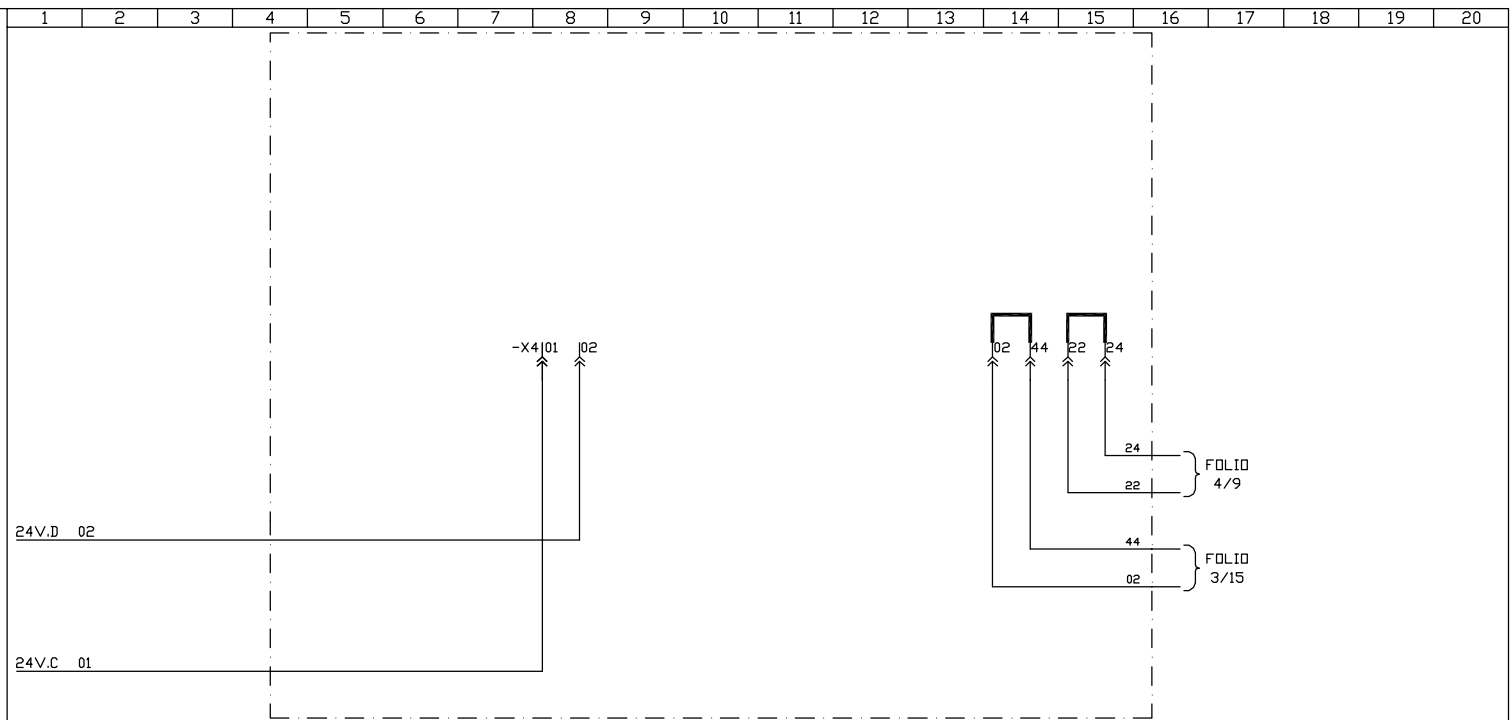
Indice	DATE	NOM	MODIFICATIONS

(1) BDK 035 HD
Sorties Automate CLIMATIC 50
Climatic 50 Controller Outputs

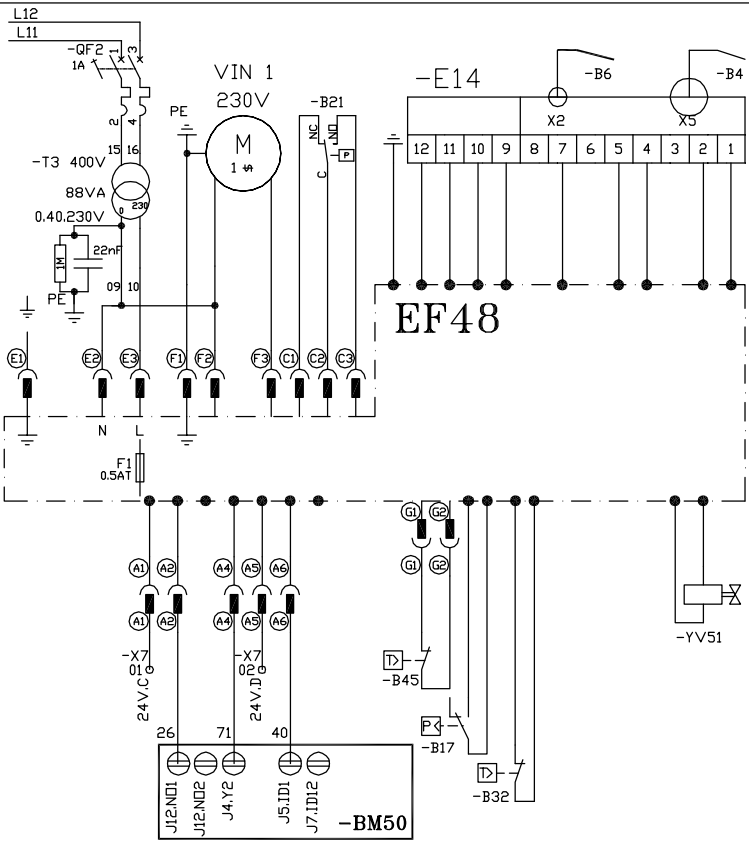
Dessine: CTO
Date: 21.03.07



253975 4/11



1	2	3	4	5	6	7	8	9	10	11	12	13	14	15	16	17	18	19	20
REPÈRE	REFERENCE				CODE	Nb													
-QF2	C60N 1A BIPOL COURBE D				4480589E	1													
-T3	88VA 400V/40V/230V				4430131Z	1													
-RC	CIRCUIT RC 1MEG0HM - 22nF				4770012Z	1													
-EF48	-EF48				4770624Z	1													



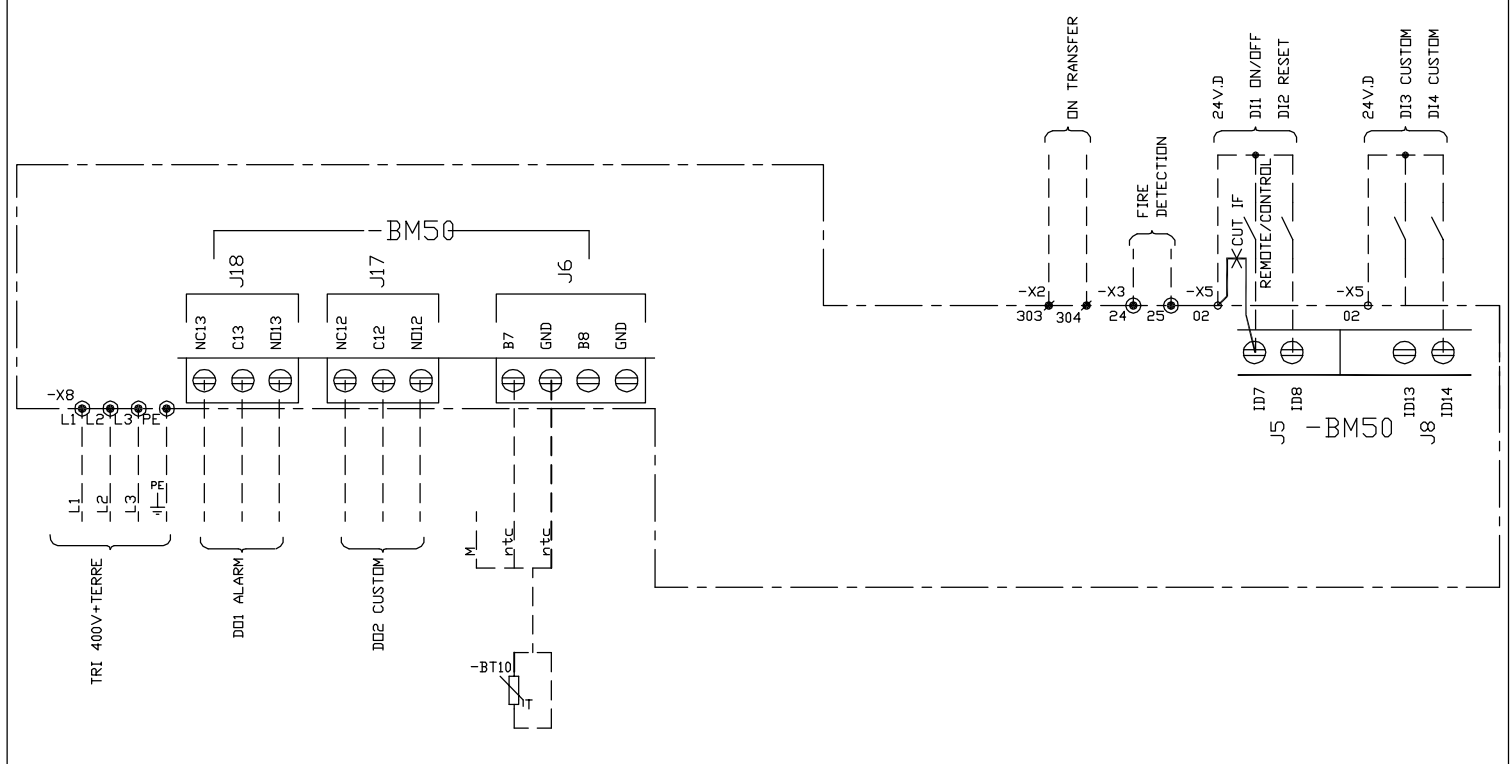
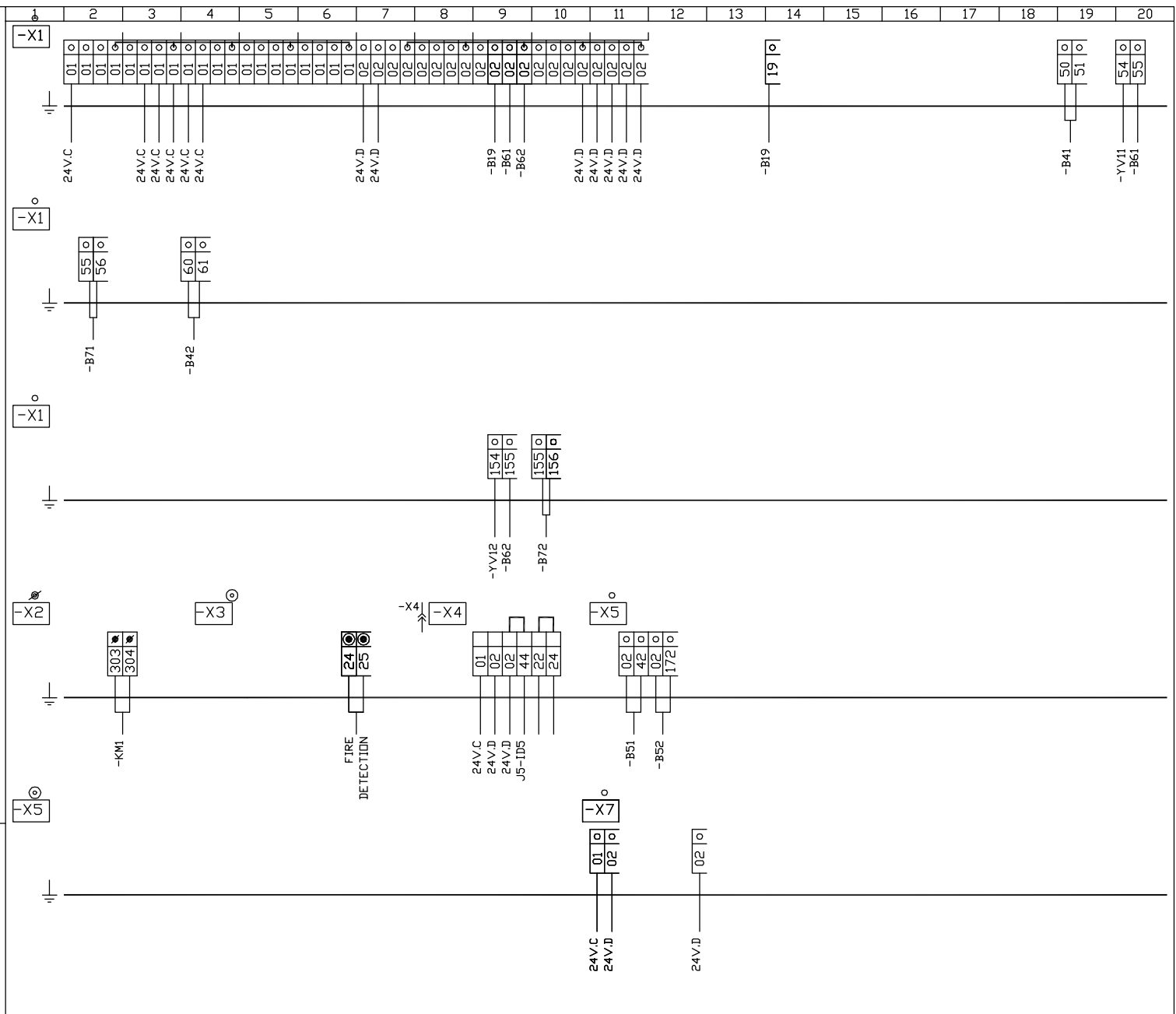
Indice	DATE	NOM	MODIFICATIONS

(1) BDK 035 HD
Kit chauffage
GAS

Dessine: CTO
Date: 21.03.07



253975 6/11



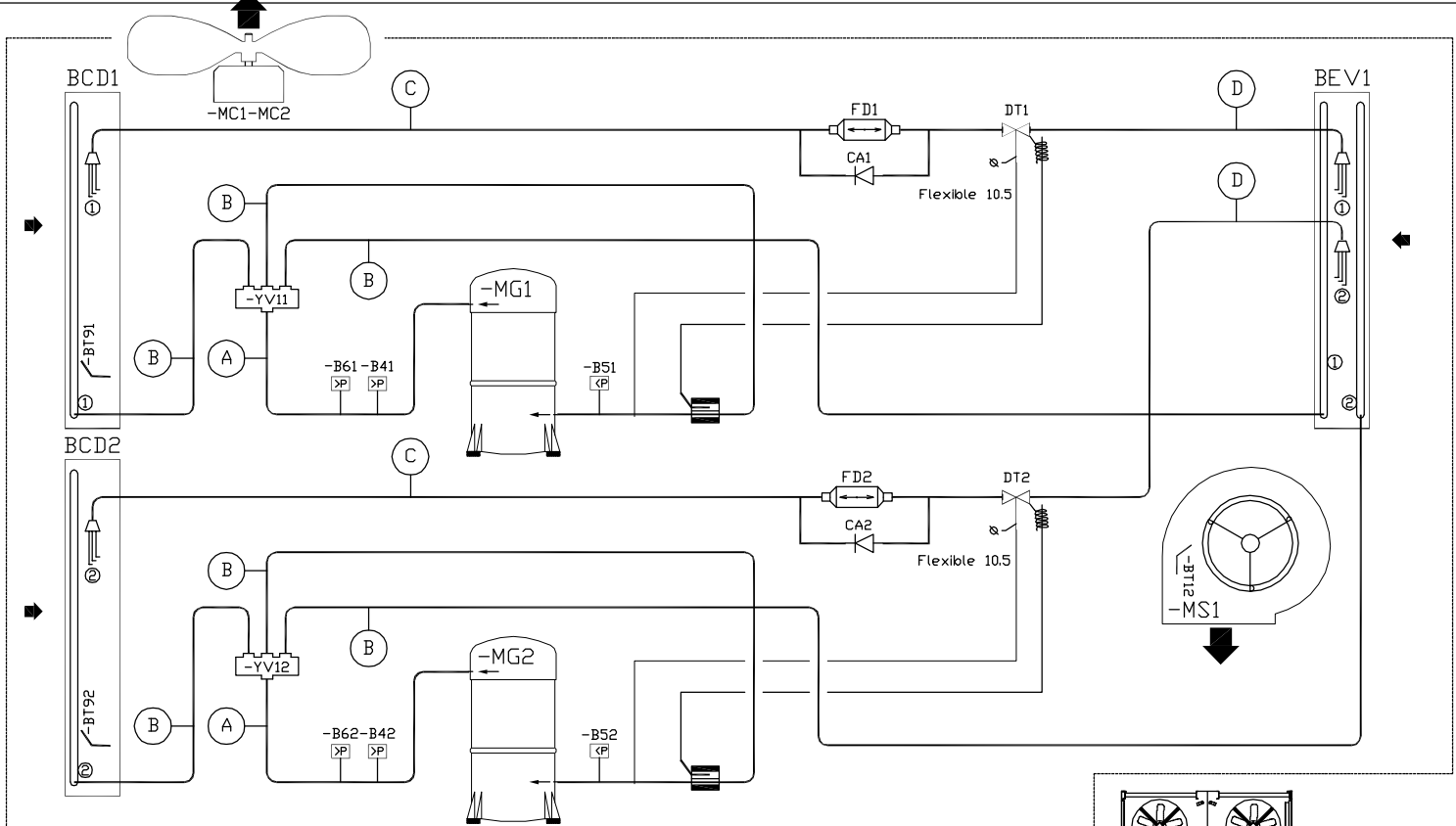
Indice	DATE	NOM	MODIFICATIONS

(1) BDK 035 HD
 Borniers \ Raccordement Client
 Terminal Strip \ Customer

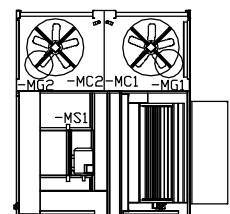
Dessine: CTO
 Date: 21.03.07



253975 7/11



BDX	30/35	40	-MG1	45	-MG2	50	60	70
D	5/8"	5/8"	5/8"	7/8"	7/8"	7/8"	7/8"	7/8"
C	1/2"	1/2"	1/2"	5/8"	5/8"	5/8"	5/8"	5/8"
B	7/8"	1 1/8"	1 1/8"	1 1/8"	1 1/8"	1 1/8"	1 1/8"	1 3/8"
A	5/8"	7/8"	7/8"	7/8"	7/8"	7/8"	7/8"	7/8"



Indice	DATE	NOM	MODIFICATIONS

(1) BDK 035 HD
 Schéma Frigorifique \ Hydraulique
 Cooling \ Hydraulic Diagram

Dessine: CTO
 Date: 21.03.07



253975 9/11

