

# - BM 50

**Input B1-B2-B3-B4**

1	2	3	Input
OFF	OFF	OFF	0/1V
OFF	OFF	OFF	NTC
OFF	DN	OFF	0/20mA
DN	OFF	OFF	0/5V

**Input B5-B6**

Input	digital input	NTC
DN	OFF	OFF

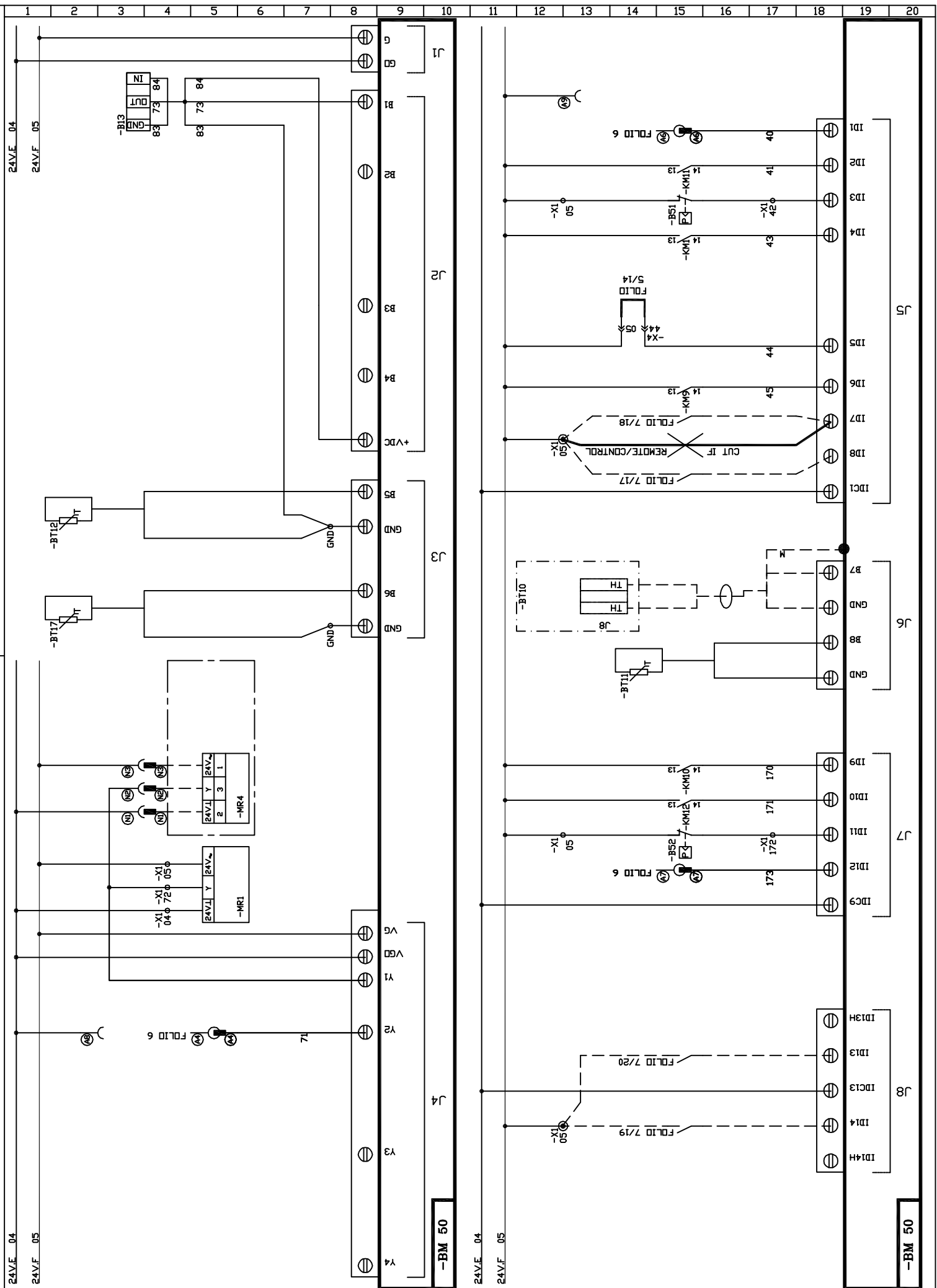
AVEC TCB SANS CARTE EXTENSION  
WITHOUT EXTENSIONBOARD BE50

**Input B1-B2-B3-B4**

1	2	3	Input
OFF	OFF	OFF	0/1V
OFF	OFF	OFF	NTC
OFF	DN	OFF	0/20mA
DN	OFF	OFF	0/5V

**Input B5-B6**

Input	digital input	NTC
DN	OFF	OFF



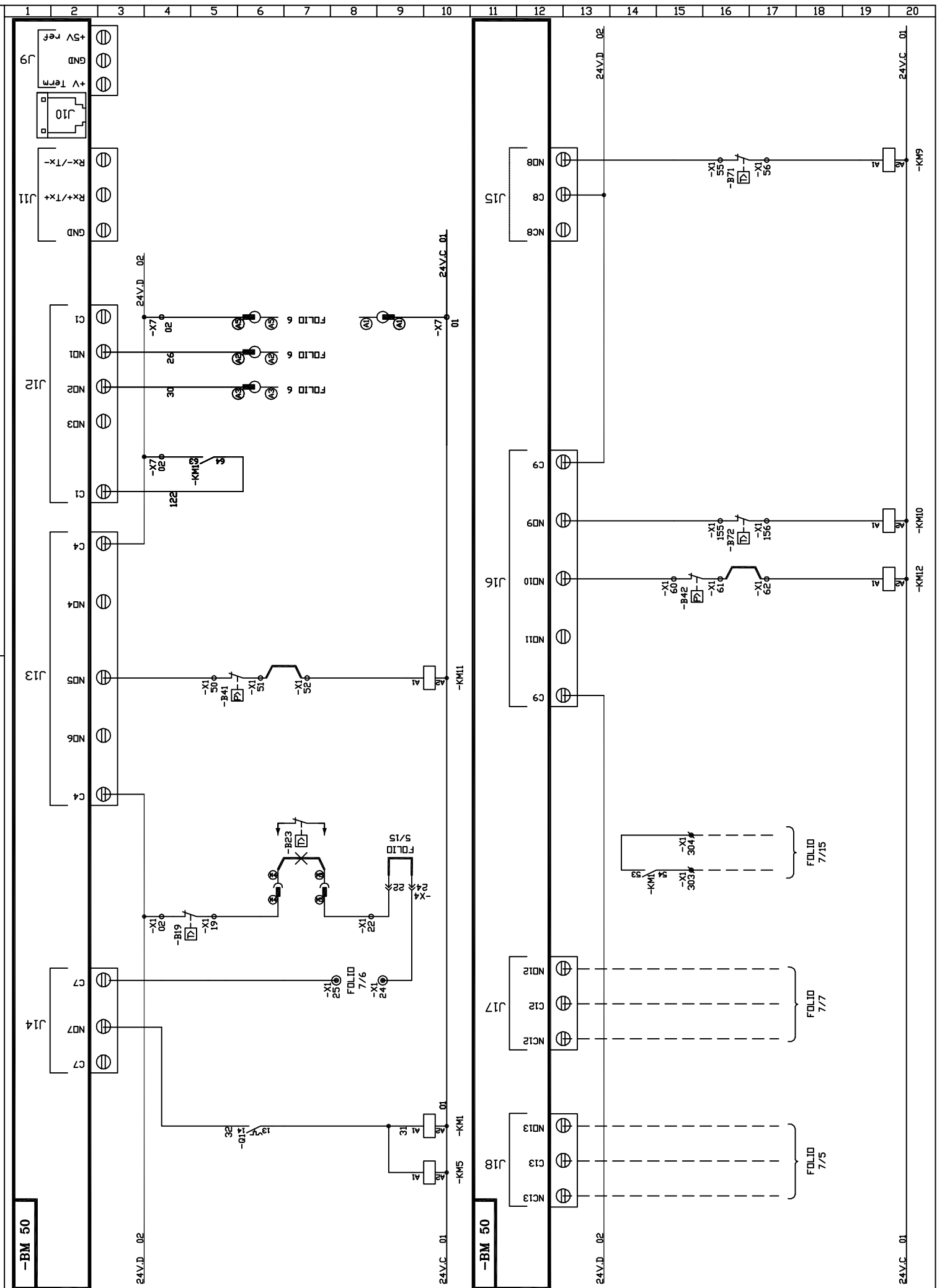
Indice	DATE	NOM	MODIFICATIONS

(1) BCK 050 ND  
Entrées Automate CLIMATIC 50  
Climatic 50 Controller Input

Dessine: CTO  
Date: 30.08.07



256981 3/11



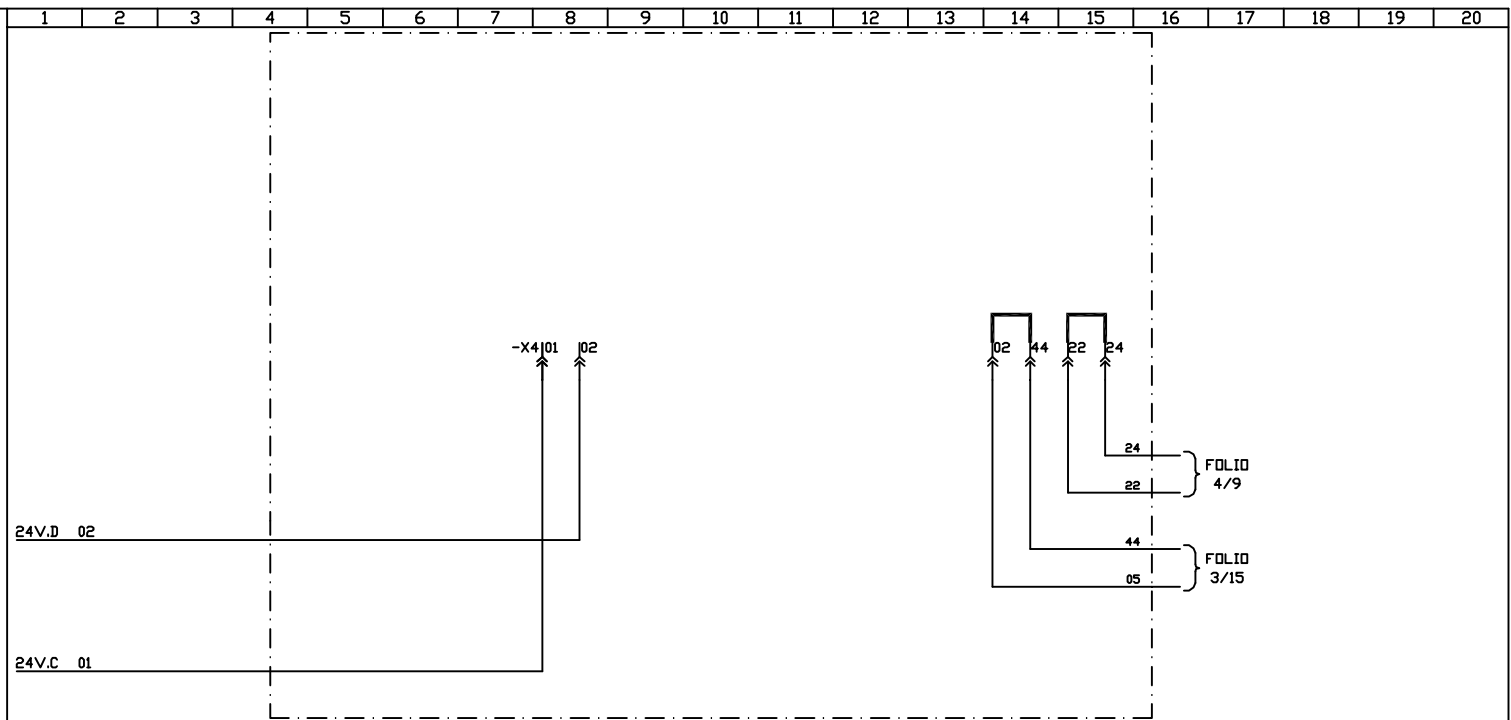
Indice	DATE	NOM	MODIFICATIONS

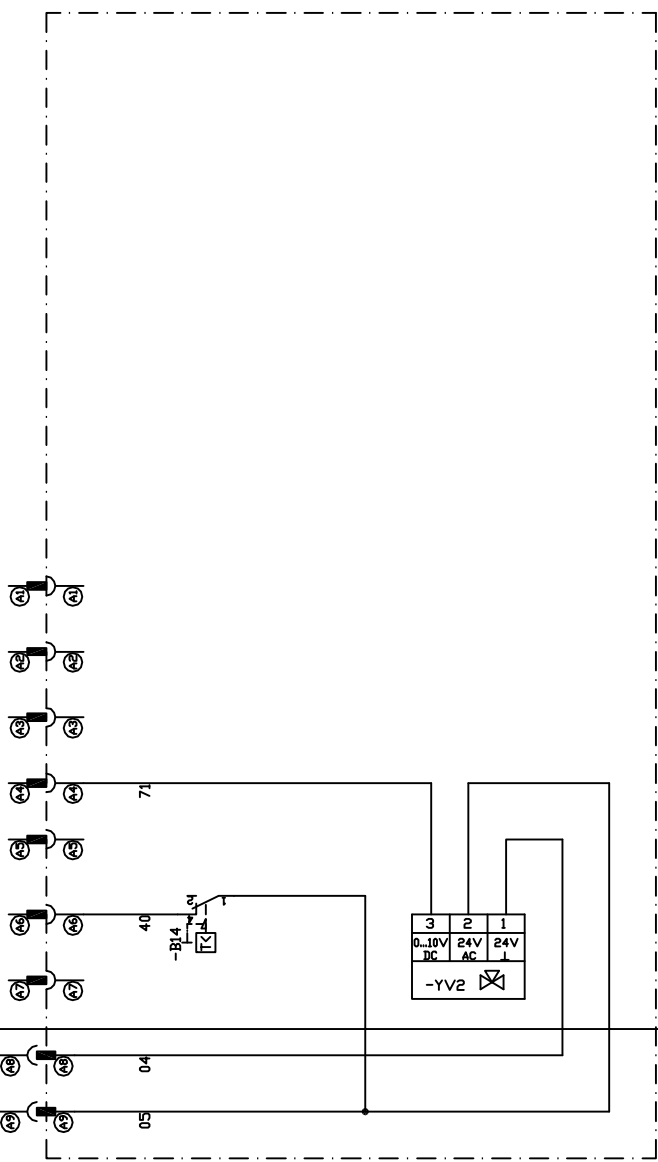
(1) BCK 050 ND  
Sorties Automate CLIMATIC 50  
Climatic 50 Controller Outputs

Dessine: CTO  
Date: 30.08.07



256981 4/11





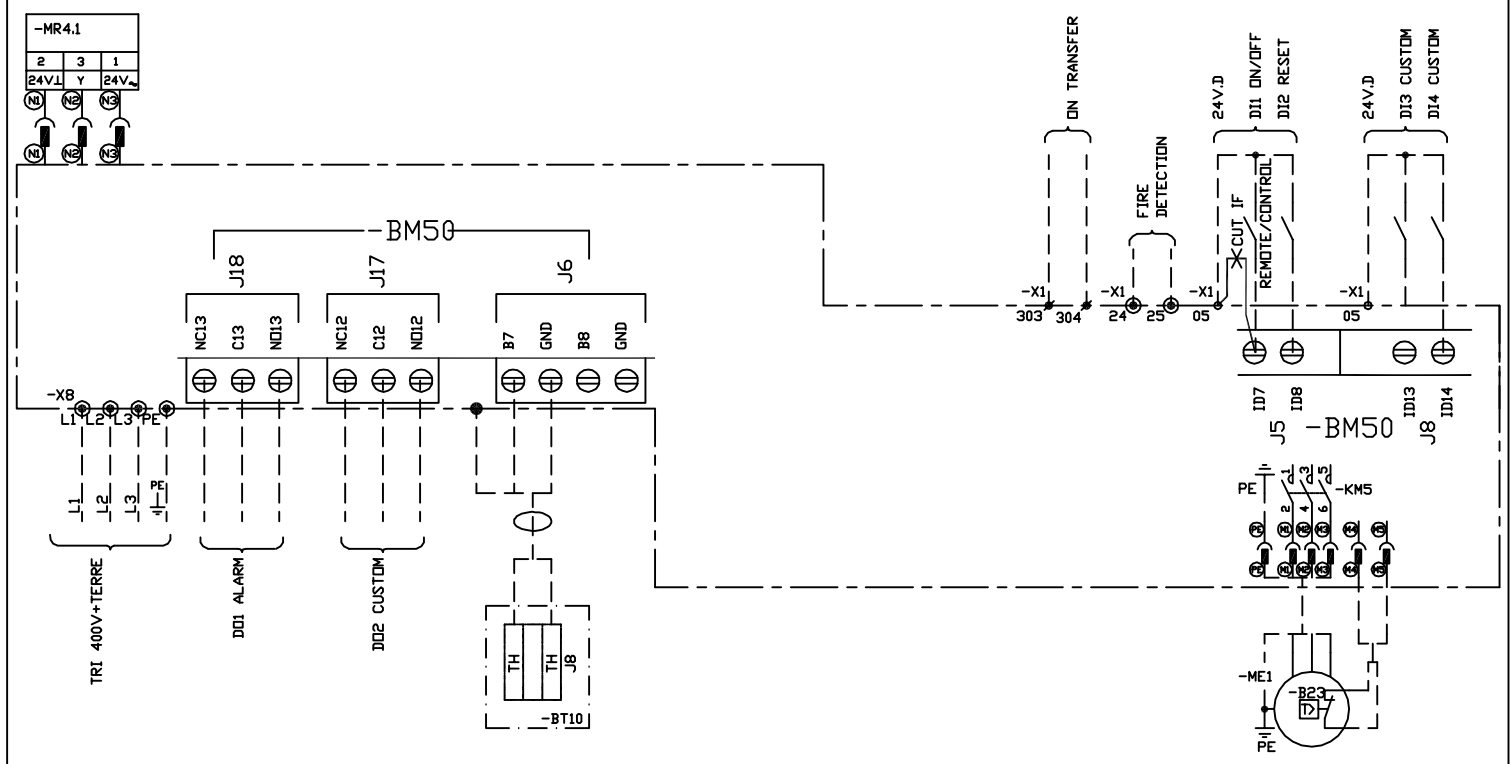
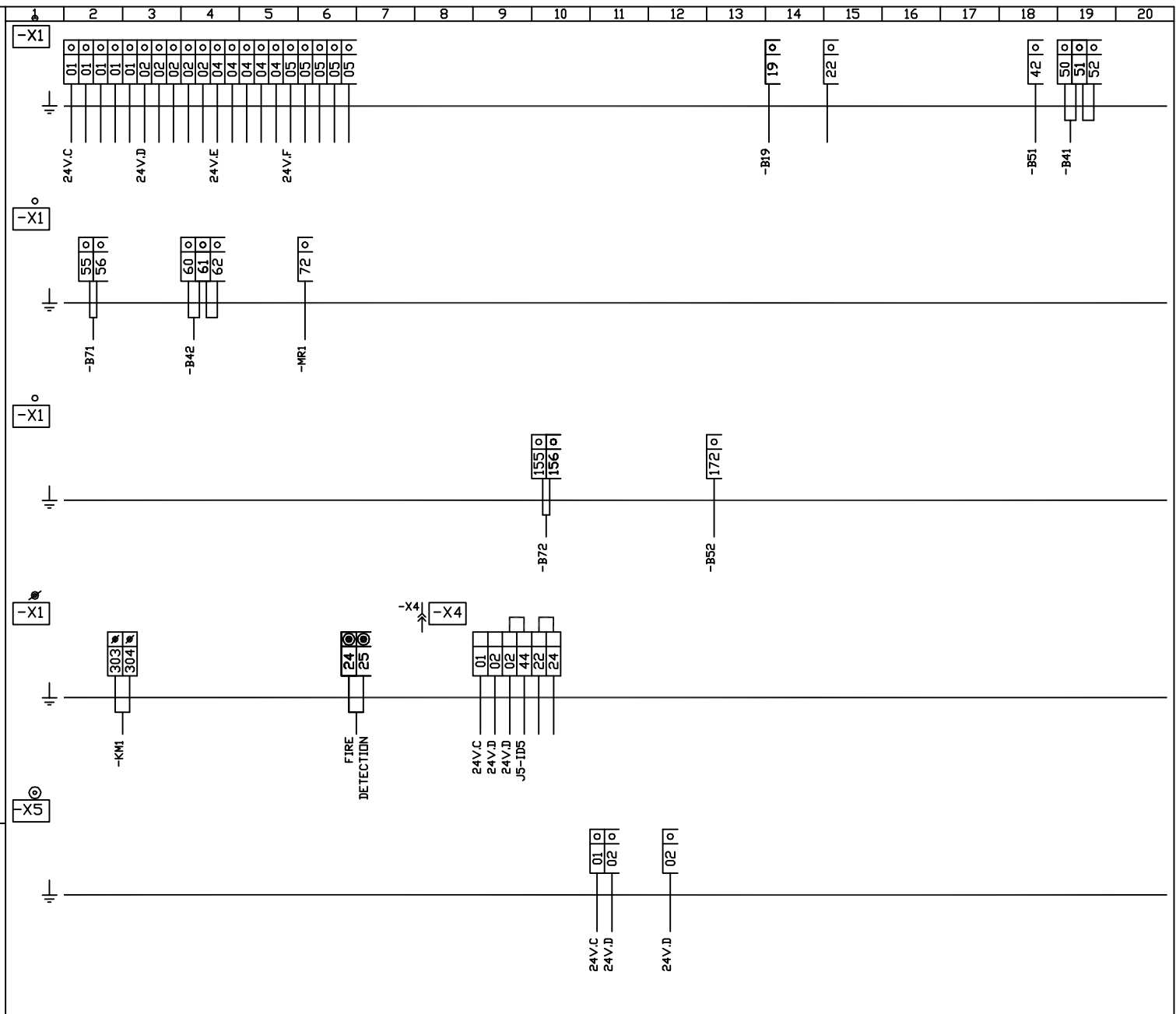
Indice	DATE	NOM	MODIFICATIONS

(1) BCK 050 ND  
Kit chauffage  
GAS

Dessine: CTO  
Date: 30.08.07

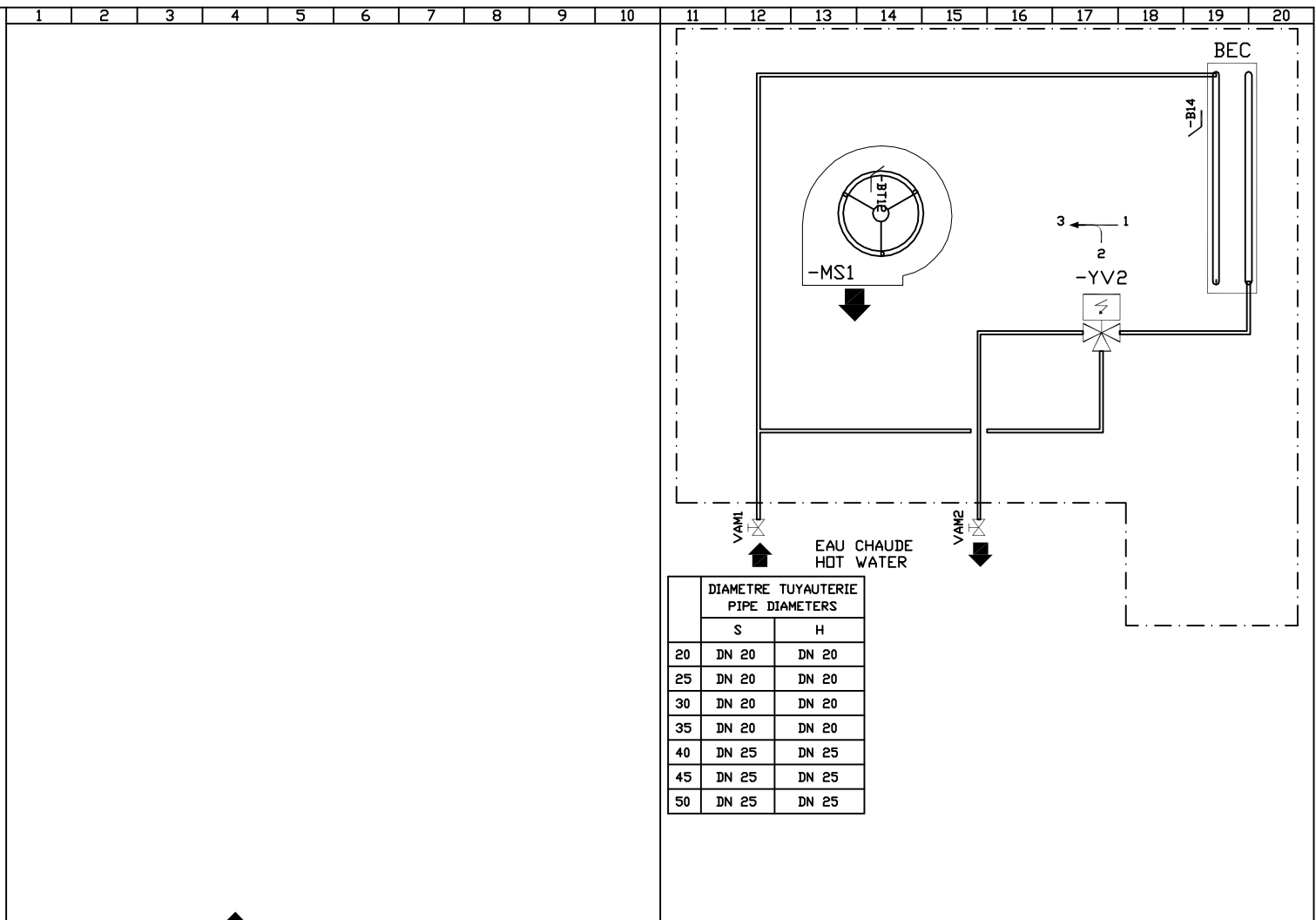


256981	6 / 11

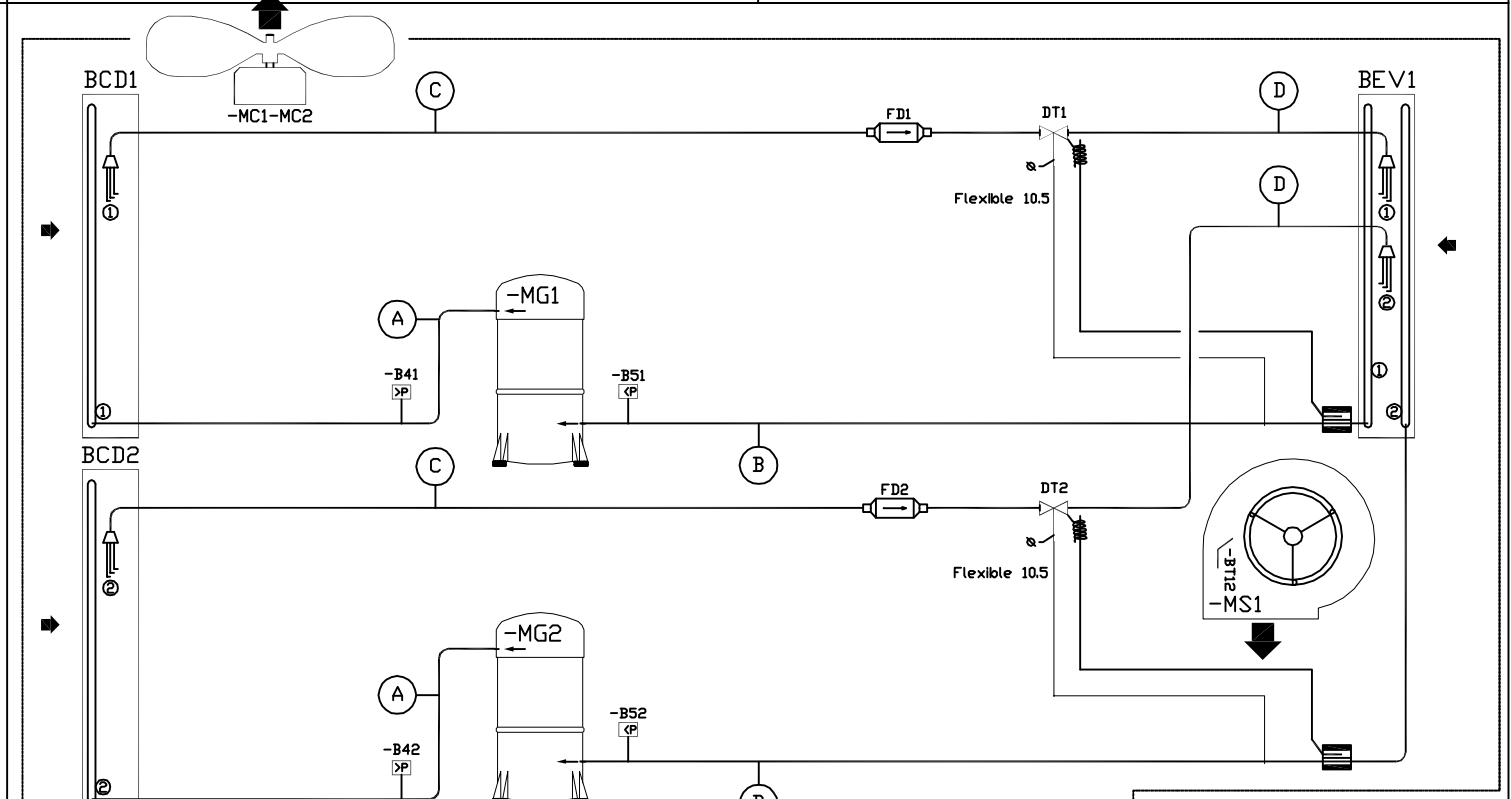








	DIAMETRE TUYAUTERIE PIPE DIAMETERS	
	S	H
20	DN 20	DN 20
25	DN 20	DN 20
30	DN 20	DN 20
35	DN 20	DN 20
40	DN 25	DN 25
45	DN 25	DN 25
50	DN 25	DN 25



BOX	30/35	40	-MG1	45	-MG2	50	60	70
D	5/8"	5/8"	5/8"	7/8"	7/8"	7/8"	7/8"	7/8"
C	1/2"	1/2"	1/2"	5/8"	5/8"	5/8"	5/8"	5/8"
B	7/8"	1 1/8"	1 1/8"	1 1/8"	1 1/8"	1 3/8"	1 3/8"	1 3/8"
A	5/8"	7/8"	7/8"	7/8"	7/8"	7/8"	7/8"	7/8"

