

Indice	DATE	NOM	MODIFICATIONS

(1) BCK 040 NS
Automate CLIMATIC 50
Climatic 50 Controller

Dessine: CTO
Date: 06.06.08



261163 2/11

Input B1-B2-B3-B4

	1	2	3	Input
OFF	OFF	OFF	OFF	0/1V
DN	DN	DN	DN	NTC
DN	DN	DN	DN	0/20mA
DN	DN	DN	DN	0/5V

Input B5-B6

	Input
DN	digital input
OFF	NTC

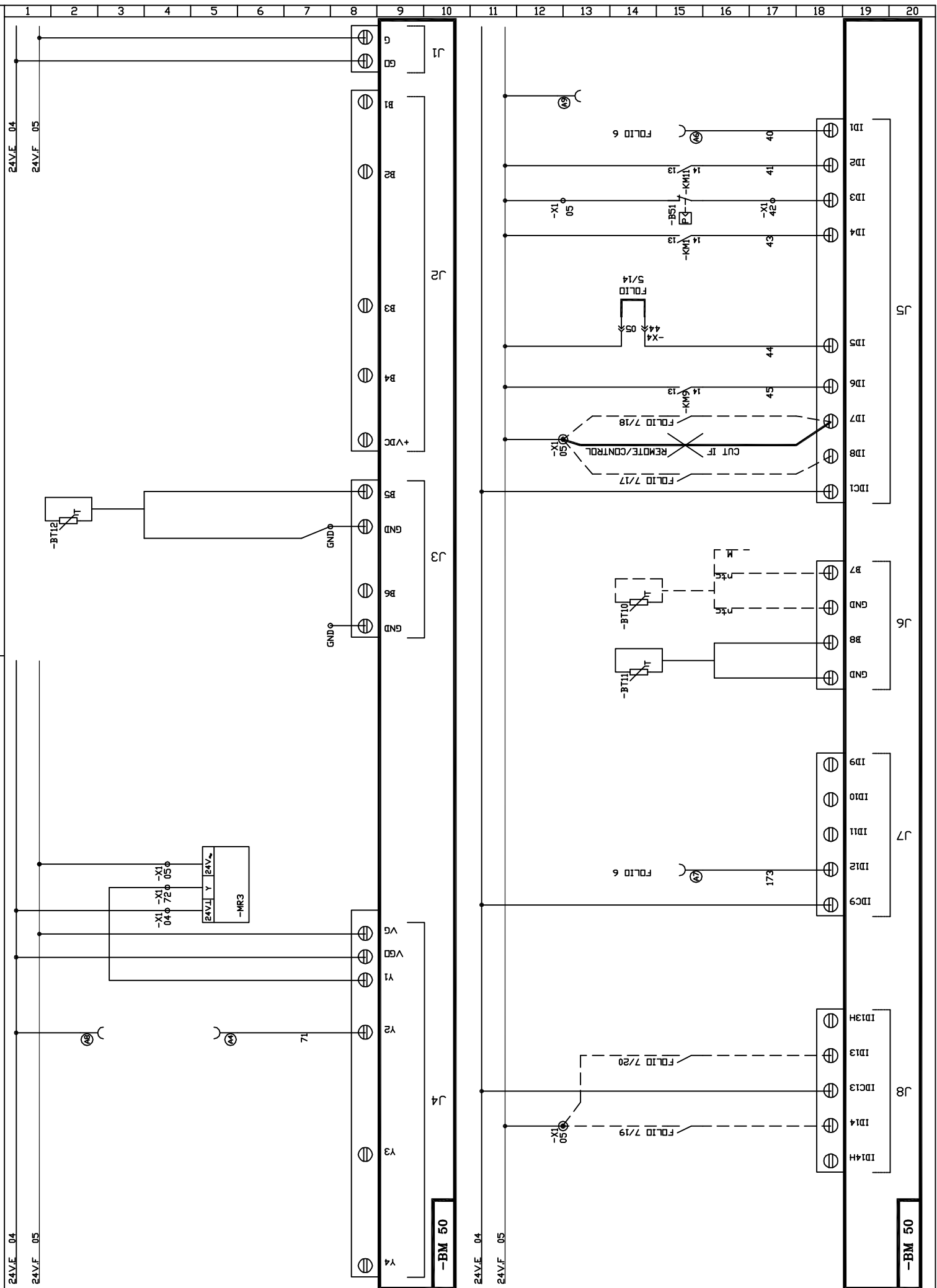
AVEC TCB SANS CARTE EXTENSION
WITHOUT EXTENSIONBOARD BE50

Input B1-B2-B3-B4

	1	2	3	Input
OFF	OFF	OFF	OFF	0/1V
DN	DN	DN	DN	NTC
DN	DN	DN	DN	0/20mA
DN	DN	DN	DN	0/5V

Input B5-B6

	Input
DN	digital input
OFF	NTC

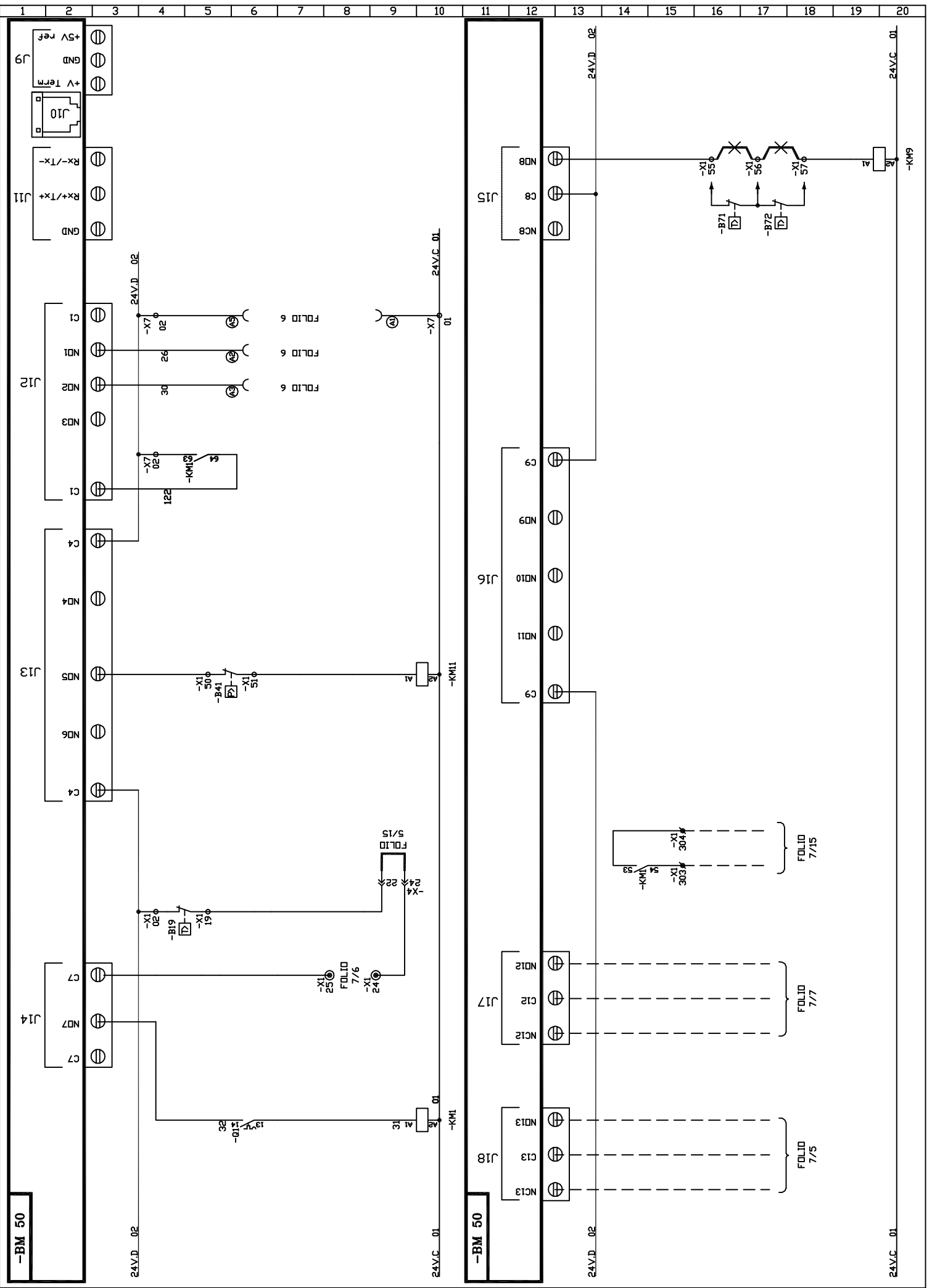


Indice	DATE	NOM	MODIFICATIONS

(1) BCK 040 NS
Entrées Automate CLIMATIC 50
Climatic 50 Controller Input

Dessine: CTO
Date: 06.06.08





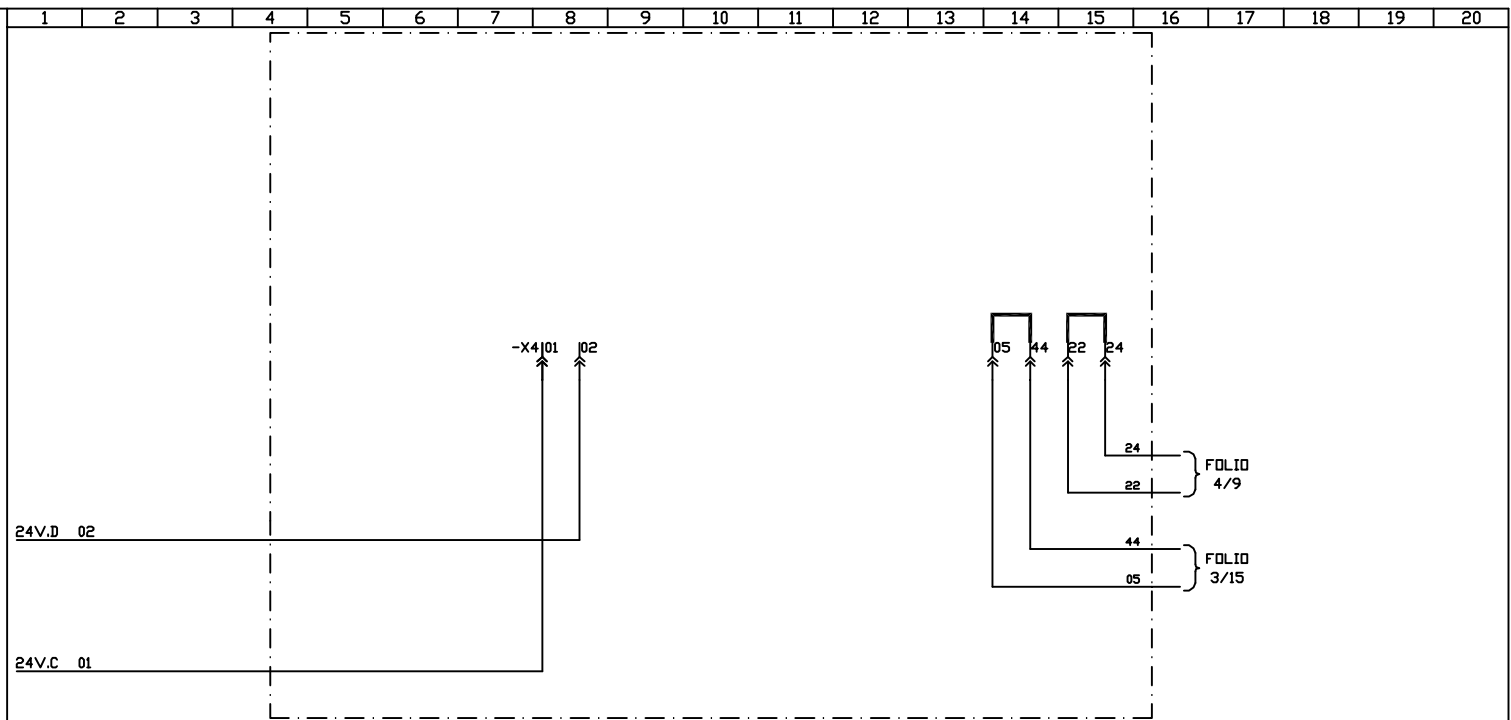
Indice	DATE	NOM	MODIFICATIONS

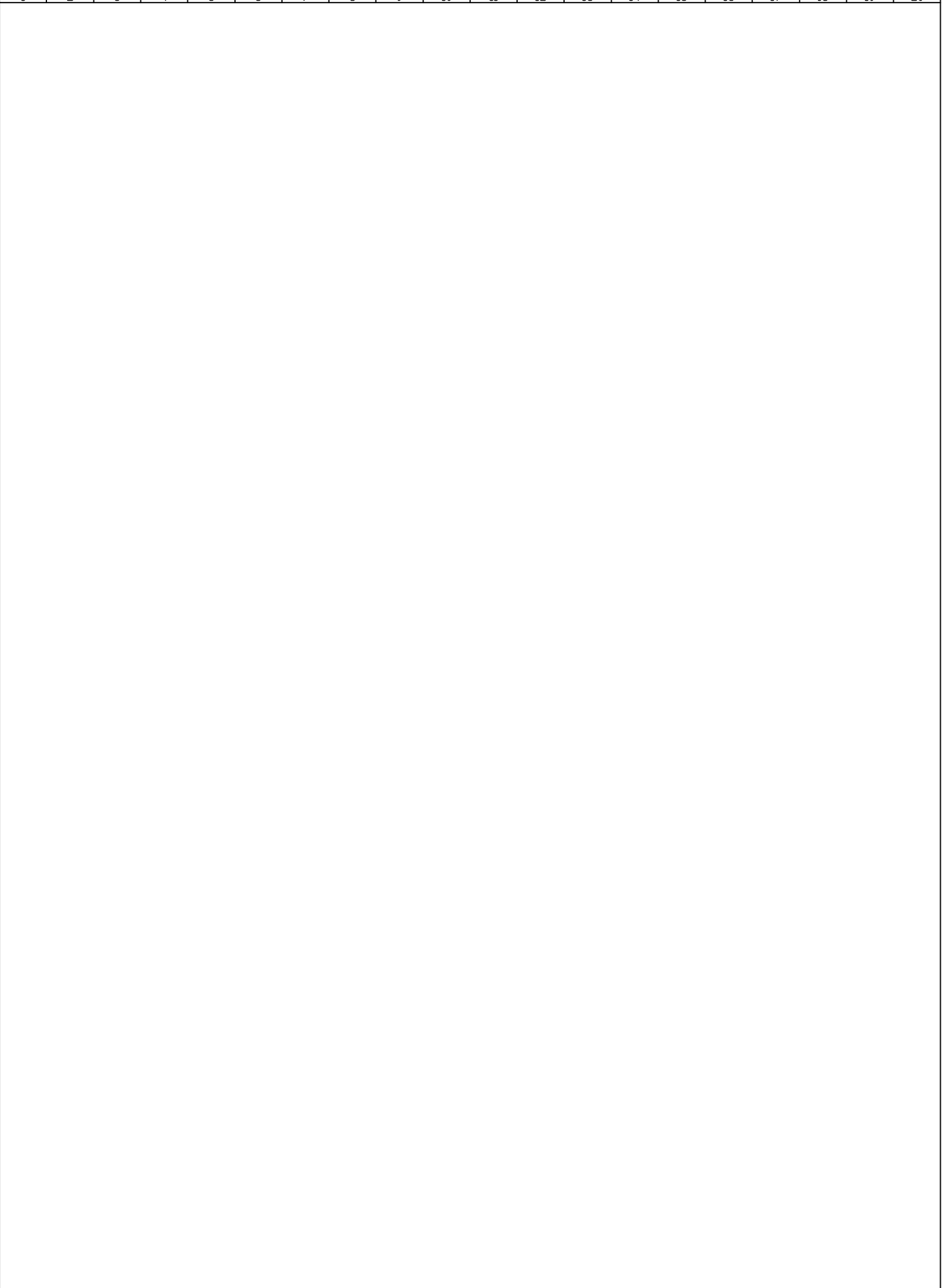
(1) BCK 040 NS
Sorties Automate CLIMATIC 50
Climatic 50 Controller Outputs


Dessine: CTO
Date: 06.06.08

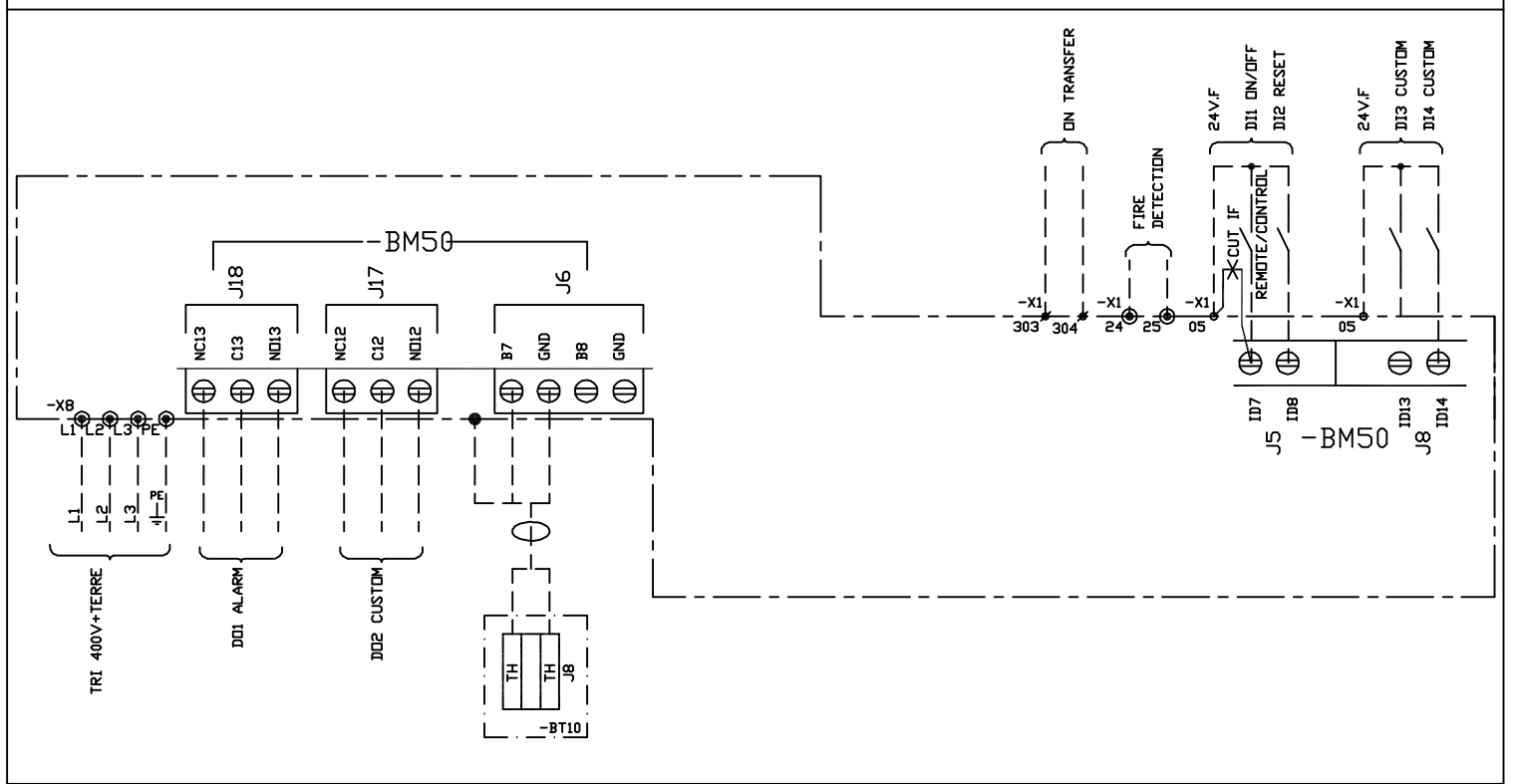
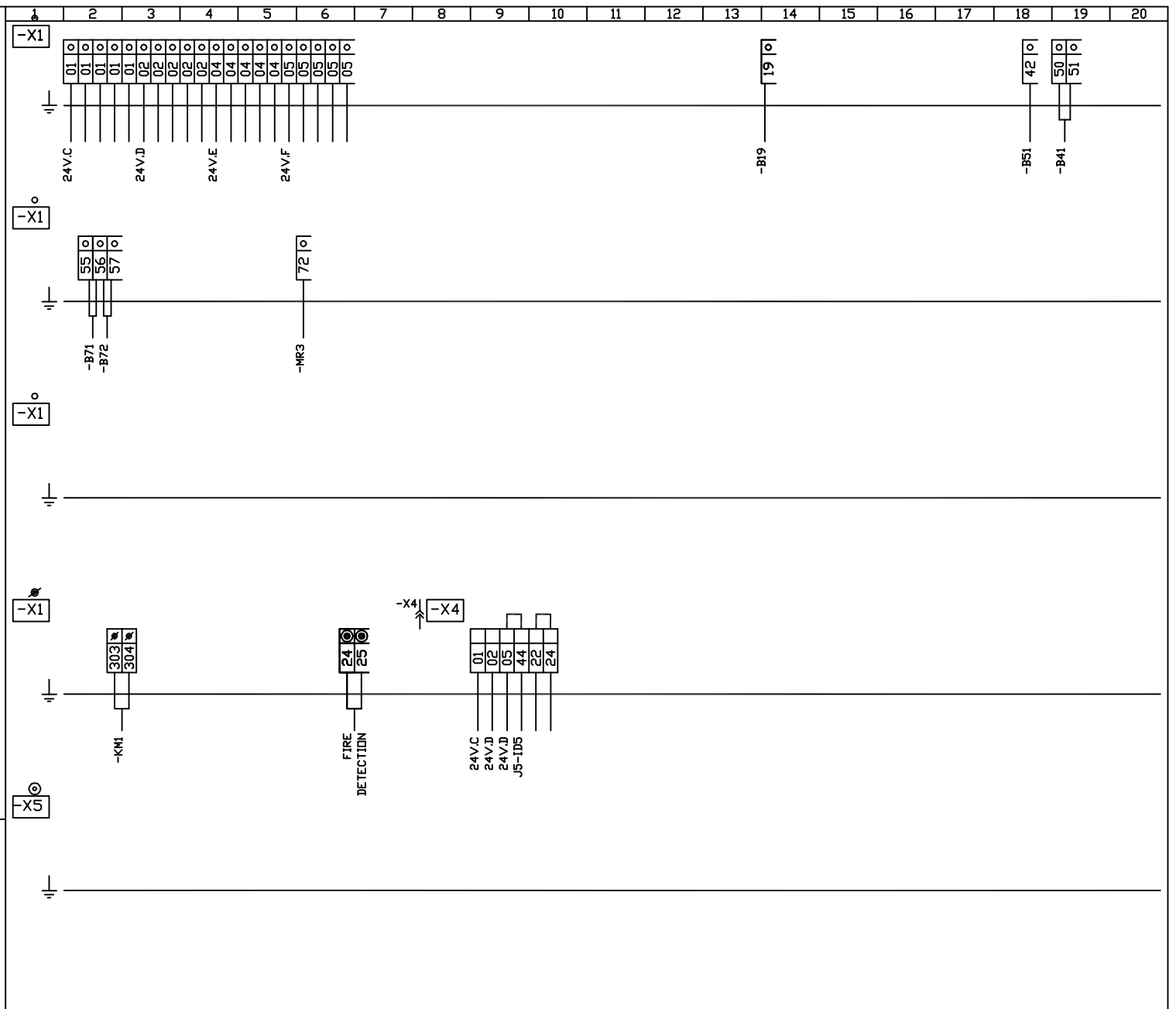


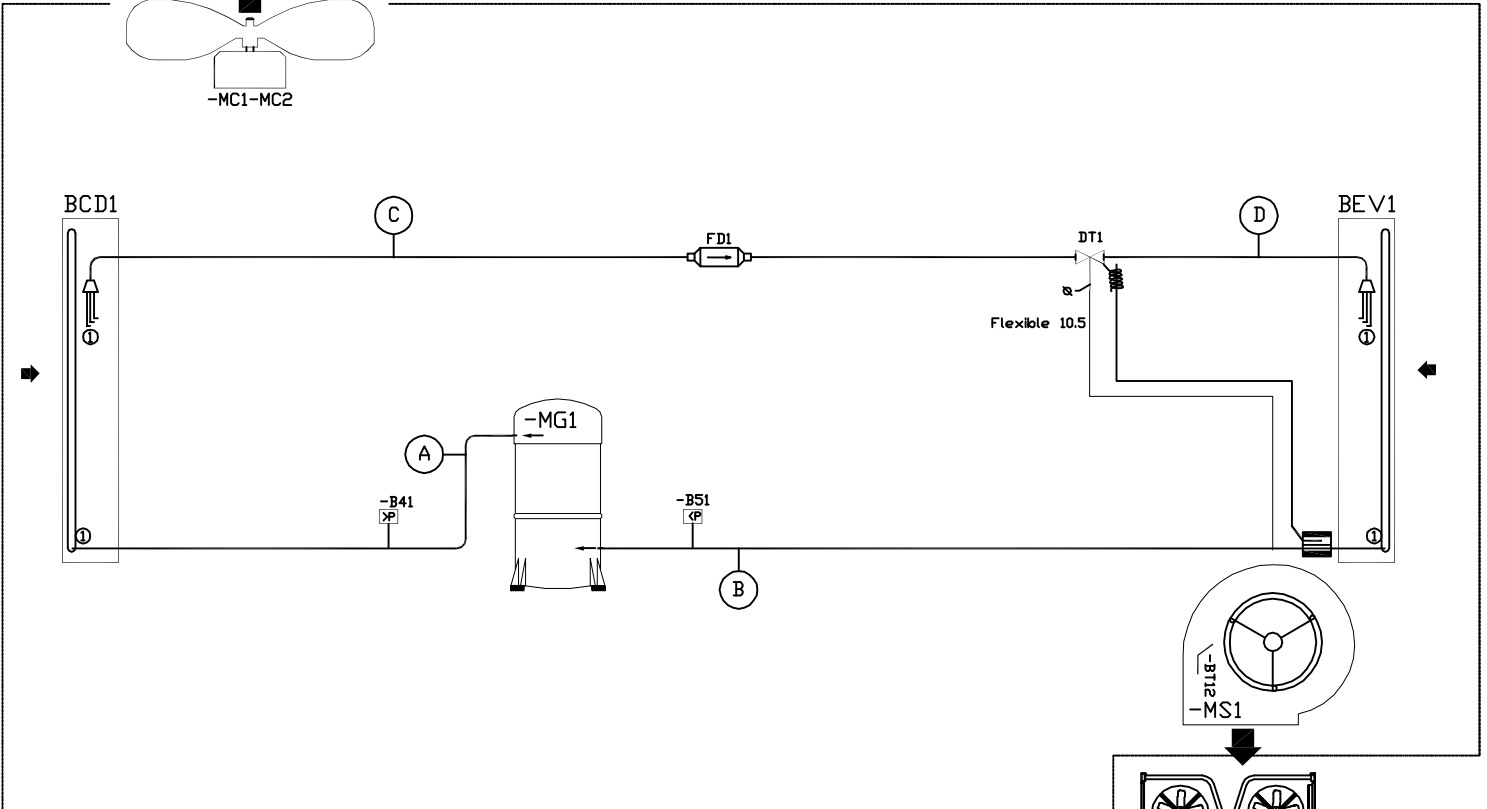
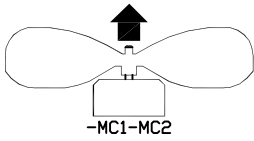
261163 4/11



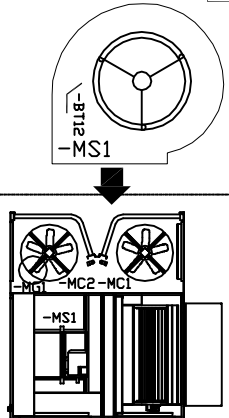


				(1) BCK 040 NS Kit chauffage GAS	Dessine: CTO Date: 06.06.08	 USINE DE LONGVIC	261163 6/11
Indice	DATE	NOM	MODIFICATIONS				





BOX	20	25
D	5/8"	5/8"
C	1/2"	1/2"
B	7/8"	1 1/8"
A	7/8"	7/8"



Indice	DATE	NOM	MODIFICATIONS

(1) BCK 040 NS
 Schéma Frigorifique \ Hydraulique
 Cooling \ Hydraulic Diagram

Dessine: CTO
 Date: 06.06.08



261163 9/11

