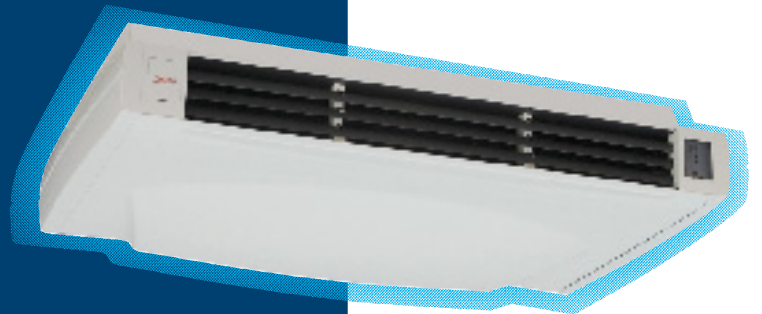


PRODUCT CATALOGUE



PROVIDING **GLOBAL SYSTEM** SOLUTIONS

SPLIT CEILING
WING



INTRODUCTION TO THE RANGE

- **TJCK:** "Cooling only" version
- **TJHK :** Reversible version
- **TCCK:** "Cooling only" and centrifugal condenser version
- **TCHK:** Reversible and centrifugal condenser version

RECOMMENDATION

This unit is ideal for small stores, shops, etc ...

CONSTRUCTION

- axial condenser section *(also available in centrifugal version)*
 - Scroll compressor
 - Corrosion-proofed casing
 - Low-speed fan
- Indoor section partially embedded in the false ceiling
 - ABS and galvanized steel casing allowing access to all components
 - 3-speed centrifugal ventilation
 - Heat-insulated condensate tray
 - Easily replaceable long-life washable filter
 - Automatic air flow orientation

The maximum height difference between the indoor and outdoor units is 15 metres, and the maximum distance between them is 25 metres.

CONTROL

- Electronic control
- 4 cooling modes and 2 heating modes
- Energy saving and slower night-time function
- 24-hour stop-start programming
- Electronic defrosting control (heat pump)
- Infrared control



■ GENERAL DATA - HELICOIDAL CONDENSING FAN

■ COOLING ONLY

WING		TJCK	030	036	036	048	060
Cooling mode							
Cooling capacity ⁽¹⁾		kW	8,0	8,8	8,8	11,7	13,1
Absorbed power		kW	2,9	3,27	3,27	4,3	5,1
Nominal current		A	18,84	20,26	8,86	11,39	14,19
Specifications							
Indoor unit airflow	maxi	m ³ /h	1300	1300	1300	2100	2100
	mini	m ³ /h	1100	1100	1100	1800	1800
Voltage			230/1/50	230/1/50	400/3/50	400/3/50	400/3/50
Compressor					Scroll		
Shut-off valve diameter	Liquid		3/8"	3/8"	3/8"	3/8"	3/8"
	Gaz		5/8"	3/4"	3/4"	3/4"	3/4"
Maximum length		m	25	25	25	25	25
Acoustic							
Indoor unit sound pressure (max / min airflow) ⁽²⁾		dB(A)	46/41	46/41	46/41	48/43	48/43
Outdoor unit sound pressure ⁽³⁾		dB(A)	43	43	43	46	46
Operating limits							
Maximum outside air temperature in cooling mode		°C			42		
Minimum outside air temperature in cooling mode		°C			-10		

■ HEAT PUMP

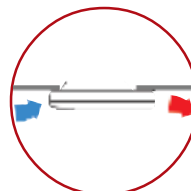
WING		TJHK	030	036	036	048	060
Cooling mode							
Cooling capacity ⁽¹⁾		kW	8,0	8,8	8,8	11,7	13,1
Absorbed power		kW	2,9	3,27	3,27	4,3	5,1
Nominal current		A	18,84	20,26	8,86	11,39	14,19
Heating mode - Heat pump							
Heating capacity ⁽⁴⁾		kW	7,9	9,0	9,0	11,8	13,5
Absorbed power		kW	2,74	3,32	3,32	4,0	4,9
Nominal current		A	18,84	20,26	8,86	11,39	14,19
Specifications							
Indoor unit airflow	maxi	m ³ /h	1300	1300	1300	2100	2100
	mini	m ³ /h	1100	1100	1100	1800	1800
Voltage			230/1/50	230/1/50	400/3/50	400/3/50	400/3/50
Compressor					Scroll		
Shut-off valve diameter	Liquid		3/8"	3/8"	3/8"	3/8"	3/8"
	Gaz		5/8"	3/4"	3/4"	3/4"	3/4"
Maximum length		m	25	25	25	25	25
Acoustic							
Indoor unit sound pressure (max / min airflow) ⁽²⁾		dB(A)	46/41	46/41	46/41	48/43	48/43
Outdoor unit sound pressure ⁽³⁾		dB(A)	43	43	43	46	46
Operating limits							
Maximum outside air temperature in cooling mode		°C			42		
Minimum outside air temperature in heating mode		°C			-10		

(1) Eurovent conditions

(2) Measured at 2 m from the unit, dimensions of the part depend on the dimensions of the unit

(3) Measured at 10 m from the unit, in free field conditions

(4) Eurovent conditions



■ GENERAL DATA - CENTRIFUGAL CONDENSING FAN

■ COOLING ONLY

WING		TCKK	030	036	036	048	060
Cooling mode							
Cooling capacity ⁽¹⁾		kW	8,0	8,7	8,7	11,3	13,2
Absorbed power		kW	3,22	3,7	3,7	4,6	5,58
Nominal current		A	18,67	19,97	8,57	12,94	15,44
Specifications - Indoor unit							
Airflow	maxi	m ³ /h	1300	1300	1300	2100	2100
	mini	m ³ /h	1100	1100	1100	1800	1800
Voltage			230/1/50	230/1/50	400/3/50	400/3/50	400/3/50
Compressor					Scroll		
Shut-off valve diameter	Liquid		3/8"	3/8"	3/8"	3/8"	3/8"
	Gaz		5/8"	3/4"	3/4"	3/4"	3/4"
Maximum length		m	25	25	25	25	25
Specifications - Outdoor unit							
Airflow	maxi	m ³ /h	3150	3100	3100	3400	4950
	mini	m ³ /h	2000	2000	2000	2400	3750
Available static pressure		Pa	110	100	100	90	120
Acoustic							
Indoor unit sound pressure	(max / min airflow) ⁽²⁾	dB(A)	46/41	46/41	46/41	48/43	48/43
Outdoor unit sound pressure ⁽³⁾		dB(A)	41	41	41	43	45
Operating limits							
Maximum outside air temperature in cooling mode		°C			46		
Minimum outside air temperature in heating mode		°C			-8		

■ HEAT PUMP

WING		TCHK	030	036	036	048	060
Cooling mode							
Cooling capacity ⁽¹⁾		kW	8,0	8,7	8,7	11,3	13,2
Absorbed power		kW	3,22	3,7	3,7	4,6	5,58
Nominal current		A	18,67	19,97	8,57	12,94	15,44
Heating mode - Heat pump							
Heating capacity ⁽⁴⁾		kW	8,15	9,1	9,1	11,3	14,2
Absorbed power		kW	3,05	3,5	3,5	3,9	5,52
Nominal current		A	18,67	19,97	8,57	12,94	15,44
Specifications - Indoor unit							
Airflow	maxi	m ³ /h	1300	1300	1300	2100	2100
	mini	m ³ /h	1100	1100	1100	1800	1800
Voltage			230/1/50	230/1/50	400/3/50	400/3/50	400/3/50
Compressor					Scroll		
Shut-off valve diameter	Liquid		3/8"	3/8"	3/8"	3/8"	3/8"
	Gaz		5/8"	3/4"	3/4"	3/4"	3/4"
Maximum length		m	25	25	25	25	25
Specifications - Outdoor unit							
Airflow	maxi	m ³ /h	3150	3100	3100	3400	4950
	mini	m ³ /h	2000	2000	2000	2400	3750
Available static pressure		Pa	110	100	100	90	120
Acoustic							
Indoor unit sound pressure	(max / min airflow) ⁽²⁾	dB(A)	46/41	46/41	46/41	48/43	48/43
Outdoor unit sound pressure ⁽³⁾		dB(A)	41	41	41	43	45
Operating limits							
Maximum outside air temperature in cooling mode		°C			46		
Minimum outside air temperature in heating mode		°C			-8		

(1) Eurovent conditions

(2) Measured at 2 m from the unit, dimensions of the part depend on the dimensions of the unit

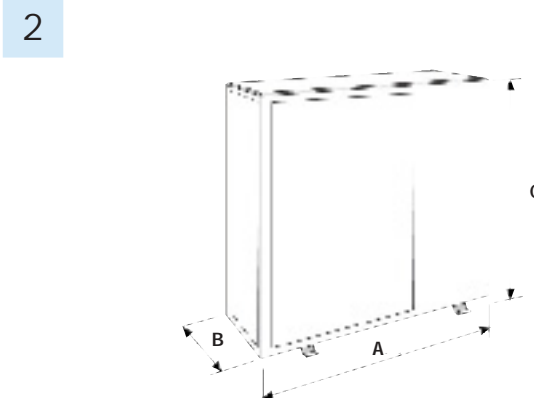
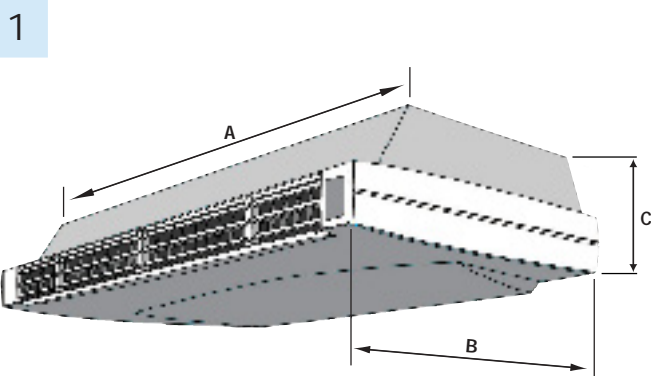
(3) Measured at 10 m from the unit, standard absorption, duct according to the unit

(4) Eurovent conditions



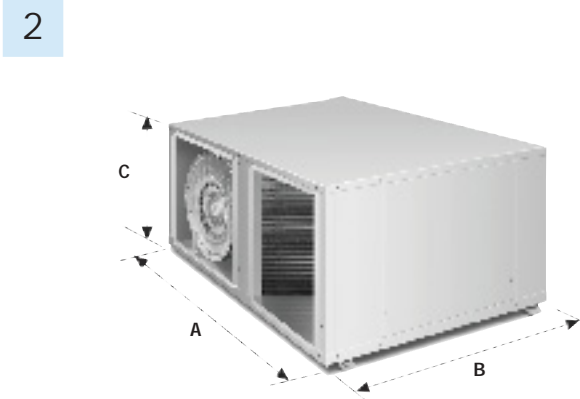
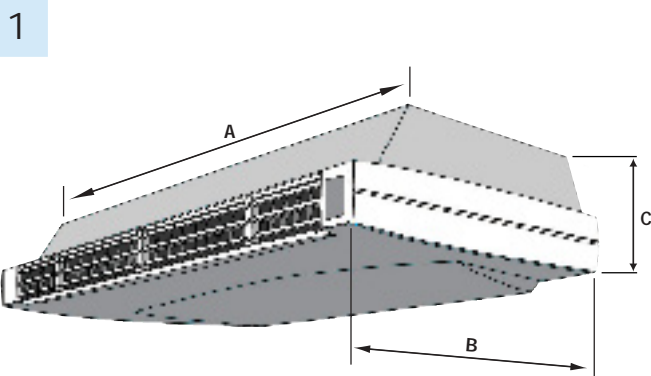
PHYSICAL DATA

HELICOIDAL CONDENSING FAN



WING	TJCK / TJHK	030	036	048	060
Indoor unit	LTX	036	036	060	060
View		1	1	1	1
A	mm	1409	1409	1719	1719
B	mm	656	656	756	756
C	mm	267	267	312	312
Weight	kg	40	40	57	57
Outdoor unit	KJCK / KJHK	030	036	048	060
View		2	2	2	2
A	mm	973	973	973	973
B	mm	333	333	333	333
C	mm	781	781	1235	1235
Weight - Cooling only	kg	70	73	99	109
Weight - Heat pump	kg	72	76	102	112

CENTRIFUGAL CONDENSING FAN



WING	TCKK / TCHK	030	036	048	060
Indoor unit	LTX	036	036	060	060
View		1	1	1	1
A	mm	1409	1409	1719	1719
B	mm	656	656	756	756
C	mm	267	267	312	312
Weight	kg	40	40	57	57
Outdoor unit	KCKK / KCHK	030	036	048	060
View		2	2	2	2
A	mm	1050	1050	1250	1250
B	mm	750	750	820	820
C	mm	505	505	495	495
Weight - Cooling only	kg	87	90	135	180
Weight - Heat pump	kg	92	94	140	185



**BELGIUM,
LUXEMBOURG :** LENNOX BENELUX N.V./S.A.
tel. : + 32 3 633 30 45
fax : + 32 3 633 00 89
e-mail : info.be@lennoxbenelux.com

CZECH REPUBLIC : JANKA LENNOX a.s.
tel. : + 420 2 510 88 111
fax : + 420 2 579 10 393
e-mail : janka@janka.cz

FRANCE : LENNOX FRANCE
tel. : + 33 1 64 76 23 23
fax : + 33 1 64 76 35 75
e-mail : marketing.france@lennoxfrance.com

GERMANY : LENNOX DEUTSCHLAND GmbH
tel. : + 49 69 42 09790
fax : + 49 69 42 09 79 40
e-mail : info.de@lennoxdeutschland.com

NETHERLANDS : LENNOX BENELUX B.V.
tel. : + 31 33 2471 800
fax : + 31 33 2459 220
e-mail : info@lennoxbenelux.com

POLAND : LENNOX POLSKA Sp. z o.o.
tel. : + 48 22 832 26 61
fax : + 48 22 832 26 62
e-mail : info@lennoxpolska.pl

PORTUGAL : LENNOX PORTUGAL LDA.
tel. : +351 22 998 33 70
fax : +351 22 998 33 79
e-mail : info@lennoxportugal.com

RUSSIA : LENNOX DISTRIBUTION MOSCOW
tel. : + 7 095 246 07 46
fax : + 7 502 933 29 55
e-mail : lennox.dist.moscow@netmaster.ru

SLOVAKIA : LENNOX SLOVENSKO s.r.o.
tel. : + 421 2 44 87 19 27
fax : + 421 2 44 88 64 72
e-mail : lennox.slovensko@lennox.sk

SPAIN : LENNOX REFAC S.A.
tel. : + 34 915 40 18 10
fax : + 34 915 42 84 04
e-mail : marketing@lennox-refac.com

UKRAINE : LENNOX DISTRIBUTION KIEV
tel. : + 380 44 213 14 21
fax : + 380 44 213 14 21
e-mail : jankauk@uct.kiev.ua

**UNITED KINGDOM ,
IRELAND :** LENNOX INDUSTRIES LTD
tel. : + 44 1604 599400
fax : + 44 1604 594200
e-mail : ukmarketing@lennoxind.com

**OTHER EUROPEAN COUNTRIES,
AFRICA,
MIDDLE-EAST :** LENNOX DISTRIBUTION
tel. : + 33 4 72 23 20 14
fax : + 33 4 72 23 20 28
e-mail : marketing@lennoxdist.com



LENNOX®

www.lennox europe.com

WING-PCA-0603-E

Due to Lennox's ongoing commitment to quality, Specifications, Ratings and Dimensions subject to change without notice and without incurring liability. Improper installation, adjustment, alteration, service or maintenance can cause property damage or personal injury. Installation and service must be performed by a qualified installer and servicing agency.